



US00D708963S

(12) **United States Design Patent**
Redpath et al.

(10) **Patent No.:** **US D708,963 S**

(45) **Date of Patent:** **** *Jul. 15, 2014**

(54) **SPECIALTY LIGHTING PACKAGING ENCLOSURE**

(76) Inventors: **Richard Redpath**, Cary, NC (US);
Daniel Stewart Hamilton, Raleigh, NC (US)

(*) Notice: This patent is subject to a terminal disclaimer.

(**) Term: **14 Years**

(21) Appl. No.: **29/392,545**

(22) Filed: **May 23, 2011**

(51) **LOC (10) Cl.** **09-03**

(52) **U.S. Cl.**
USPC **D9/750**

(58) **Field of Classification Search**
USPC D9/737, 750, 414, 420, 423, 431, 433;
D27/189; 206/266, 268, 271, 273, 320,
206/418, 104; 229/100, 212, 225, 125.42,
229/160.1, 932

See application file for complete search history.

(56) **References Cited**

U.S. PATENT DOCUMENTS

1,838,269	A *	12/1931	Langford et al.	206/418
D157,759	S *	3/1950	Harper	D9/750
3,050,230	A *	8/1962	Cohane et al.	206/418
3,734,397	A *	5/1973	Cote	206/418

D245,399	S *	8/1977	Walker	D9/750
4,749,083	A *	6/1988	Growney	206/418
4,773,539	A *	9/1988	Nock	206/418
5,038,939	A *	8/1991	Van Hest	206/418
6,752,263	B2 *	6/2004	Dubsky	206/418
D591,899	S *	5/2009	Bray et al.	D27/189
D662,411	S *	6/2012	Tearle	D9/423
D668,142	S *	10/2012	Turner	D9/423
D679,178	S *	4/2013	Villiers et al.	D9/431

* cited by examiner

Primary Examiner — Brian N Vinson

(74) *Attorney, Agent, or Firm* — Ming Chow; Sinorica, LLC

(57) **CLAIM**

The ornamental design for a specialty lighting packaging enclosure, as shown and described.

DESCRIPTION

FIG. 1 is a top, front, and right side perspective view of a specialty lighting packaging enclosure showing our new design;

FIG. 2 is a top, front, and left side perspective view thereof; FIG. 3 is top, front, and right side perspective view thereof, shown in an opened position;

FIG. 4 is a front elevational view thereof;

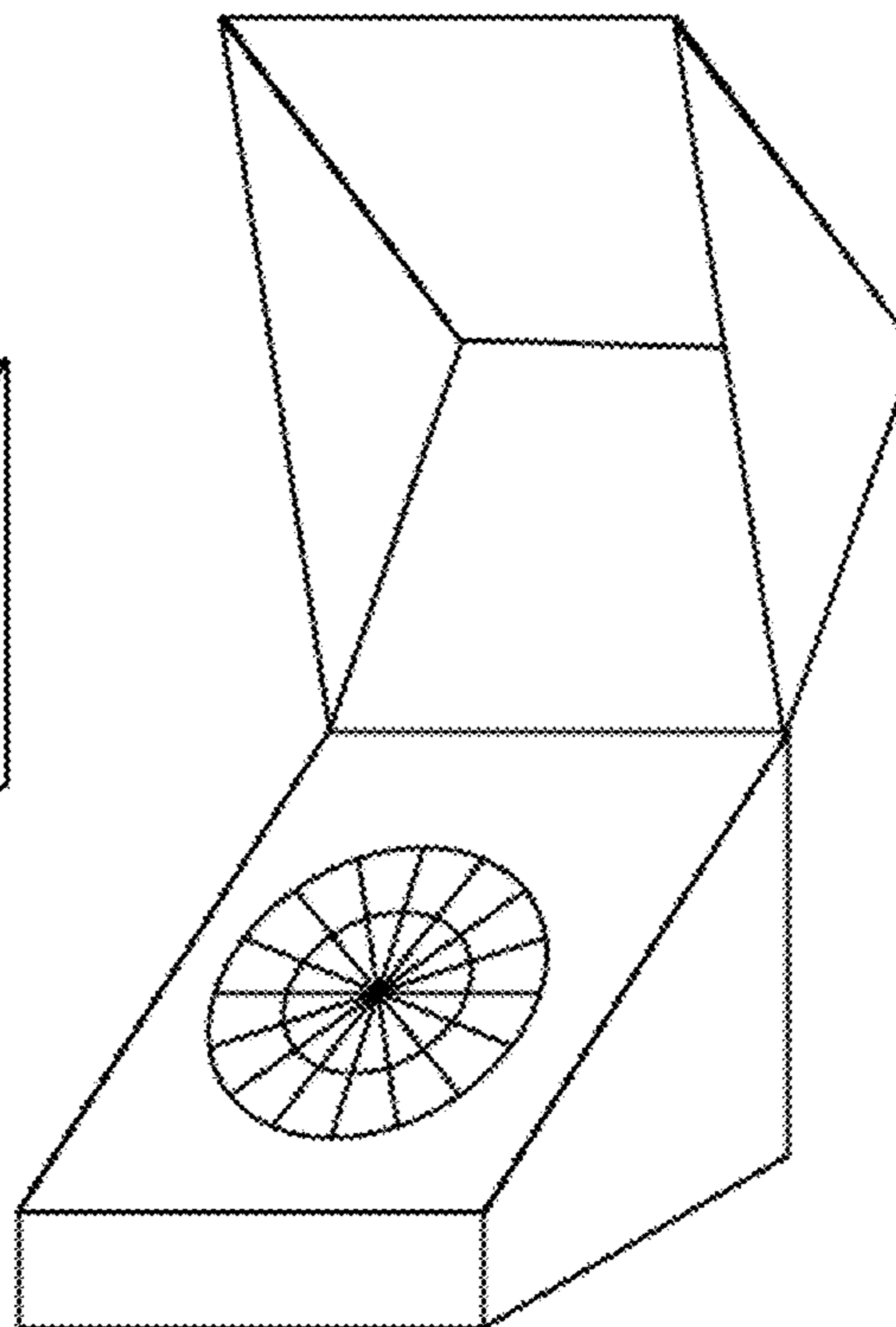
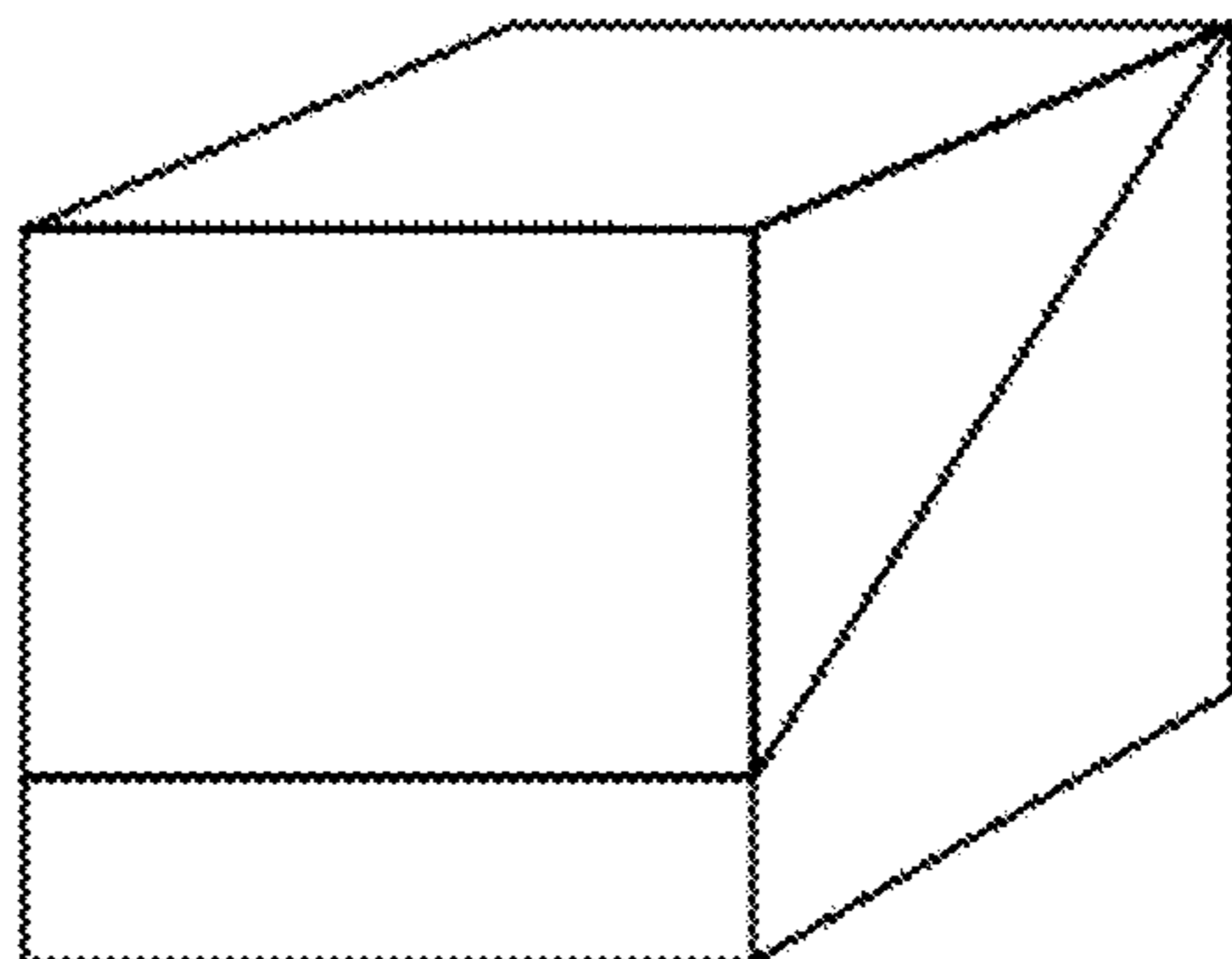
FIG. 5 is a rear elevational view thereof;

FIG. 6 is a left side elevational view thereof;

FIG. 7 is a right side elevational view thereof; and,

FIG. 8 is a bottom plan view thereof.

1 Claim, 5 Drawing Sheets



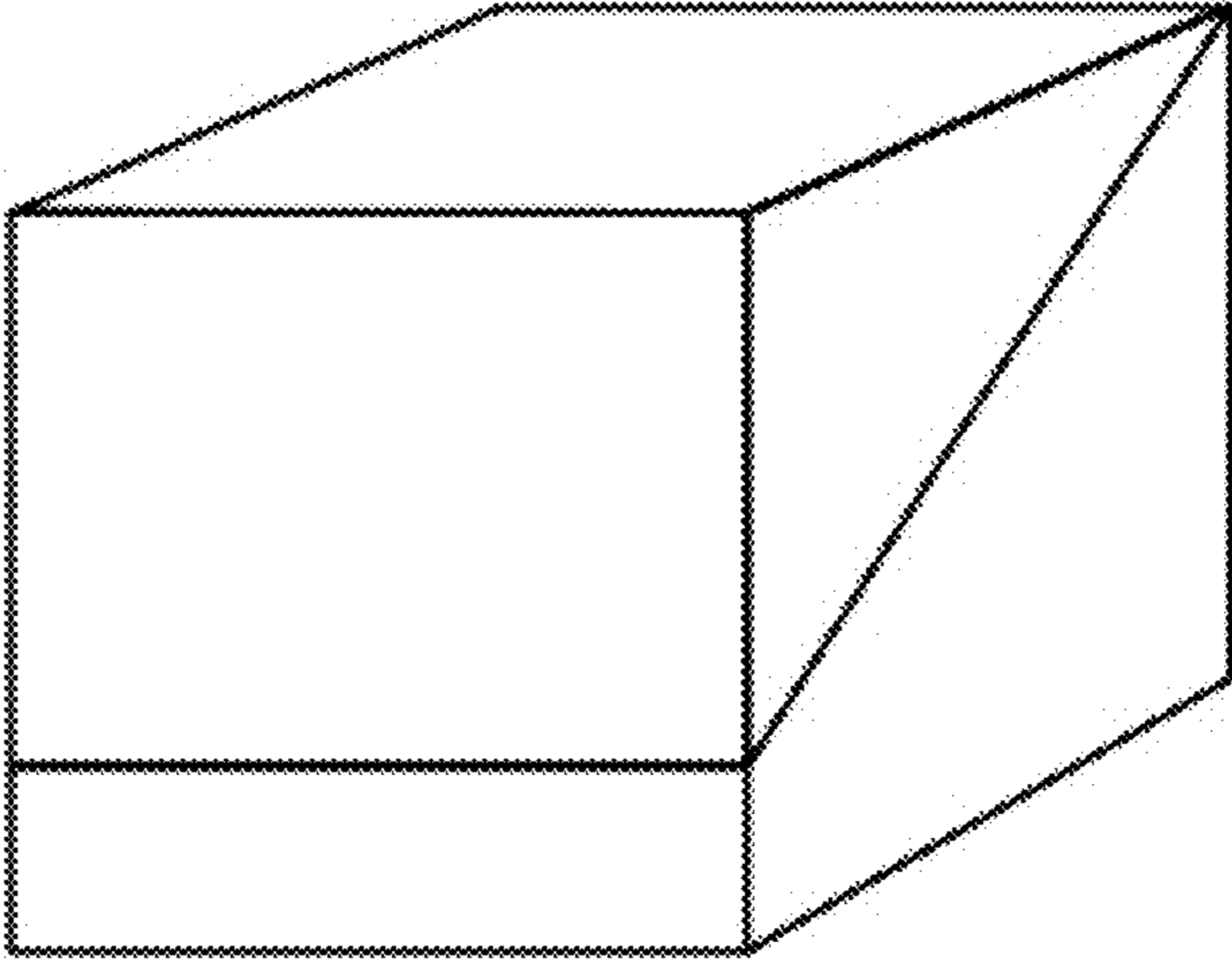


FIG. 1

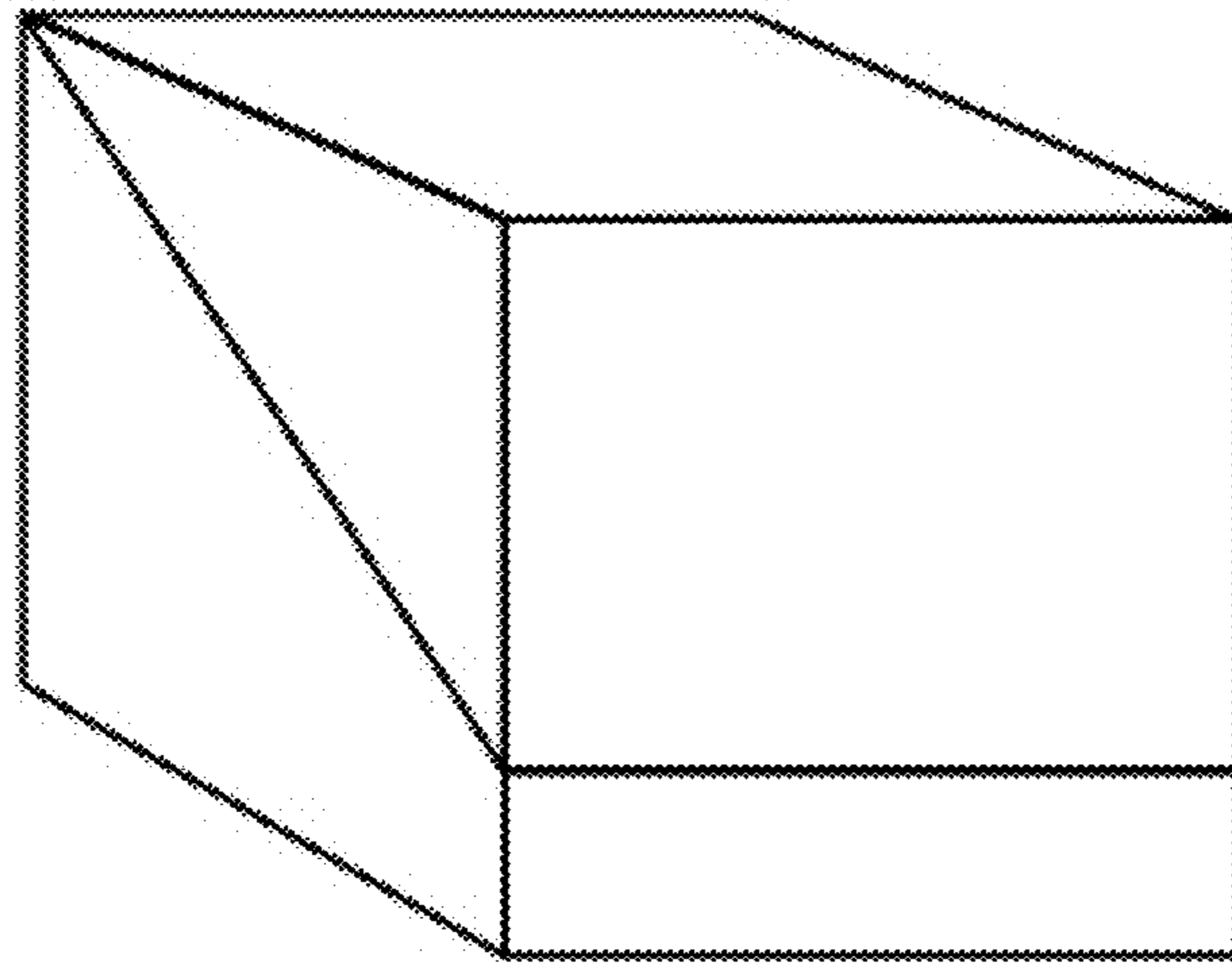


FIG. 2

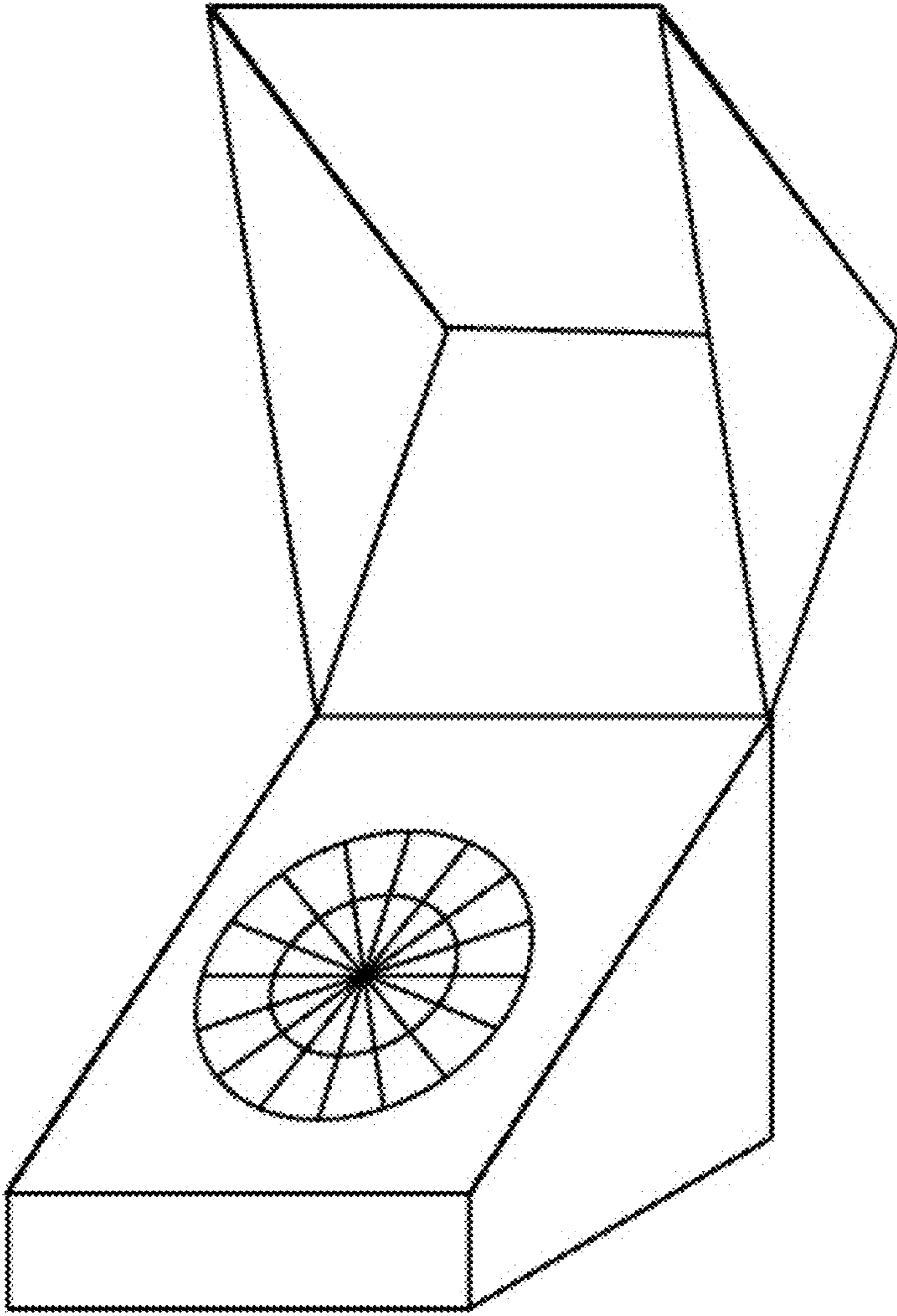


FIG. 3

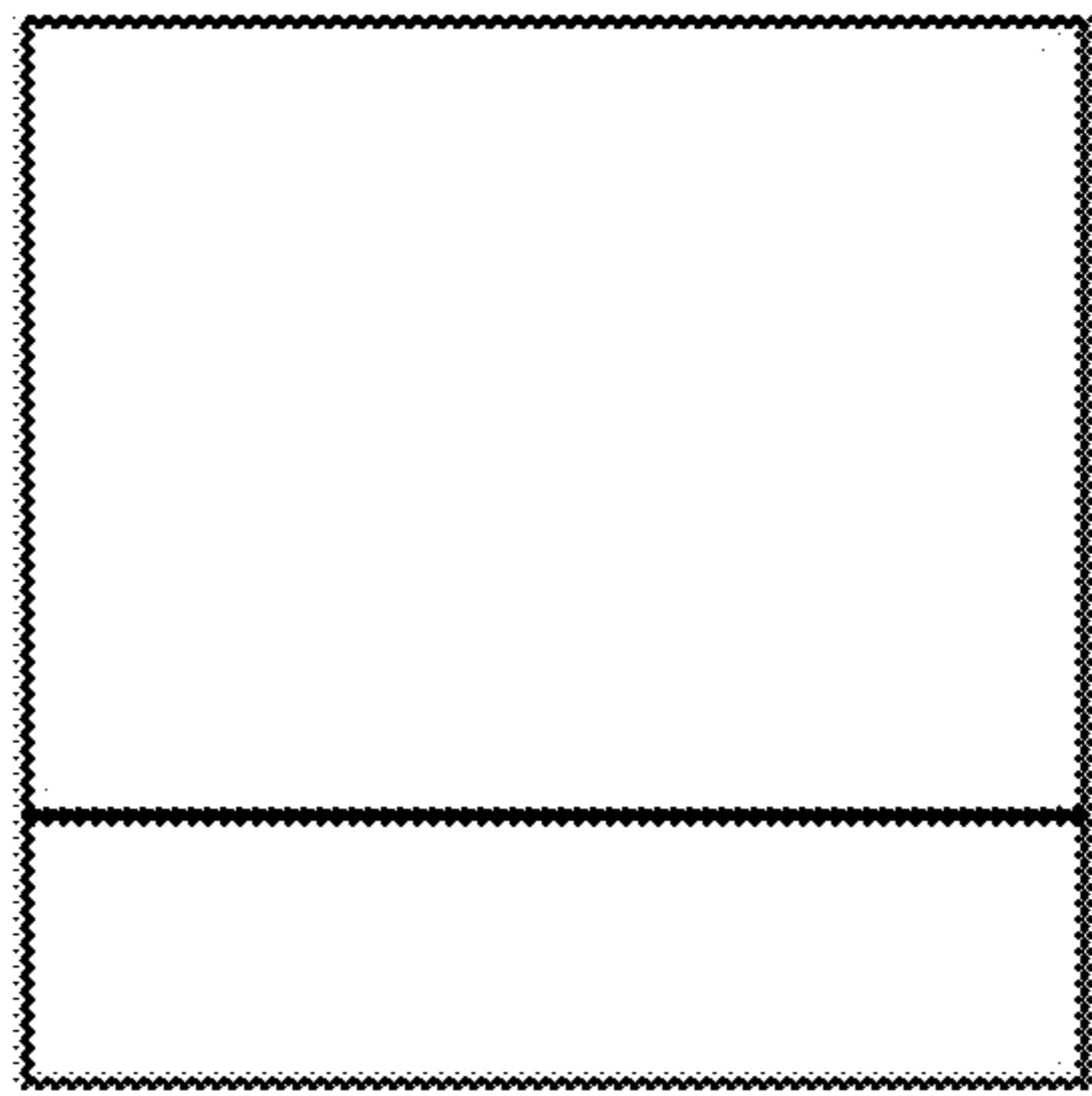


FIG. 4

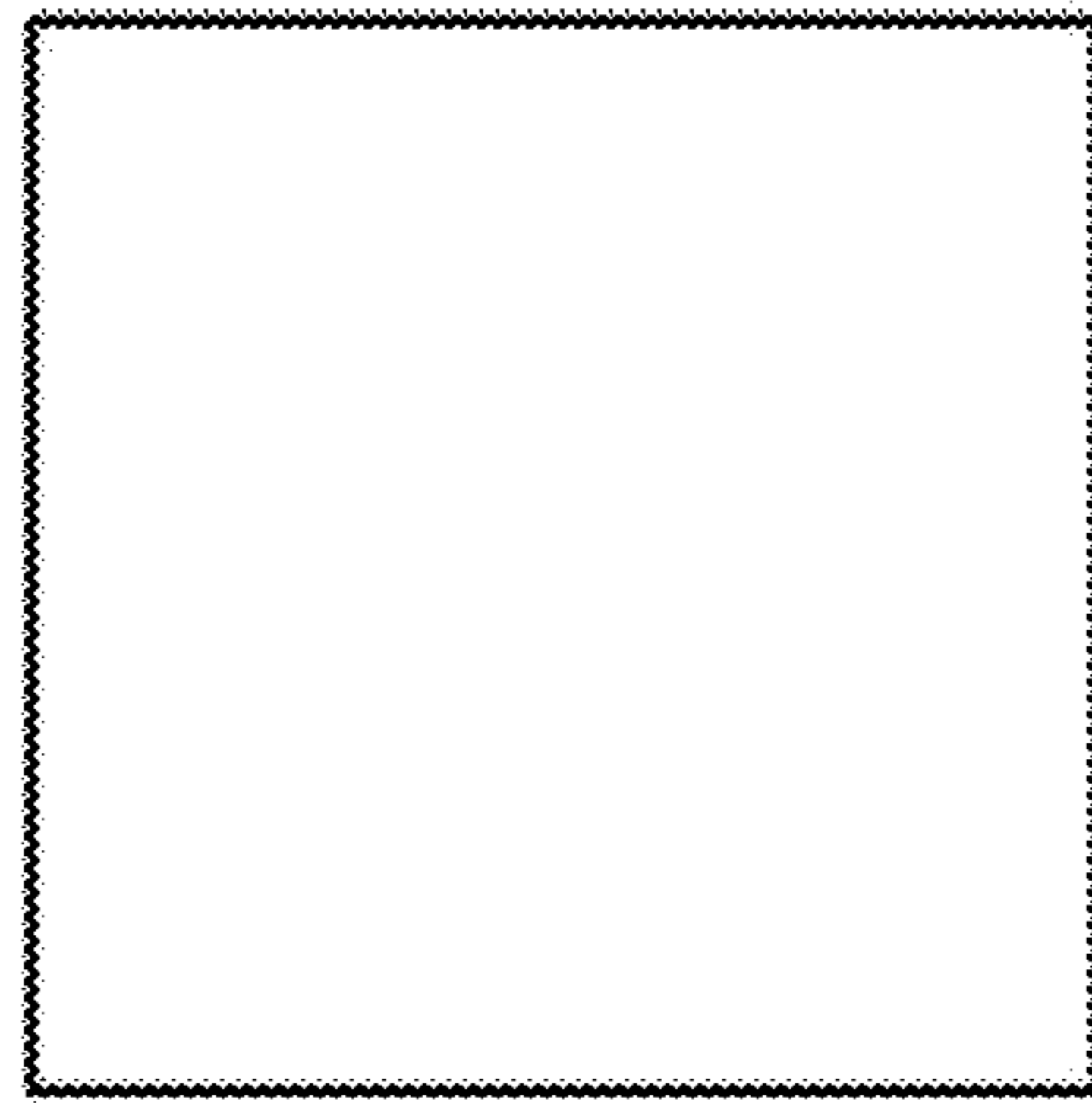


FIG. 5

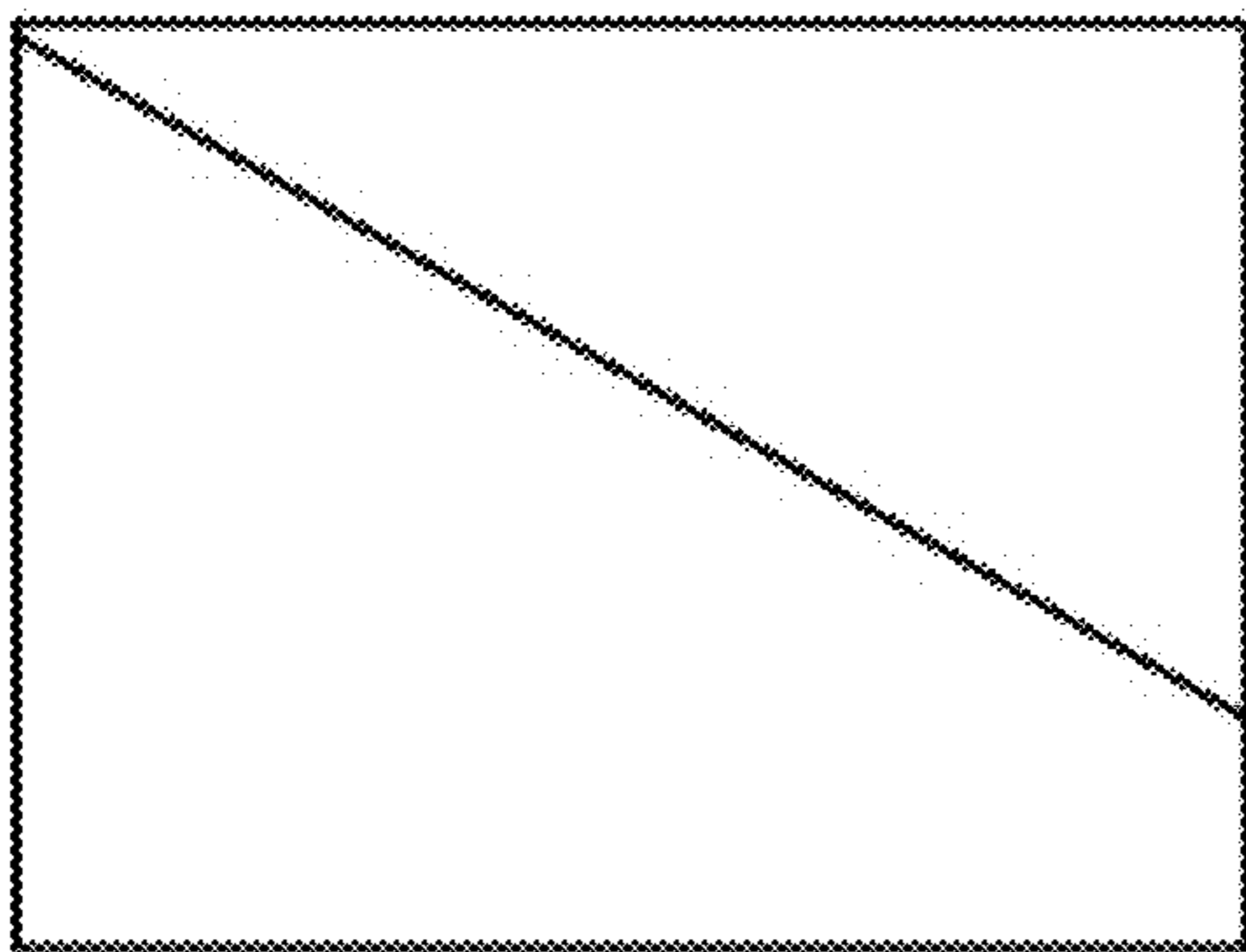


FIG. 6

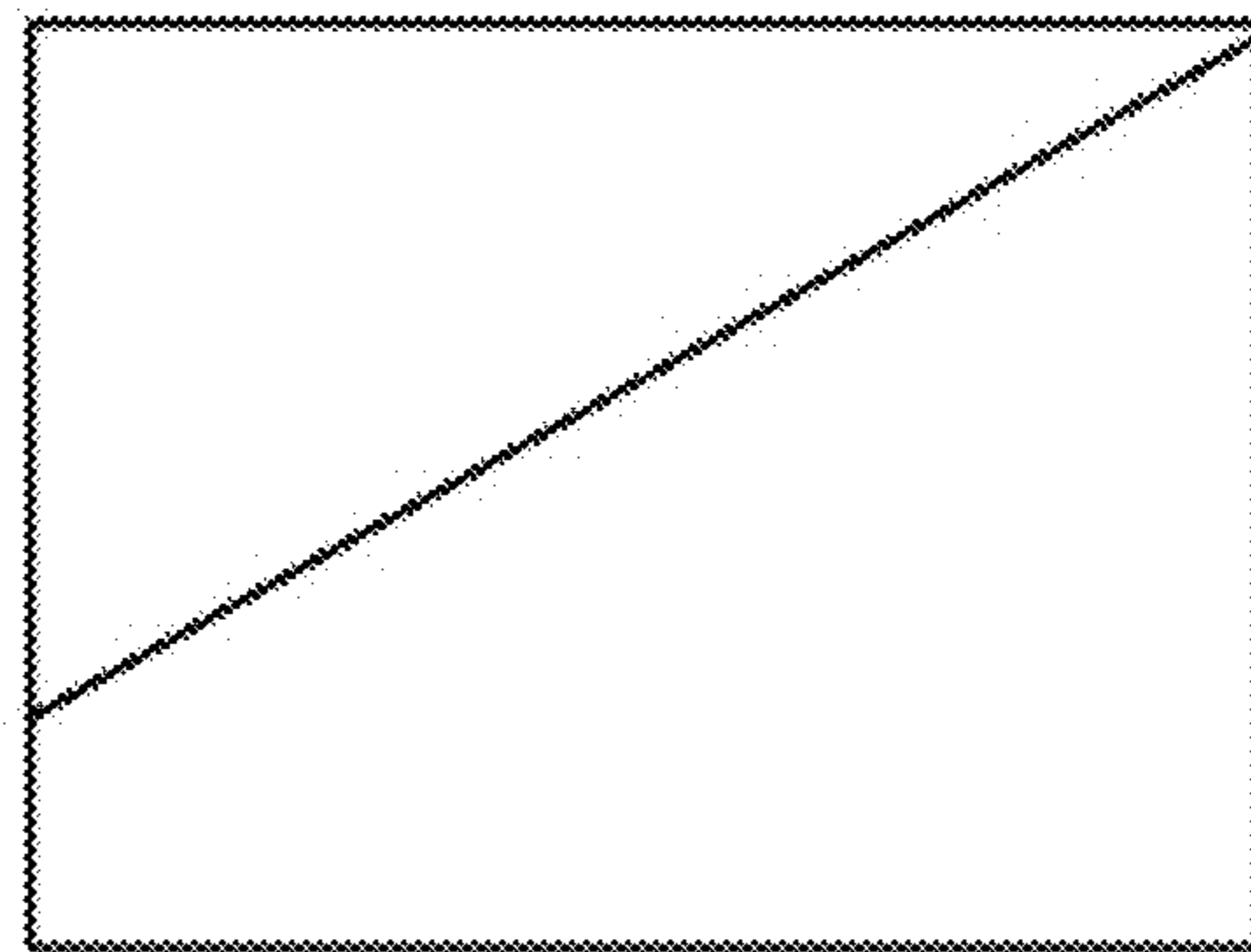


FIG. 7

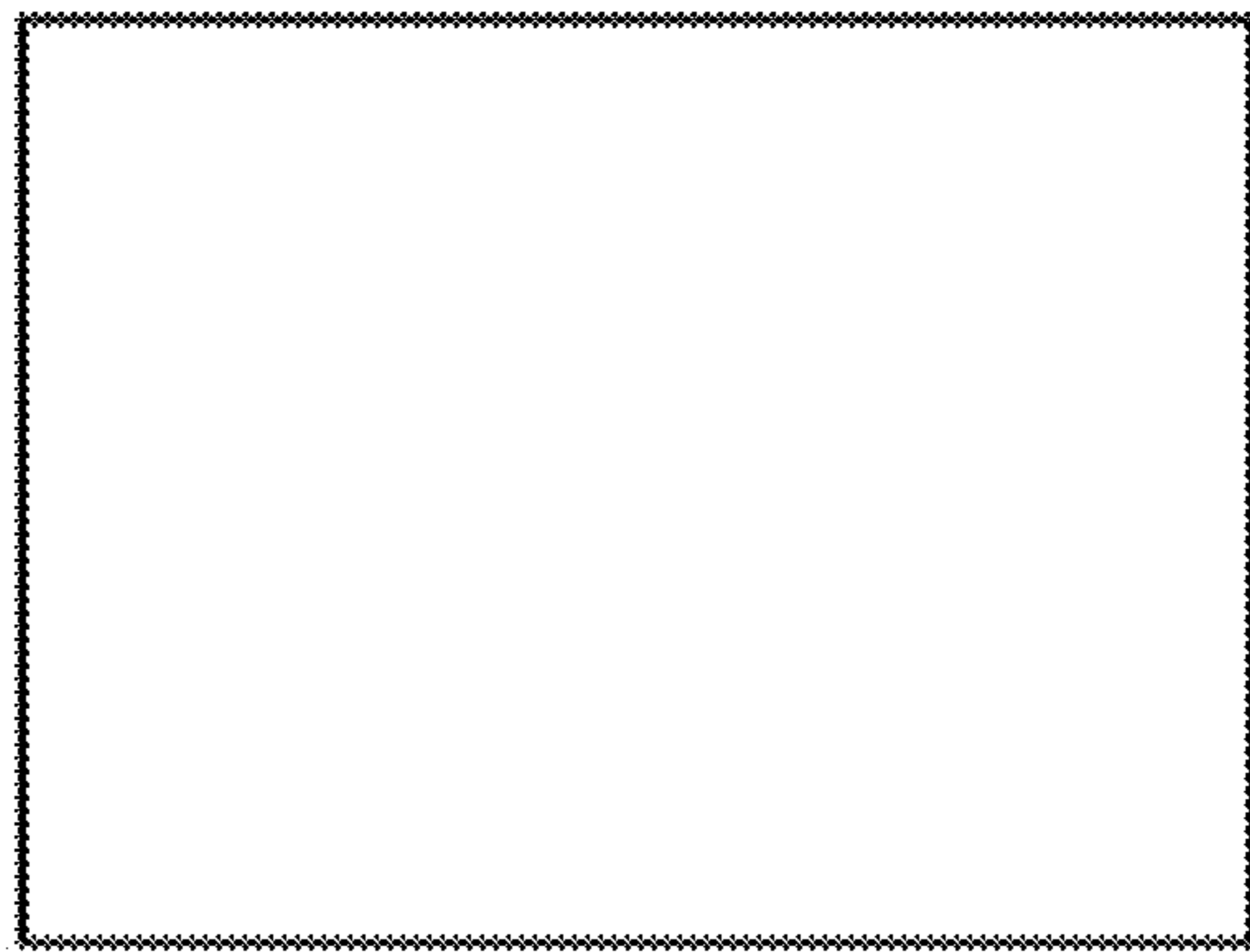


FIG. 8