



US00D708960S

(12) **United States Design Patent**
Lin

(10) **Patent No.:** **US D708,960 S**
(45) **Date of Patent:** **** Jul. 15, 2014**

(54) **LOTION BOTTLE**

(71) Applicant: **Yueh-Hwa Lin**, New Taipei (TW)

(72) Inventor: **Yueh-Hwa Lin**, New Taipei (TW)

(**) Term: **14 Years**

(21) Appl. No.: **29/454,450**

(22) Filed: **May 10, 2013**

(51) **LOC (10) Cl.** **09-01**

(52) **U.S. Cl.**
USPC **D9/692**

(58) **Field of Classification Search**
USPC D9/682-694, 500-505, 516-575,
D9/434-436, 447-449; 215/379-385;
220/669-675

See application file for complete search history.

(56) **References Cited**

U.S. PATENT DOCUMENTS

D110,262 S *	6/1938	Steuer	D9/502
D200,444 S *	2/1965	Bijvoet et al.	D34/39
D351,341 S *	10/1994	Hung	D9/719
D378,492 S *	3/1997	Salle	D9/690
D412,661 S *	8/1999	Lavigne	D9/690
D428,814 S *	8/2000	Silvers et al.	D9/502
D474,021 S *	5/2003	Lenaerts	D3/302
D477,778 S *	7/2003	Dretzka	D6/542

D477,990 S *	8/2003	Dretzka	D6/542
D496,262 S *	9/2004	Dretzka	D6/542
D537,360 S *	2/2007	Snell	D6/542
D557,612 S *	12/2007	Slimane et al.	D9/687
D596,042 S *	7/2009	Chen	D9/690
D641,629 S *	7/2011	Miceli et al.	D9/502
2005/0218159 A1 *	10/2005	Hour	222/321.7

* cited by examiner

Primary Examiner — Catherine Tuttle

(74) *Attorney, Agent, or Firm* — Rosenberg, Klein & Lee

(57) **CLAIM**

The ornamental design for a lotion bottle, as shown and described.

DESCRIPTION

FIG. 1 is a perspective view of a lotion bottle showing my new design;

FIG. 2 is a front elevational view thereof;

FIG. 3 is a rear elevational view thereof;

FIG. 4 is a left side elevational view thereof;

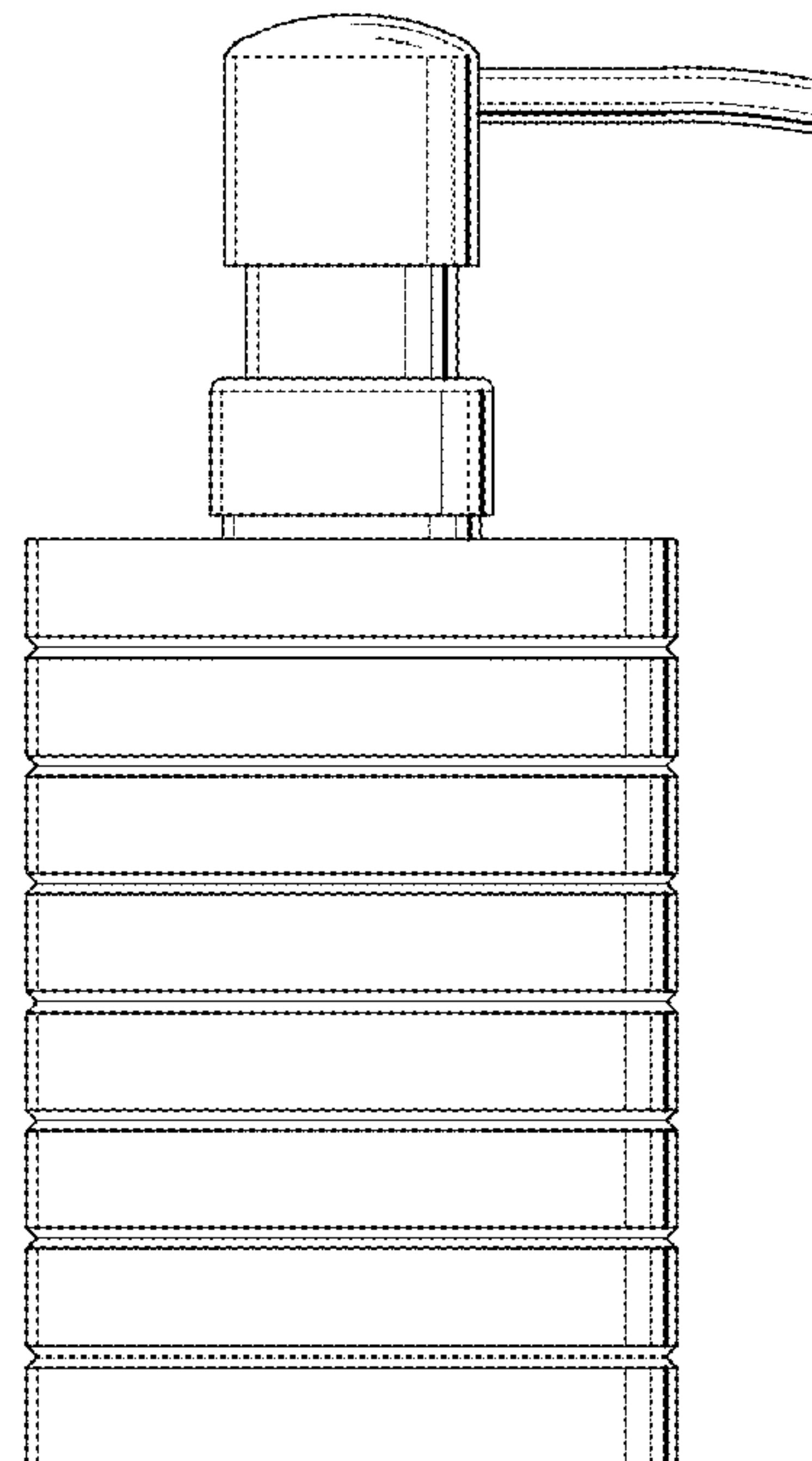
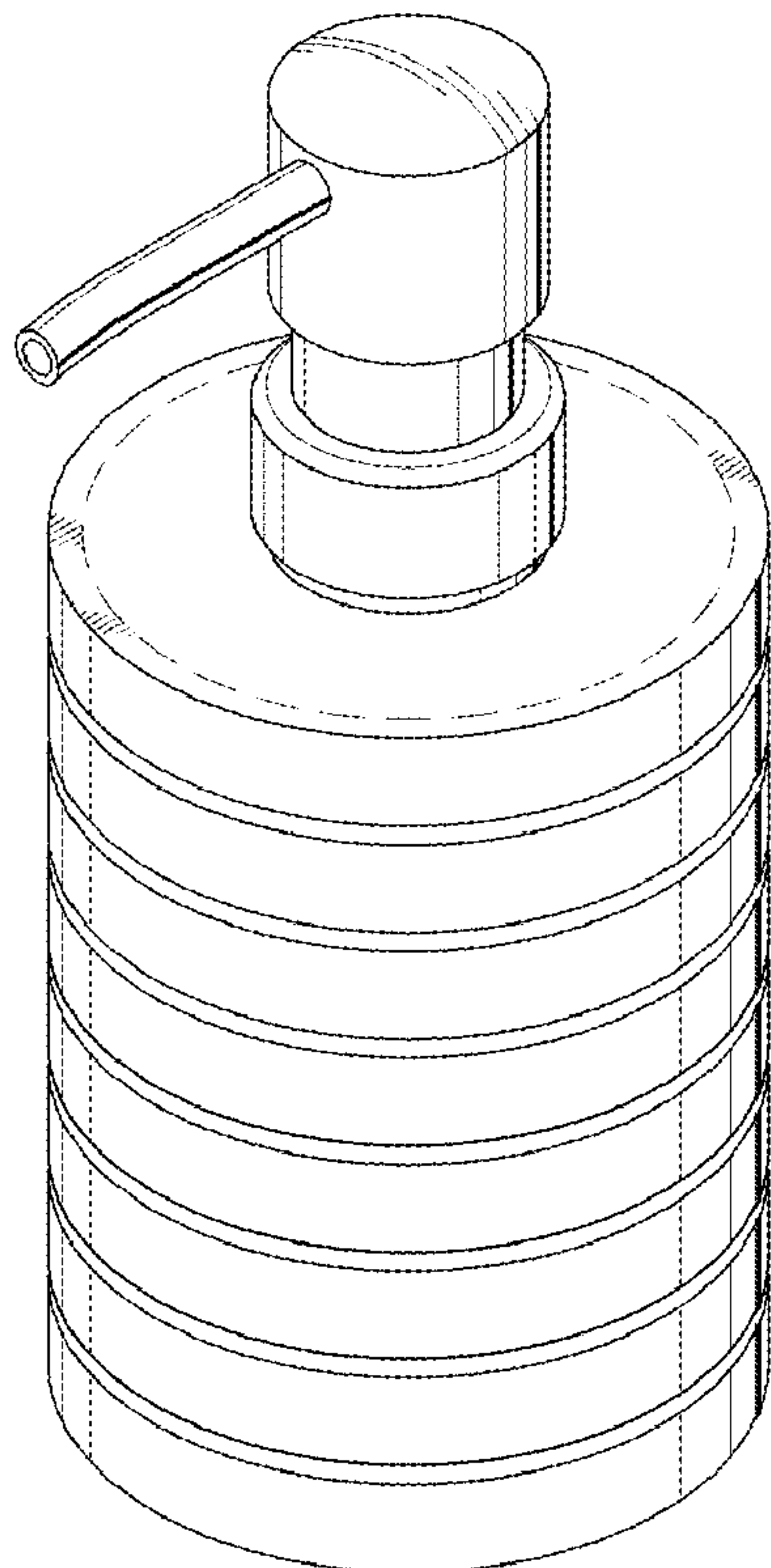
FIG. 5 is a right side elevational view thereof;

FIG. 6 is a top plan view thereof; and,

FIG. 7 is a bottom plan view thereof.

The broken line shown in the FIGS. 1 and 6 is included for the purpose of illustrating the unclaimed portion of the lotion bottle that includes the unshaded area(s) adjacent to the broken line.

1 Claim, 7 Drawing Sheets



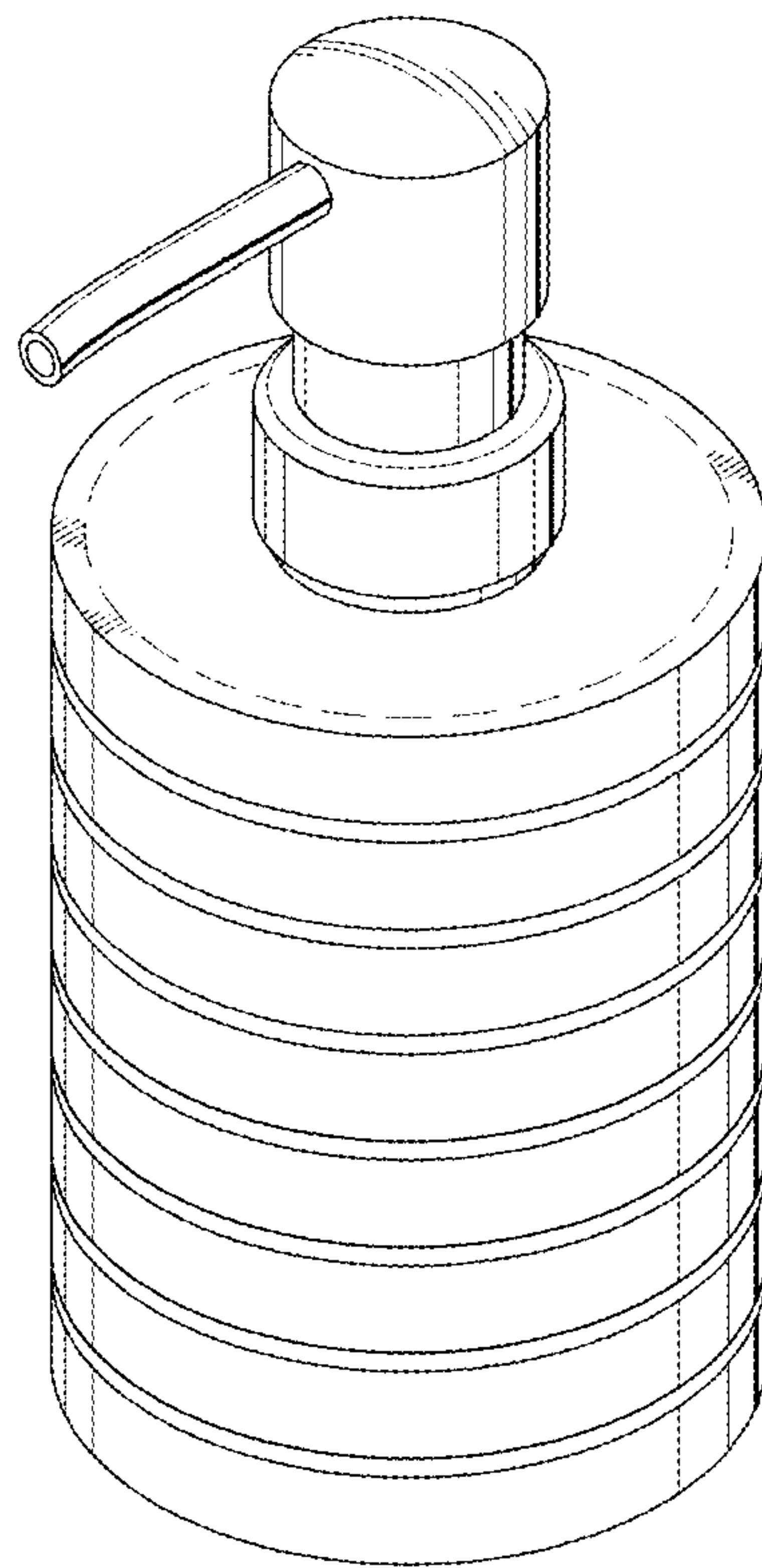


FIG. 1

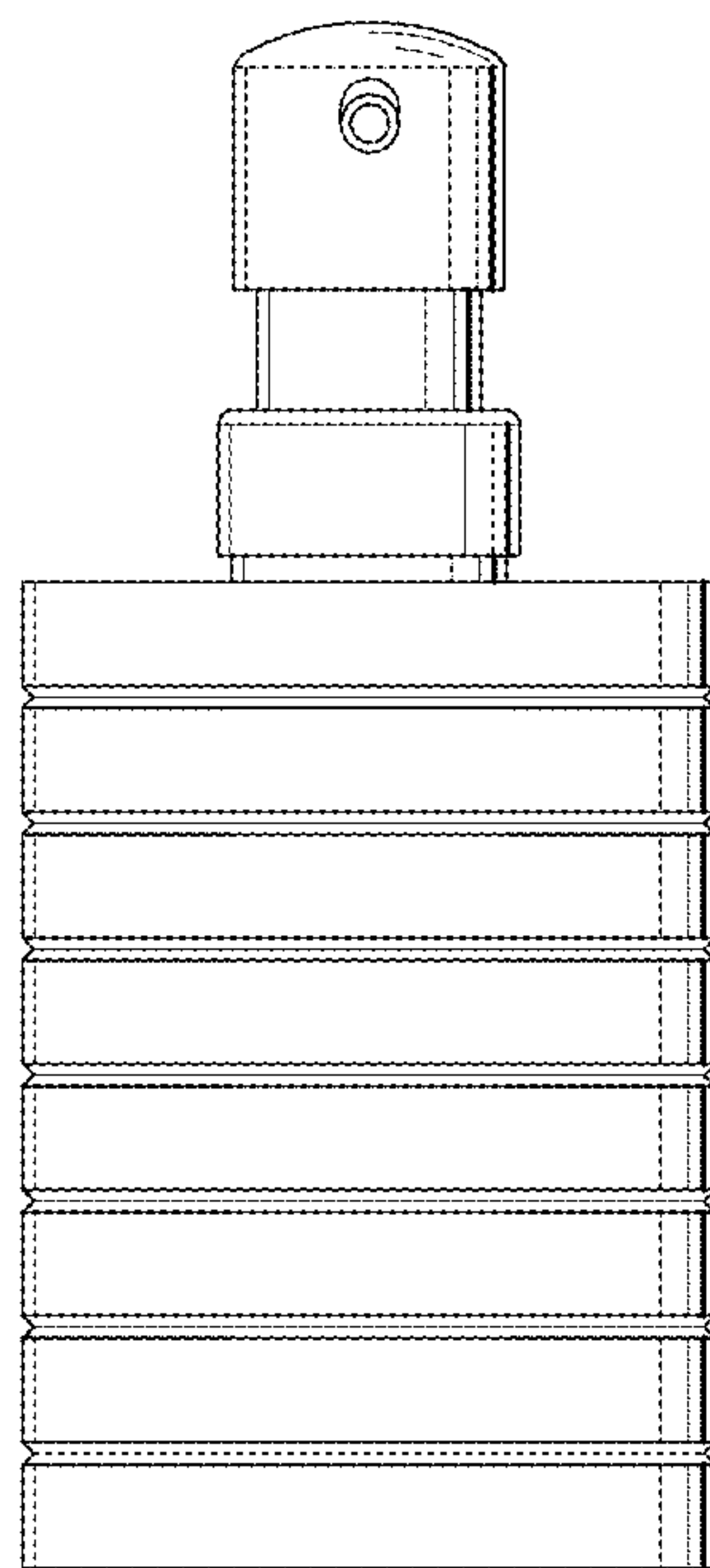


FIG.2

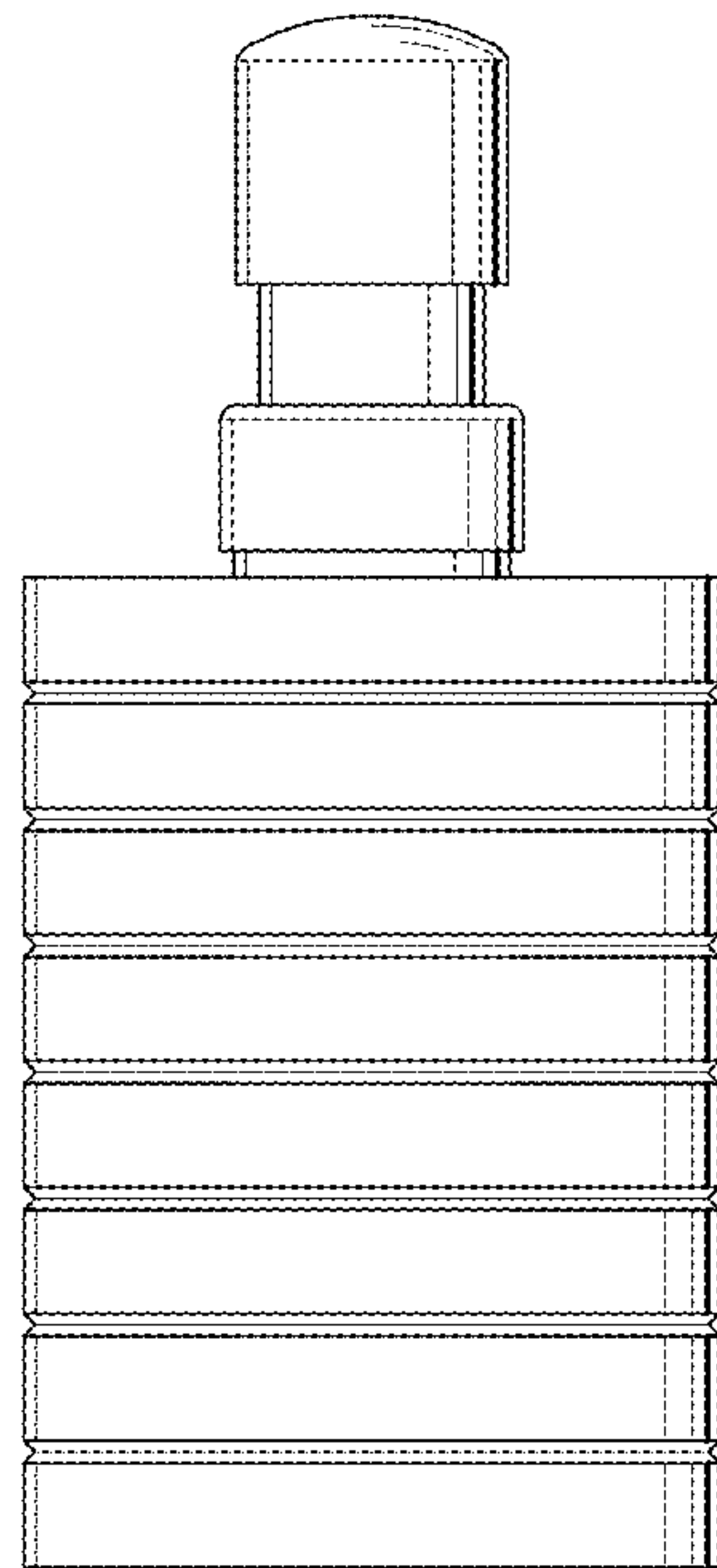


FIG.3

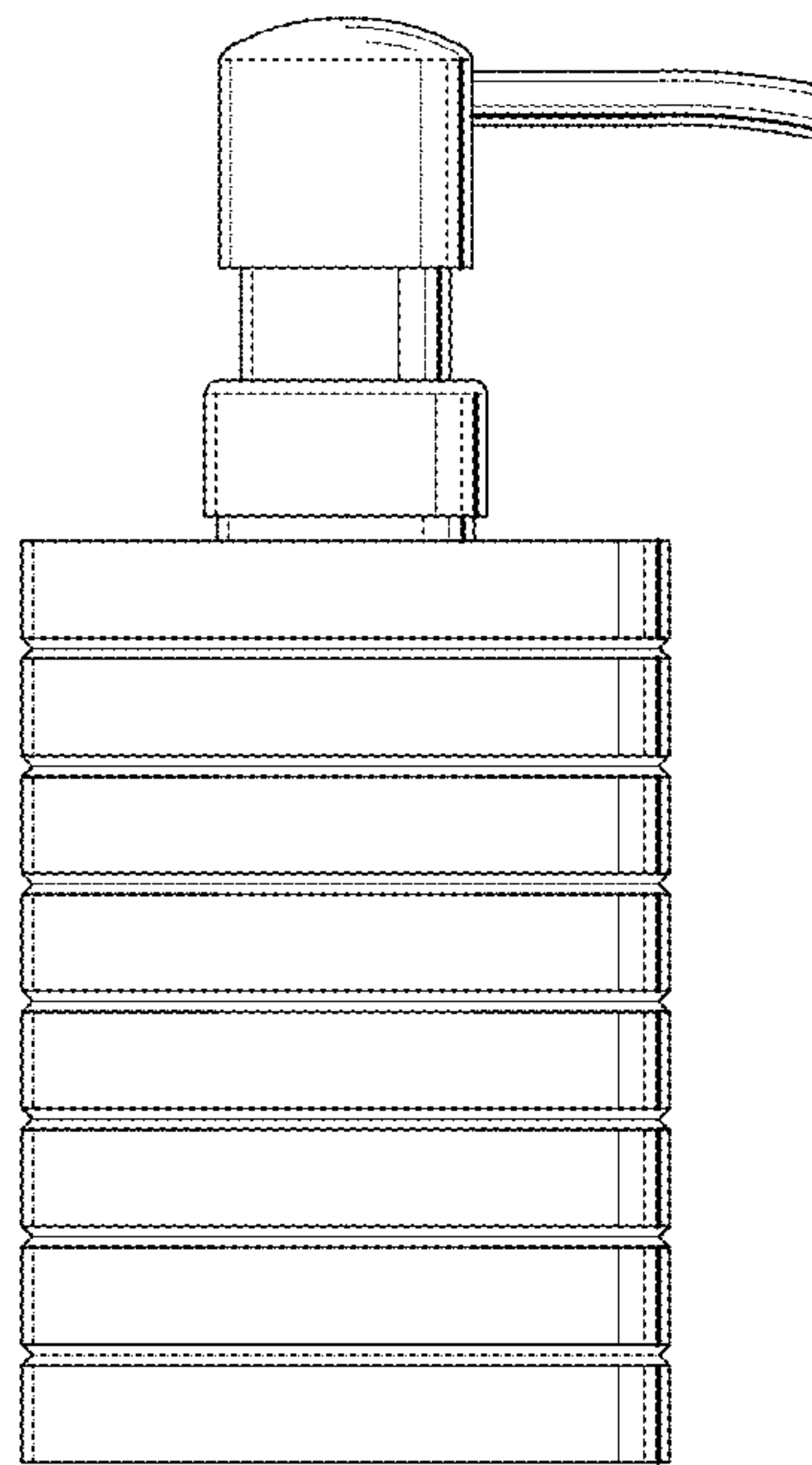


FIG.4

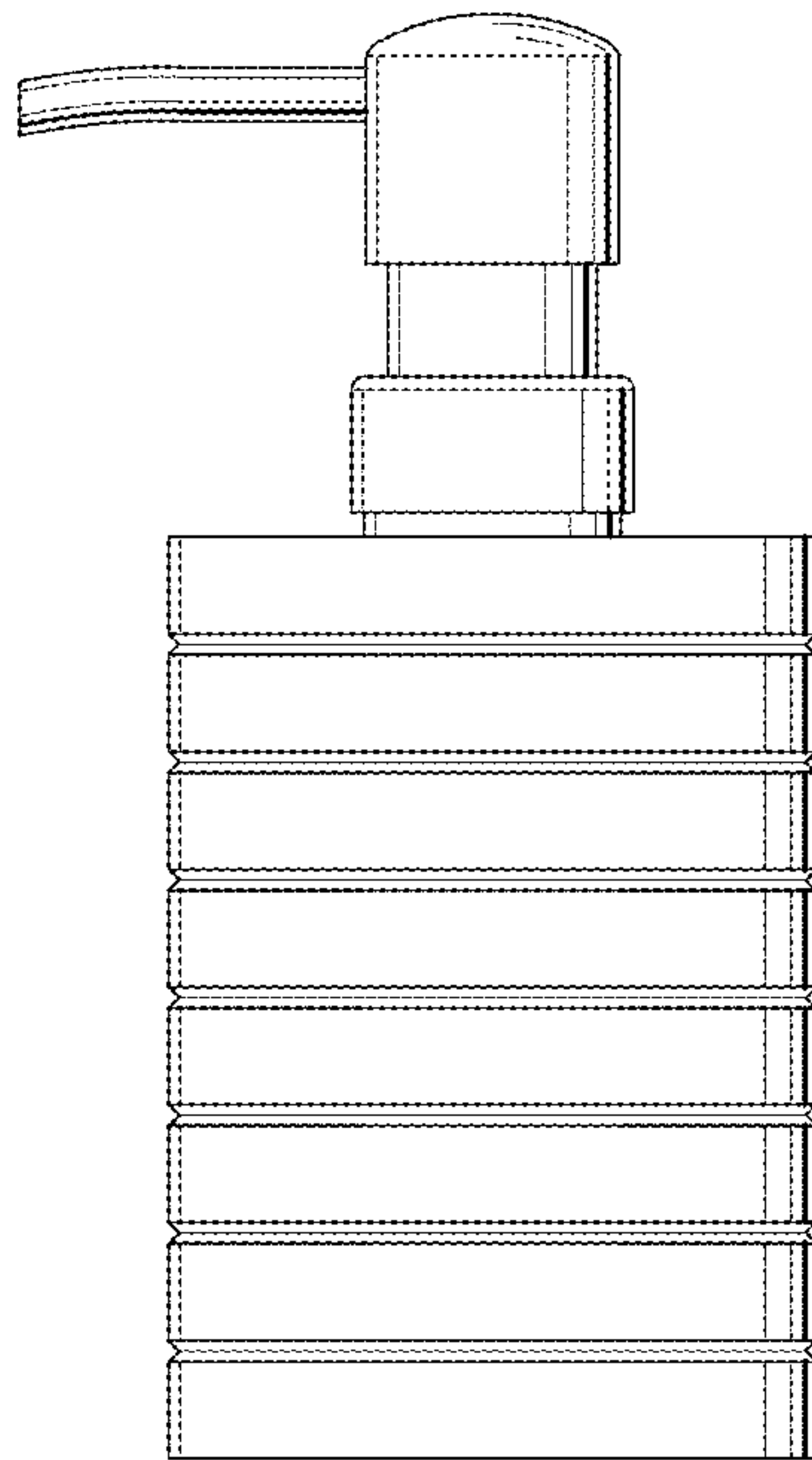


FIG.5

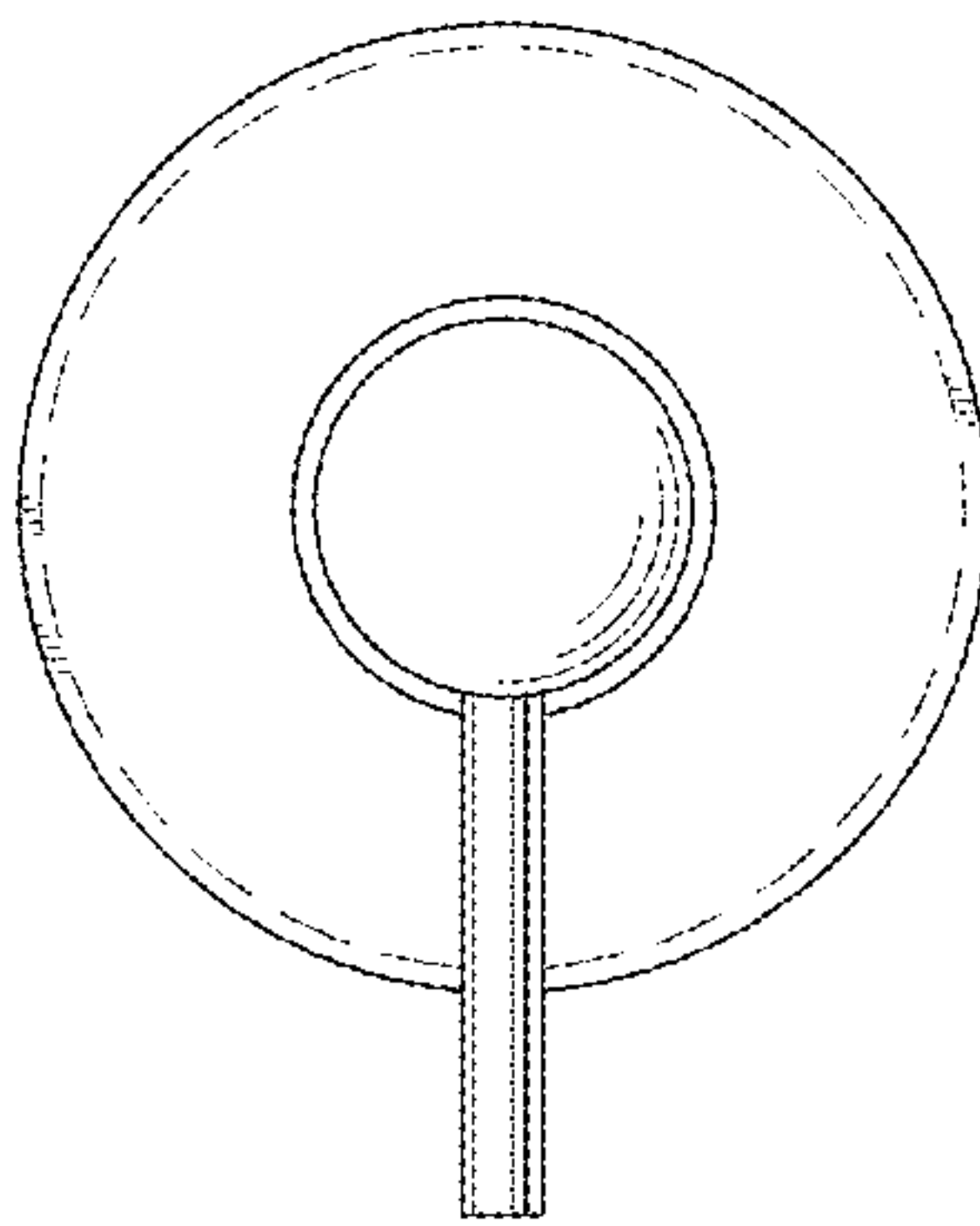


FIG.6

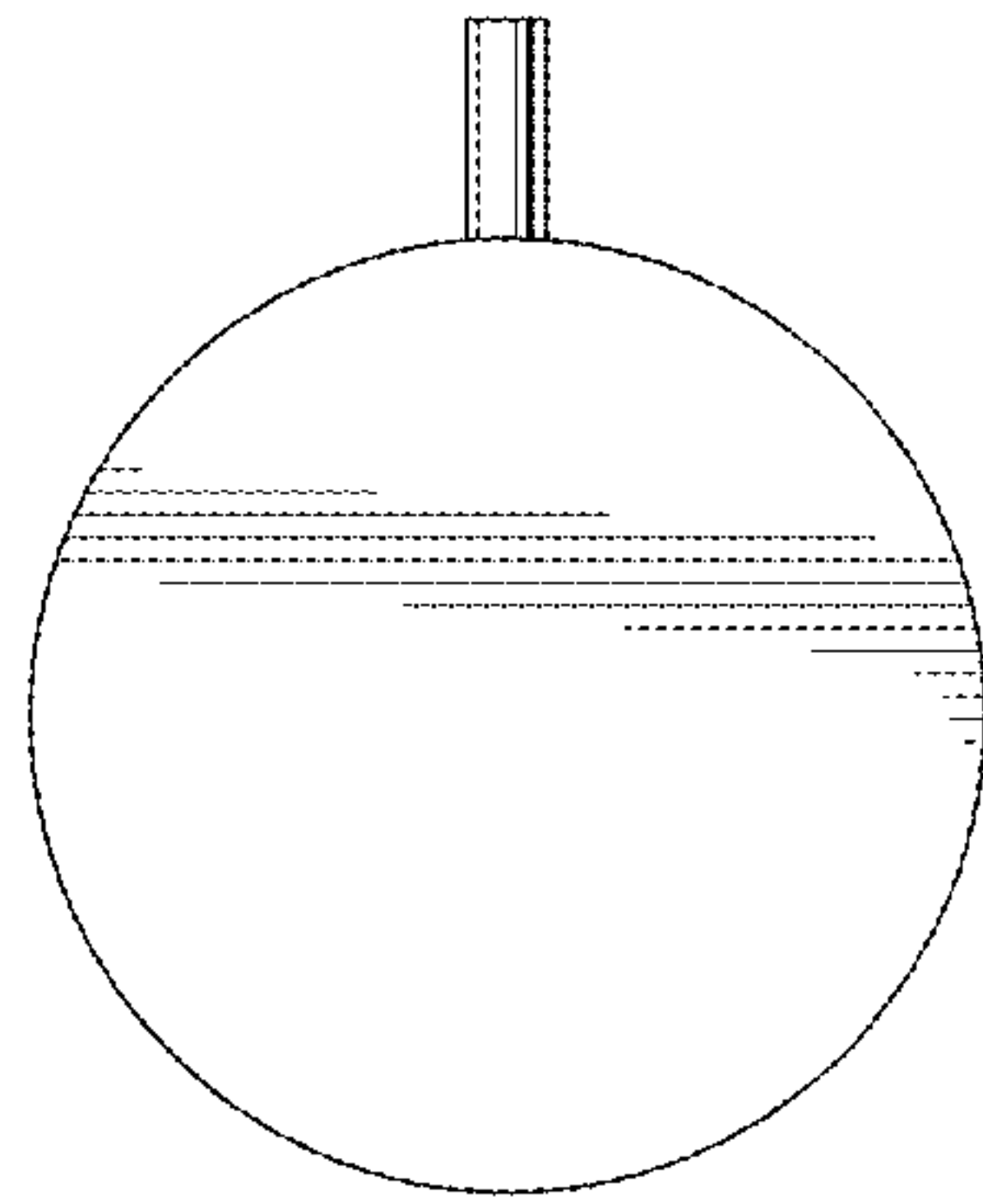


FIG. 7