



US00D708955S

(12) **United States Design Patent**  
**Moglia**

(10) **Patent No.:** **US D708,955 S**  
(45) **Date of Patent:** **\*\* Jul. 15, 2014**

(54) **BOTTLE NECK**

(75) Inventor: **Michele Moglia**, Gallarate (IT)

(73) Assignee: **Enoplastic S.p.A.**, Milan (IT)

(\*\*) Term: **14 Years**

(21) Appl. No.: **29/412,528**

(22) Filed: **Feb. 3, 2012**

(30) **Foreign Application Priority Data**

Aug. 8, 2011 (EM) ..... 001901851

(51) **LOC (10) Cl.** ..... **09-01**

(52) **U.S. Cl.**  
USPC ..... **D9/516**

(58) **Field of Classification Search**  
USPC ..... D9/516, 500, 503-505, 529, 544, 558,  
D9/562, 571, 573-574, 435; 215/40, 44,  
215/43, 400

See application file for complete search history.

(56) **References Cited**

**U.S. PATENT DOCUMENTS**

491,198	A	*	2/1893	Straus	.....	215/40
D241,012	S	*	8/1976	de Abadal	.....	D9/500
D268,248	S	*	3/1983	Bonnefoy	.....	D9/522
D331,367	S	*	12/1992	Armstrong	.....	D9/558
D335,456	S	*	5/1993	Brown	.....	D9/516
D361,515	S	*	8/1995	Caron	.....	D9/516
D434,662	S	*	12/2000	Colonna	.....	D9/516

D449,531	S	*	10/2001	Cooley	.....	D9/500
D530,217	S	*	10/2006	Krause	.....	D9/500
D551,552	S	*	9/2007	Rica	.....	D9/500
D556,577	S	*	12/2007	Didier	.....	D9/500
D572,590	S	*	7/2008	Coulis et al.	.....	D9/500
D572,591	S	*	7/2008	Blake	.....	D9/500
D573,024	S	*	7/2008	Delbon	.....	D9/500
D602,358	S	*	10/2009	Eisen	.....	D9/505
D652,303	S	*	1/2012	Jabbari	.....	D9/571
D652,720	S	*	1/2012	Pelkey	.....	D9/500
D660,154	S	*	5/2012	Franco	.....	D9/500

\* cited by examiner

*Primary Examiner* — Wan Laymon

(74) *Attorney, Agent, or Firm* — Novak Druce Connolly  
Bove + Quigg LLP

(57) **CLAIM**

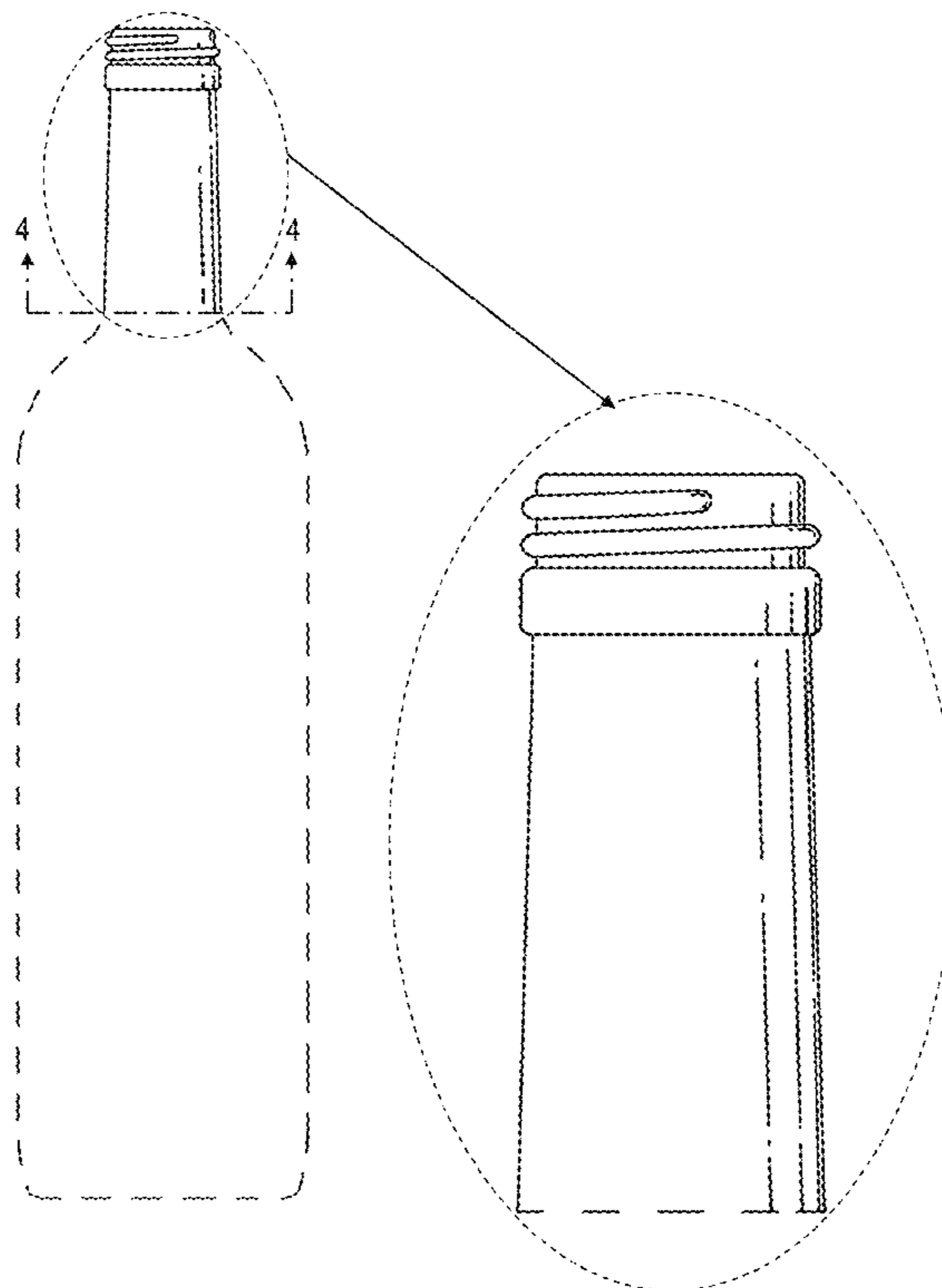
The ornamental design for a bottle neck, as shown and described.

**DESCRIPTION**

FIG. 1 is a front view of a bottle neck of the present invention;  
FIG. 2 is a rear view thereof;  
FIG. 3 is a top view thereof;  
FIG. 4 is an enlarged front view of the neck portion taken  
along line 4-4 of FIG. 1;  
FIG. 5 is an enlarged rear view thereof;  
FIG. 6 is an enlarged top view thereof; and  
FIG. 7 is an enlarged bottom view thereof.

The broken lines in the Figures show environmental context  
for illustrative purposes and the peripheral boundary of the  
claimed design only and form no part of the claimed design.

**1 Claim, 2 Drawing Sheets**



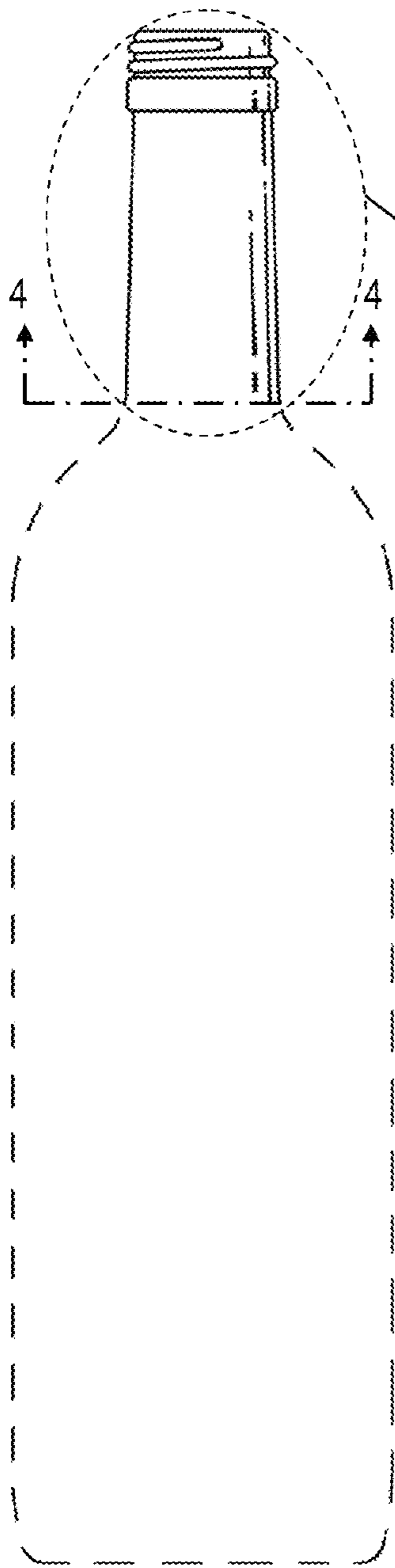


Fig. 1

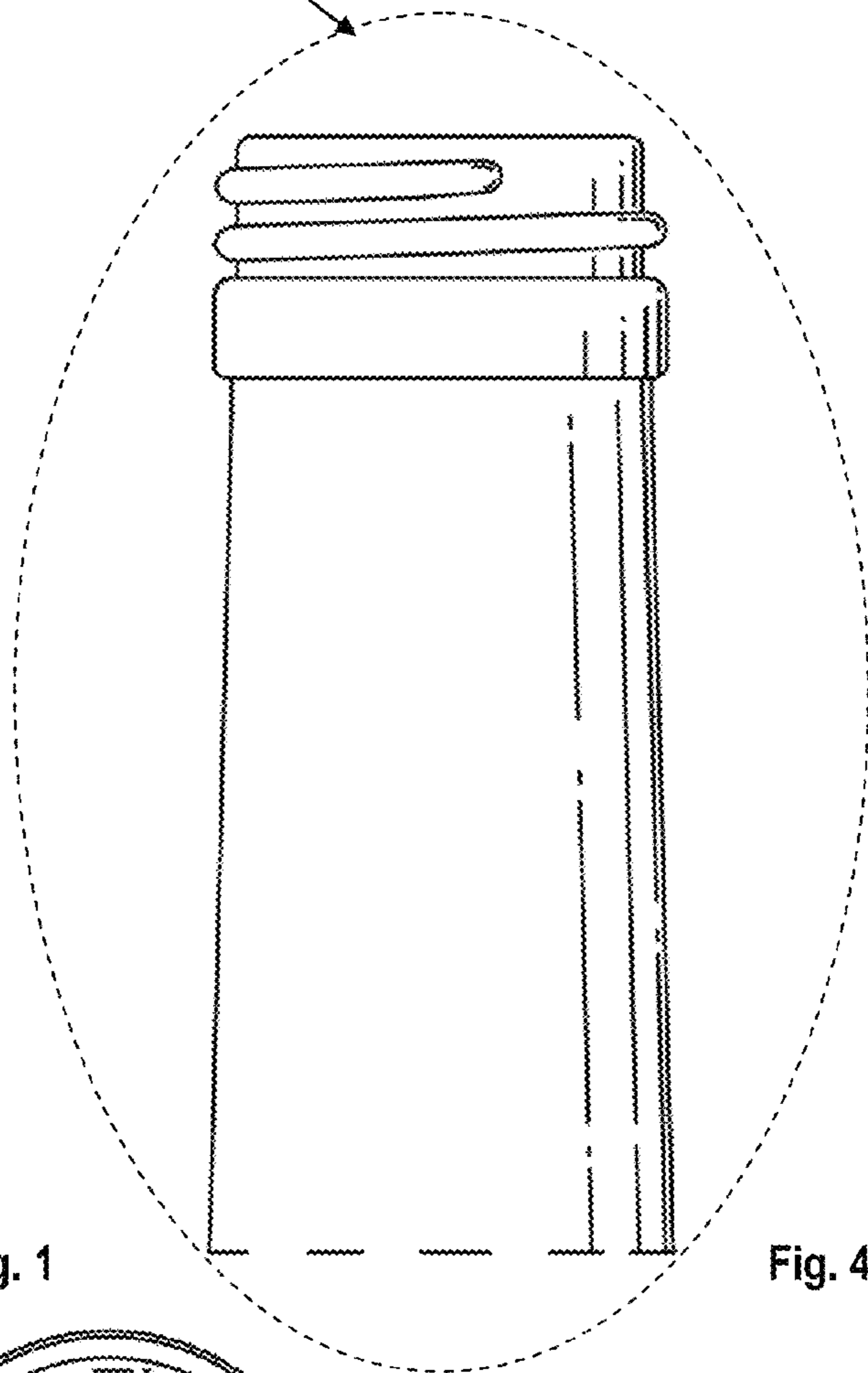


Fig. 4

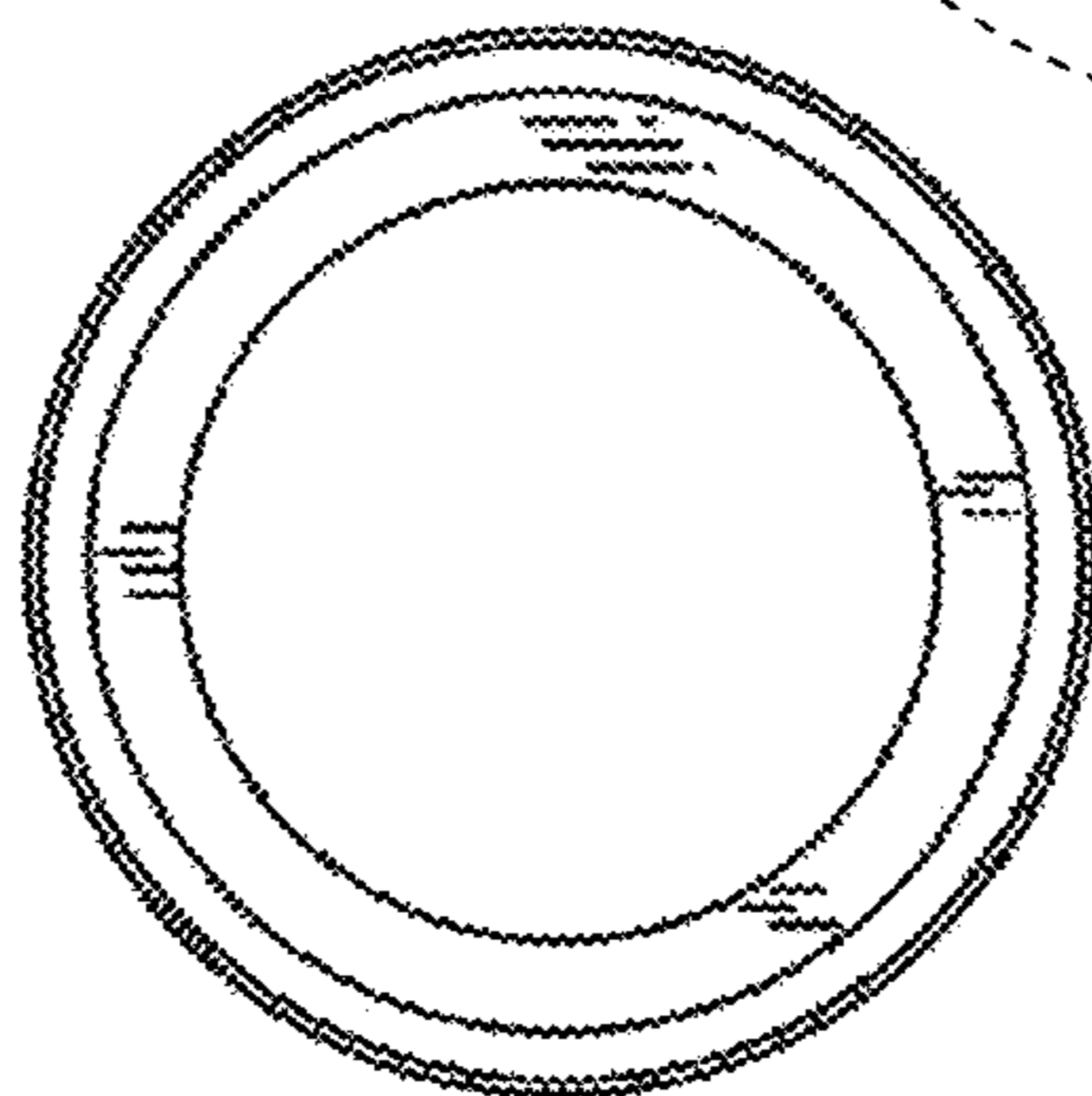


Fig. 6

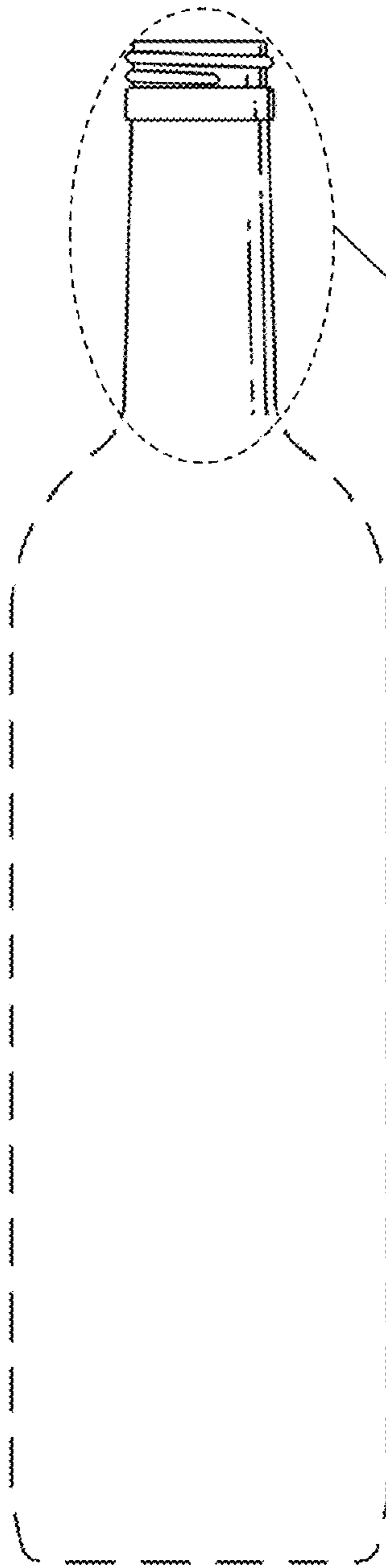


Fig. 2

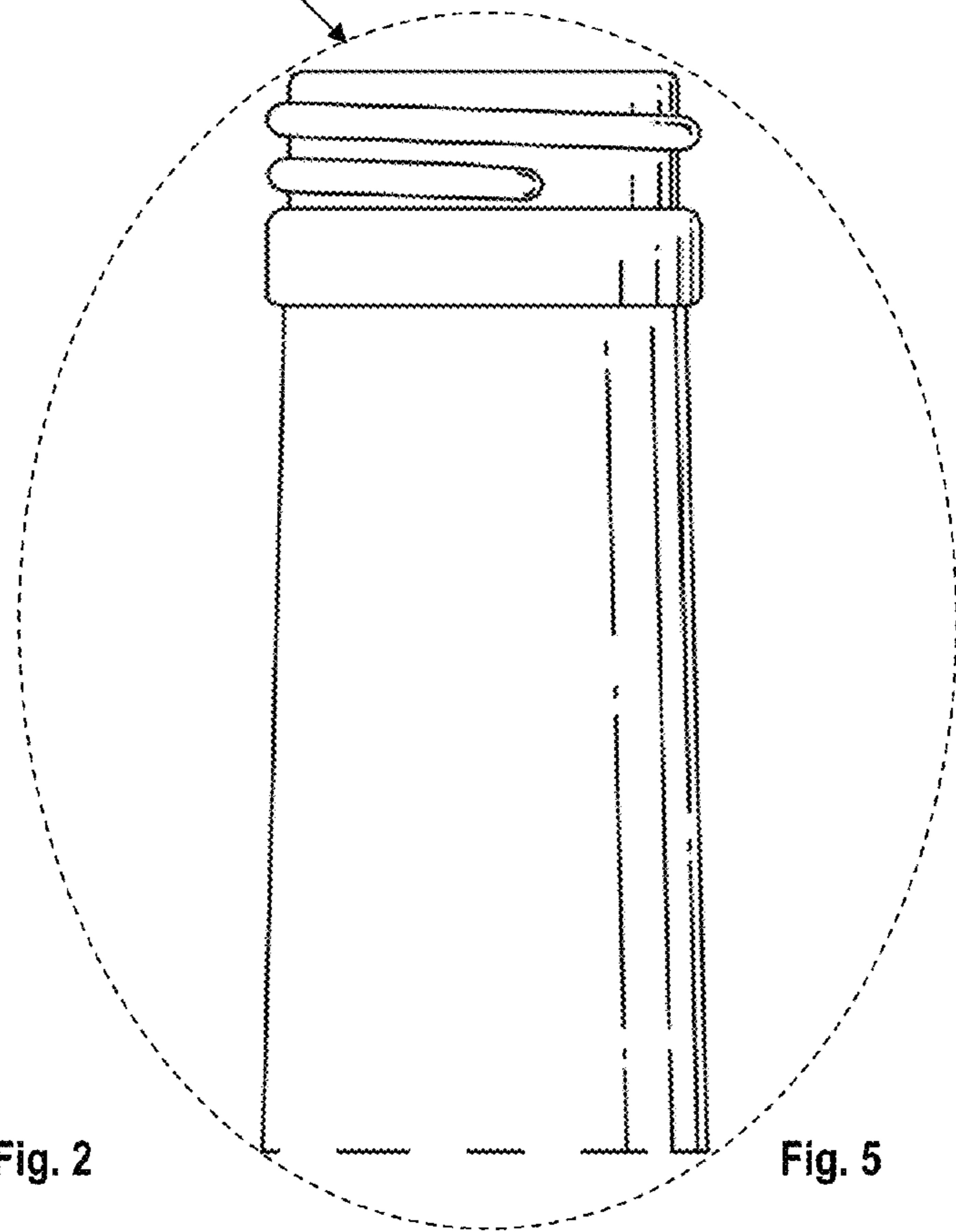


Fig. 5

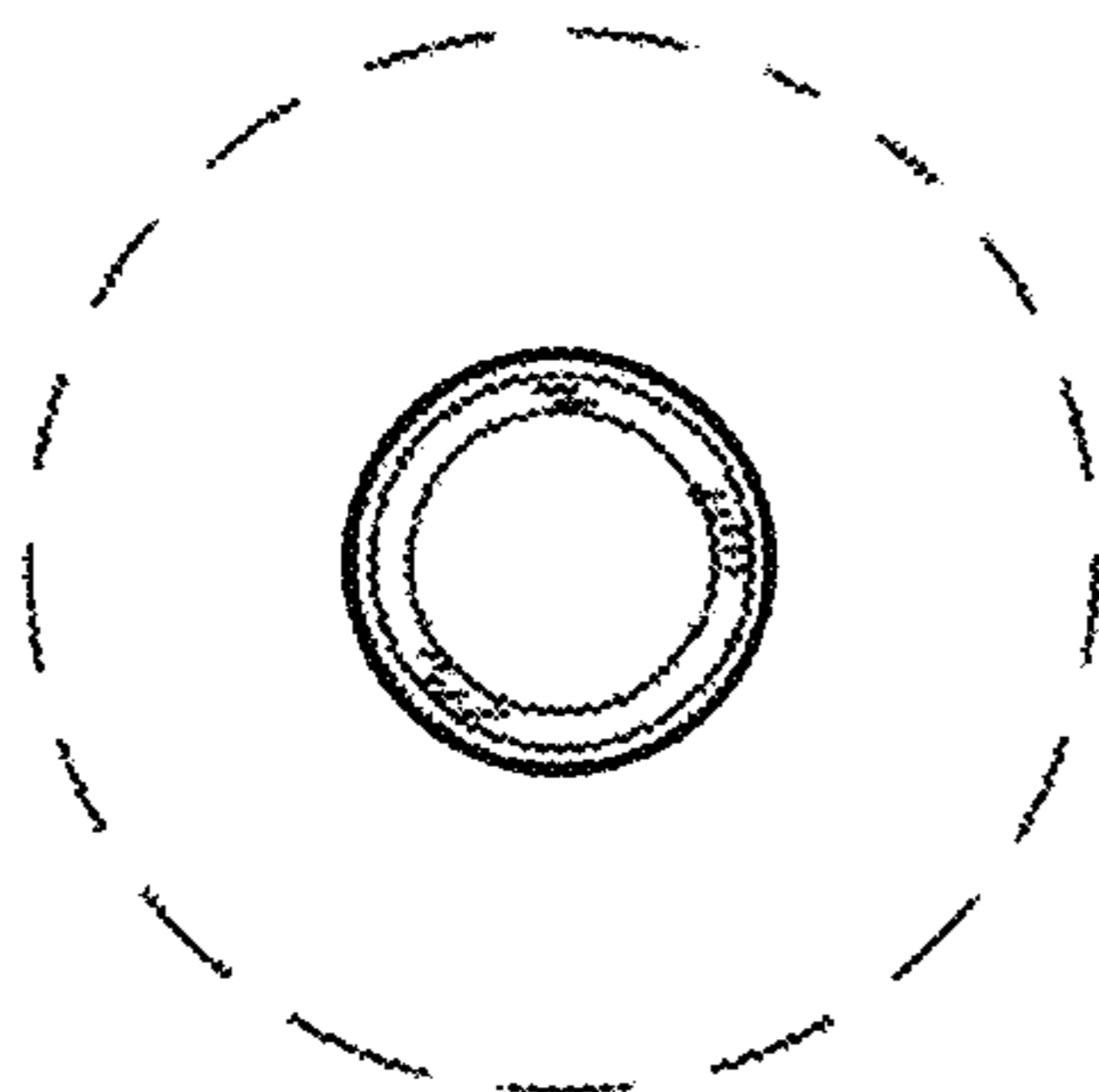


Fig. 3

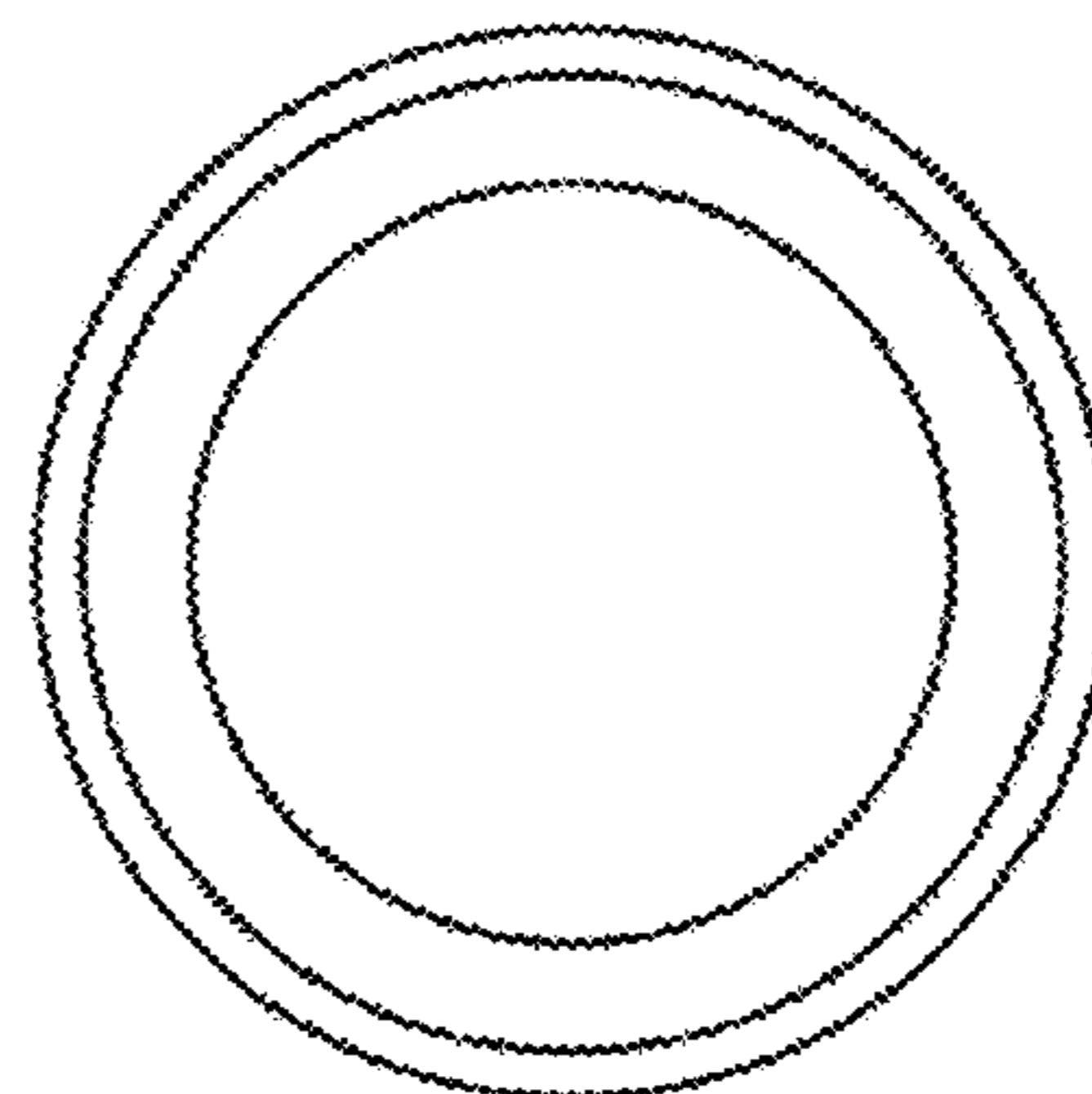


Fig. 7