



US00D708947S

(12) **United States Design Patent**
Weber

(10) **Patent No.:** **US D708,947 S**
(45) **Date of Patent:** **** Jul. 15, 2014**

(54) **CONTAINER CAP**

(71) Applicant: **Heinz Weber**, Beaconsfield (CA)

(72) Inventor: **Heinz Weber**, Beaconsfield (CA)

(**) Term: **14 Years**

(21) Appl. No.: **29/421,846**

(22) Filed: **Oct. 2, 2012**

(51) **LOC (10) Cl.** **09-07**

(52) **U.S. Cl.**
USPC **D9/449**; D9/451

(58) **Field of Classification Search**
CPC B65D 47/08; B65D 55/16
USPC D9/435, 446, 447, 449, 451, 454, 516,
D9/529, 530, 537-546, 550-552, 563, 565,
D9/574, 75; 215/220; 220/660, 669, 670,
220/675; 206/534

See application file for complete search history.

(56) **References Cited**

U.S. PATENT DOCUMENTS

D368,225 S *	3/1996	Bertolini et al.	D9/444
D375,460 S *	11/1996	Tanaka	D9/451
D529,813 S *	10/2006	Modjeski	D9/546
D530,213 S *	10/2006	Modjeski	D9/546
D530,216 S *	10/2006	Modjeski	D9/566
D542,672 S *	5/2007	Kenyon	D9/697

D551,974 S *	10/2007	Canamasas Puigbo	D9/452
D565,410 S *	4/2008	Canamasas Puigbo	D9/454
D567,582 S *	4/2008	Blum et al.	D7/401.1
D574,257 S *	8/2008	Zeidan	D9/694
D610,456 S *	2/2010	Rognard	D9/452
D610,916 S *	3/2010	Yeung et al.	D9/694
D620,804 S *	8/2010	Bogert et al.	D9/544
D629,695 S *	12/2010	Zaniewski et al.	D9/529
D631,752 S *	2/2011	Kuzma et al.	D9/542
D632,969 S *	2/2011	Monteparo et al.	D9/544
D637,491 S *	5/2011	Bogert	D9/452
D639,667 S *	6/2011	Bogert et al.	D9/544

* cited by examiner

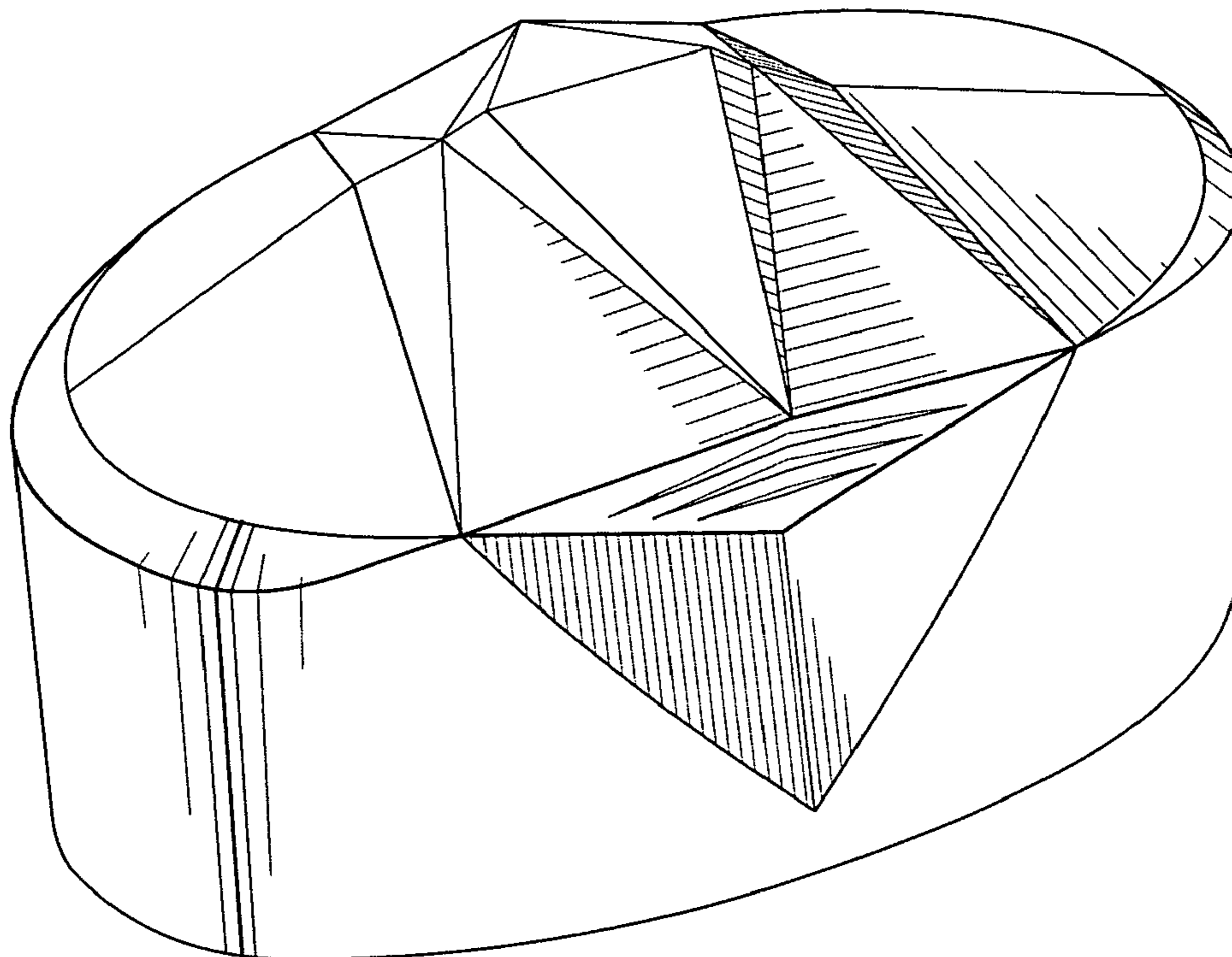
Primary Examiner — Robert M Spear
(74) *Attorney, Agent, or Firm* — Eric Fincham

(57) **CLAIM**
The ornamental design for a container cap, as shown and described.

DESCRIPTION

FIG. 1 is a perspective view of the container cap;
FIG. 2 is a top plan view thereof;
FIG. 3 is a front elevational view thereof;
FIG. 4 is an end elevational view as seen from the left hand side of FIG. 2;
FIG. 5 is a rear elevational view thereof; and,
FIG. 6 is a side elevational view as seen from the right hand side of FIG. 2.

1 Claim, 2 Drawing Sheets



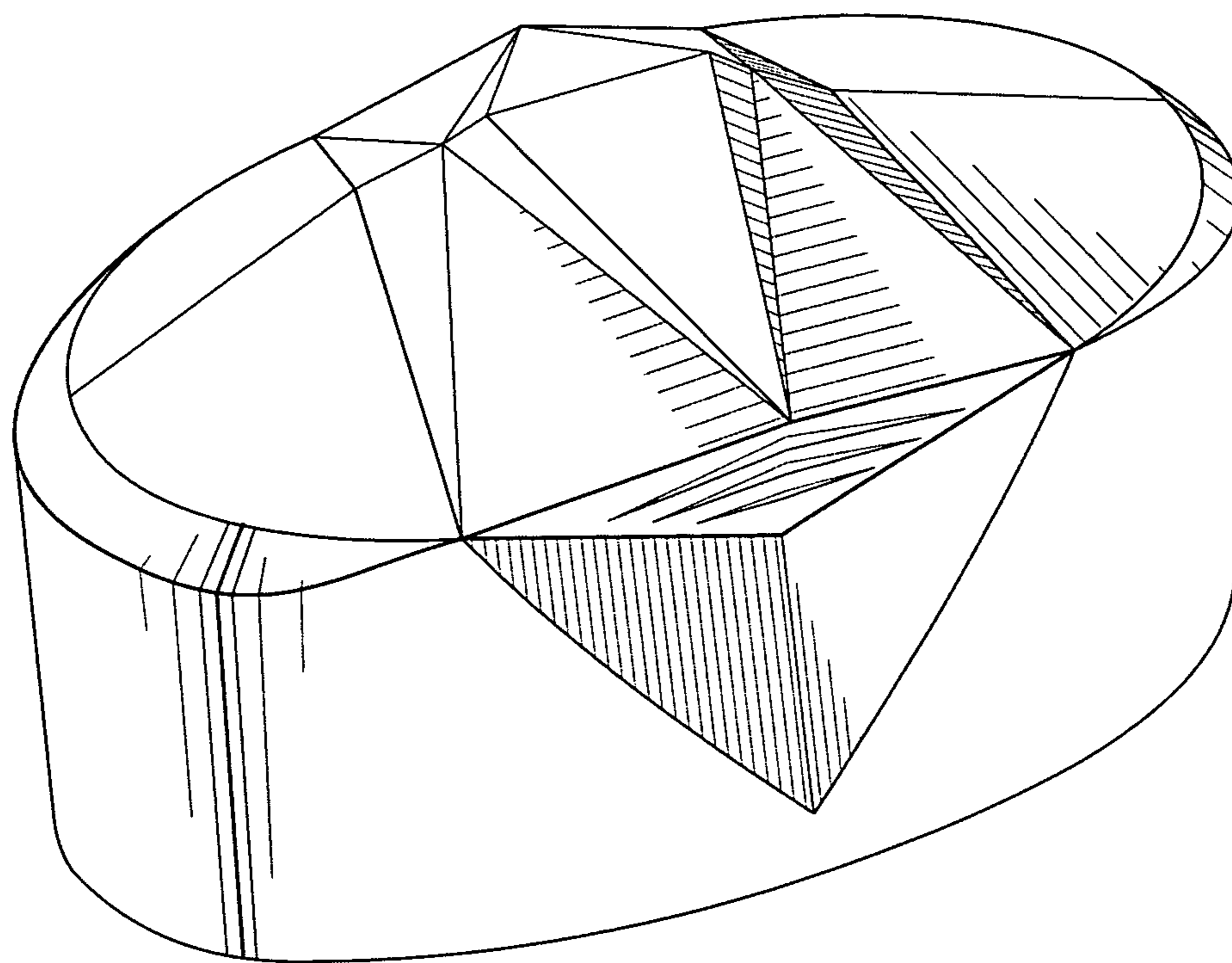


FIG. 1

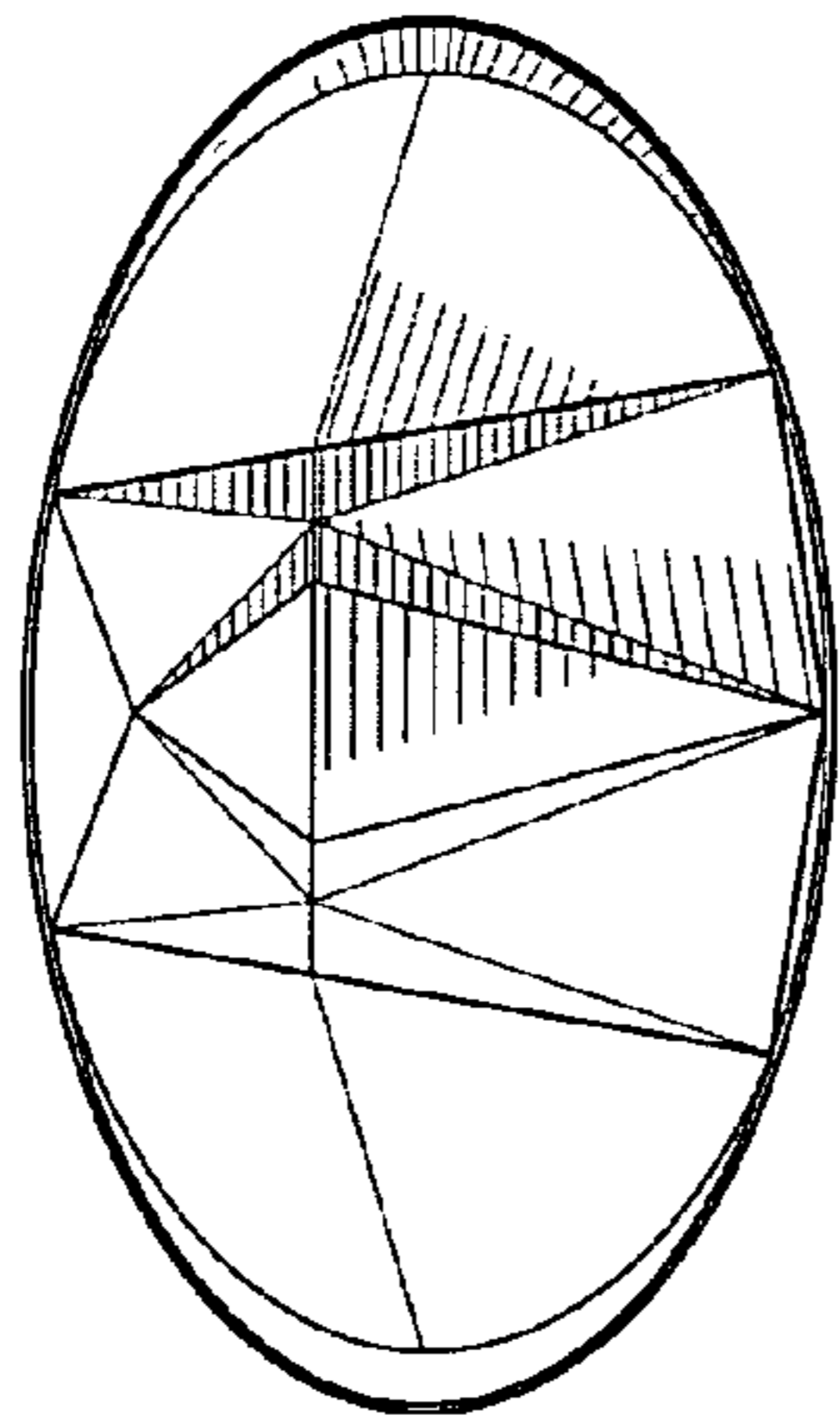


FIG. 2

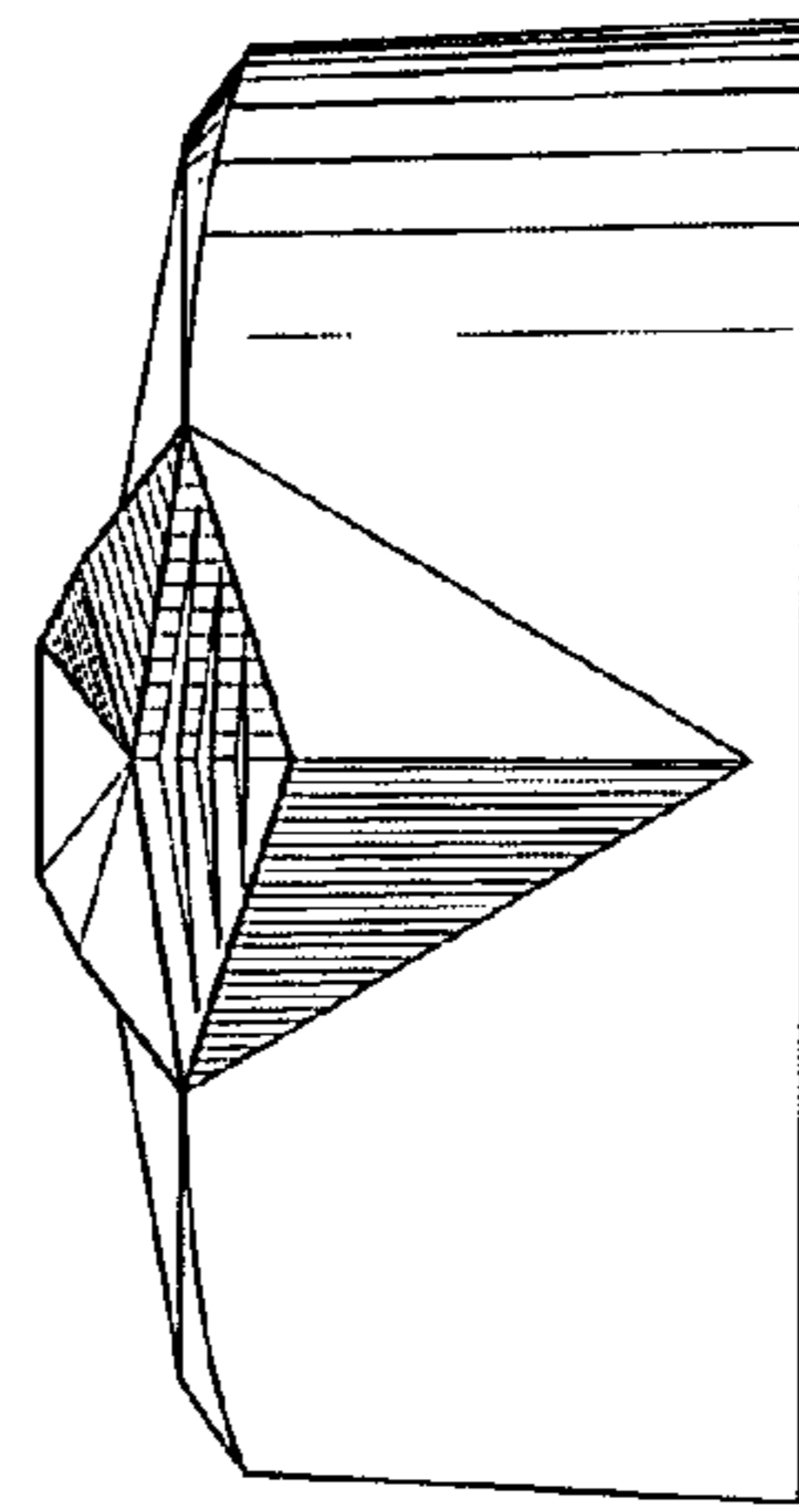


FIG. 3

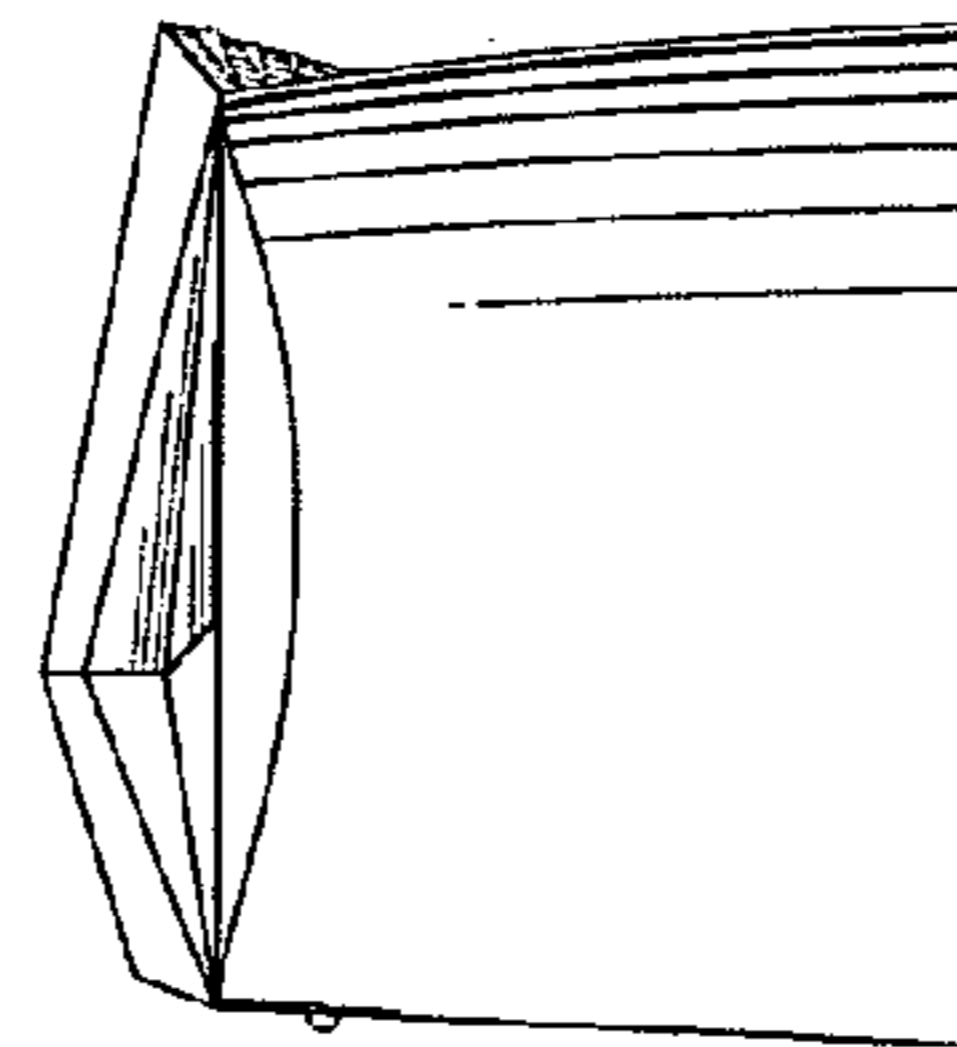


FIG. 4

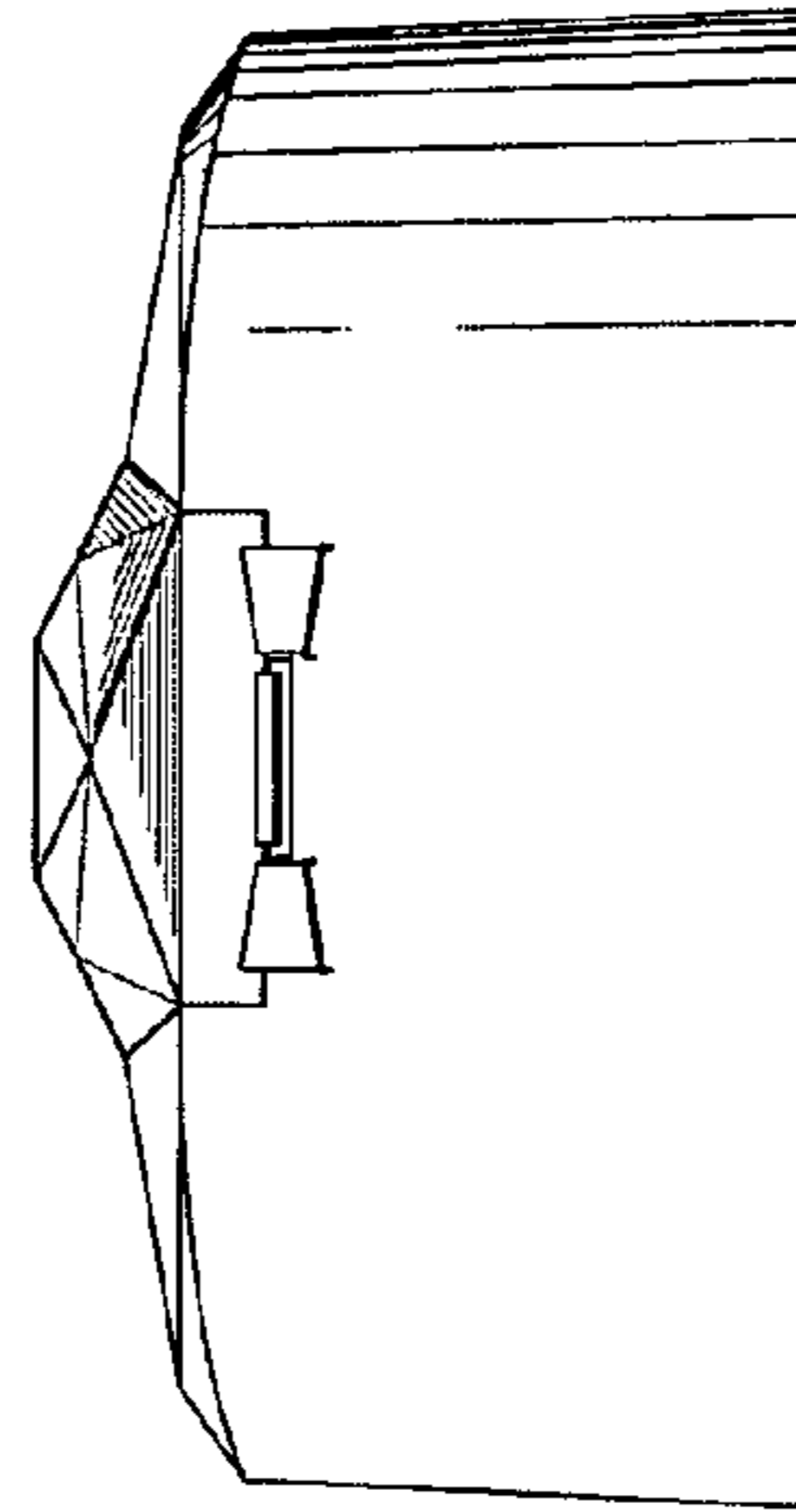


FIG. 5

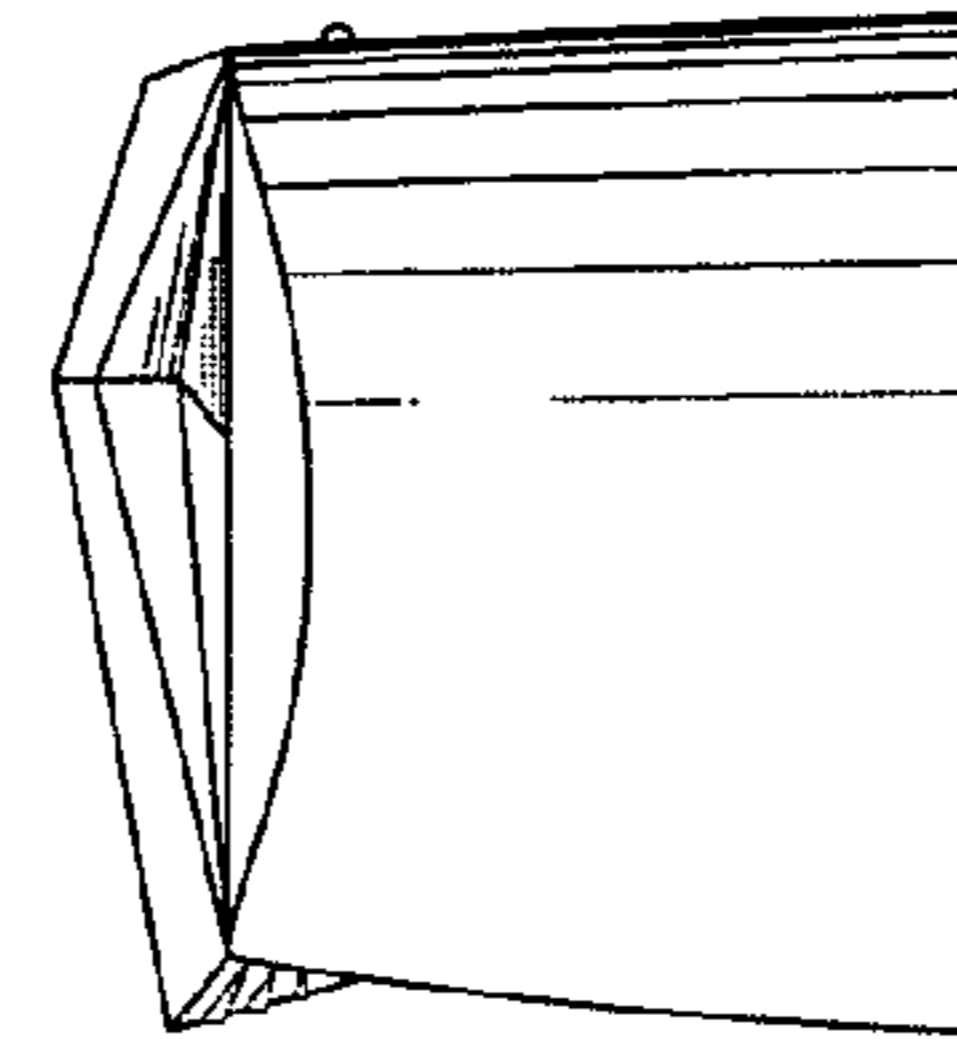


FIG. 6