



US00D708946S

(12) **United States Design Patent**
Hutchison et al.

(10) **Patent No.:** **US D708,946 S**
(45) **Date of Patent:** **** Jul. 15, 2014**

- (54) **CONTAINER CAP**
- (71) Applicants: **Frederick A. Hutchison**, Yorba Linda, CA (US); **Todd Duell**, San Diego, CA (US)
- (72) Inventors: **Frederick A. Hutchison**, Yorba Linda, CA (US); **Todd Duell**, San Diego, CA (US)
- (**) Term: **14 Years**
- (21) Appl. No.: **29/437,527**
- (22) Filed: **Nov. 16, 2012**
- (51) **LOC (10) Cl.** **09-07**
- (52) **U.S. Cl.**
USPC **D9/447**
- (58) **Field of Classification Search**
USPC D9/434, 435, 439, 440, 443, 446, 447, D9/449, 453, 454, 417; D7/396.2, 392.1; 215/235, 236, 307, 311; 220/254.2-254.5, 259.3, 26, 715, 837; 222/212, 484, 556; 285/332.2; 604/246; D24/121
See application file for complete search history.

5,988,456	A *	11/1999	Laible	222/464.1
6,045,012	A *	4/2000	Hansen	222/464.1
6,277,103	B1 *	8/2001	Lauer	604/246
6,382,442	B1	5/2002	Thibault et al.		
6,669,681	B2	12/2003	Jepson et al.		
D582,767	S *	12/2008	Batton et al.	D9/447
D590,255	S *	4/2009	Maxwell	D9/447
D591,152	S *	4/2009	Hatalla	D9/447
D596,487	S *	7/2009	Batton et al.	D9/447
D598,749	S *	8/2009	Maxwell	D9/447
7,722,576	B2 *	5/2010	Lopez	604/249
D630,094	S *	1/2011	Maxwell	D9/447
D630,732	S *	1/2011	Lev et al.	D24/129
D660,149	S *	5/2012	Grace	D9/447
2002/0185186	A1	12/2002	Juliar et al.		
2003/0029890	A1 *	2/2003	Olechowski et al.	222/525
2003/0088232	A1 *	5/2003	Duell	604/411
2006/0264891	A1 *	11/2006	Lopez	604/500
2012/0271246	A1 *	10/2012	Guala	604/246

* cited by examiner

Primary Examiner — Robert M Spear

(74) *Attorney, Agent, or Firm* — Stetina Brunda Garred & Brucker

(57) **CLAIM**

The ornamental design for a container cap, as shown and described.

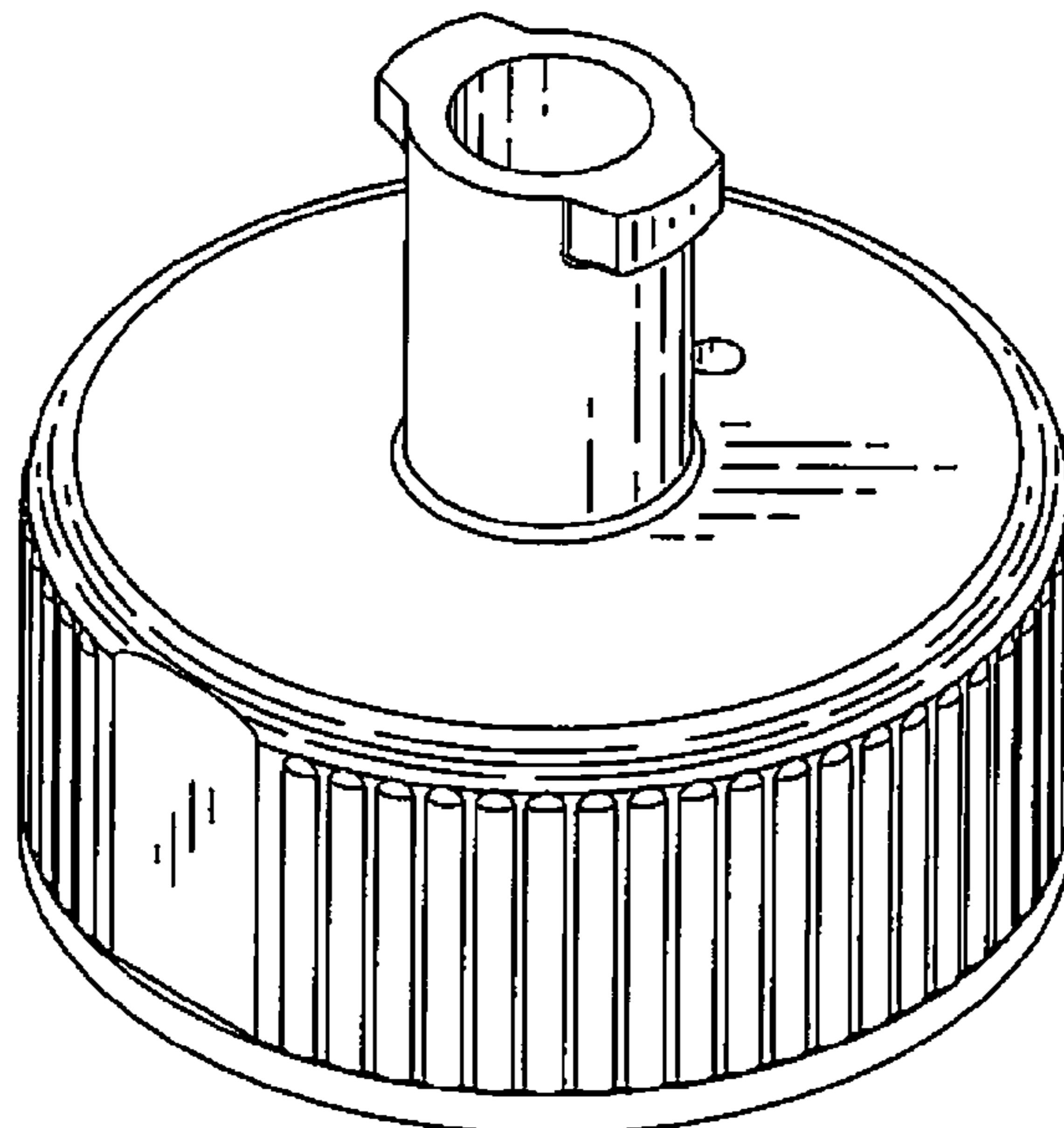
DESCRIPTION

FIG. 1 is a top perspective view of the container cap of the present invention showing our new design; FIG. 2 is a lower perspective view thereof; FIG. 3 is a top plan view thereof; FIG. 4 is a left side elevational view thereof; FIG. 5 is a right side elevational view thereof; and, FIG. 6 is a bottom plan view thereof.

1 Claim, 2 Drawing Sheets

(56) **References Cited**
U.S. PATENT DOCUMENTS

D306,649	S *	3/1990	Lapicola et al.	D24/121
4,934,545	A *	6/1990	Pezzoli et al.	215/250
4,951,845	A *	8/1990	Pezzoli et al.	215/250
D316,035	S *	4/1991	Pepitone	D9/745
D349,647	S *	8/1994	Moffitt	D9/435
5,451,374	A *	9/1995	Molina	422/534
5,871,110	A	2/1999	Grimard et al.		



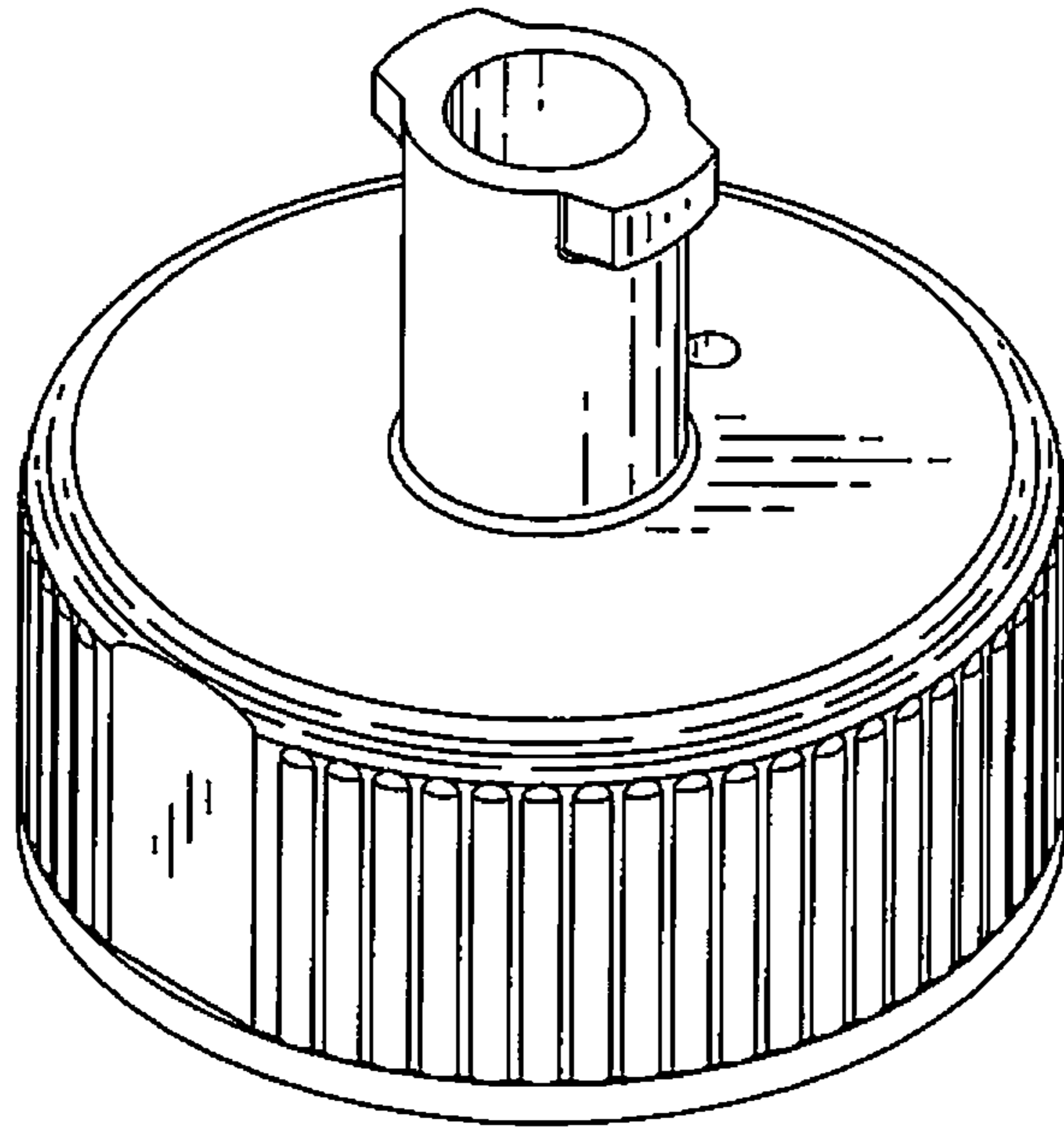


Fig. 1

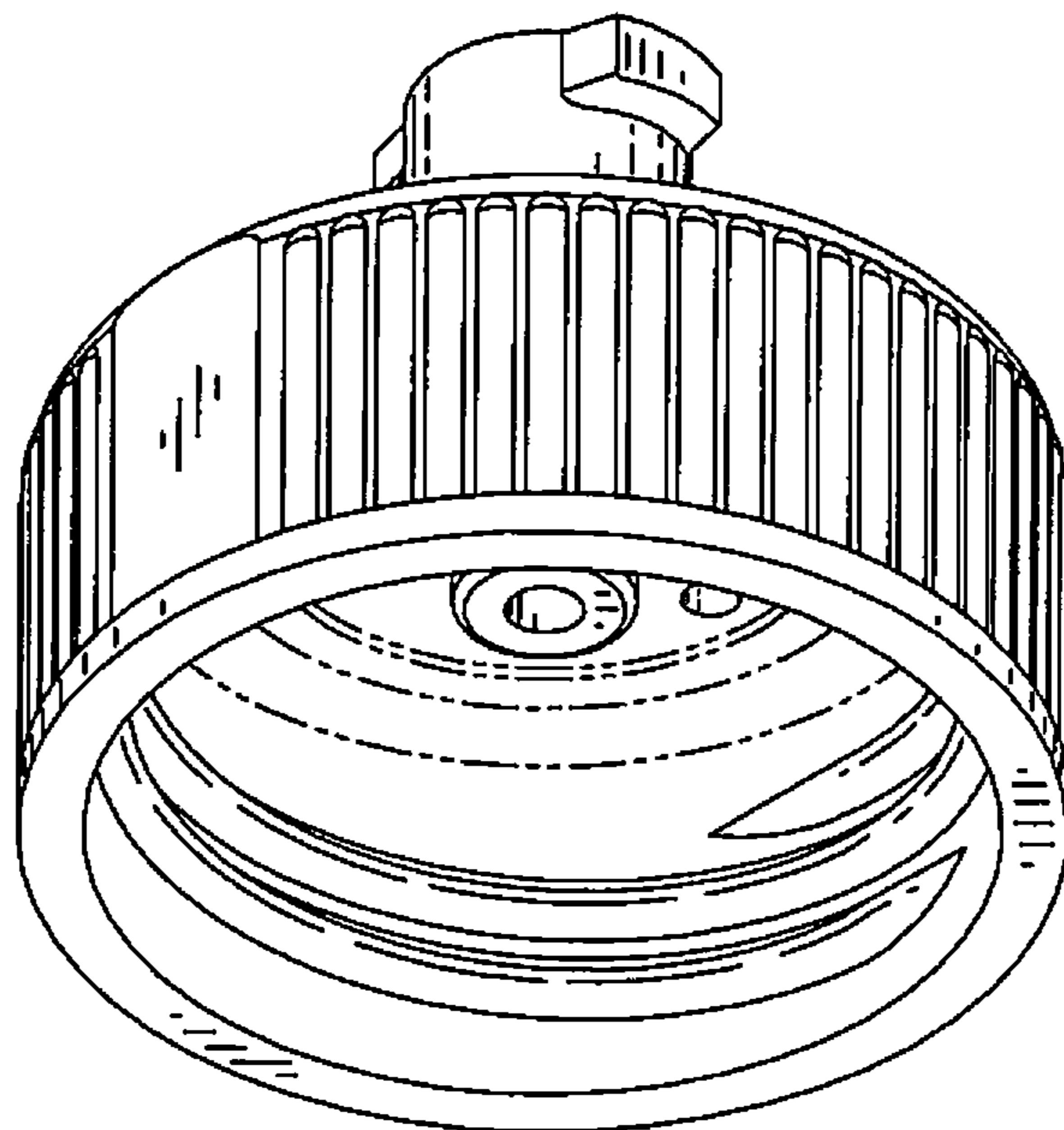


Fig. 2

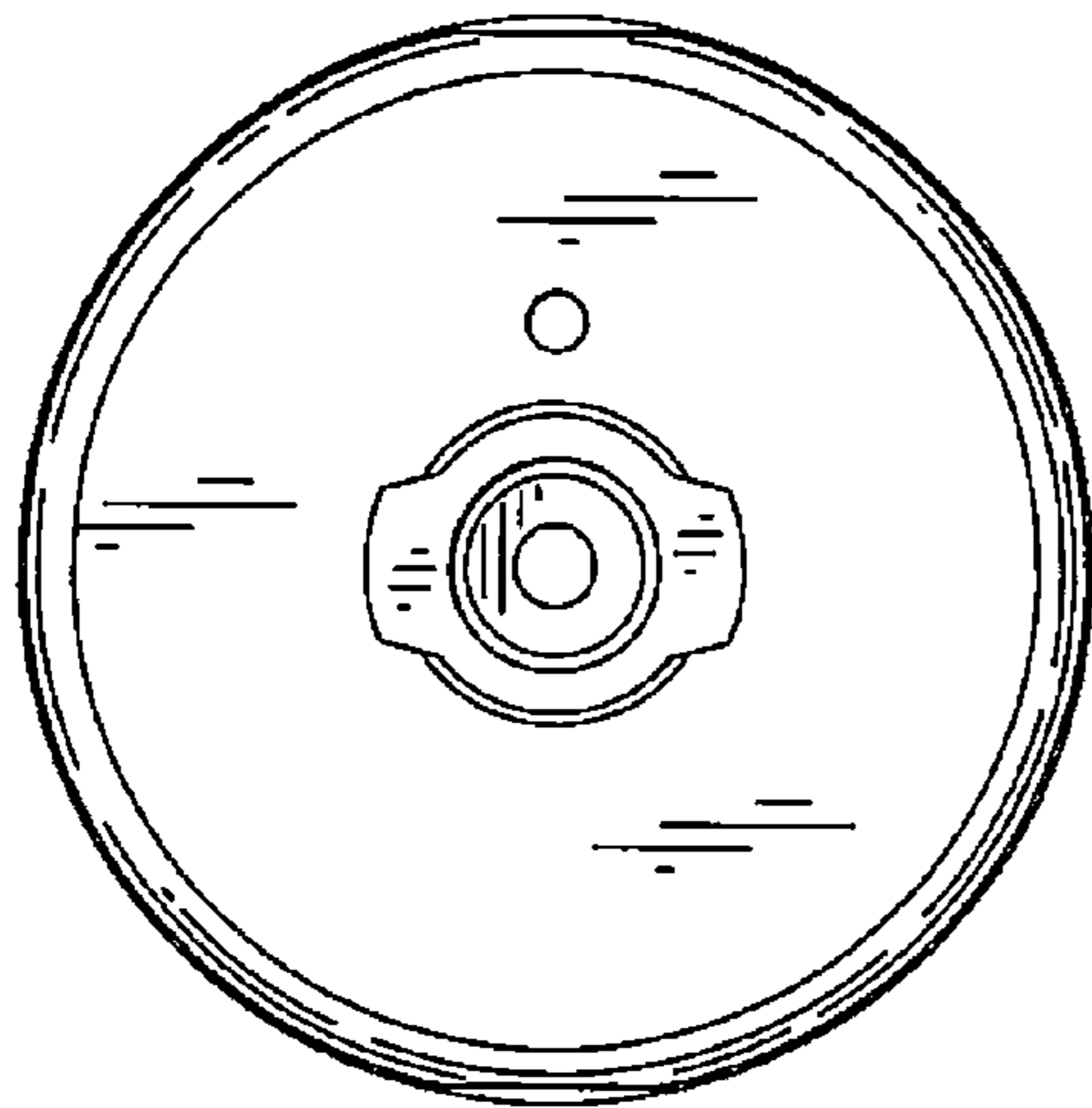


Fig. 3

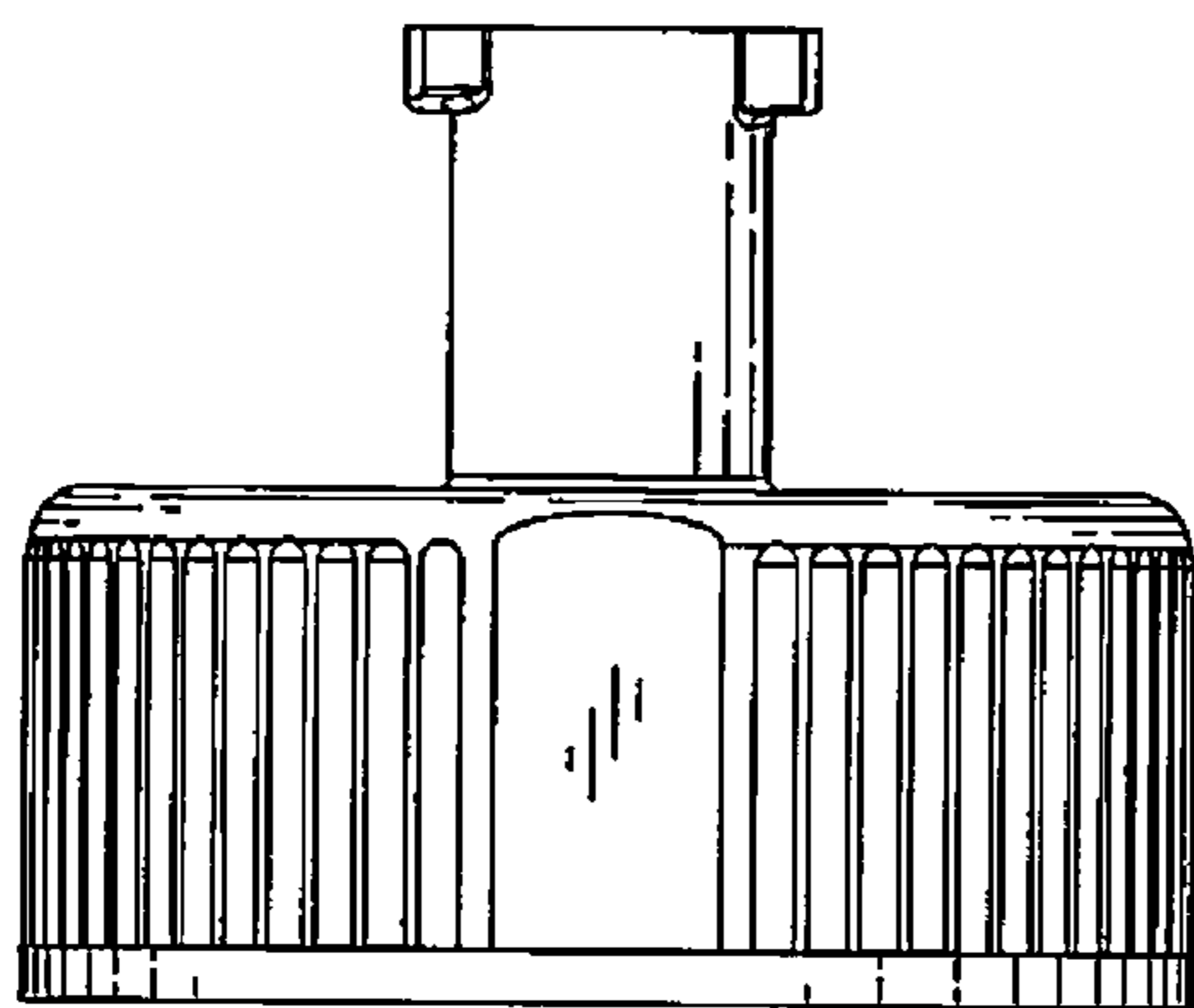


Fig. 4

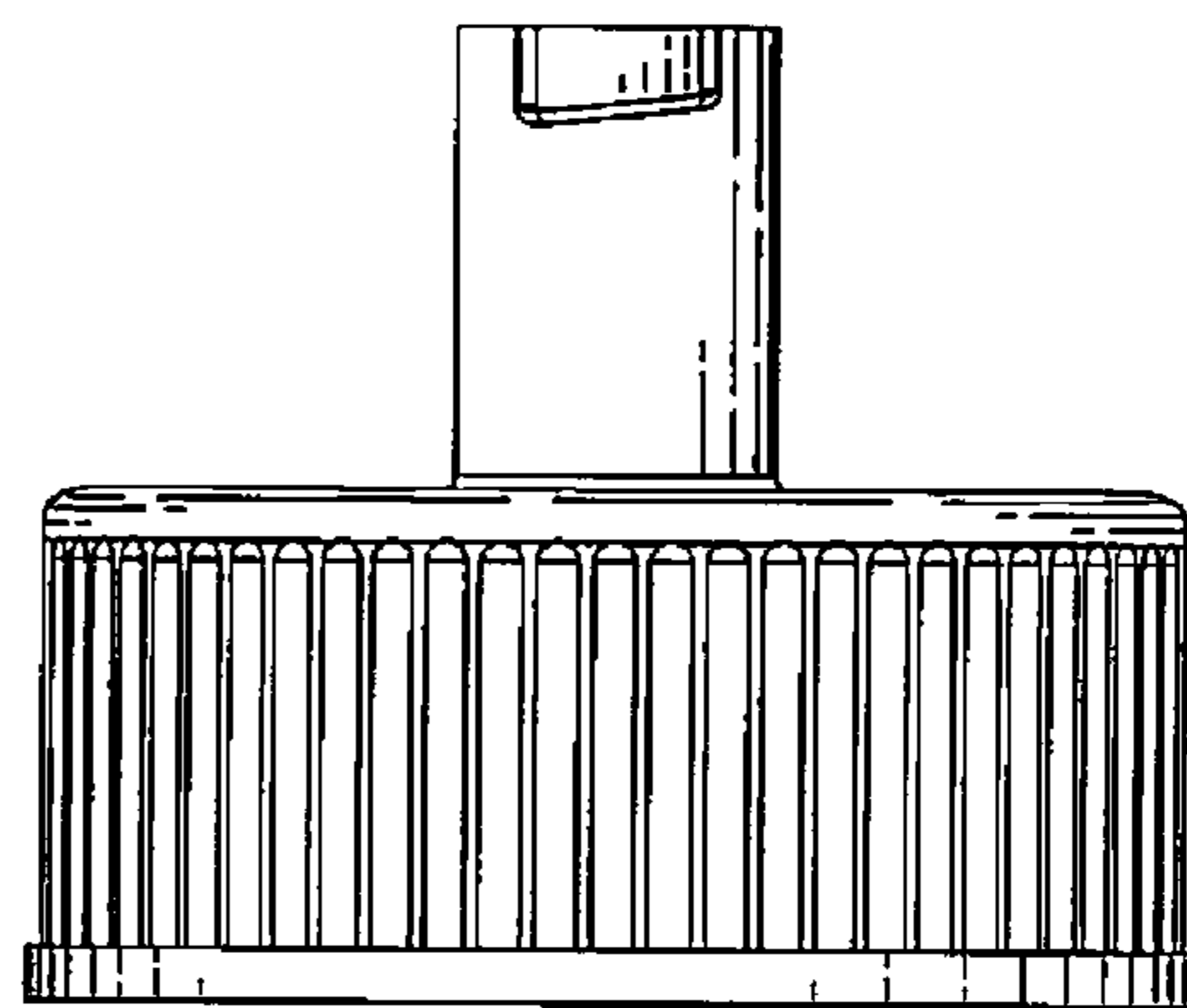


Fig. 5

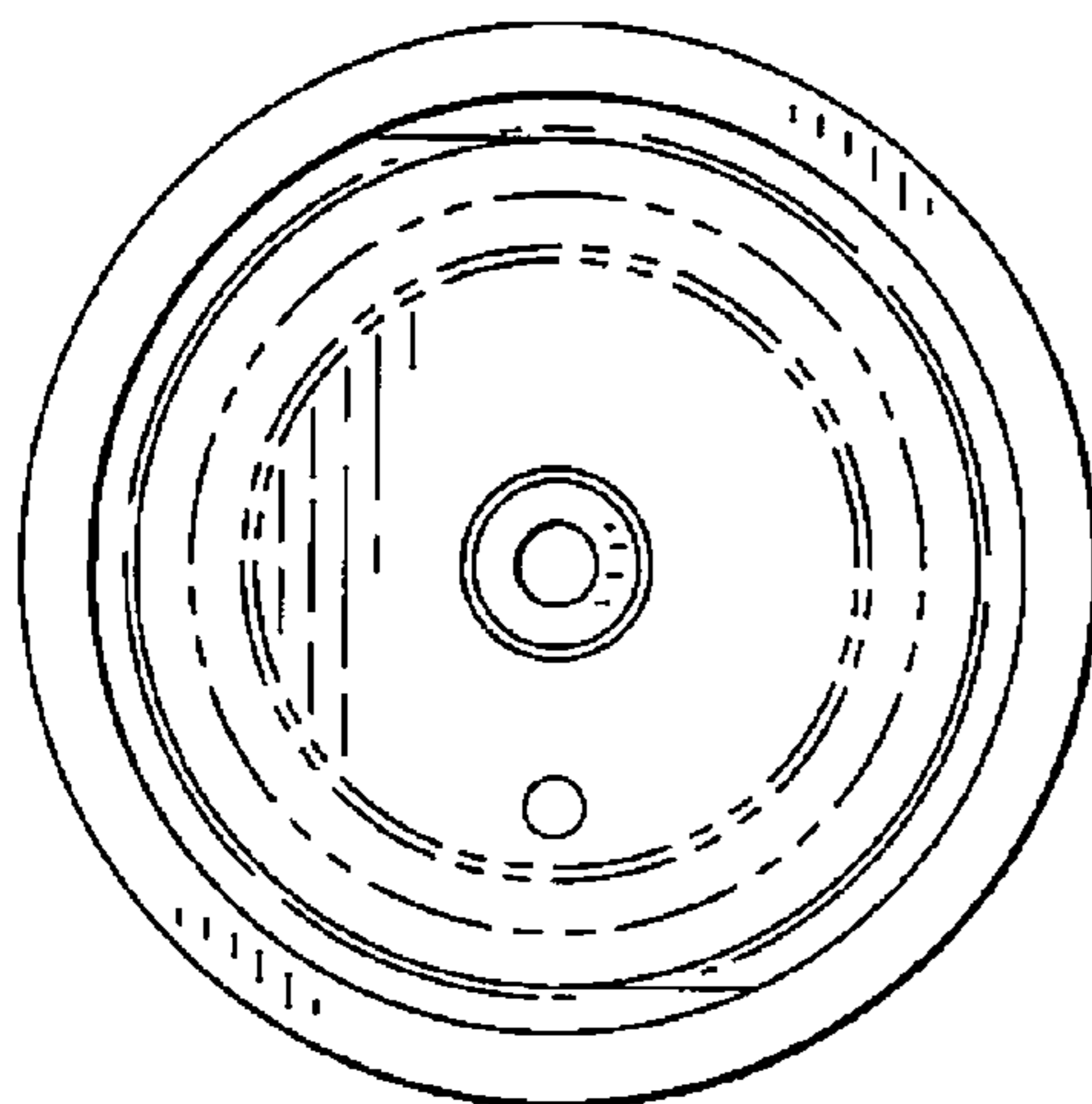


Fig. 6