



US00D708945S

(12) **United States Design Patent**
Jetmar

(10) **Patent No.:** **US D708,945 S**
(45) **Date of Patent:** **** Jul. 15, 2014**

(54) **BOTTLE STOPPER**

(71) Applicant: **Milos Jetmar**, Liberec (CZ)
(72) Inventor: **Milos Jetmar**, Liberec (CZ)
(73) Assignee: **PRECIOSA Gulf FZCO**, Jebel Ali, Dubai (AE)

(**) Term: **14 Years**
(21) Appl. No.: **29/452,190**
(22) Filed: **Apr. 12, 2013**

(30) **Foreign Application Priority Data**

Oct. 15, 2012 (EM) 002118273-0020
Oct. 15, 2012 (EM) 002118273-0021
Oct. 15, 2012 (EM) 002118273-0022
Oct. 15, 2012 (EM) 002118273-0023

(51) **LOC (10) Cl.** **09-07**

(52) **U.S. Cl.**
USPC **D9/439**

(58) **Field of Classification Search**
CPC B65D 39/00
USPC D9/434, 435, 436, 439, 440, 445, 446,
D9/452, 499; D7/392.1; 215/30, 307, 355;
220/203.13, 787; 141/64, 65, 66
See application file for complete search history.

(56) **References Cited**

U.S. PATENT DOCUMENTS

D142,196 S * 8/1945 Swanson D9/439
(Continued)

FOREIGN PATENT DOCUMENTS

EP 001212260-0001 4/2010
EP 001212260-0002 4/2010
EP 001212260-0003 4/2010

Primary Examiner — Robert M Spear
(74) *Attorney, Agent, or Firm* — Reinhart Boerner Van Deuren s.c.

(57) **CLAIM**
The ornamental design for a bottle stopper, as shown and described.

DESCRIPTION

FIG. 1 is an isometric view of a first embodiment of the claimed design from the top and a side thereof;

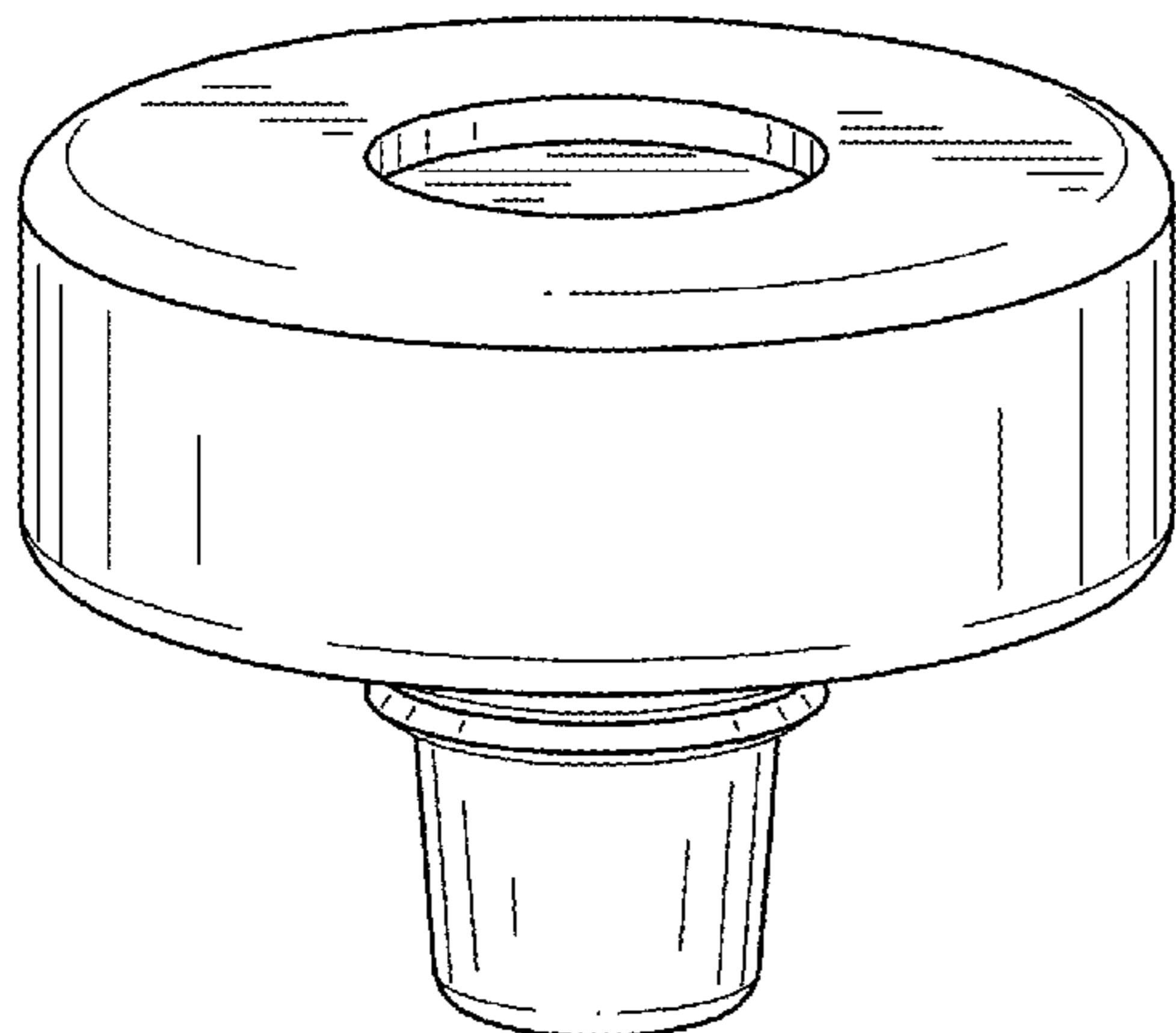
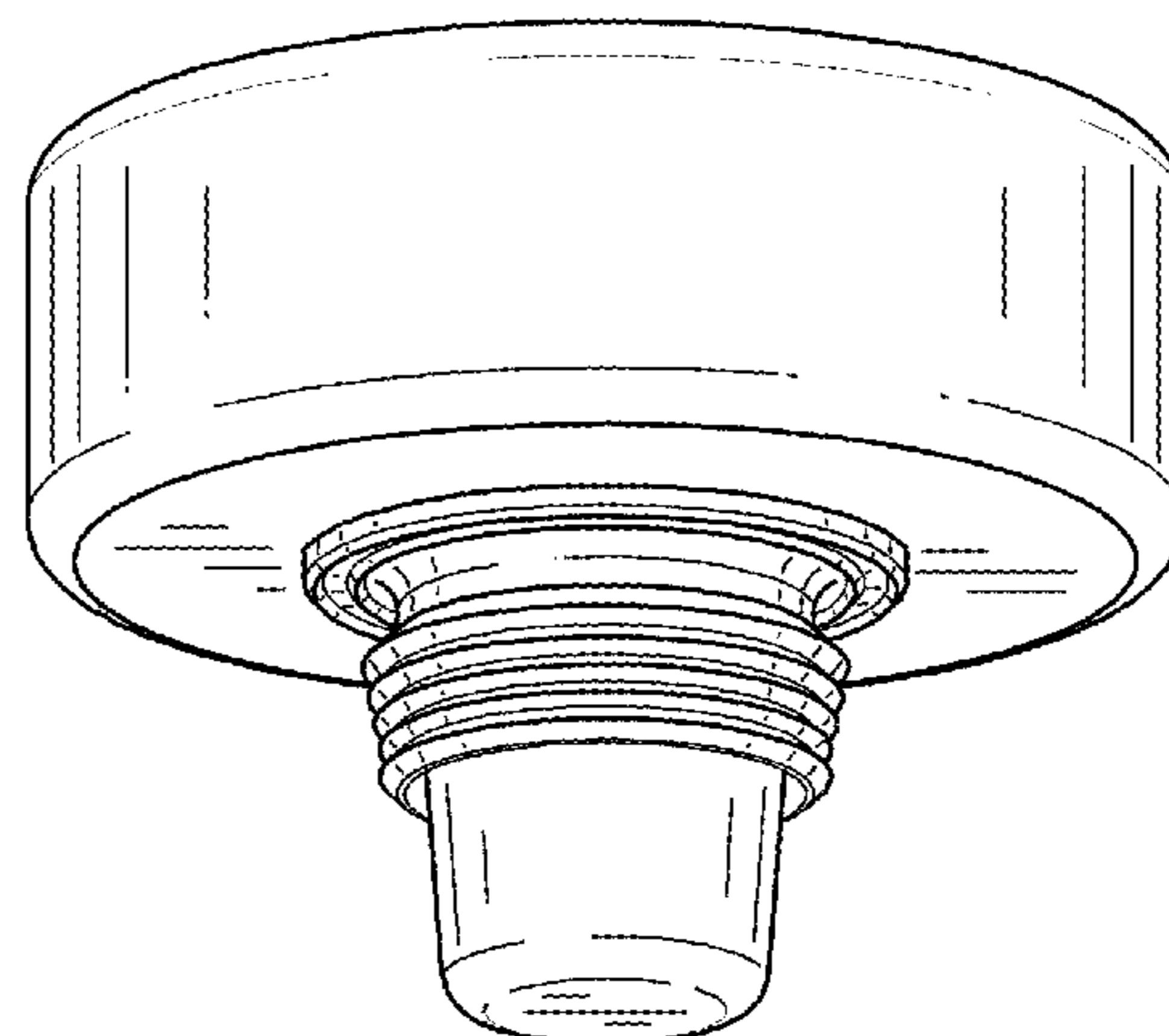


FIG. 2 is an isometric view of the first embodiment of the claimed design of FIG. 1 from the bottom and a side thereof; FIG. 3 is side view of the first embodiment of the claimed design of FIGS. 1 and 2, the side view being identical from all sides of the first embodiment of the claimed design; FIG. 4 is a top plan view of the first embodiment of the claimed design of FIGS. 1-3; FIG. 5 is a bottom plan view of the first embodiment of the claimed design of FIGS. 1-4; FIG. 6 is an isometric view of a second embodiment of the claimed design from the top and a side thereof; FIG. 7 is an isometric view of the second embodiment of the claimed design of FIG. 6 from the bottom and a side thereof; FIG. 8 is side view of the second embodiment of the claimed design of FIGS. 6 and 7, the side view being identical from all sides of the second embodiment of the claimed design; FIG. 9 is a top plan view of the second embodiment of the claimed design of FIGS. 6-8; FIG. 10 is a bottom plan view of the second embodiment of the claimed design of FIGS. 6-9; FIG. 11 is an isometric view of a third embodiment of the claimed design from the top and a side thereof; FIG. 12 is an isometric view of the third embodiment of the claimed design of FIG. 11 from the bottom and a side thereof; FIG. 13 is side view of the third embodiment of the claimed design of FIGS. 11 and 12, the side view being identical from all sides of the third embodiment of the claimed design; FIG. 14 is a top plan view of the third embodiment of the claimed design of FIGS. 11-13; FIG. 15 is a bottom plan view of the third embodiment of the claimed design of FIGS. 11-14; FIG. 16 is an isometric view of a fourth embodiment of the claimed design from the top and a side thereof; FIG. 17 is an isometric view of the fourth embodiment of the claimed design of FIG. 16 from the bottom and a side thereof; FIG. 18 is side view of the fourth embodiment of the claimed design of FIGS. 16 and 17, the side view being identical from all sides of the fourth embodiment of the claimed design; FIG. 19 is a top plan view of the fourth embodiment of the claimed design of FIGS. 16-18; and, FIG. 20 is a bottom plan view of the fourth embodiment of the claimed design of FIGS. 16-19.

1 Claim, 8 Drawing Sheets



(56)

References Cited

U.S. PATENT DOCUMENTS

D157,332 S *	2/1950	Bolard	D9/439	D420,589 S *	2/2000	Baxter	D9/439
3,025,991 A *	3/1962	Gillon	215/311	D617,427 S *	6/2010	McNamara	D23/261
3,326,401 A *	6/1967	De Long	215/308	D620,358 S *	7/2010	Jewett et al.	D9/454
3,559,834 A *	2/1971	Taylor	215/261	D628,077 S *	11/2010	Lee	D9/529
3,854,617 A *	12/1974	Edwards	215/364	D643,721 S *	8/2011	Blinn	D9/440
3,944,104 A *	3/1976	Watson et al.	215/307	8,657,157 B2 *	2/2014	Blinn	222/1
D256,721 S *	9/1980	Boller et al.	D12/197	2005/0167390 A1	8/2005	Dubs et al.	
D268,482 S *	4/1983	Mineo	D9/439	2006/0283829 A1	12/2006	Dubs et al.	
D280,080 S *	8/1985	Miskinis	D9/439	2007/0045217 A1 *	3/2007	Cho	215/236
D341,779 S *	11/1993	Lewis	D9/435	2008/0053950 A1	3/2008	Soldan et al.	
				2010/0012614 A1	1/2010	Dubs et al.	
				2010/0252524 A1	10/2010	Dubs et al.	
				2011/0147335 A1 *	6/2011	Garcia	215/230

* cited by examiner

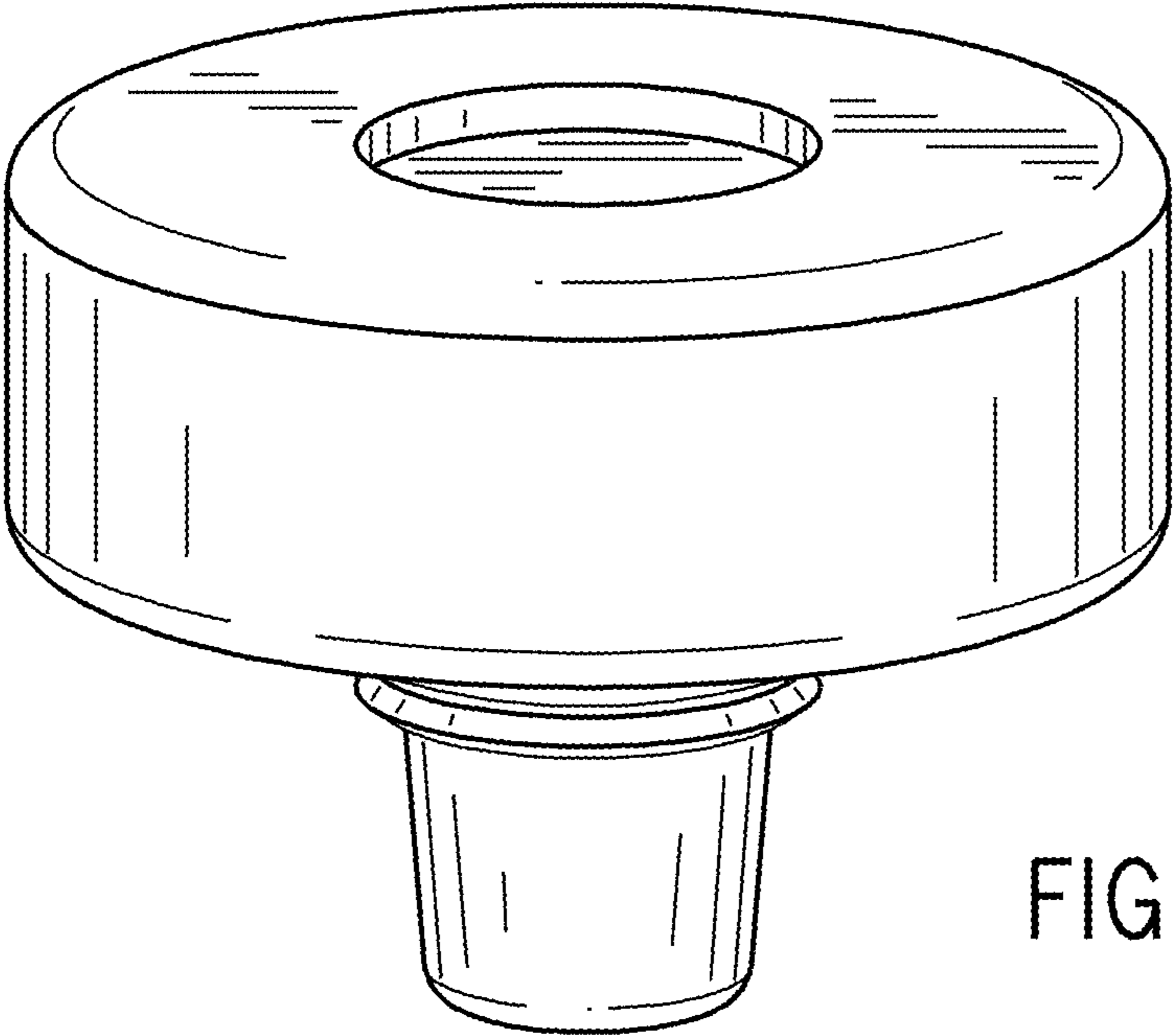


FIG. 1

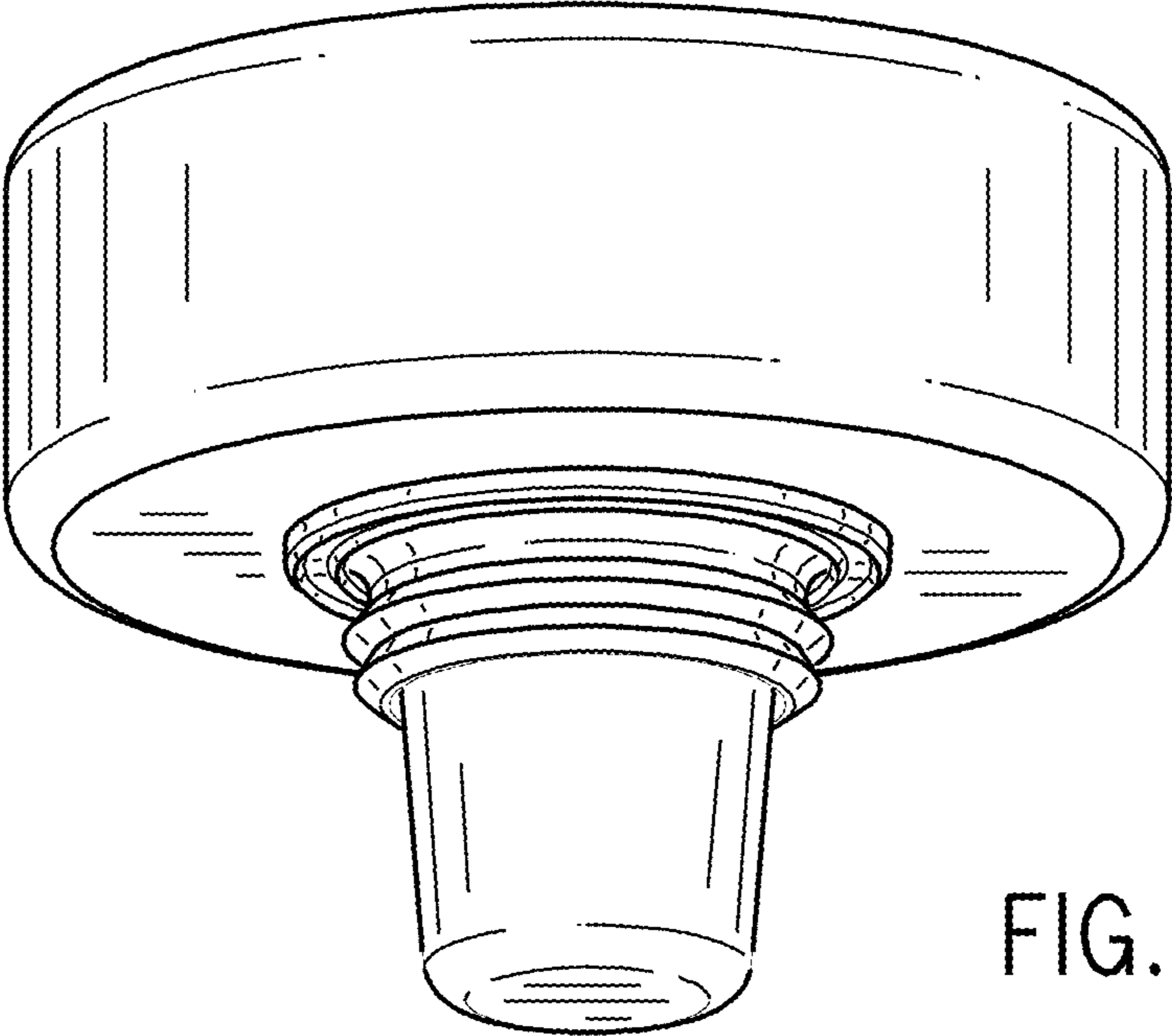


FIG. 2

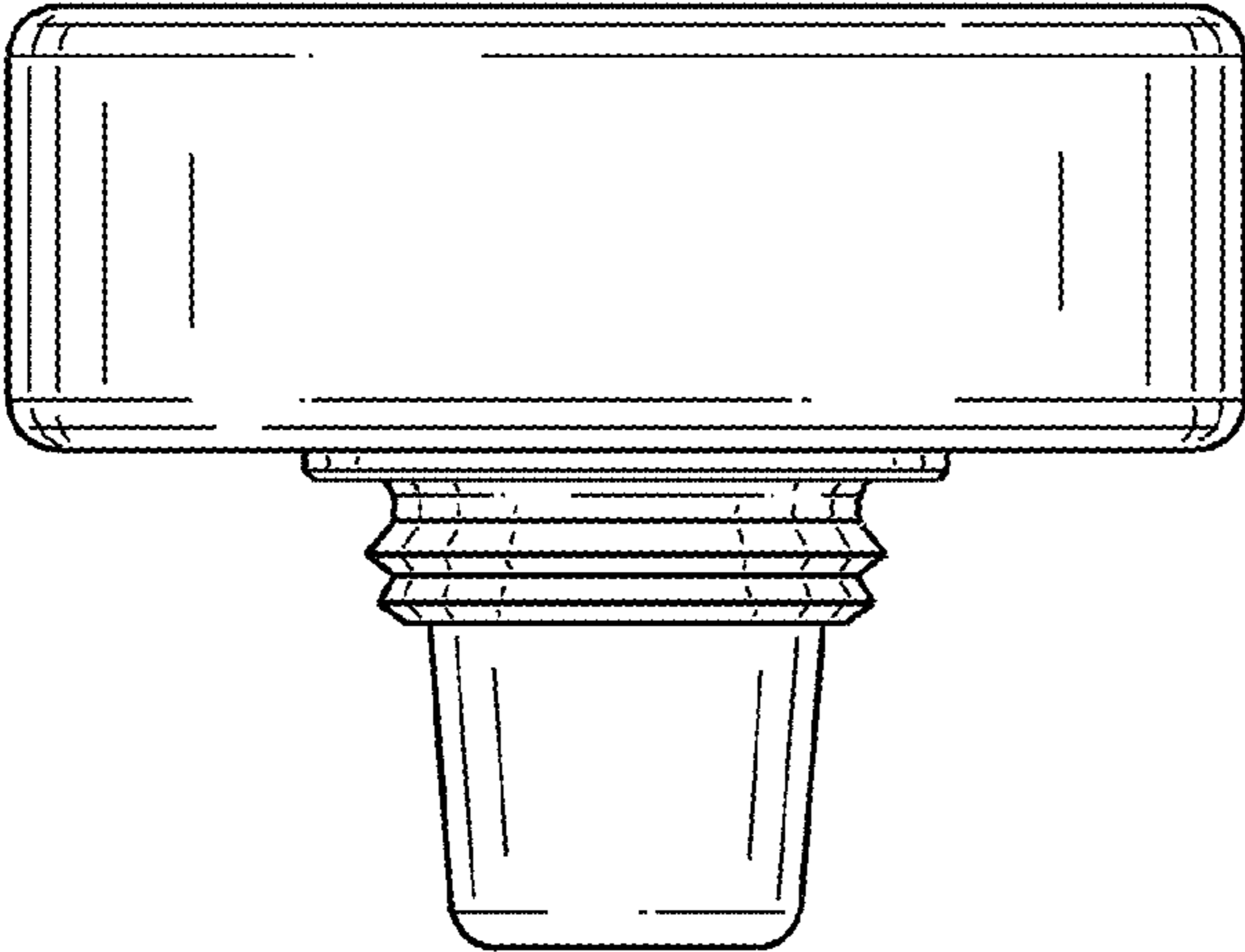


FIG. 3

FIG. 4

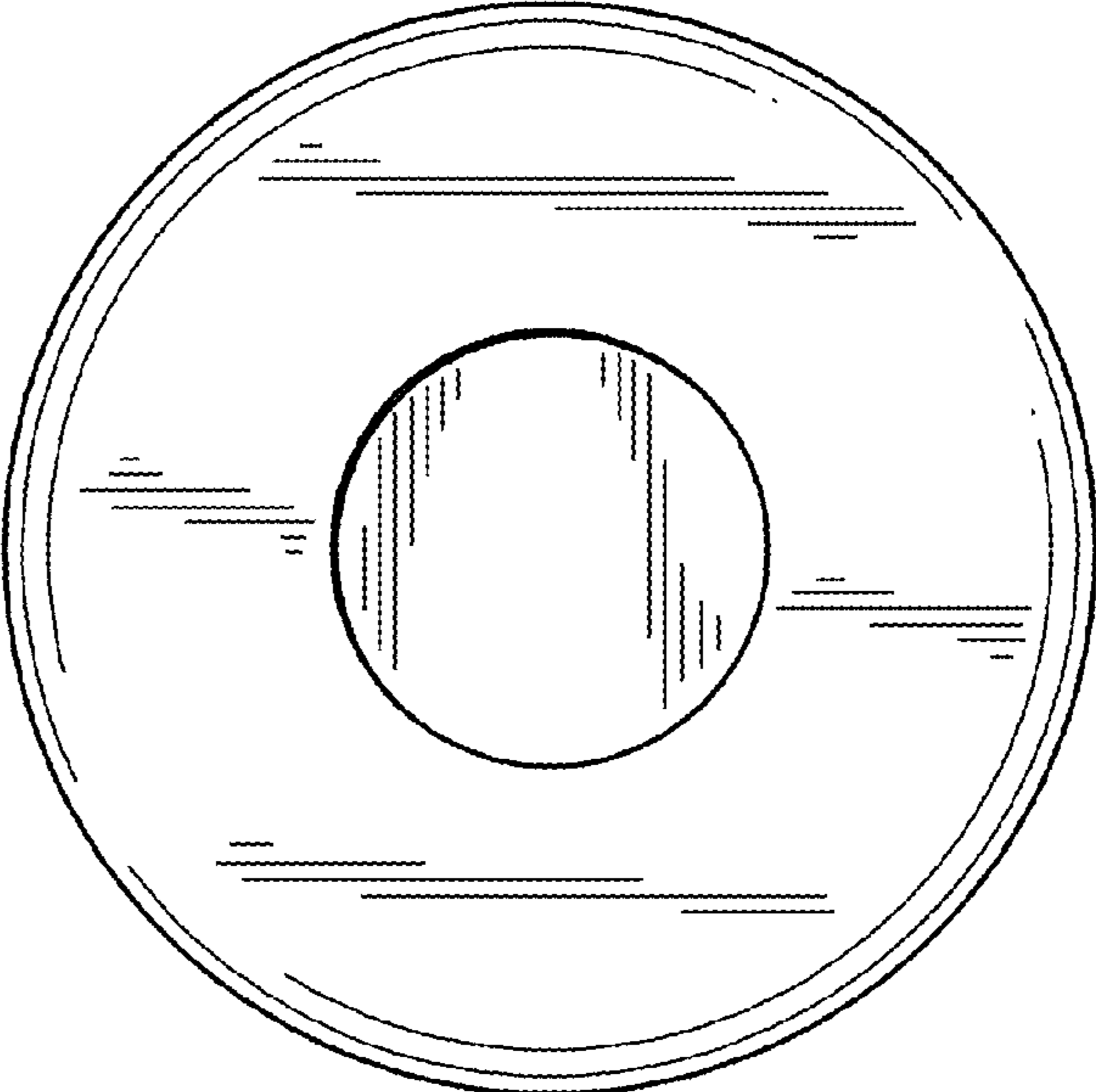
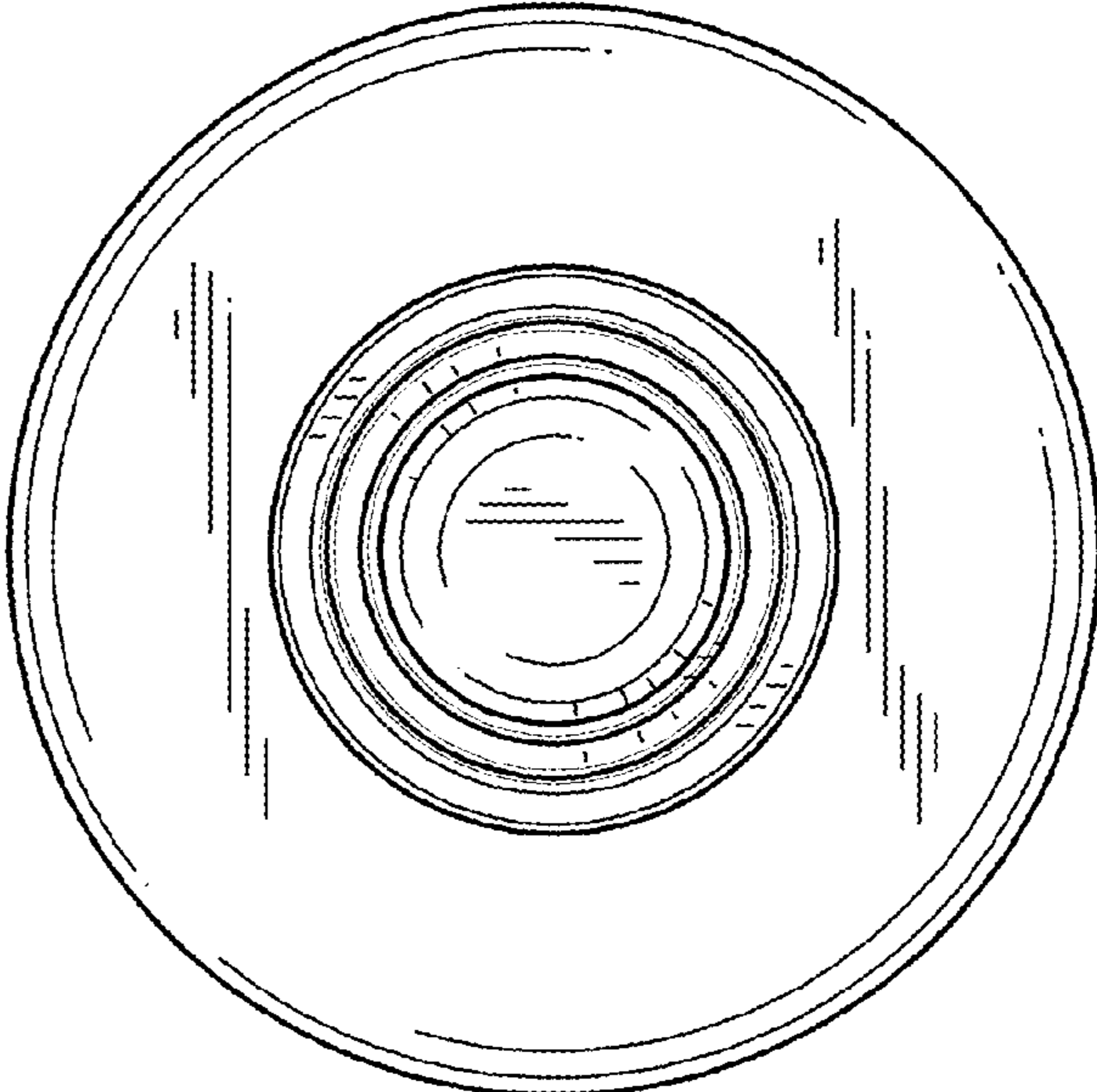


FIG. 5



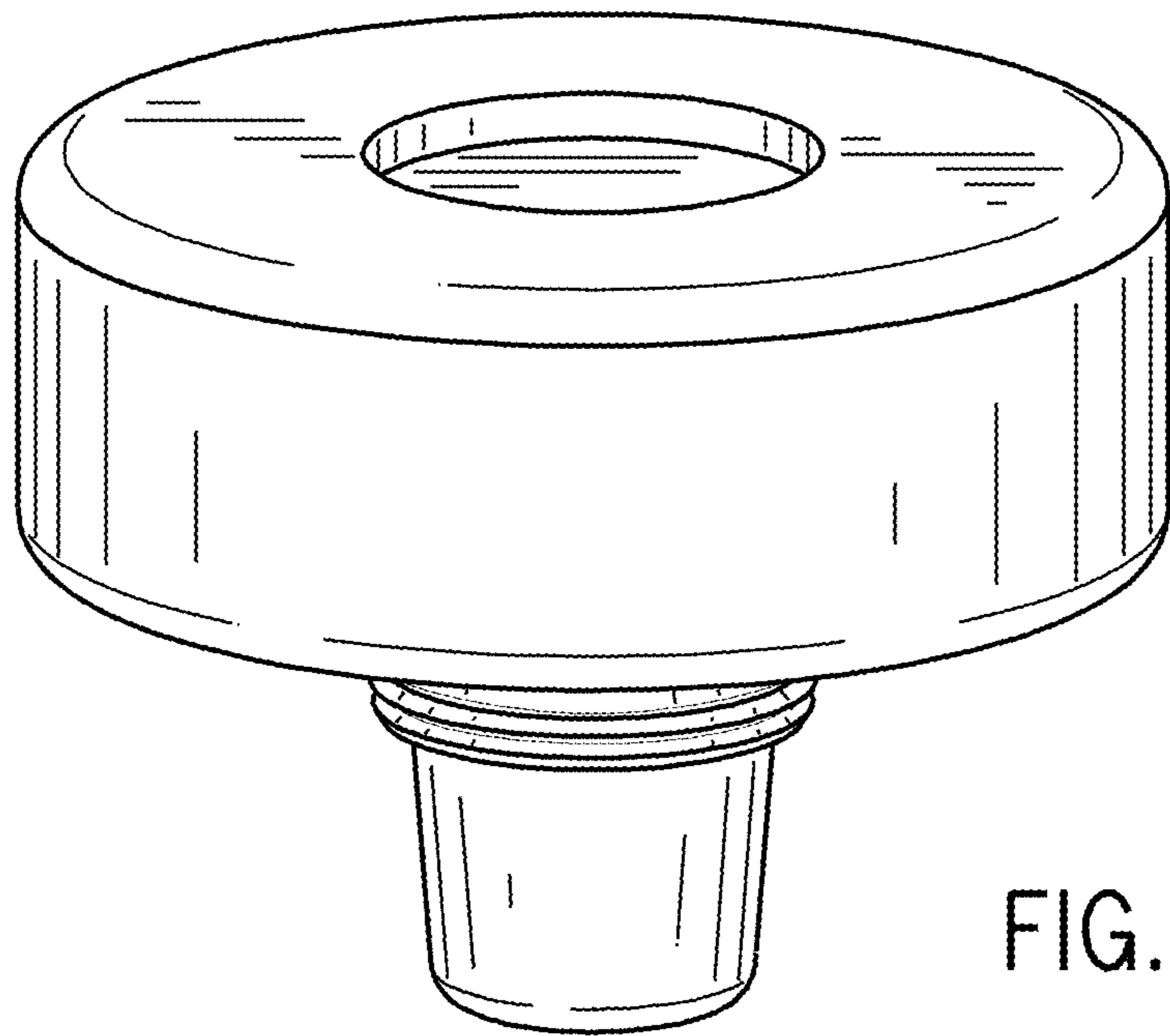


FIG. 6

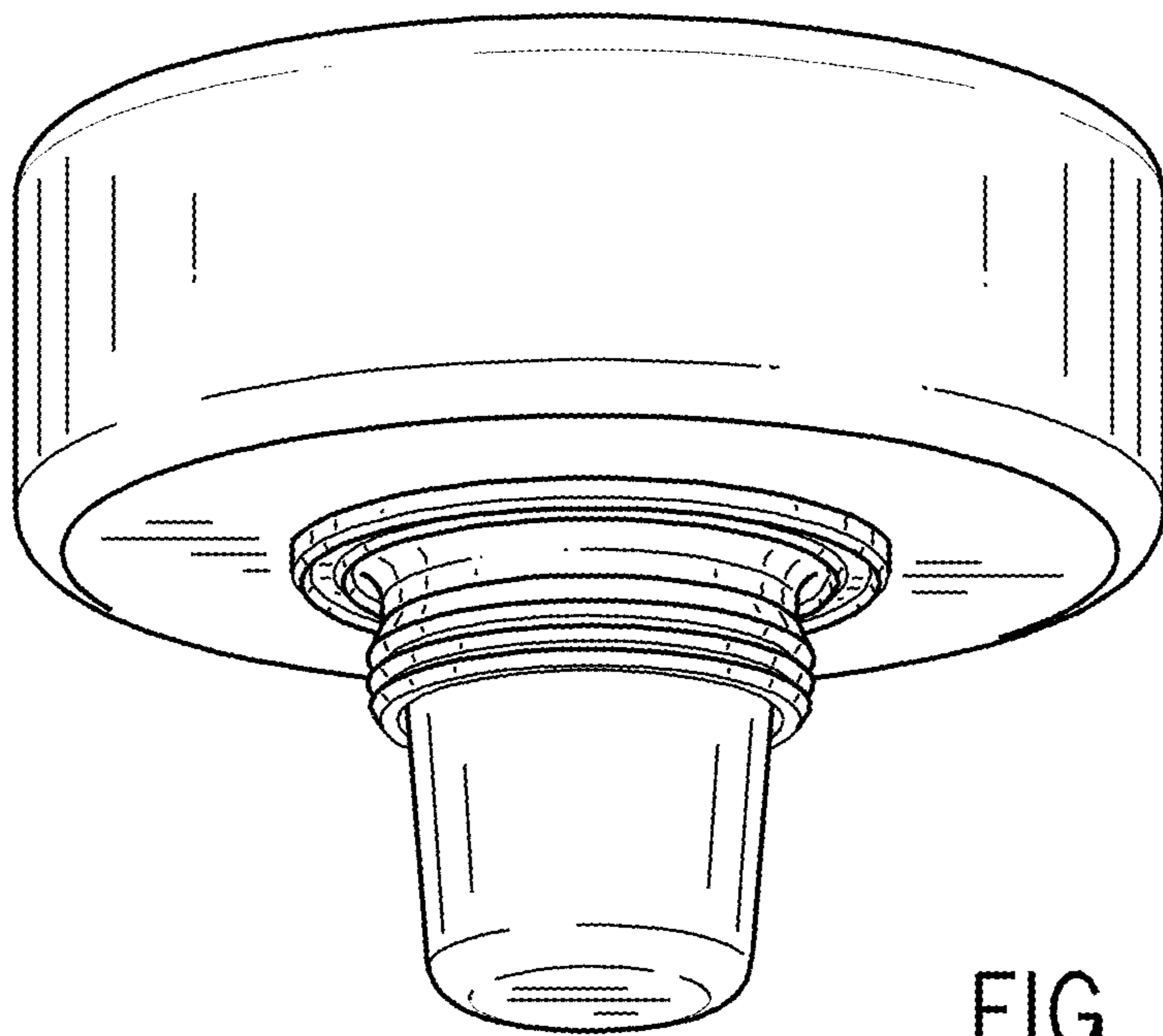


FIG. 7

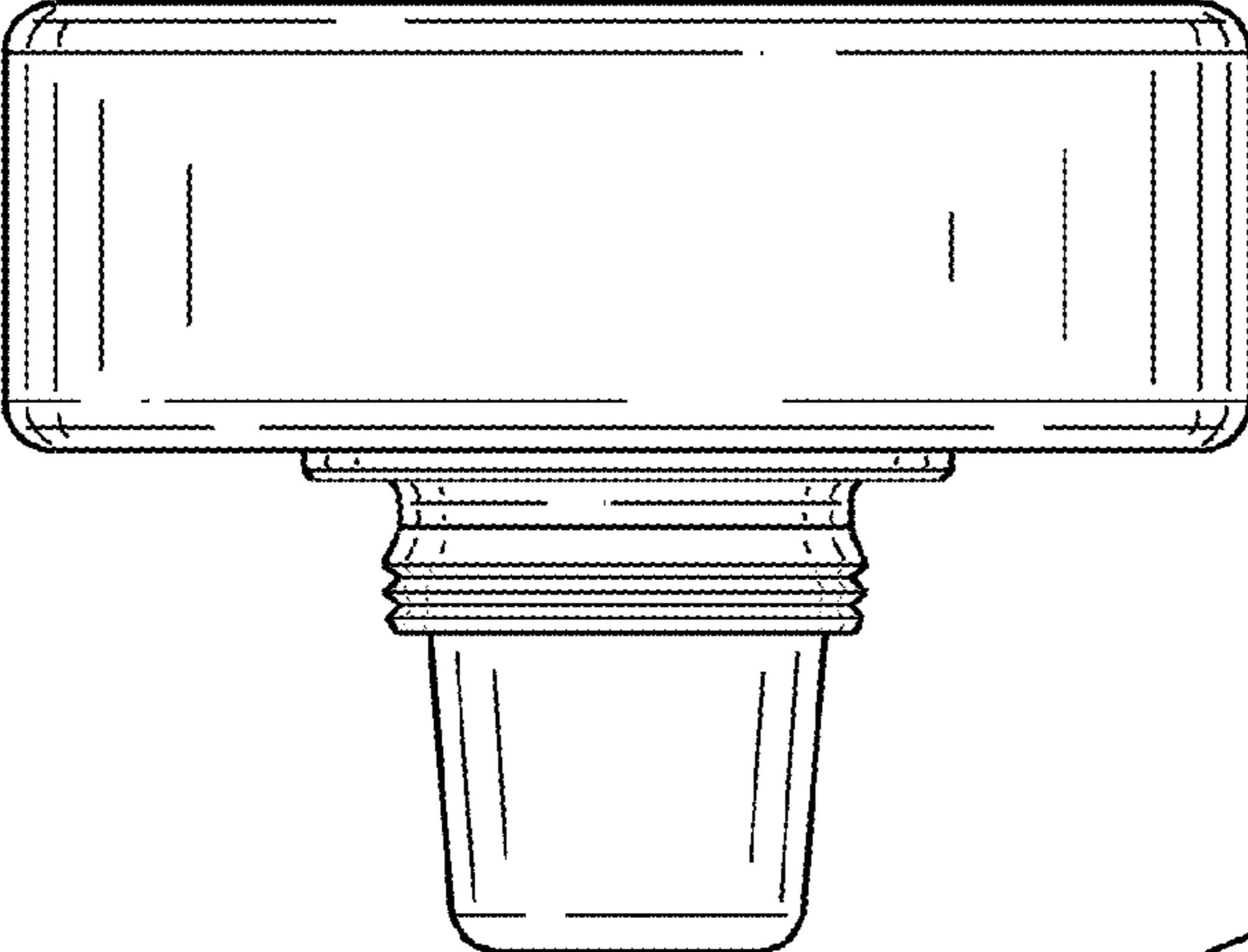


FIG. 8

FIG. 9

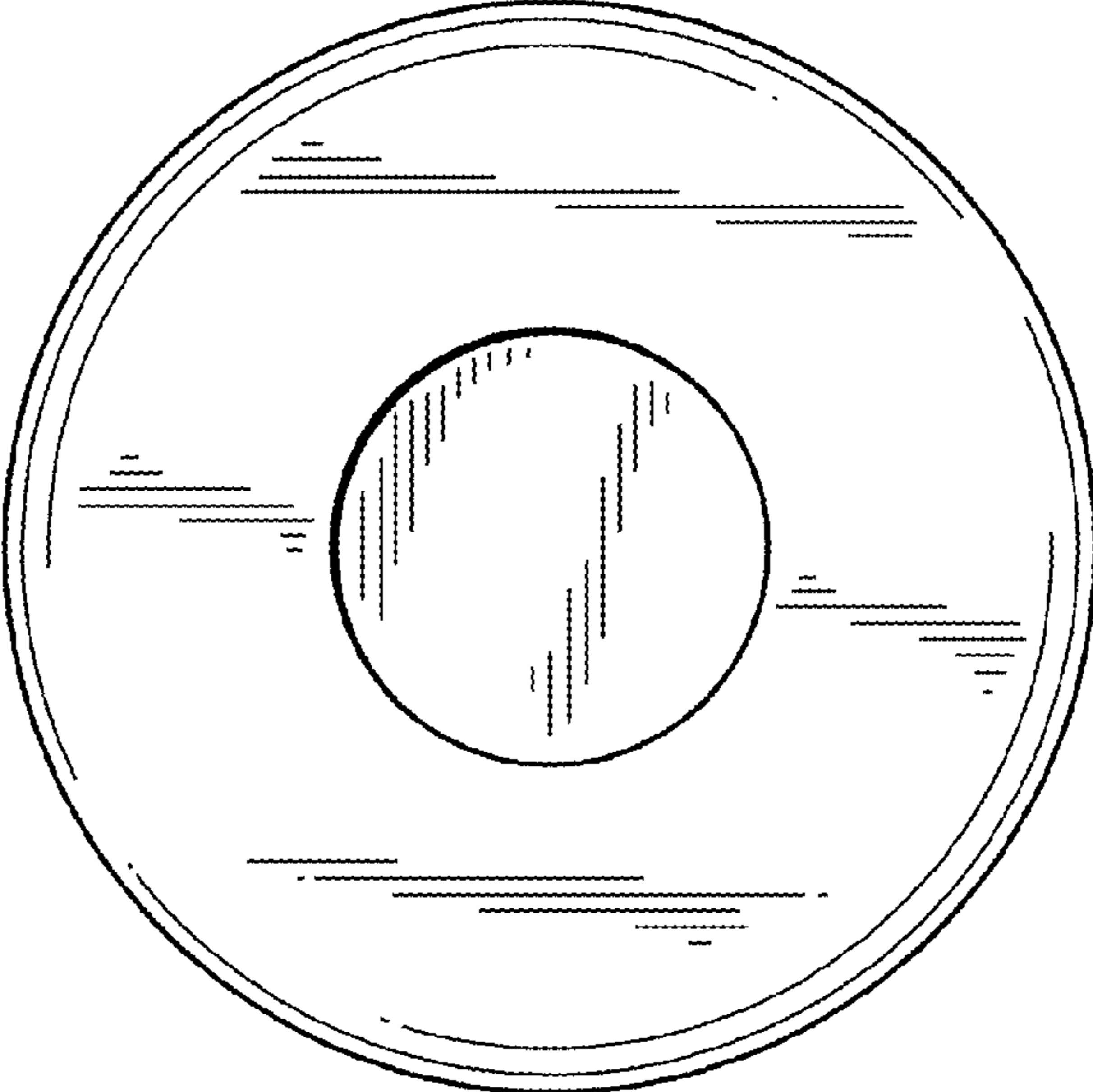
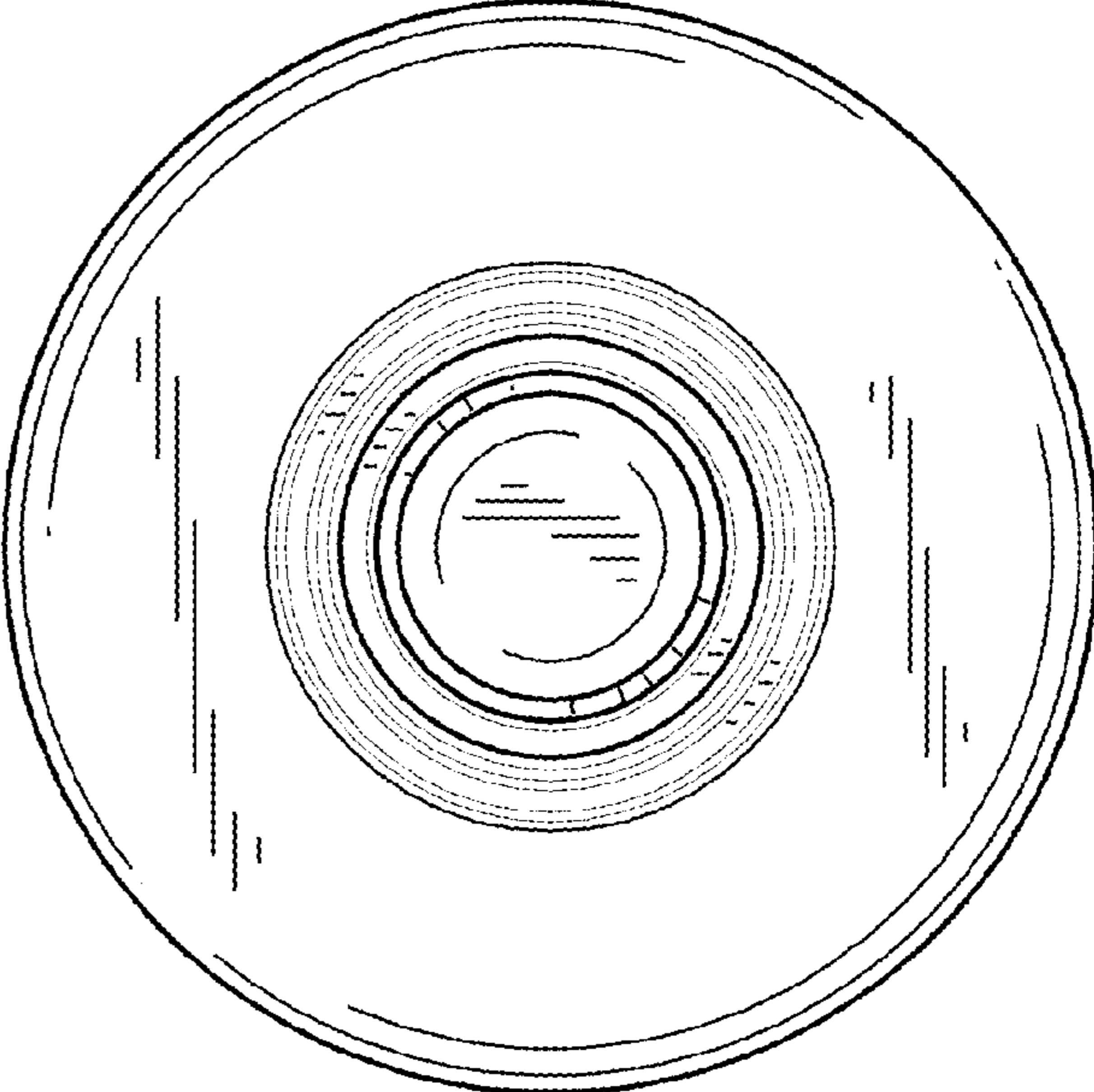


FIG. 10



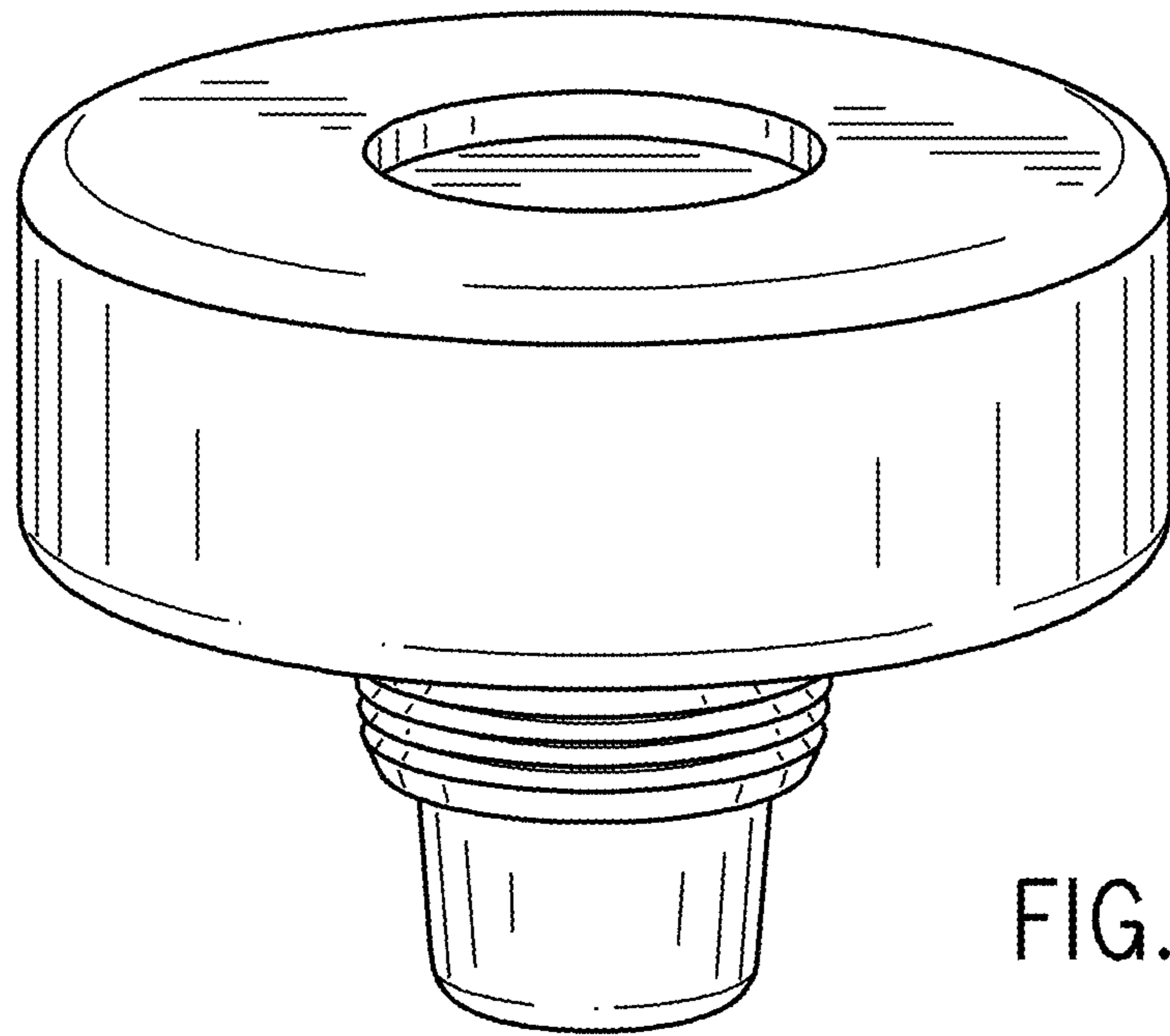


FIG. 11

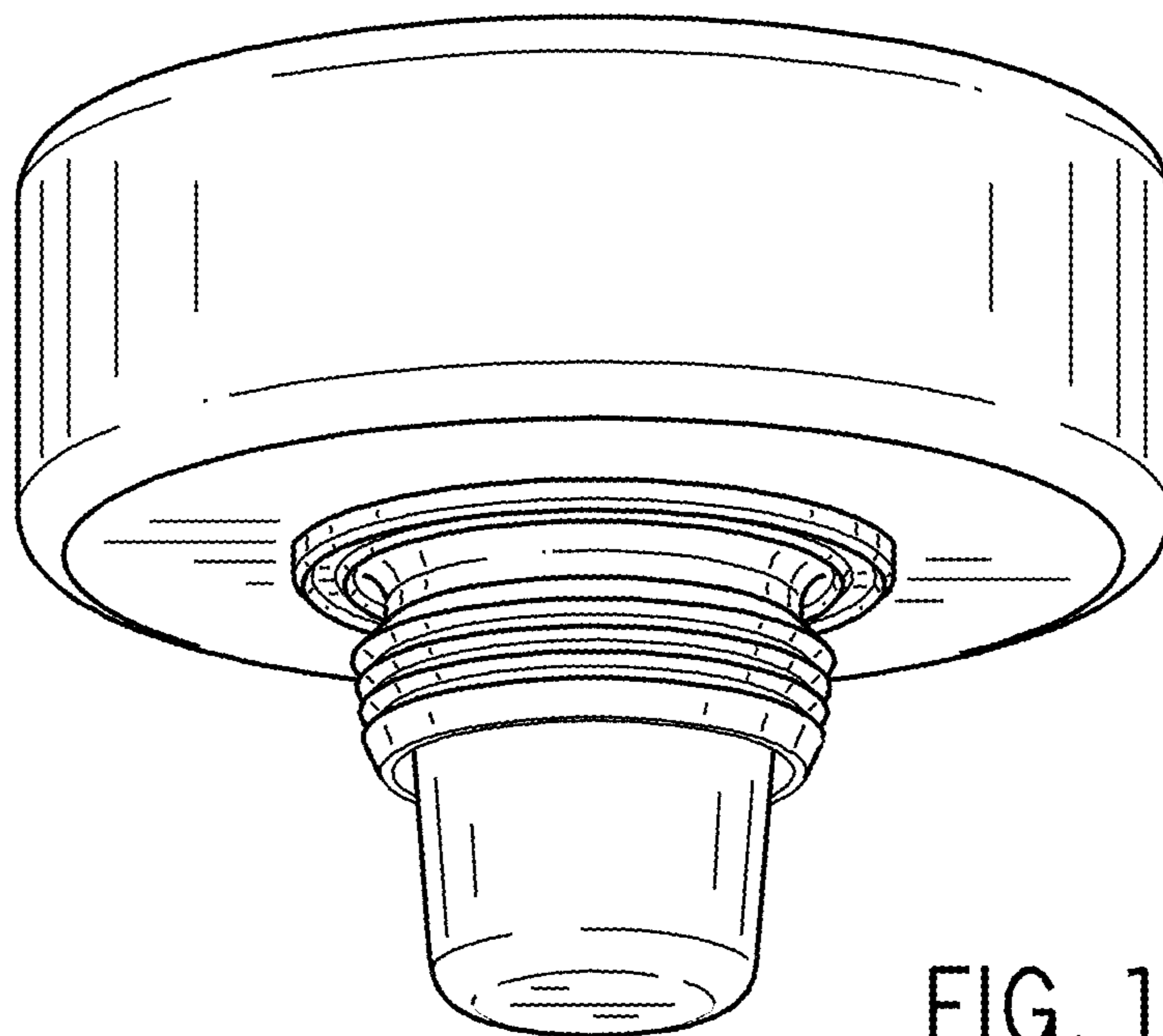


FIG. 12

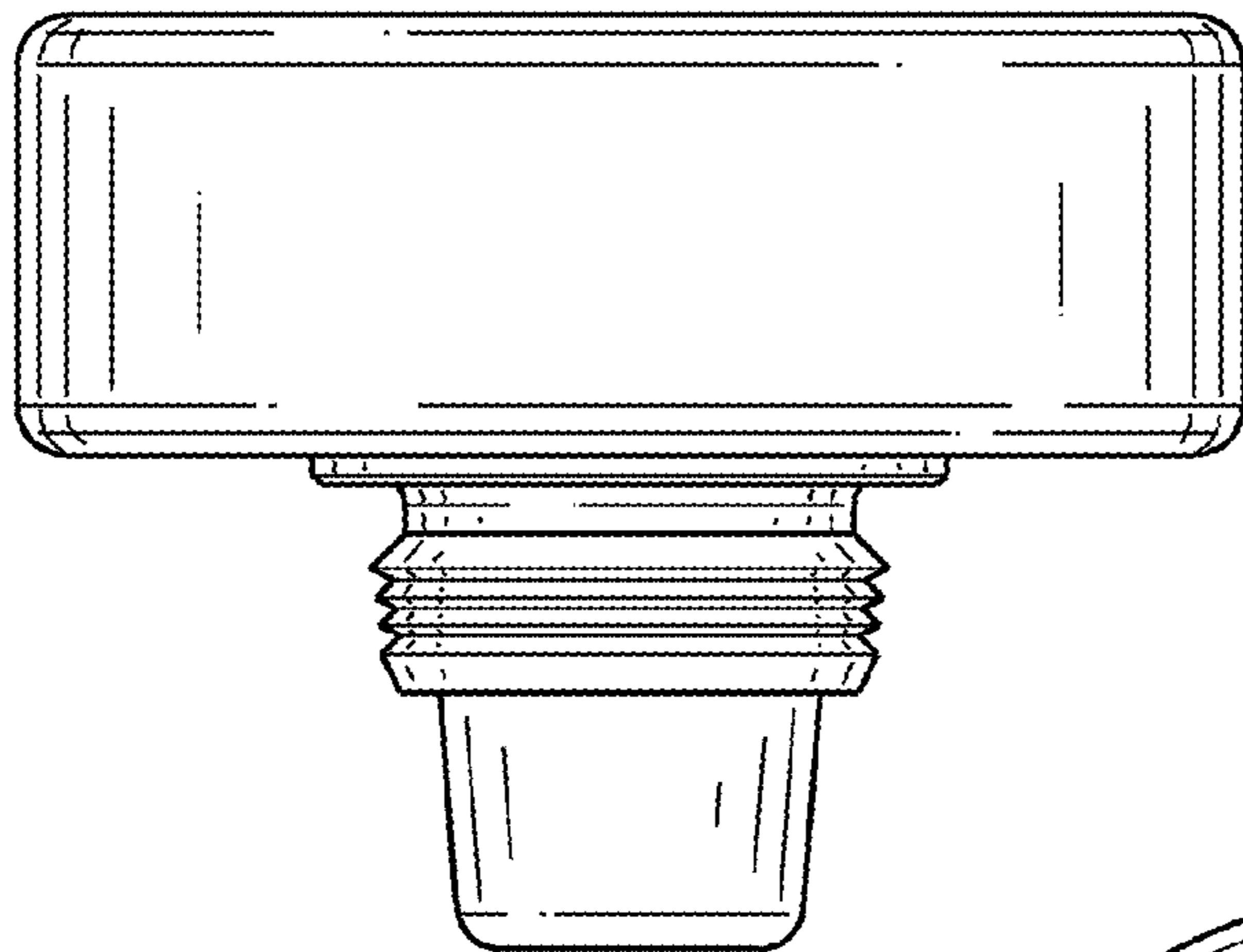


FIG. 13

FIG. 14

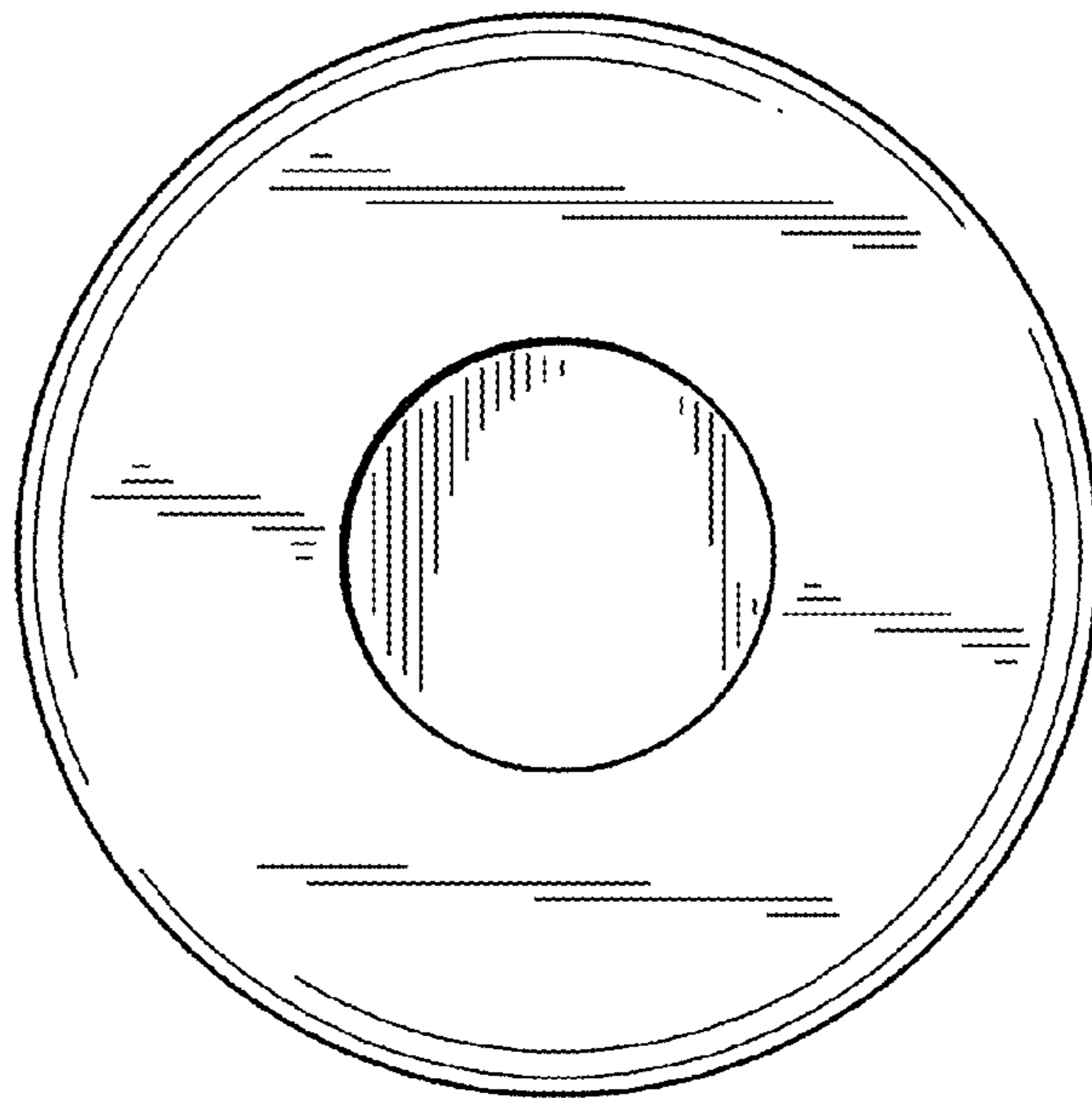
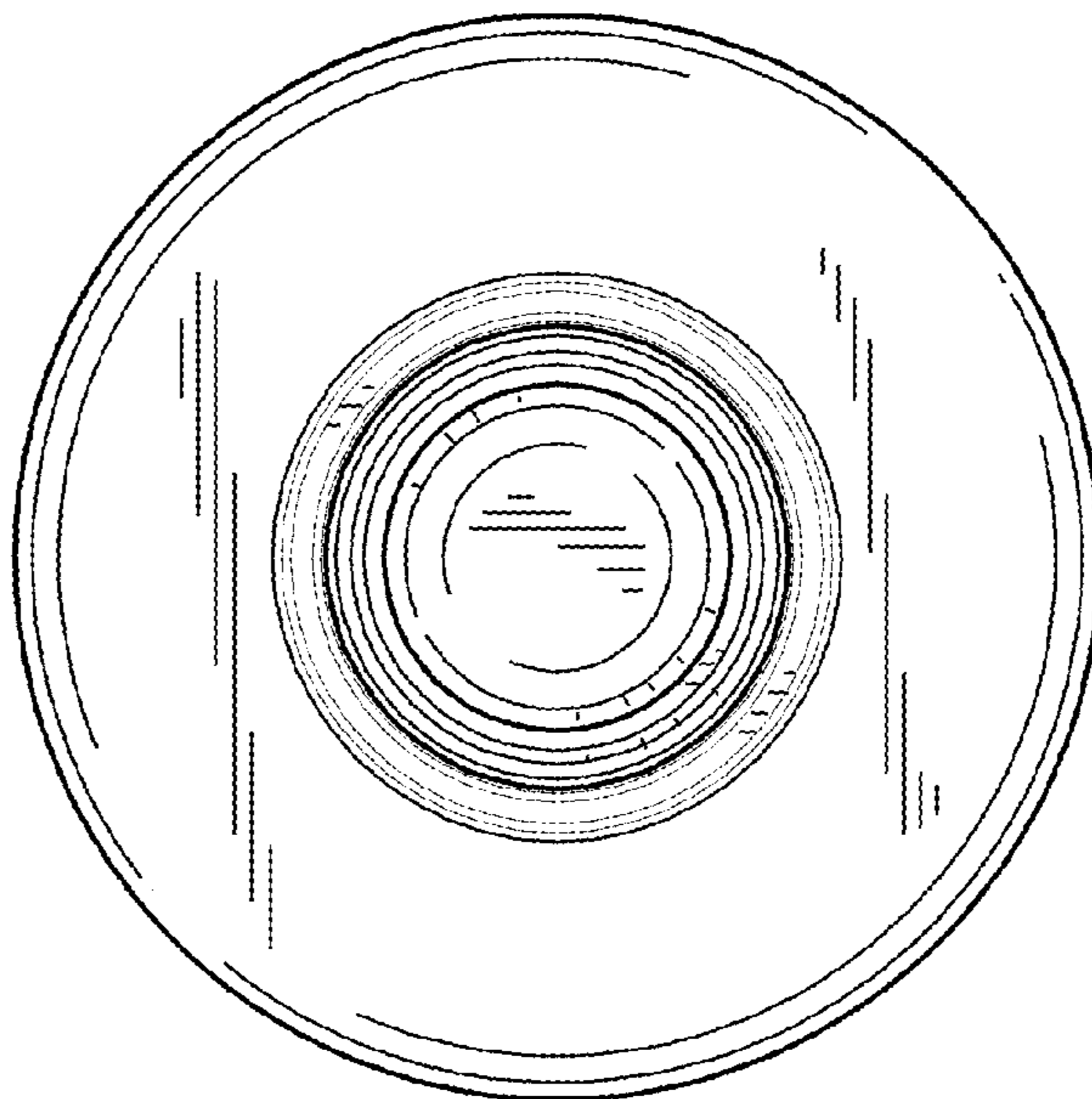


FIG. 15



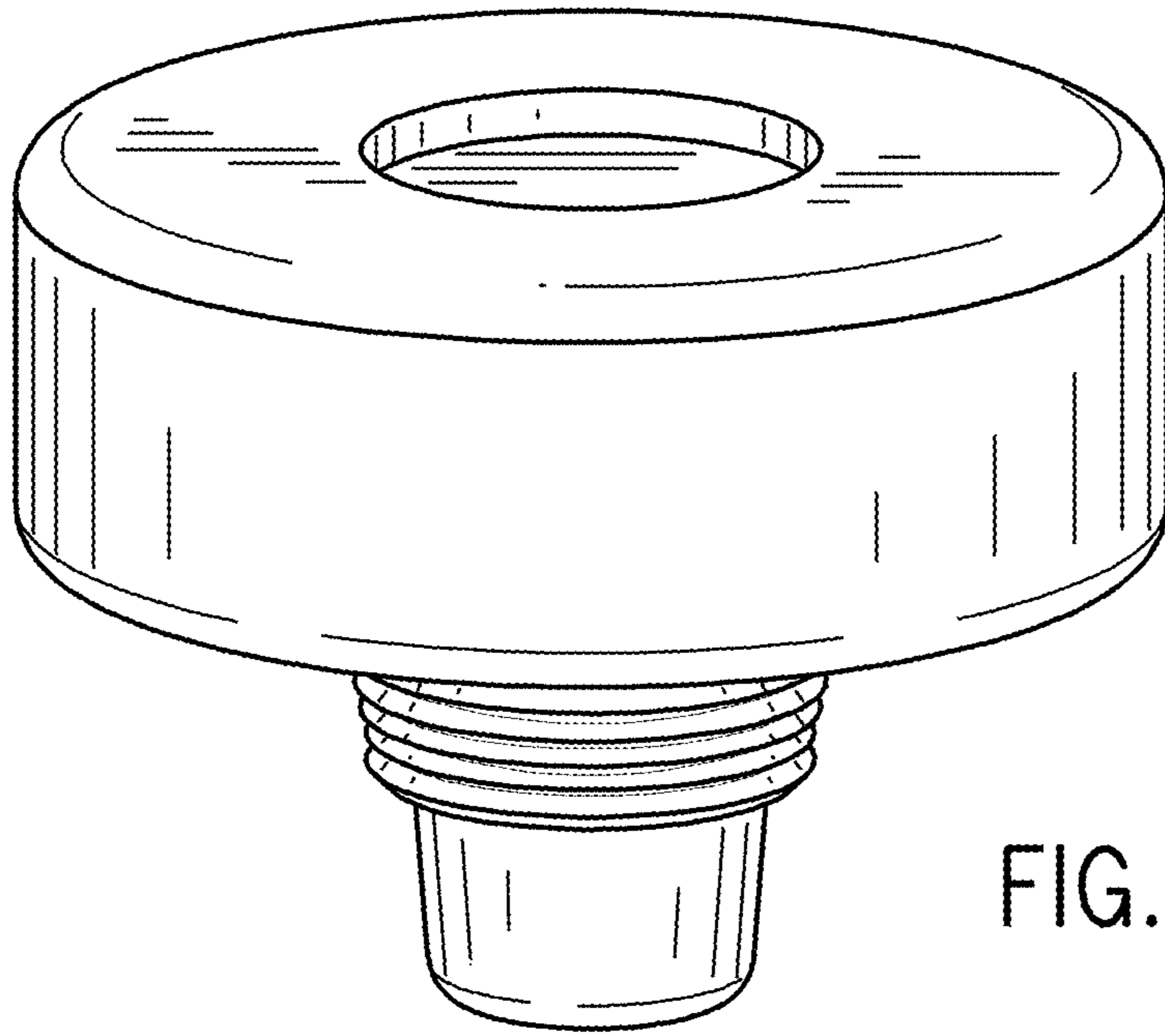


FIG. 16

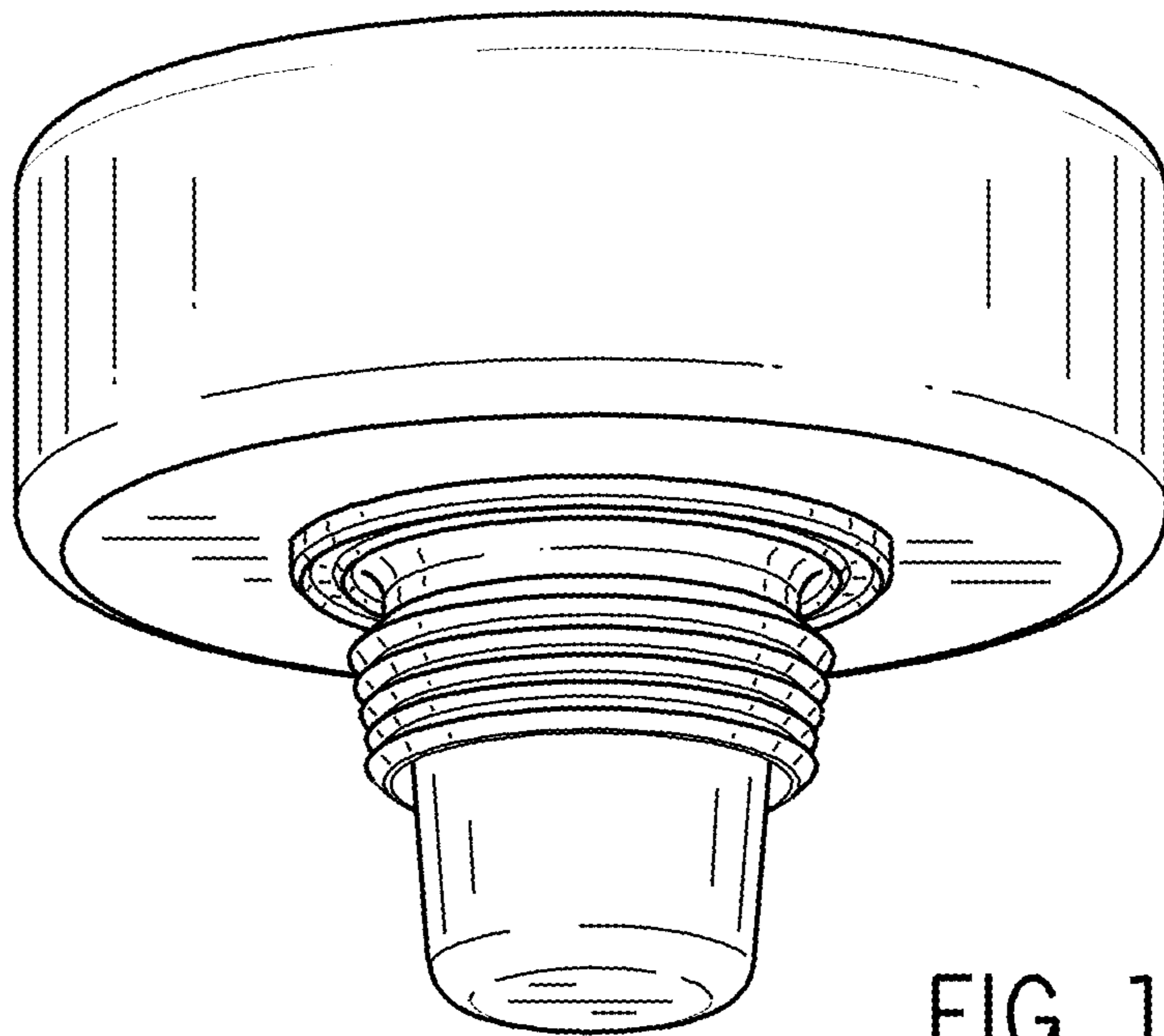


FIG. 17

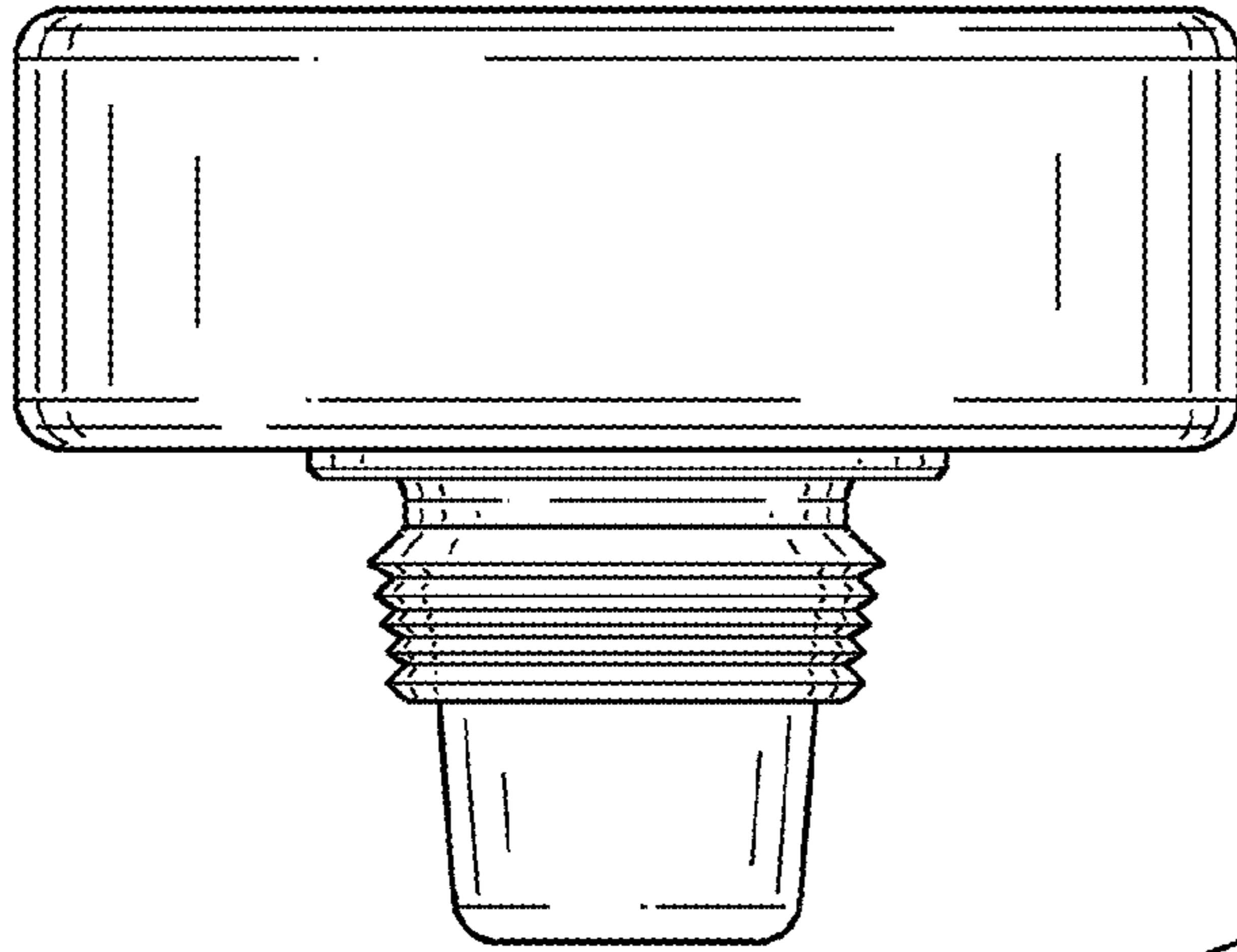


FIG. 18

FIG. 19

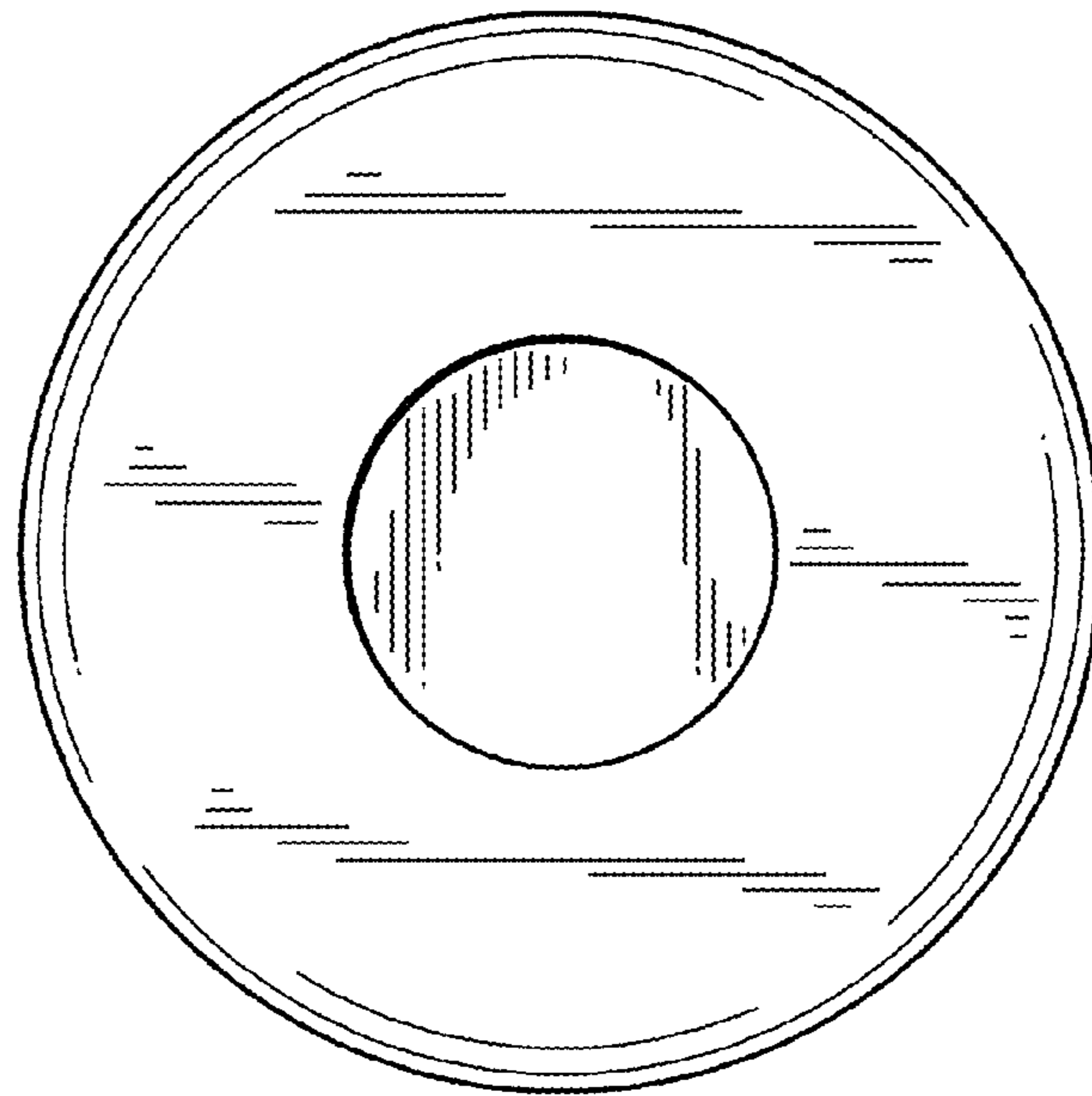


FIG. 20

