



US00D708944S

(12) **United States Design Patent**
van Goolen

(10) **Patent No.:** **US D708,944 S**
(45) **Date of Patent:** **** Jul. 15, 2014**

(54) **CAN CAP**

(75) Inventor: **Corstiaan Johannes van Goolen**,
Hoogblokland (NL)

(73) Assignee: **Save-Ty Can Cap B.V.**, Galder (NL)

(**) Term: **14 Years**

(21) Appl. No.: **29/415,585**

(22) Filed: **Mar. 12, 2012**

(30) **Foreign Application Priority Data**

Sep. 12, 2011 (EM) 001915679-0001

(51) **LOC (10) Cl.** **09-07**

(52) **U.S. Cl.**
USPC **D9/438**

(58) **Field of Classification Search**

USPC D7/392.1, 510, 511; D9/420, 434, 435,
D9/436, 438, 440, 442, 443, 446, 447, 448,
D9/449, 450, 453, 455, 543, 538, 763,
D9/780; 215/213, 216, 224, 306;
220/254.1, 254.3, 254.4, 254.7, 253,
220/258.5, 269, 270, 273, 276, 281, 283,
220/288, 703, 711, 719, 730, 833, 837

See application file for complete search history.

(56) **References Cited**

U.S. PATENT DOCUMENTS

D53,182 S * 4/1919 Roberts D9/445
D203,713 S * 2/1966 Khoury D9/438
3,297,192 A * 1/1967 Swett 220/840
D308,169 S * 5/1990 Auman D9/446
D372,866 S * 8/1996 Ahern, Jr. D9/449
5,743,444 A * 4/1998 Beck et al. 222/521
D404,646 S * 1/1999 Black et al. D9/446
D417,583 S * 12/1999 Demore D7/392.1
5,996,859 A * 12/1999 Beck 222/556

D418,364 S * 1/2000 Demore D7/392.1
D459,992 S * 7/2002 Olsen D9/447
D460,359 S * 7/2002 Olsen D9/447
D487,227 S * 3/2004 Haley D9/439
6,832,706 B2 * 12/2004 Hearld et al. 222/494
D538,653 S * 3/2007 Robinson D9/449
D600,552 S * 9/2009 Subotic D9/438
D612,236 S * 3/2010 Sturk D9/446
D643,722 S * 8/2011 Gorskey et al. D9/446
D651,898 S * 1/2012 Hess D9/435
2007/0272646 A1 * 11/2007 Lancesseur et al. 215/224
2008/0116204 A1 * 5/2008 Ohse 220/254.6

* cited by examiner

Primary Examiner — Susan Bennett Hattan

Assistant Examiner — Leanne Was

(74) *Attorney, Agent, or Firm* — Hovey Williams LLP

(57) **CLAIM**

The ornamental design for a can cap, as shown and described.

DESCRIPTION

FIG. 1 is a left front perspective view of a can cap showing my new design in an opened condition;

FIG. 2 is a left rear perspective view thereof;

FIG. 3 is a left side elevational view thereof, the right side elevational view being a mirror image;

FIG. 4 is a top plan view thereof in a closed condition;

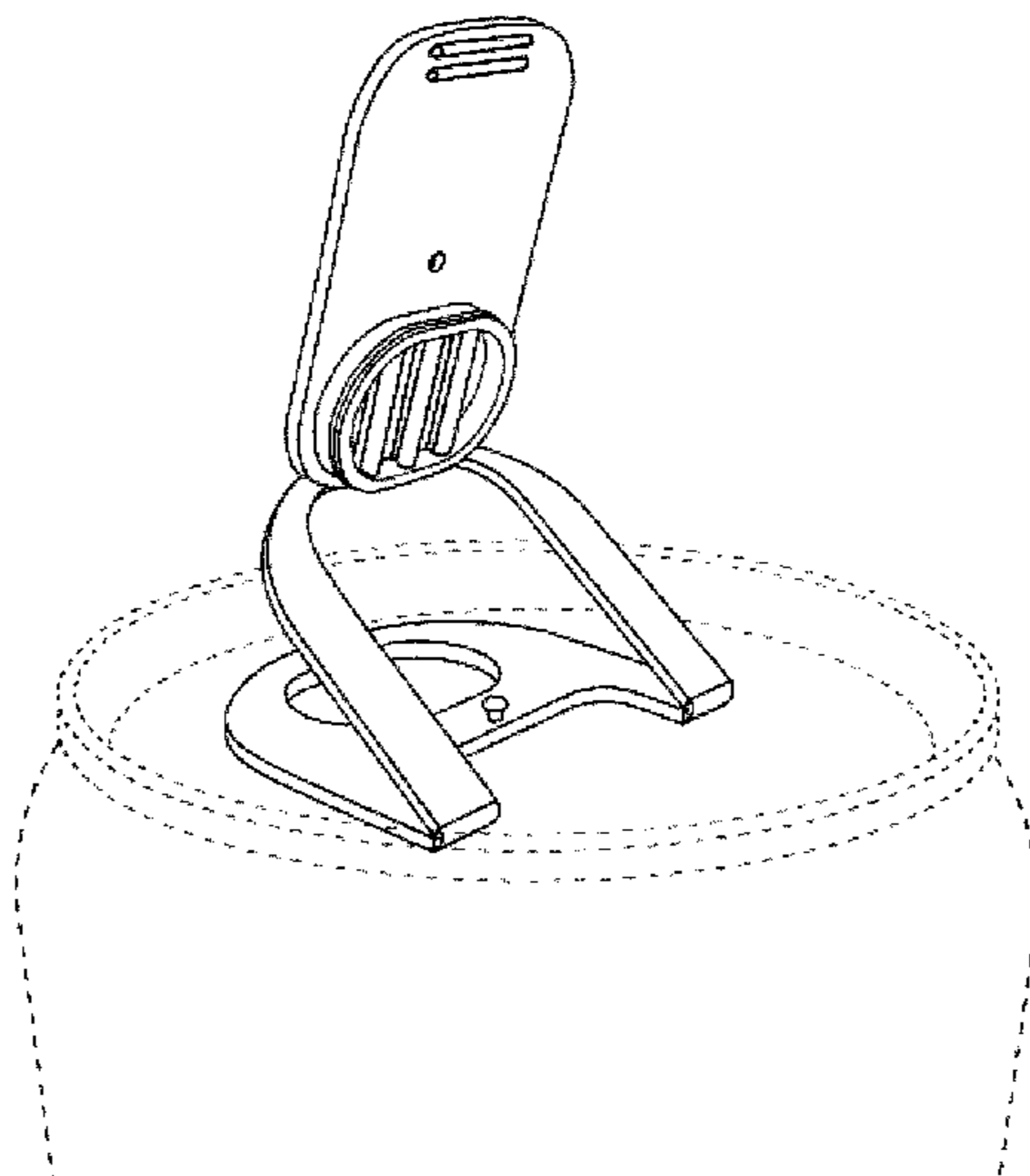
FIG. 5 is a left side elevational view thereof in a closed condition, the right side elevational view being a mirror image;

FIG. 6 is an enlarged left side elevational view thereof similar to FIG. 5, the right side elevational view being a mirror image; and,

FIG. 7 is an enlarged left side elevational view thereof similar to FIG. 3, the right side elevational view being a mirror image.

The broken lines showing a can to which the can cap hereof may be attached are for purposes of illustrating environmental structure and form no part of the claimed design.

1 Claim, 7 Drawing Sheets



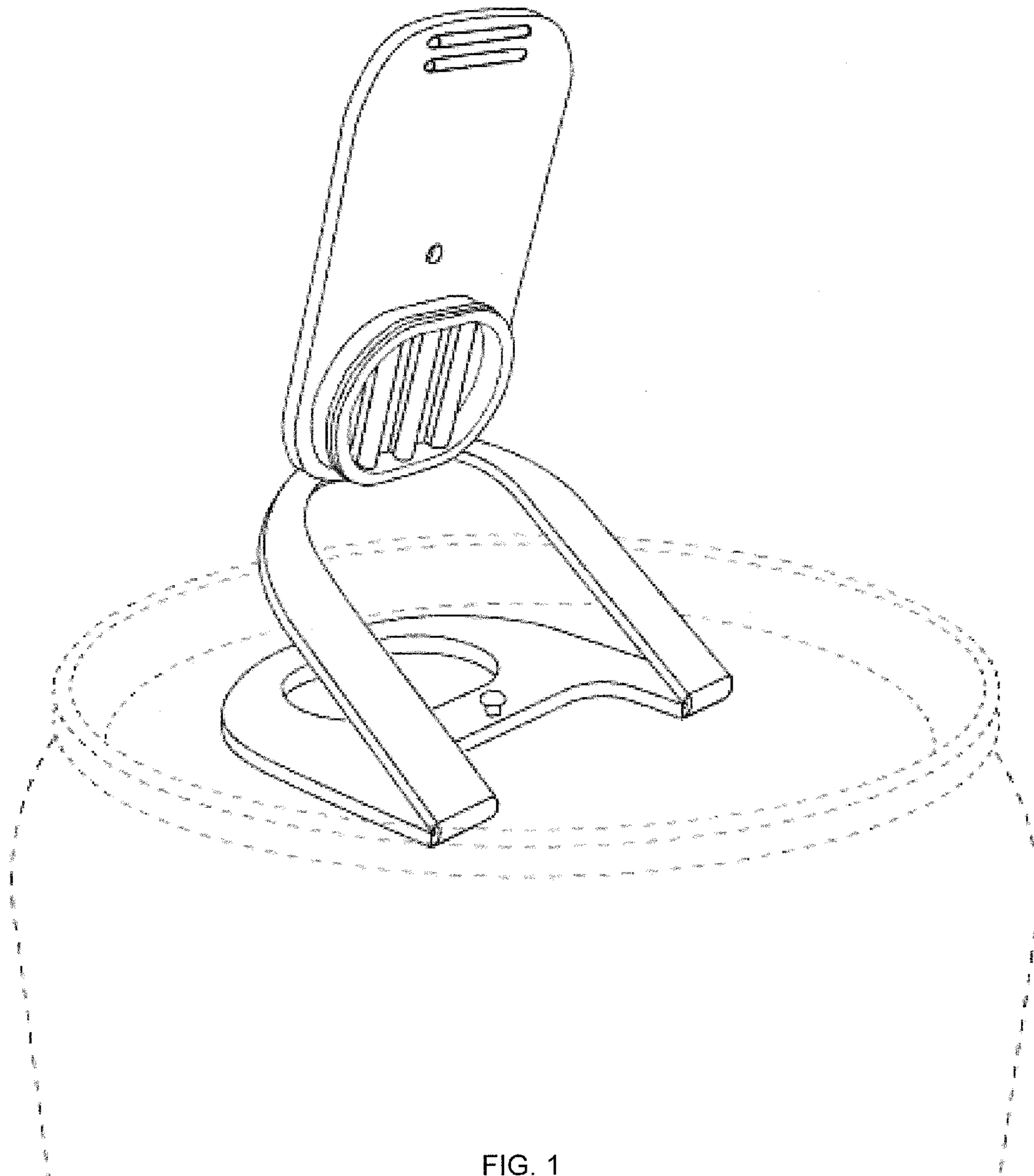


FIG. 1

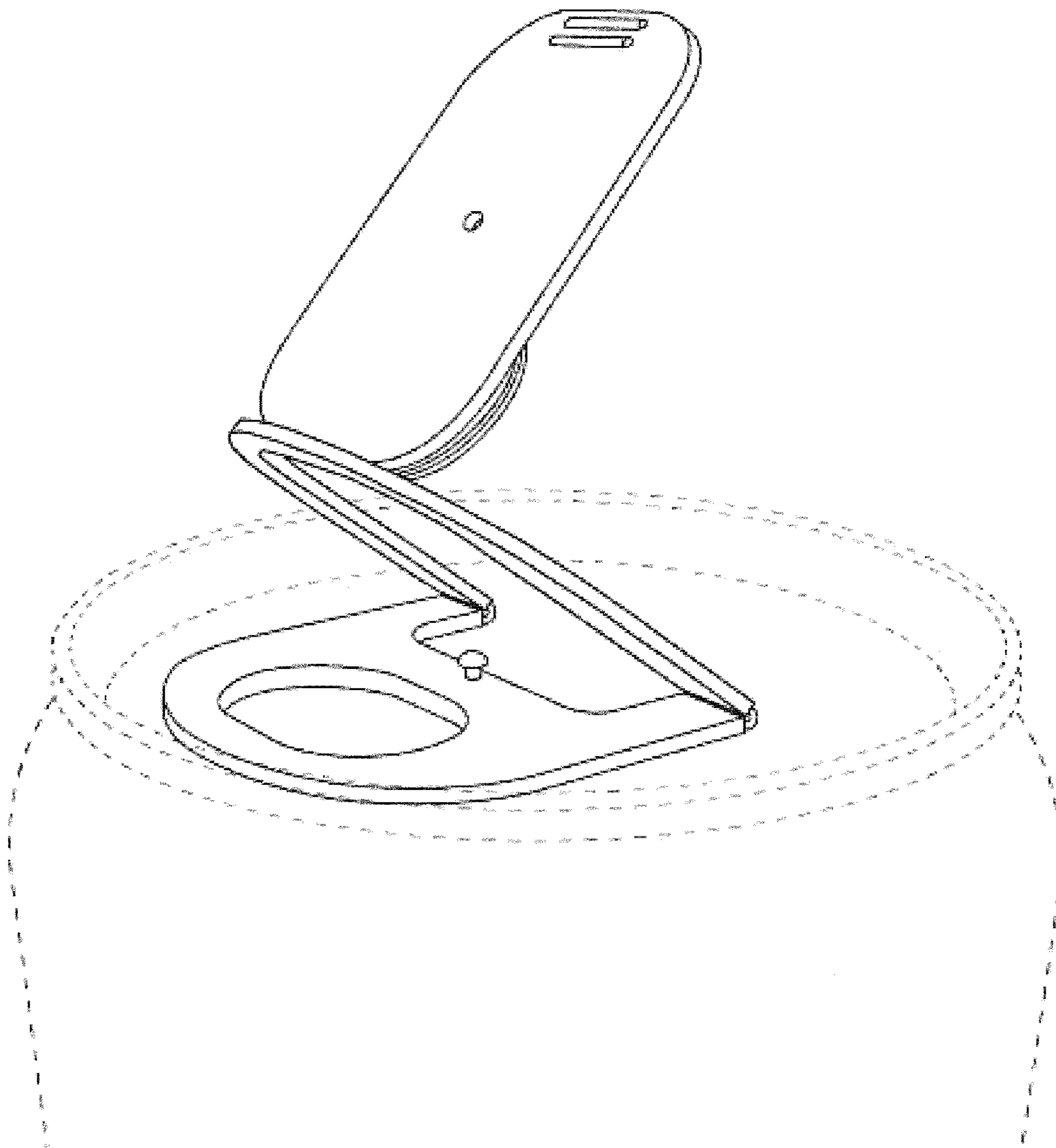


FIG. 2

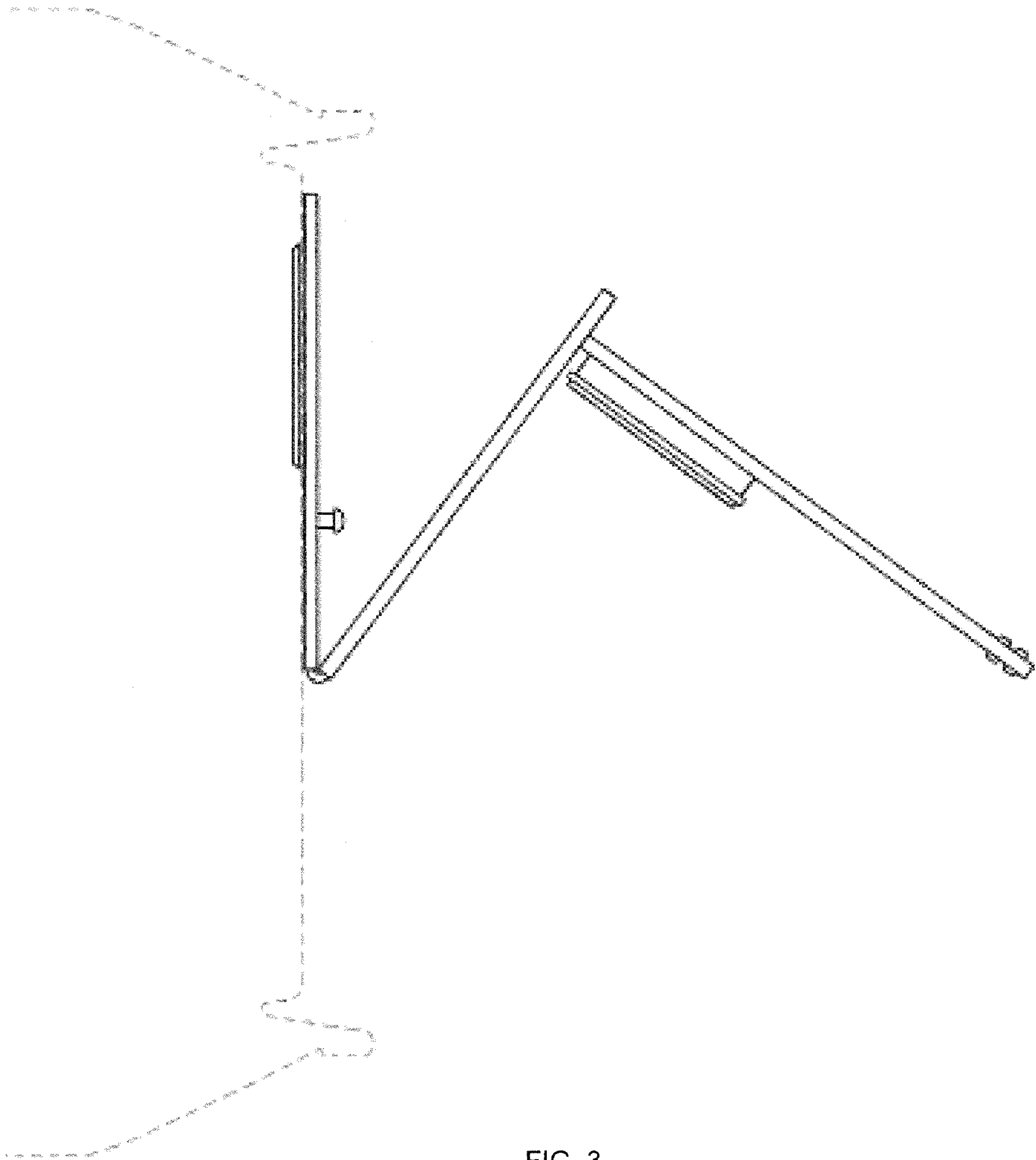


FIG. 3

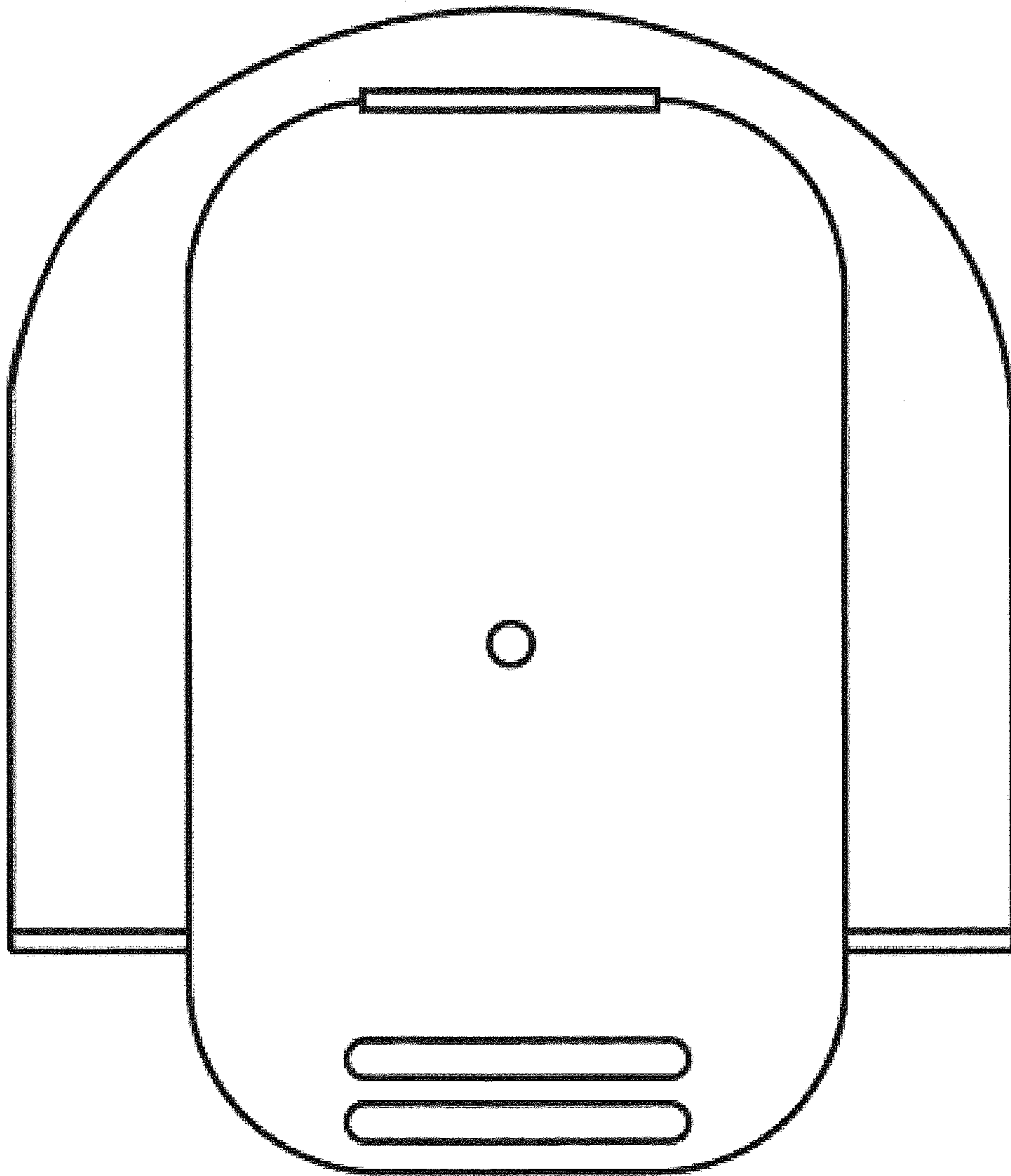


FIG. 4

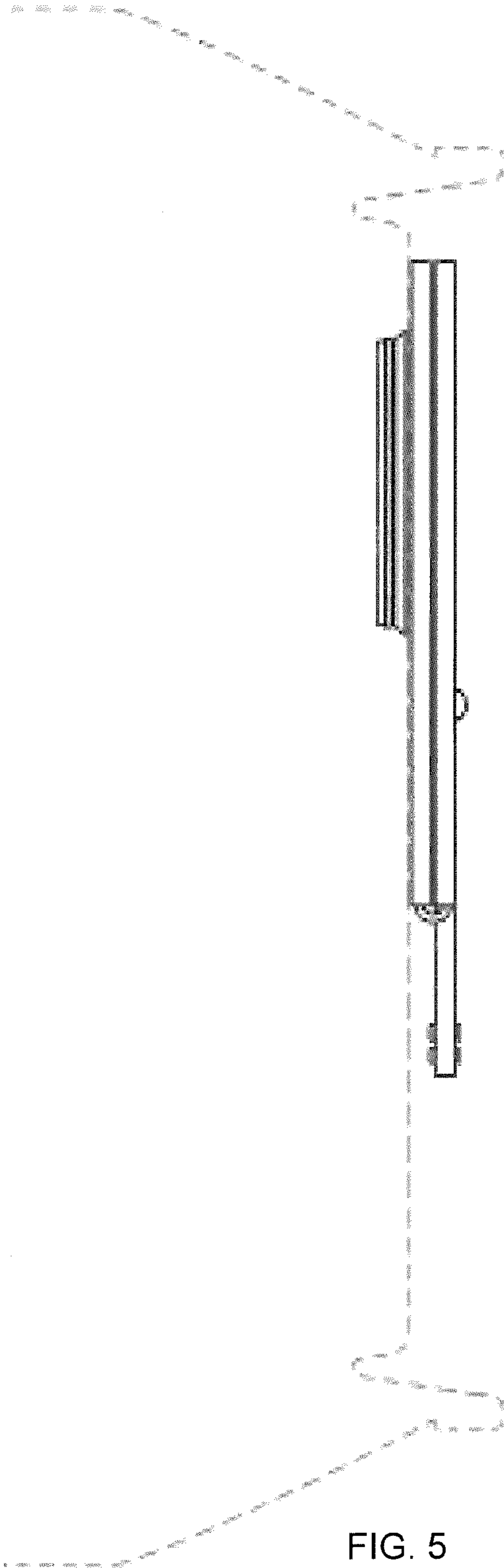


FIG. 5

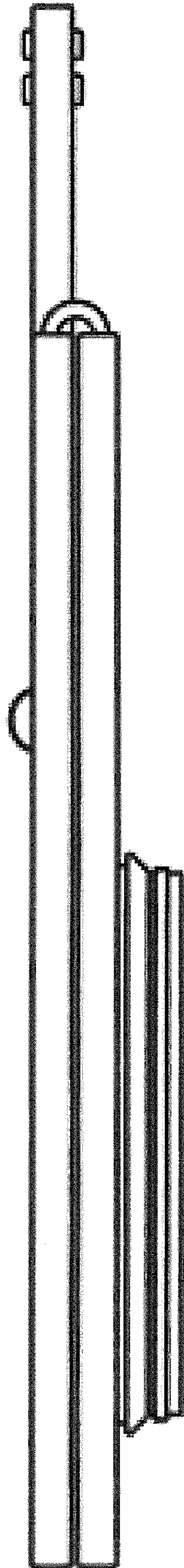


FIG. 6

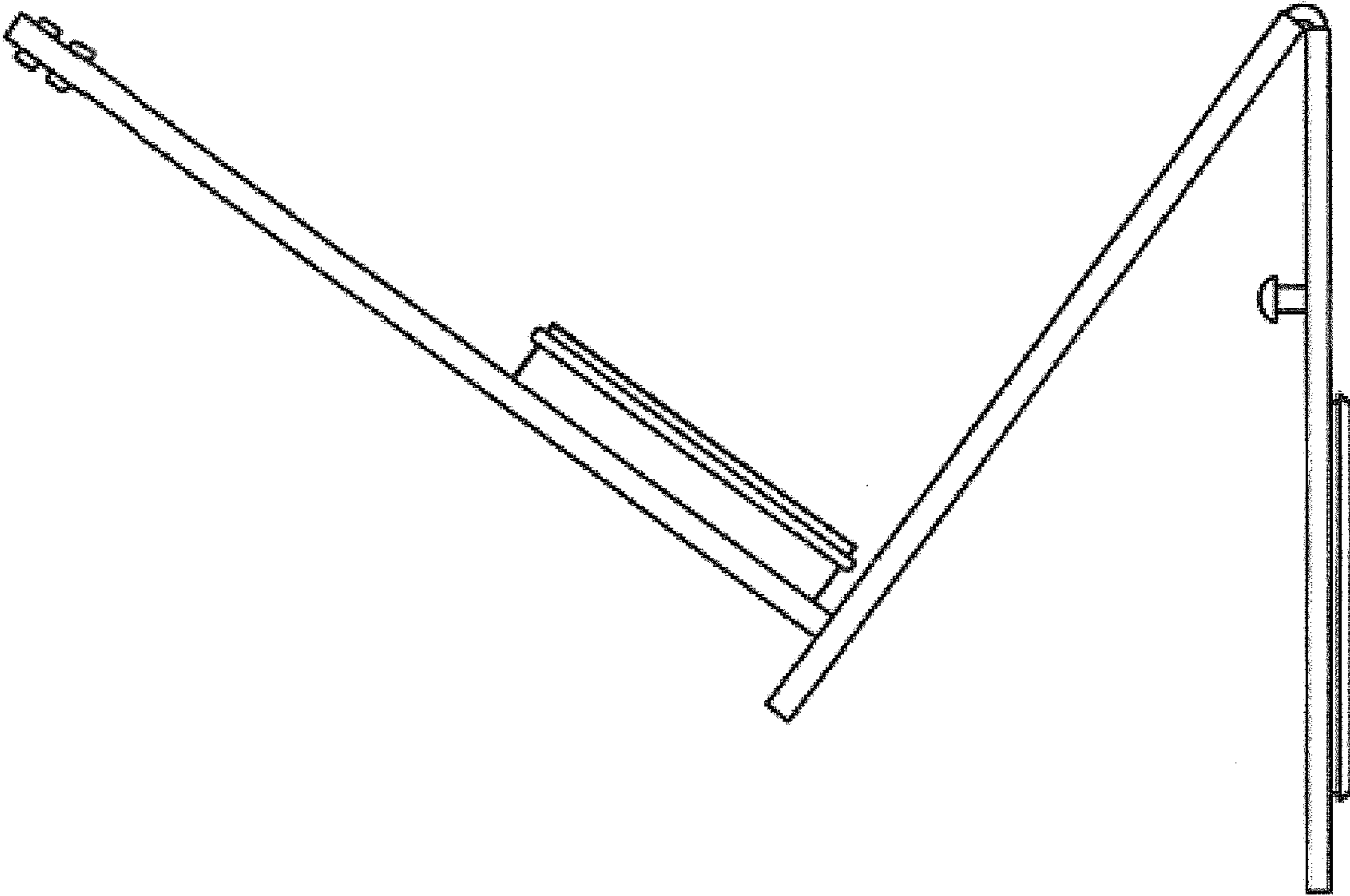


FIG. 7