



US00D708942S

(12) **United States Design Patent**  
**Snedden et al.**

(10) **Patent No.:** **US D708,942 S**  
(45) **Date of Patent:** **\*\* Jul. 15, 2014**

(54) **CONTAINER LID**

(71) Applicant: **Direct Pack, Inc.**, Sun Valley, CA (US)

(72) Inventors: **Craig R. Snedden**, La Canada, CA (US); **Ganhi B. Sifuentes**, West Covina, CA (US)

(73) Assignee: **Direct Pack, Inc.**, Sun Valley, CA (US)

(\*\*) Term: **14 Years**

(21) Appl. No.: **29/436,723**

(22) Filed: **Nov. 8, 2012**

(51) **LOC (10) Cl.** ..... **09-07**

(52) **U.S. Cl.**  
USPC ..... **D9/435**

(58) **Field of Classification Search**  
USPC ..... D3/264, 276, 304; D7/392.1, 396.2, D7/538, 541, 549, 550.1, 553.2, 601-603, D7/605, 629; D9/414, 416, 418, 424, 425, D9/426, 428, 429, 431, 432, 434, 435, 438, D9/452, 453, 454, 456, 707, 710, 732, 737, D9/755, 756, 761, 763, 767, 772, 780; 206/205, 219, 276, 499, 508, 522, 557; 220/2, 23.4, 23.6, 254.1, 256.1, 265, 220/266, 270, 271, 272, 273, 276, 281, 315, 220/318, 366.1, 367.1, 377, 500, 659, 669, 220/674, 675, 696, 703, 711, 713; 222/94, 222/107; 229/105, 117.09, 117.26, 123.2, 229/189, 406, 407

See application file for complete search history.

(56) **References Cited**

U.S. PATENT DOCUMENTS

D383,670	S	*	9/1997	Gubeli	.....	D9/425
D533,059	S	*	12/2006	Knutson et al.	.....	D9/435
D536,992	S	*	2/2007	Garg et al.	.....	D9/737
D588,450	S	*	3/2009	Snedden et al.	.....	D9/424
D588,451	S	*	3/2009	Snedden et al.	.....	D9/425
D610,448	S	*	2/2010	Drozek et al.	.....	D9/424
D627,219	S	*	11/2010	Golota et al.	.....	D9/424
D628,062	S	*	11/2010	Snedden et al.	.....	D9/426
D628,474	S	*	12/2010	Snedden et al.	.....	D9/426
D649,050	S	*	11/2011	Sarnoff et al.	.....	D9/435
D660,147	S	*	5/2012	Snedden et al.	.....	D9/435
D663,633	S	*	7/2012	Rivera et al.	.....	D9/737
2010/0102074	A1	*	4/2010	Parikh et al.	.....	220/810

\* cited by examiner

*Primary Examiner* — Susan Bennett Hattan

*Assistant Examiner* — Leanne Was

(74) *Attorney, Agent, or Firm* — Frost Brown Todd LLC

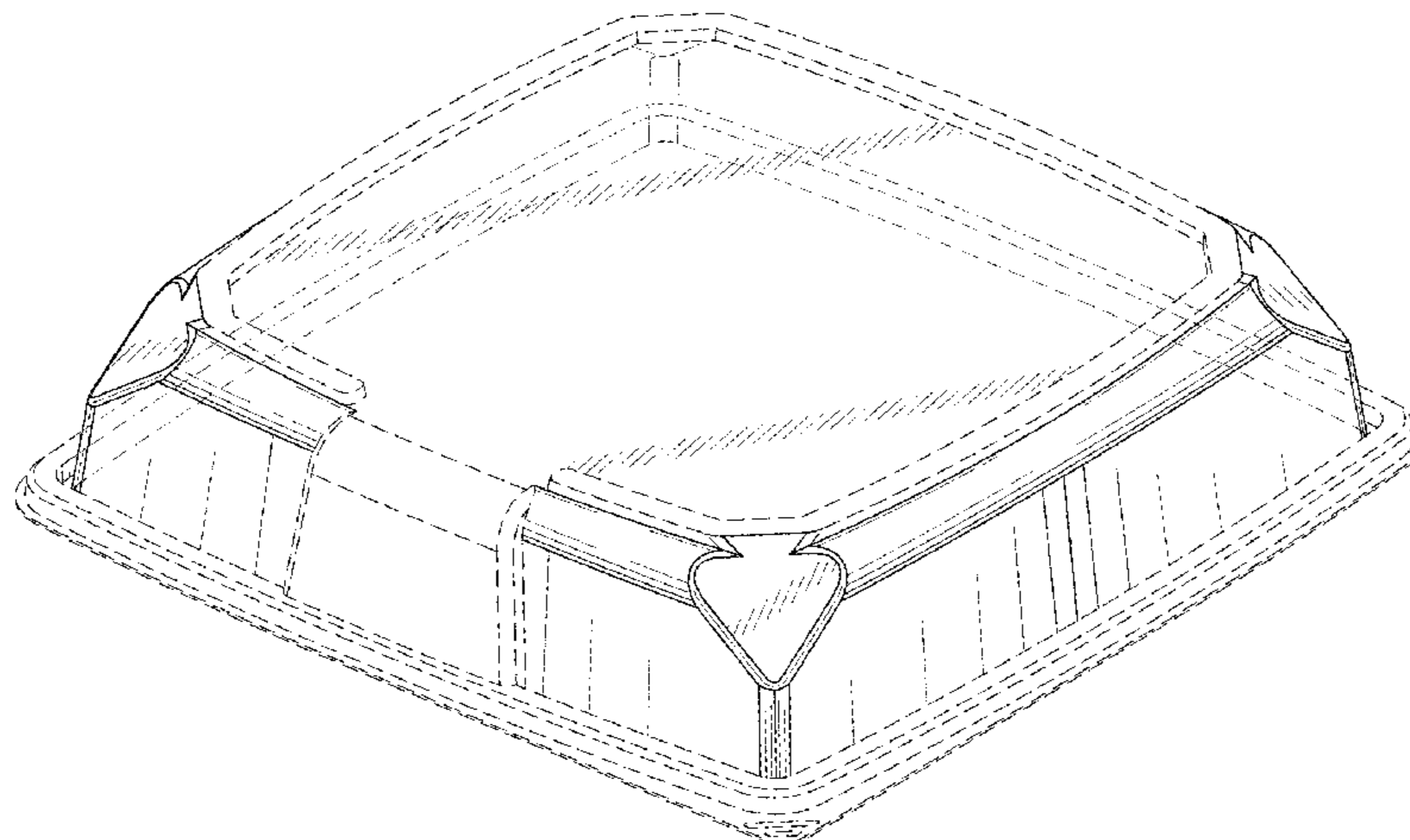
(57) **CLAIM**

The ornamental design for a container lid, as shown and described.

**DESCRIPTION**

FIG. 1 is a top perspective view of a container lid, showing our new design;  
FIG. 2 is a bottom perspective view thereof;  
FIG. 3 is a front elevation view thereof;  
FIG. 4 is a rear elevation view thereof;  
FIG. 5 is a left elevation view thereof;  
FIG. 6 is a right elevation view thereof;  
FIG. 7 is a top plan view thereof; and,  
FIG. 8 is a bottom plan view thereof.  
The lid retention features, front extrusion feature, and top extrusion and relief features shown in broken lines are unclaimed environment, and form no part of the claimed design.

**1 Claim, 8 Drawing Sheets**



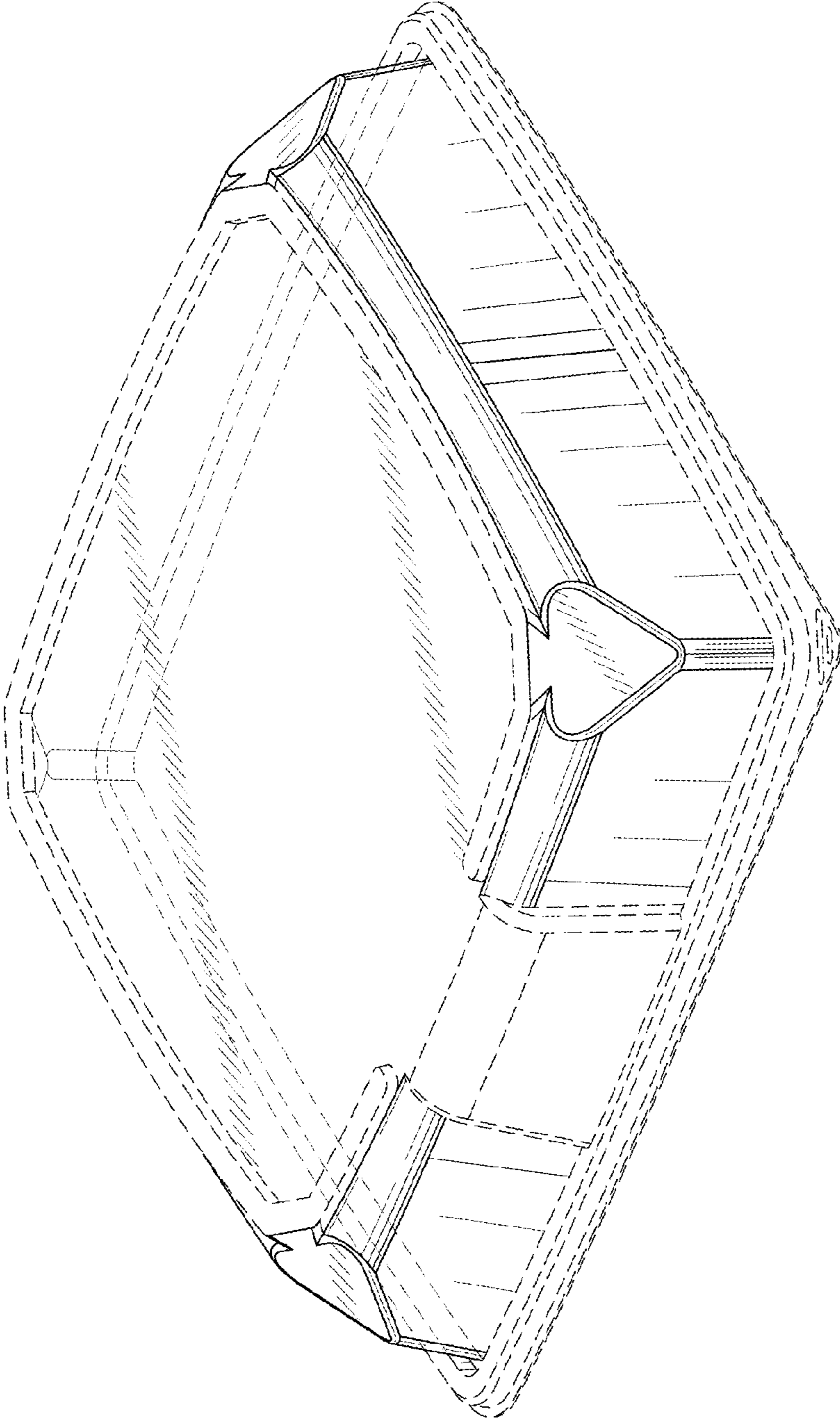


Fig. 1

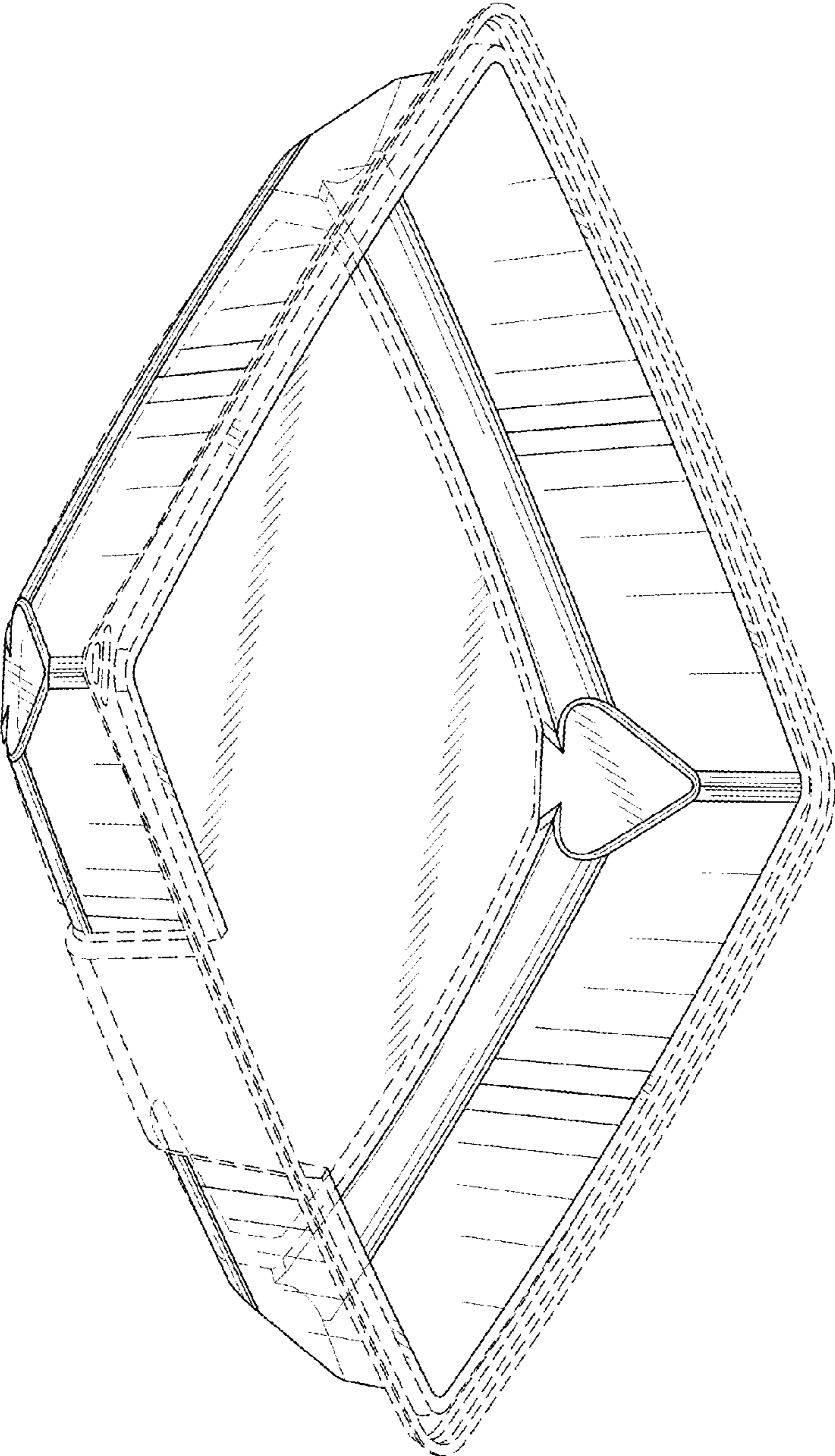


Fig.2



Fig. 3

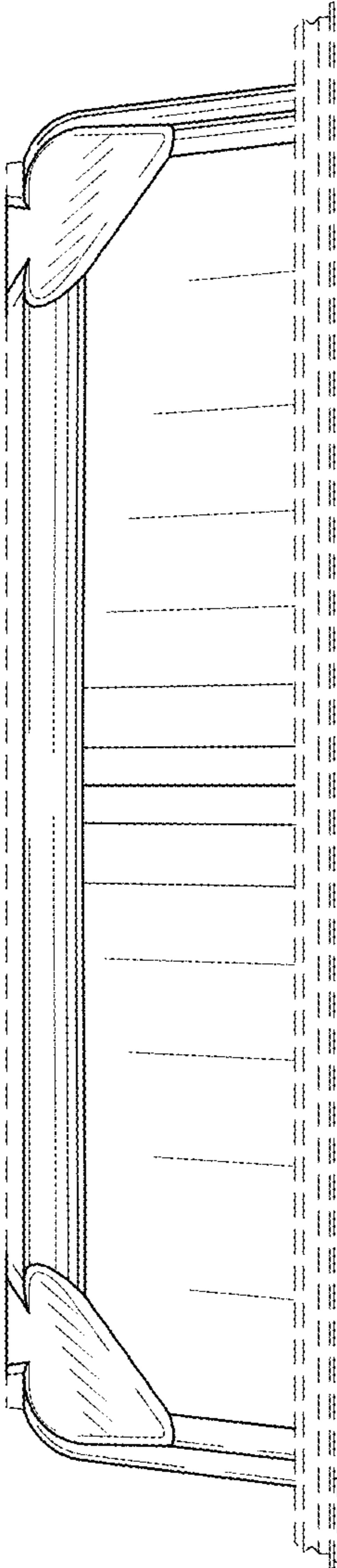


Fig. 4

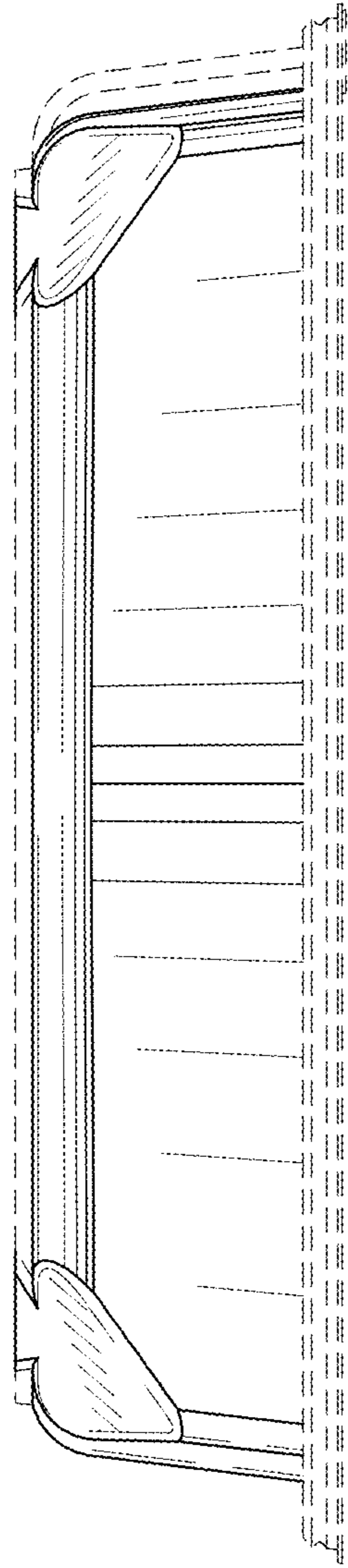


Fig. 5

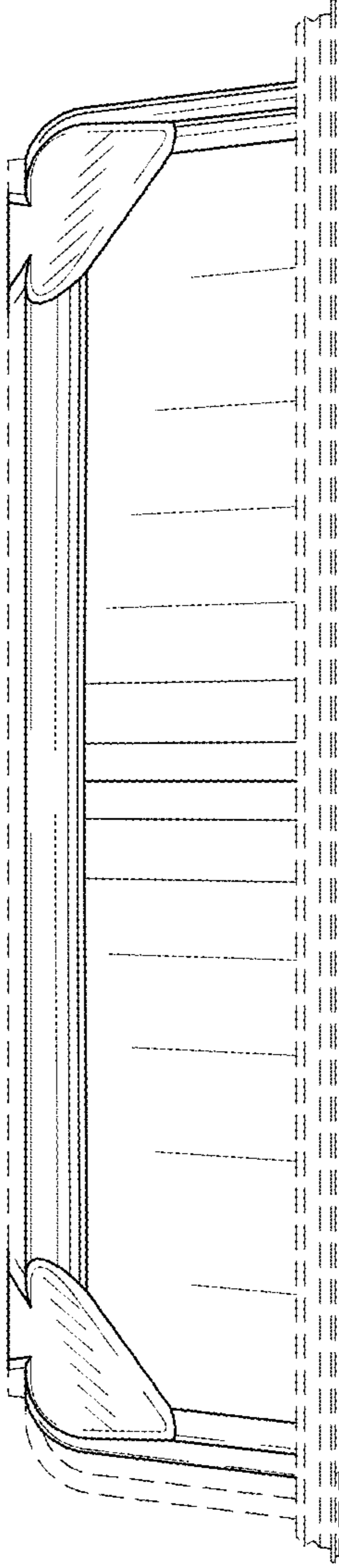


Fig. 6

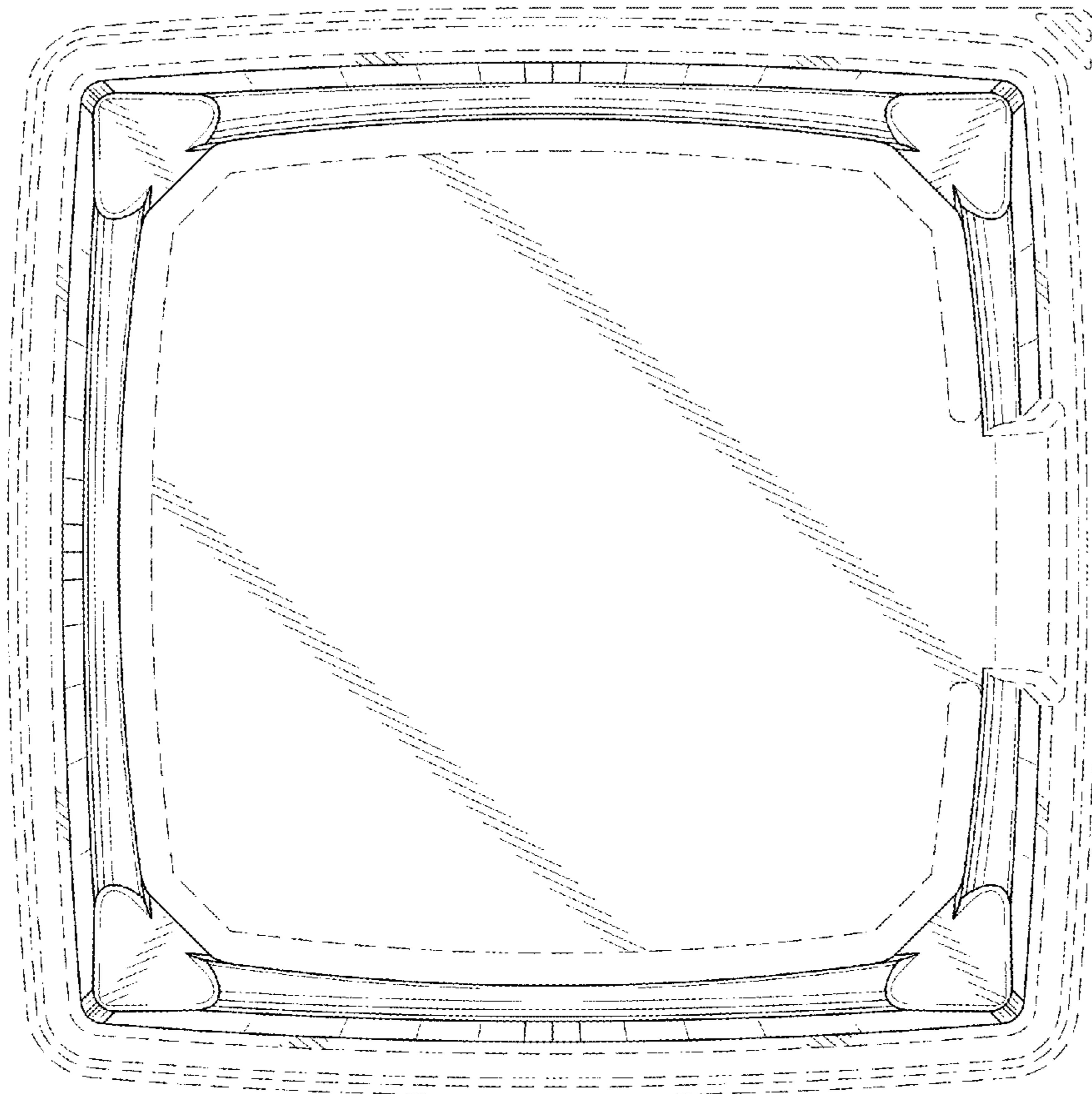


Fig. 7



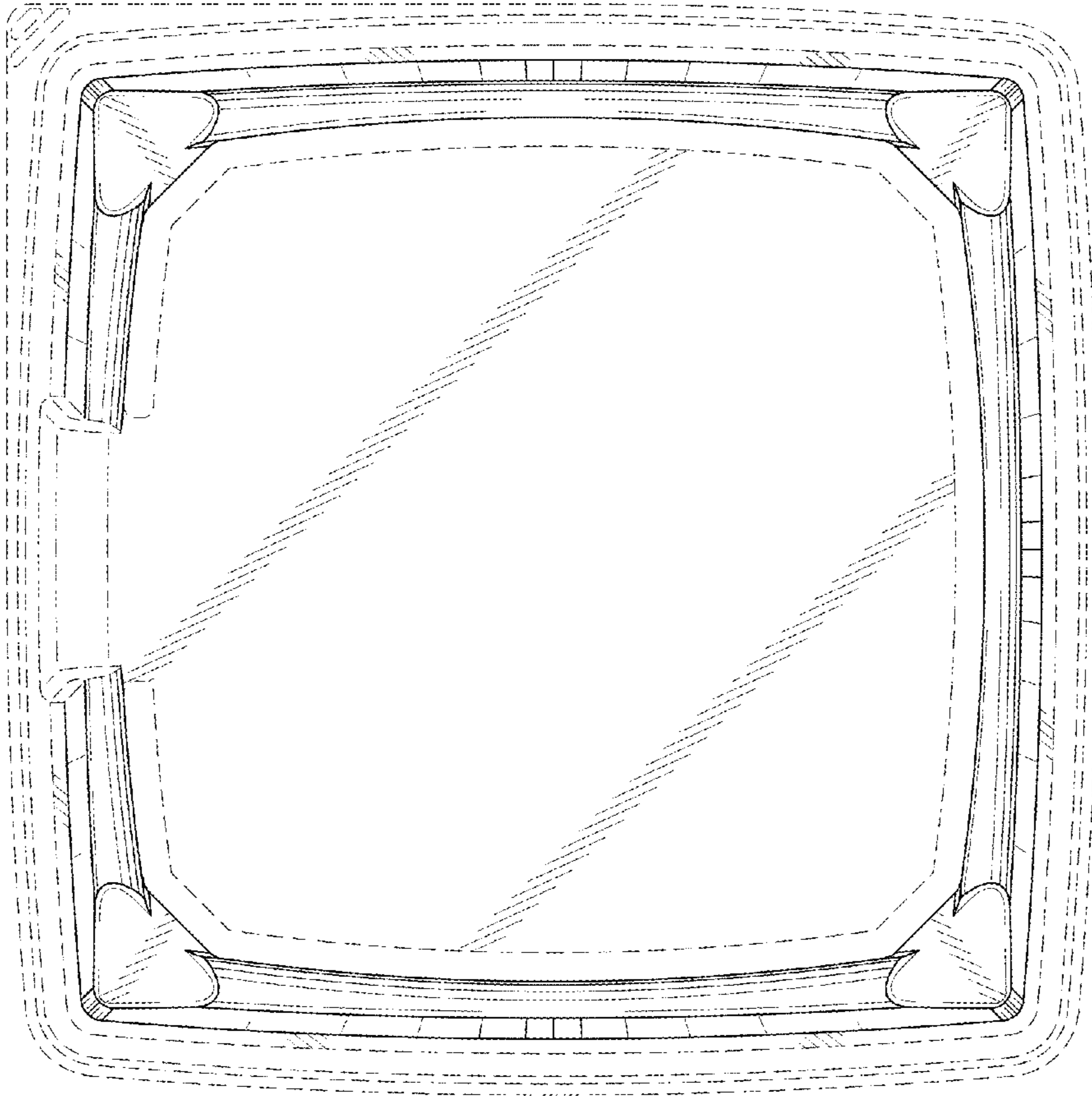


Fig. 8