



US00D708941S

(12) **United States Design Patent**
Das

(10) **Patent No.:** **US D708,941 S**
(45) **Date of Patent:** **** Jul. 15, 2014**

- (54) **CONTAINER**
- (71) Applicant: **World Centric**, Petaluma, CA (US)
- (72) Inventor: **Aseem Das**, Palo Alto, CA (US)
- (73) Assignee: **World Centric**, Petaluma, CA (US)
- (**) Term: **14 Years**
- (21) Appl. No.: **29/458,294**
- (22) Filed: **Jun. 18, 2013**
- (51) **LOC (10) Cl.** **09-03**
- (52) **U.S. Cl.**
USPC **D9/432; D9/425**
- (58) **Field of Classification Search**
USPC D9/430-435, 414, 418, 420-424;
D3/272, 273, 302; 206/267, 269, 270,
206/273, 299, 737, 740, 822; 229/100, 101,
229/101.3, 106, 108-112, 124, 125, 162.1,
229/165, 172, 182.1, 183, 185, 200, 210,
229/221, 406, 407; D7/601, 602
See application file for complete search history.

- D672,644 S 12/2012 Allers et al.
- D673,333 S 12/2012 Duvigneau
- D673,429 S 1/2013 Gilbert
- D673,451 S 1/2013 Harvey et al.
- D674,246 S 1/2013 Scott et al.
- D674,275 S 1/2013 Bouveret
- 8,360,262 B2 * 1/2013 Vovan 220/522
- D680,860 S 4/2013 Schulter et al.
- D680,861 S 4/2013 Chen
- D681,400 S 5/2013 Gold et al.

(Continued)

OTHER PUBLICATIONS

Unbleached Plant Fiber Folding Take Out Container. [online] Retrieved Dec. 12, 2013 from URL: <<http://worldcentric.org/biocompostables/clamshells/plantfiber-folding>>.*
Folia™ One-Piece. [online] Retrieved Dec. 12, 2013 from URL: <http://www.ecoproductsstore.com/fovia_one_piece.html>.*

(Continued)

Primary Examiner — Susan Bennett Hattan
Assistant Examiner — Vy Koenig
(74) *Attorney, Agent, or Firm* — Sterne, Kessler, Goldstein & Fox P.L.L.C.

(56) **References Cited**

U.S. PATENT DOCUMENTS

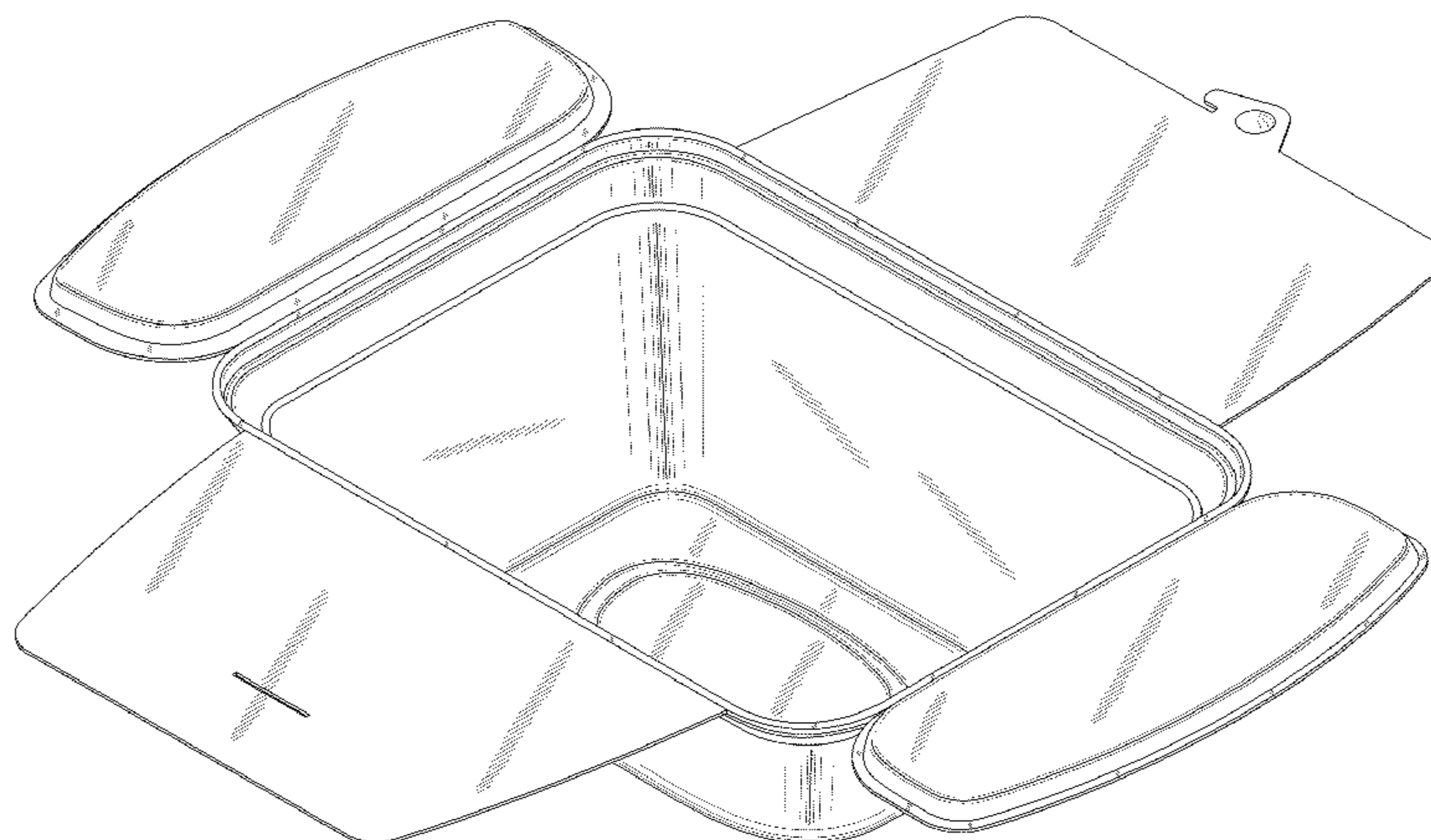
- 3,933,296 A * 1/1976 Ruskin et al. 229/406
- 5,277,329 A * 1/1994 Pomroy et al. 220/526
- D354,436 S * 1/1995 Krupa D9/423
- 5,462,192 A * 10/1995 Pomroy et al. 220/526
- 5,950,834 A * 9/1999 Woodnorth et al. 206/541
- 6,042,000 A * 3/2000 Kawamoto 229/406
- D516,388 S * 3/2006 Wells D7/629
- D649,869 S * 12/2011 Gibson et al. D9/421
- D664,425 S * 7/2012 Krupa D9/420
- D668,555 S * 10/2012 Archie et al. D9/761
- D671,373 S 11/2012 Kimmel et al.
- D672,140 S 12/2012 Crofton-Sleigh et al.
- D672,202 S 12/2012 Craft et al.
- D672,231 S 12/2012 Snedden et al.
- D672,599 S 12/2012 Gold

(57) **CLAIM**
I claim the ornamental design for a container, as shown.

DESCRIPTION

FIG. 1 is a top front perspective view of a container showing my new design in an open condition;
FIG. 2 is a top plan view thereof;
FIG. 3 is a front view thereof;
FIG. 4 is a rear view thereof;
FIG. 5 is a bottom plan view thereof;
FIG. 6 is a left side view thereof;
FIG. 7 is a right side view thereof; and,
FIG. 8 is a top front perspective view thereof, with portions of the container in an alternate position.

1 Claim, 6 Drawing Sheets



(56)

References Cited

OTHER PUBLICATIONS

U.S. PATENT DOCUMENTS

D681,446 S 5/2013 Schuler et al.
D681,447 S 5/2013 Schuler et al.
D681,451 S 5/2013 Kui
D684,050 S 6/2013 Vernon et al.
D684,465 S 6/2013 Vernon et al.
D684,859 S 6/2013 Vernon et al.
D688,552 S 8/2013 Vernon et al.
D700,840 S 3/2014 Vernon et al.
2005/0037113 A1* 2/2005 Archie 426/109

“Certified Compostable: products made from plants, not petroleum”,
World Centric, worldcentric.org, 7 pages, Palo Alto, CA.
Color Images of container, disclosed at least as early as Feb. 3, 2012,
4 pages.
Color Images of container, disclosed at least as early as Feb. 3, 2012,
2 pages.
Color Image of container, disclosed at least as early as Feb. 3, 2012,
1 page.

* cited by examiner

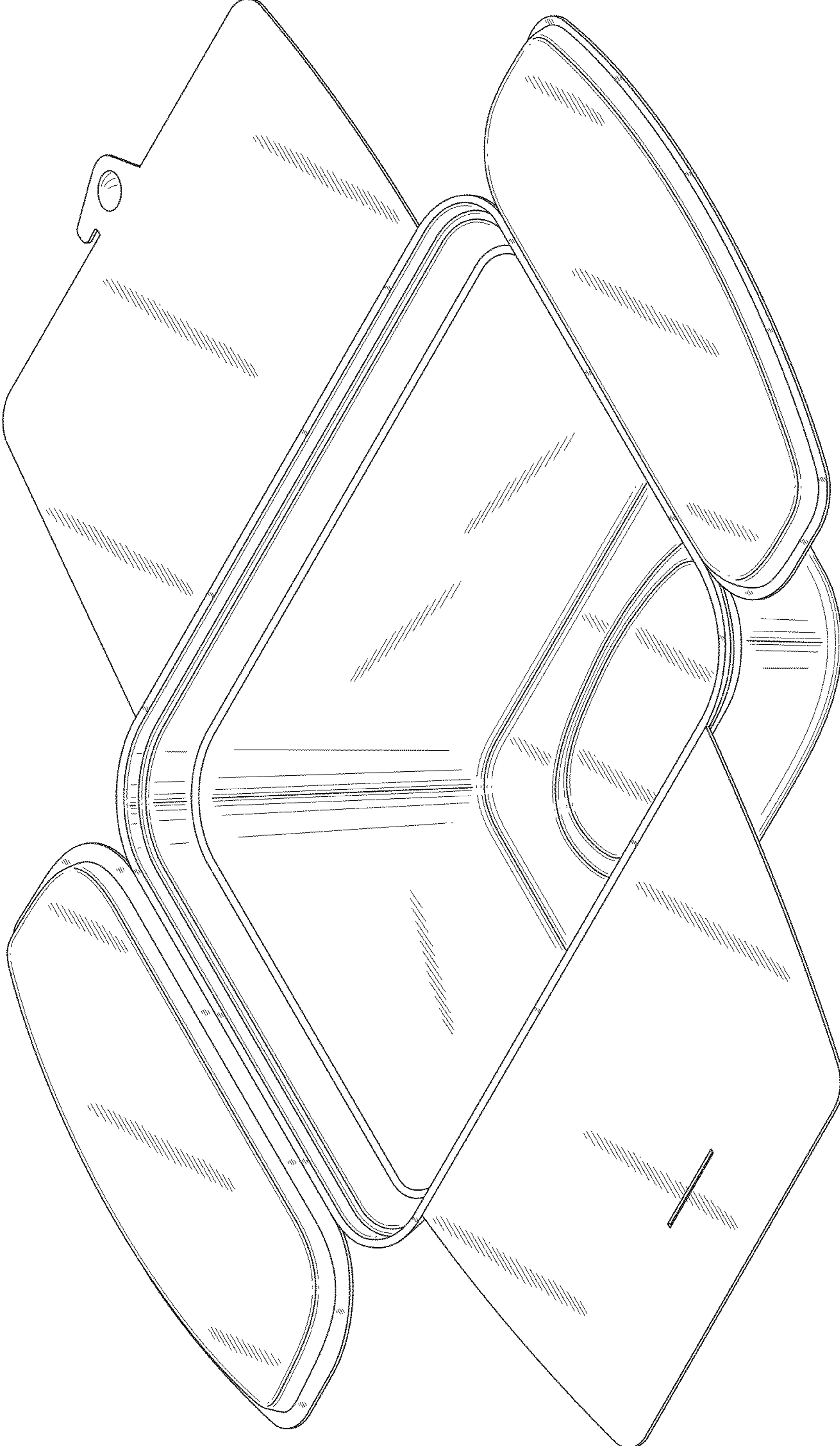


FIG. 1

FIG. 2

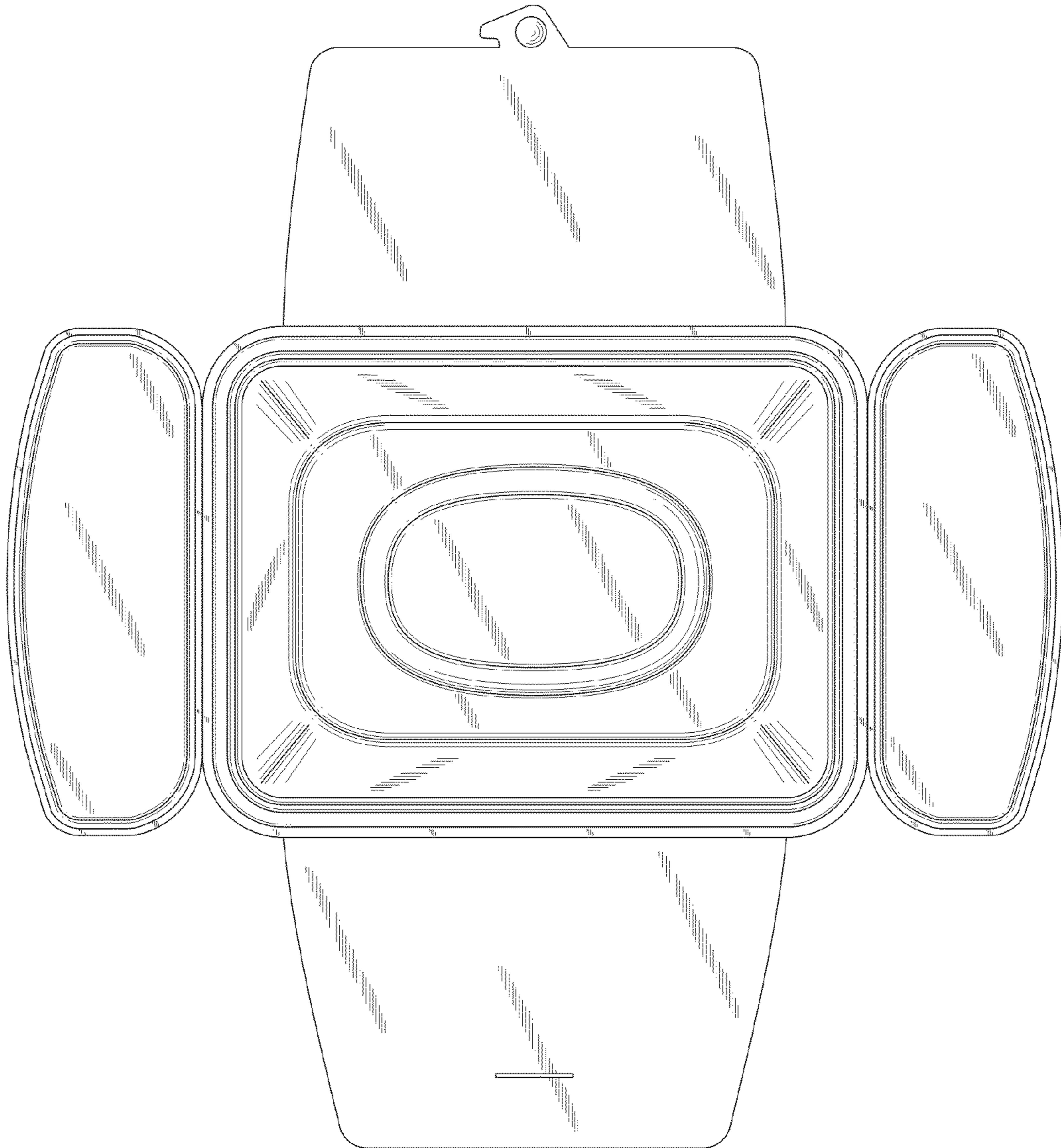


FIG. 3

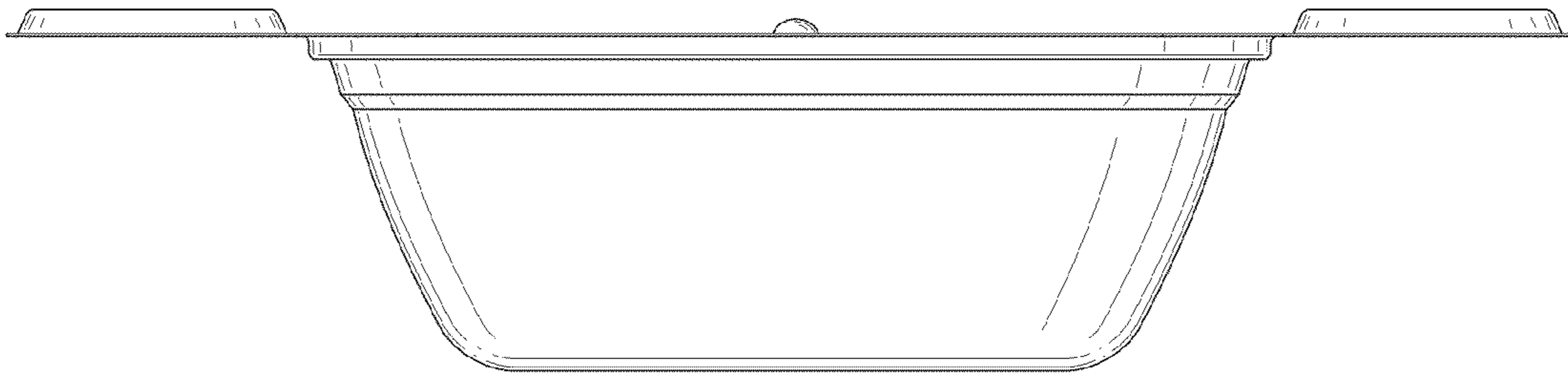


FIG. 4

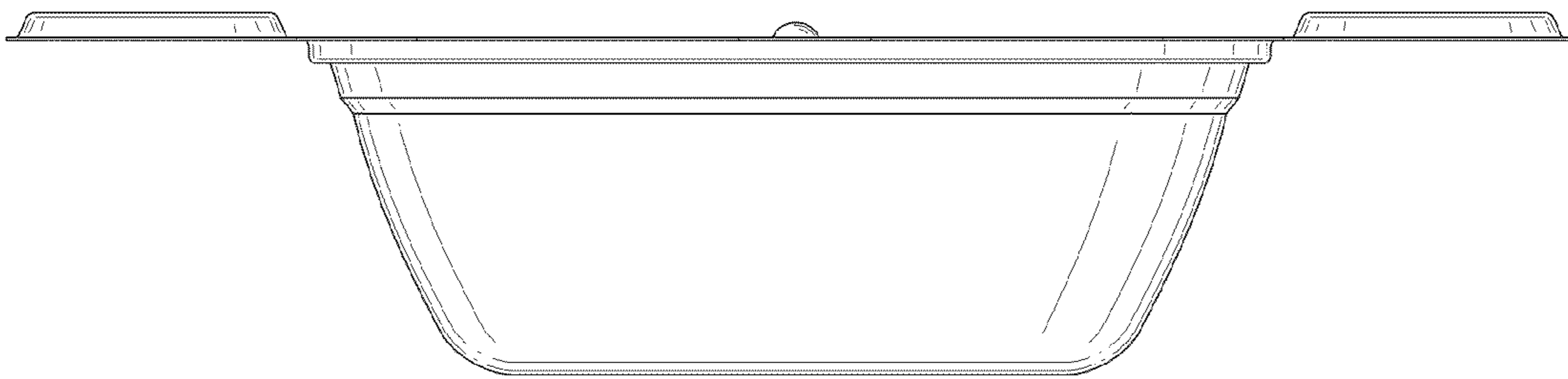


FIG. 5

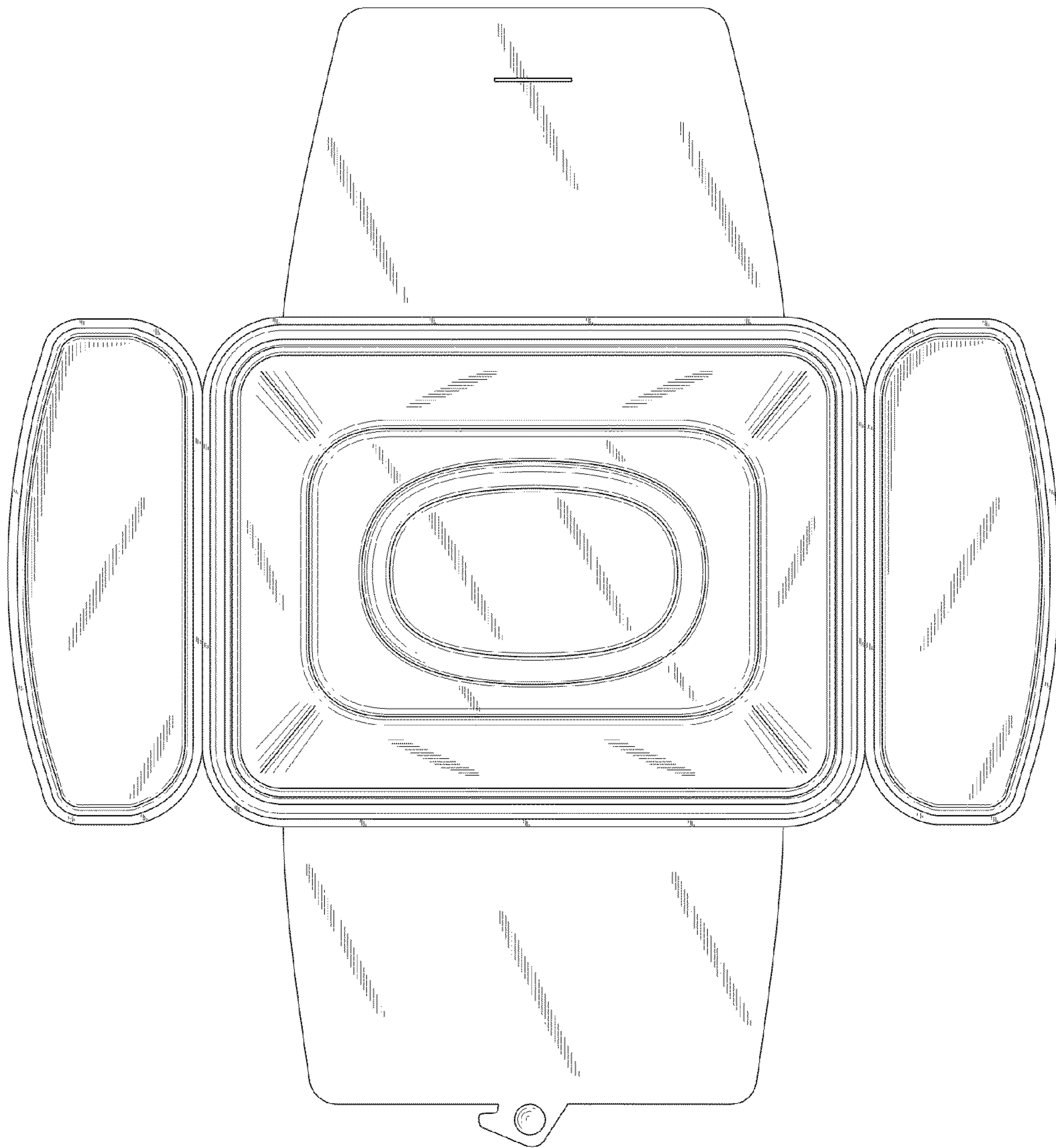


FIG. 6

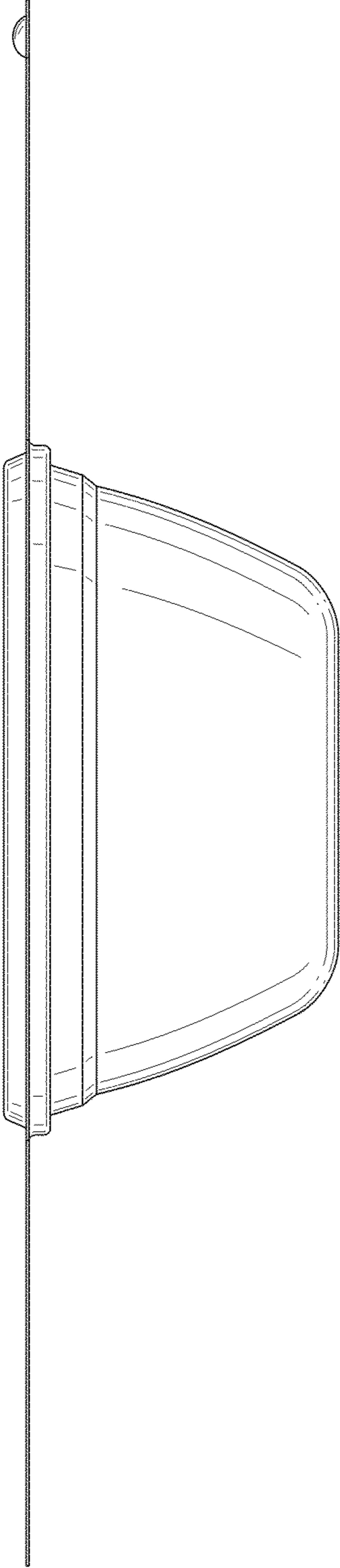
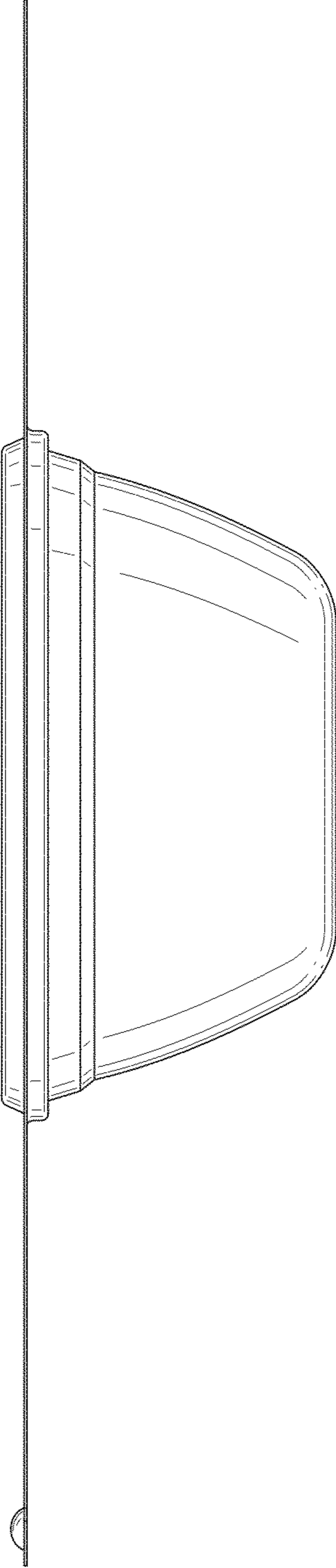


FIG. 7



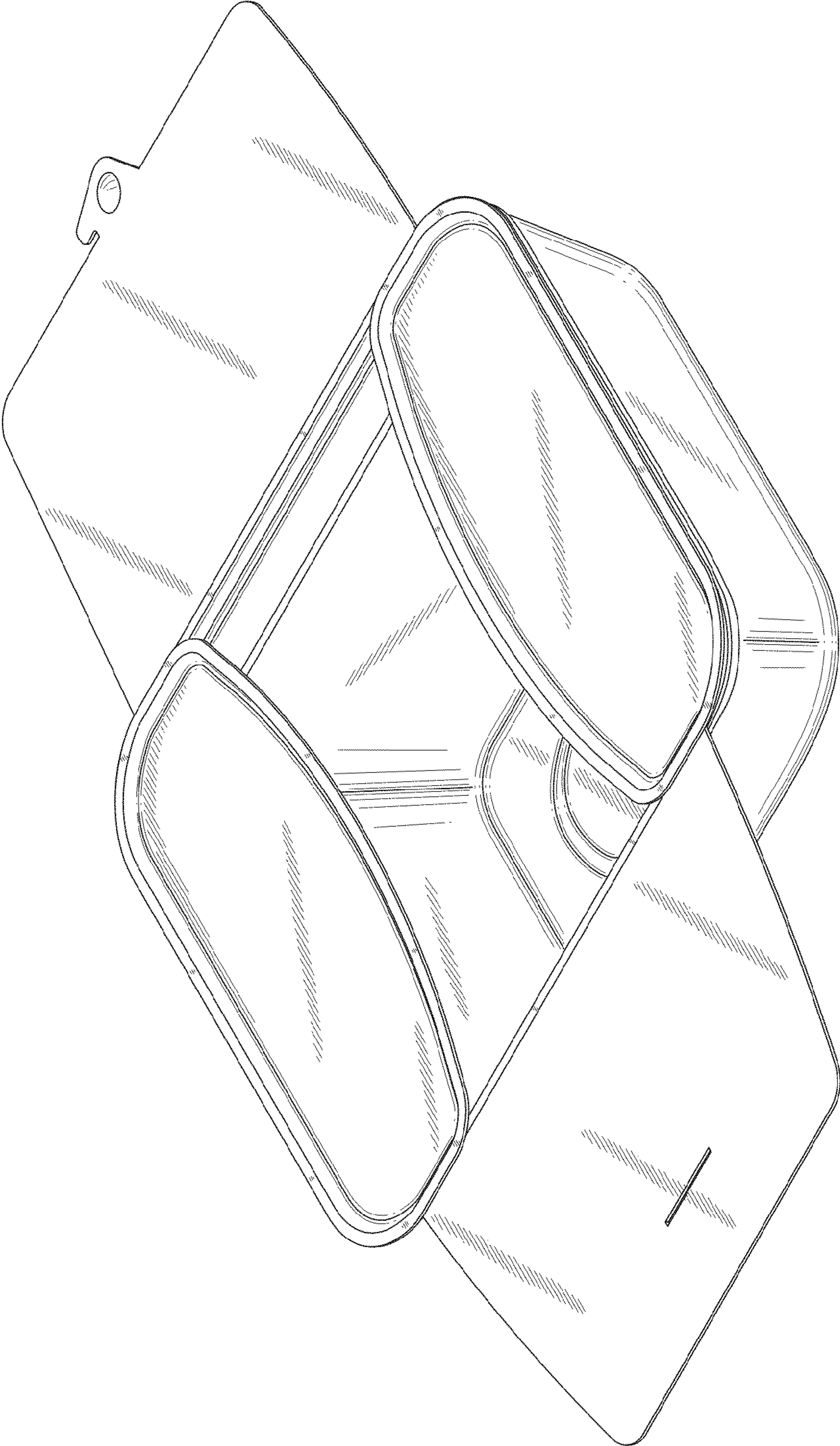


FIG. 8