



US00D708940S

(12) **United States Design Patent**
Juna et al.

(10) **Patent No.:** **US D708,940 S**

(45) **Date of Patent:** **** Jul. 15, 2014**

(54) **FLIP-TOP JAR**

D651,519 S * 1/2012 Gibson et al. D9/529
D663,202 S * 7/2012 Biesecker et al. D9/449
D664,840 S * 8/2012 Jones et al. D9/423

(71) Applicant: **TricorBraun Inc.**, St. Louis, MO (US)

* cited by examiner

(72) Inventors: **Samantha Juna**, Carol Stream, IL (US);
Craig Sawicki, Roselle, IL (US)

Primary Examiner — Thomas Johannes

(73) Assignee: **TricorBraun Inc.**, St. Louis, MO (US)

(74) *Attorney, Agent, or Firm* — Husch Blackwell LLP

(**) Term: **14 Years**

(57) **CLAIM**

I claim the ornamental design for a flip-top jar, as shown and described.

(21) Appl. No.: **29/437,733**

DESCRIPTION

(22) Filed: **Nov. 20, 2012**

(51) **LOC (10) Cl.** **09-03**

(52) **U.S. Cl.**
USPC **D9/420**

(58) **Field of Classification Search**

CPC A24F 23/00; B65D 2543/00296;
B65D 2543/00435; B65D 43/162; B65D
43/163; B65D 51/28

USPC 222/92; 206/6.1, 5.1, 303, 530–538,
206/566, 581, 823, 459.5; 220/8, 4.26,
220/4.27, 253, 288, 376, 380, 907; 229/4.5;
132/293–294, 315; D28/7–8, 76–82;
D3/203.1–203.8, 201, 205; D9/428,
D9/414, 420–424, 503, 504, 521, 337, 780

See application file for complete search history.

FIG. 1 is a top perspective view of a flip-top jar showing the new design with its lid in a closed position;
FIG. 2 is a bottom perspective thereof
FIG. 3 is a front view thereof;
FIG. 4 is a back view thereof;
FIG. 5 is a left side view thereof;
FIG. 6 is a right side view thereof;
FIG. 7 is a top view thereof;
FIG. 8 is a bottom view thereof;
FIG. 9 is a top perspective view thereof, with its lid in an opened position;
FIG. 10 is a bottom perspective view thereof;
FIG. 11 is a front view thereof;
FIG. 12 is a back view thereof;
FIG. 13 is a left side view thereof;
FIG. 14 is a right side view thereof;
FIG. 15 is a top view thereof;
FIG. 16 is a bottom view thereof; and,
FIG. 17 is a cross-sectional view thereof taken in the direction of line 17-17 in FIG. 15.

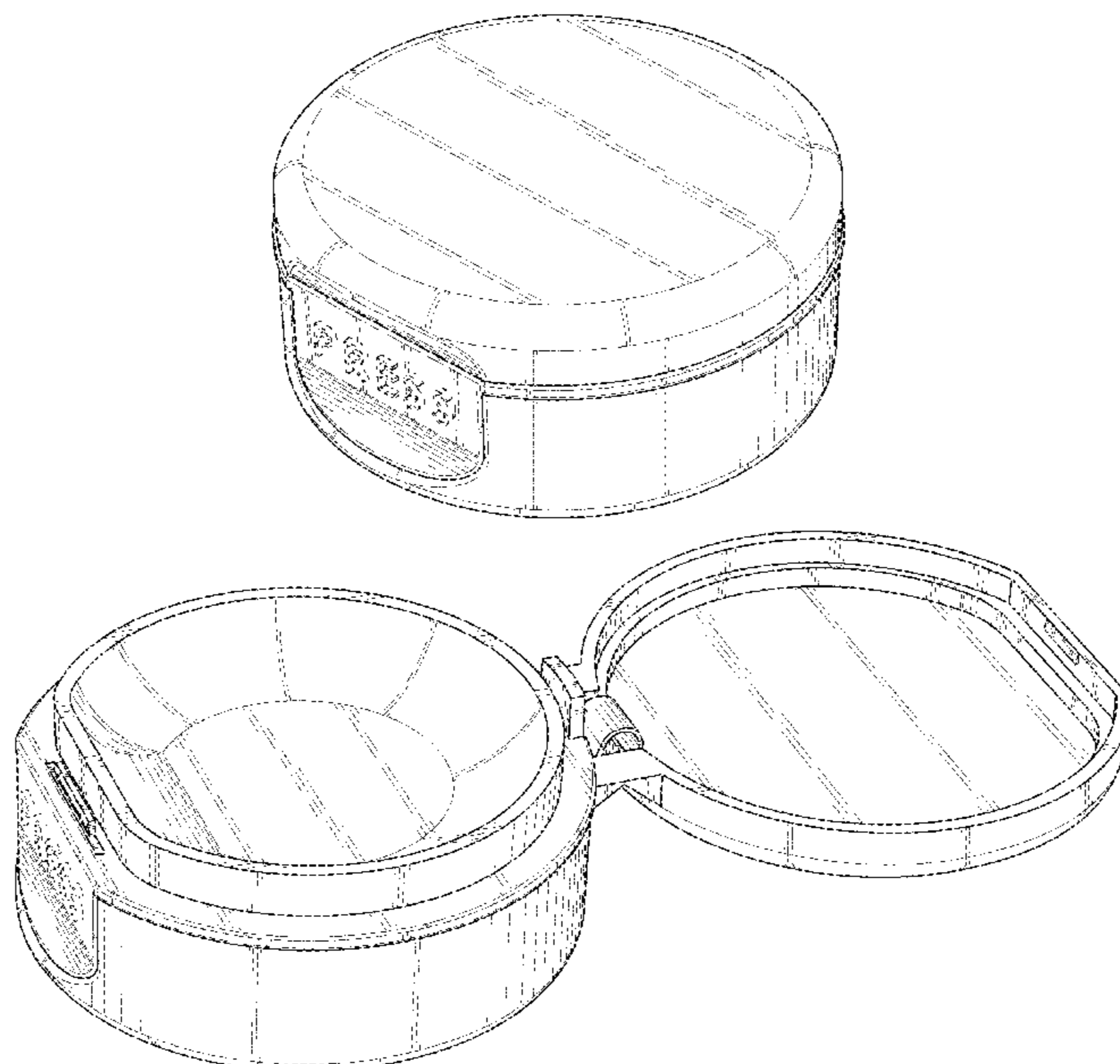
The broken lines shown in the drawing views are included for the purpose of showing environmental structure that forms no part of the claimed design.

(56) **References Cited**

U.S. PATENT DOCUMENTS

D494,474 S * 8/2004 Houk et al. D9/504
D531,036 S * 10/2006 Bried et al. D9/504
D541,176 S * 4/2007 Bried D9/780
D599,953 S * 9/2009 Gibson et al. D27/190
D640,546 S * 6/2011 Berggren D9/428
D640,556 S * 6/2011 Bragg et al. D9/449
D650,269 S * 12/2011 Berggren D9/428

1 Claim, 11 Drawing Sheets



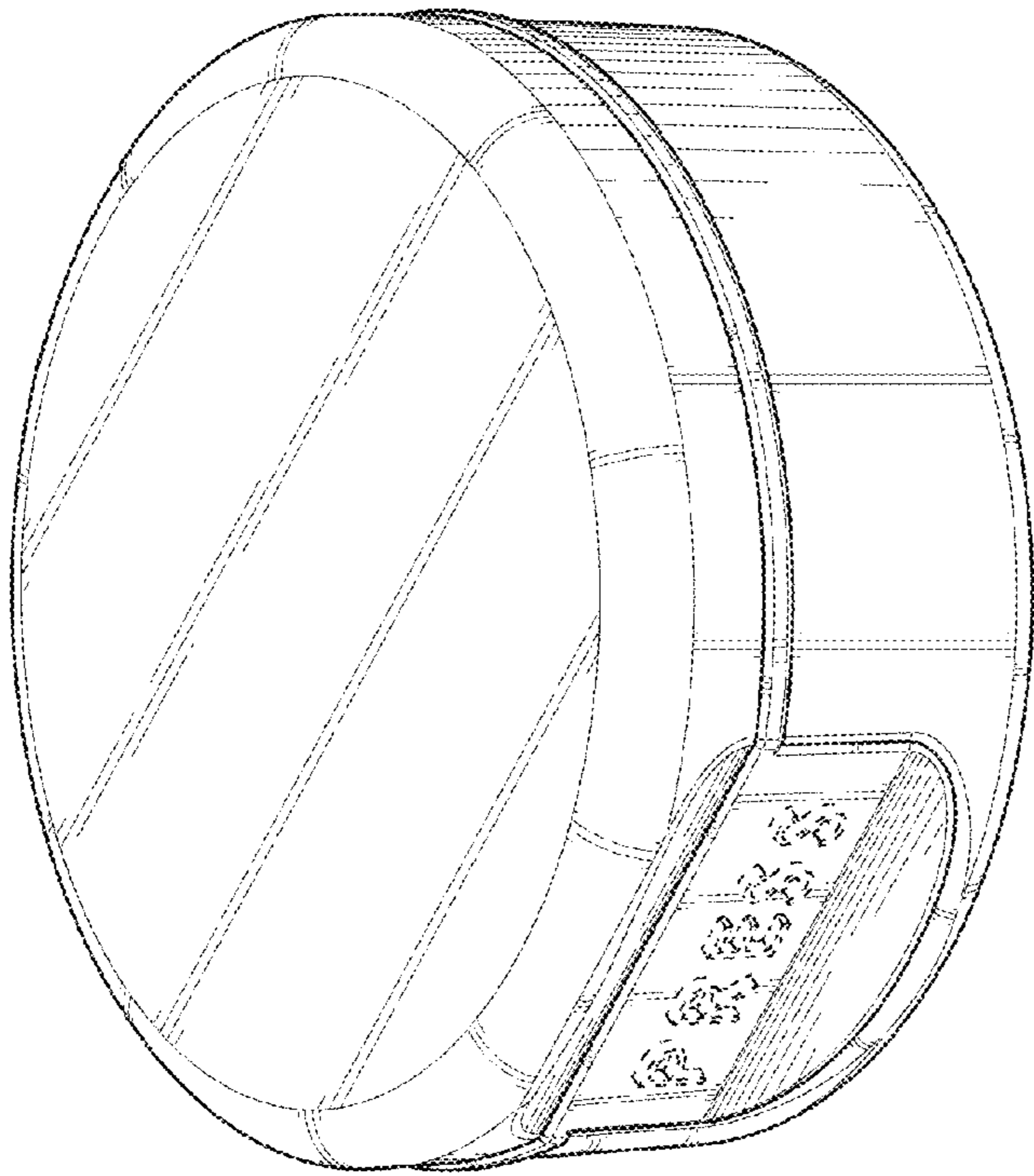


FIG. 1

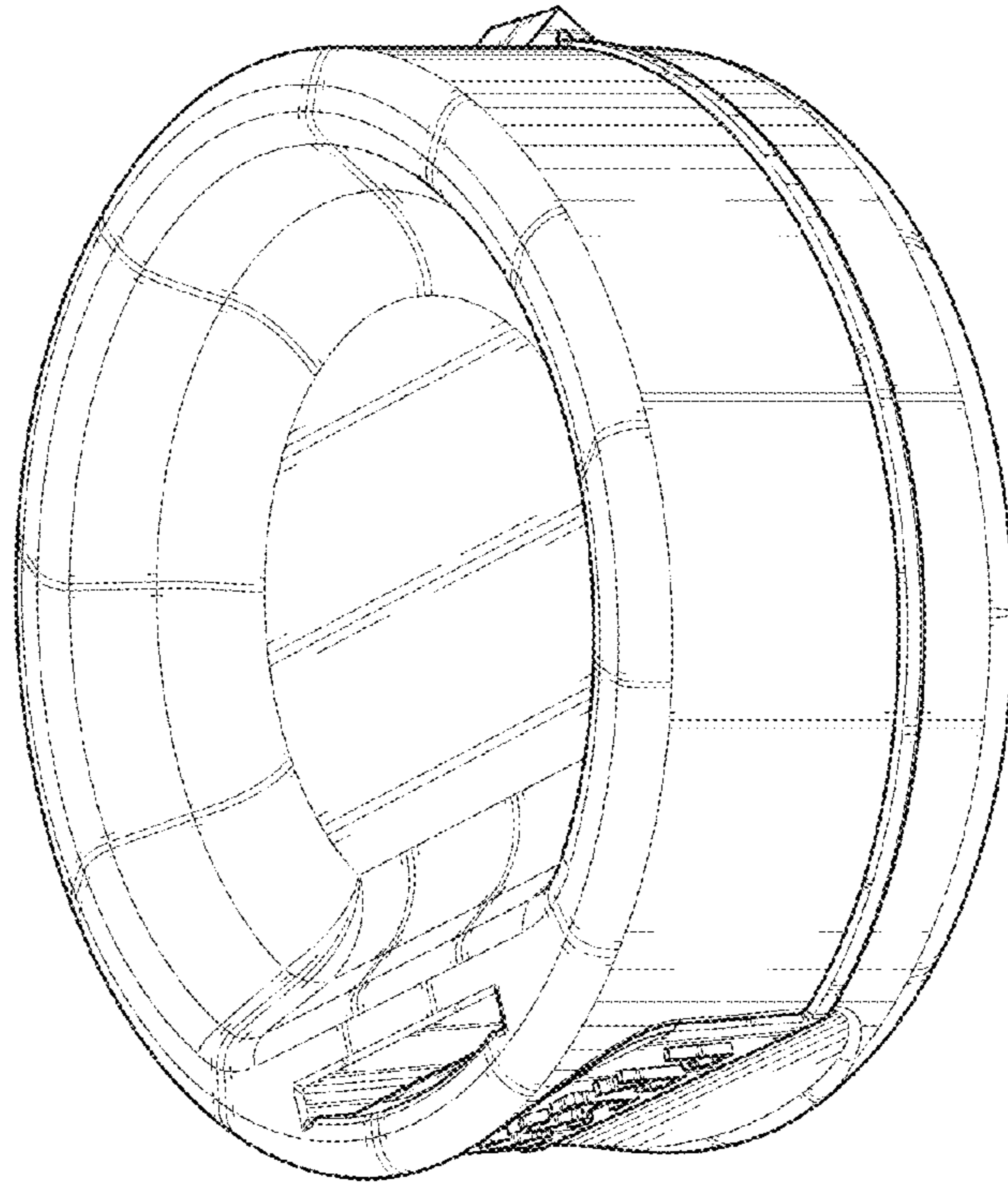


FIG. 2

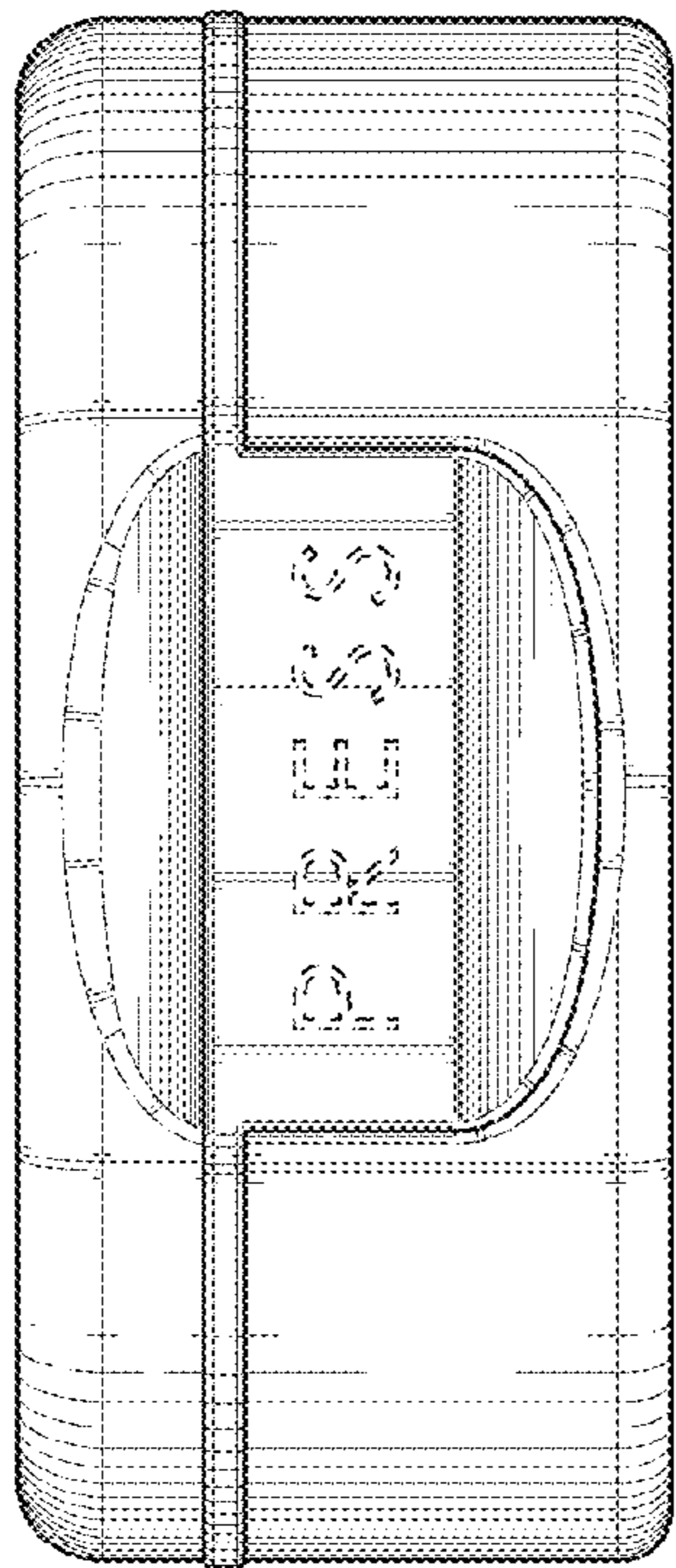


FIG. 3

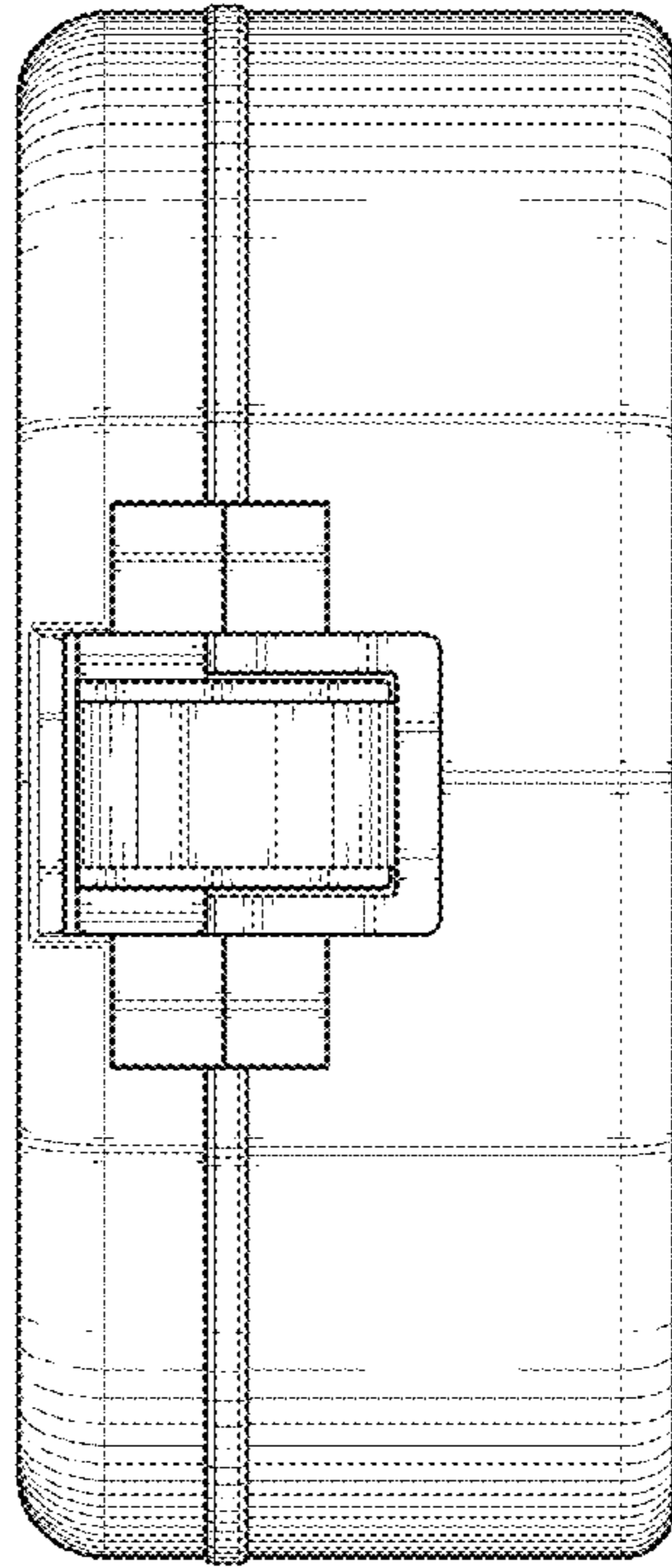


FIG. 4

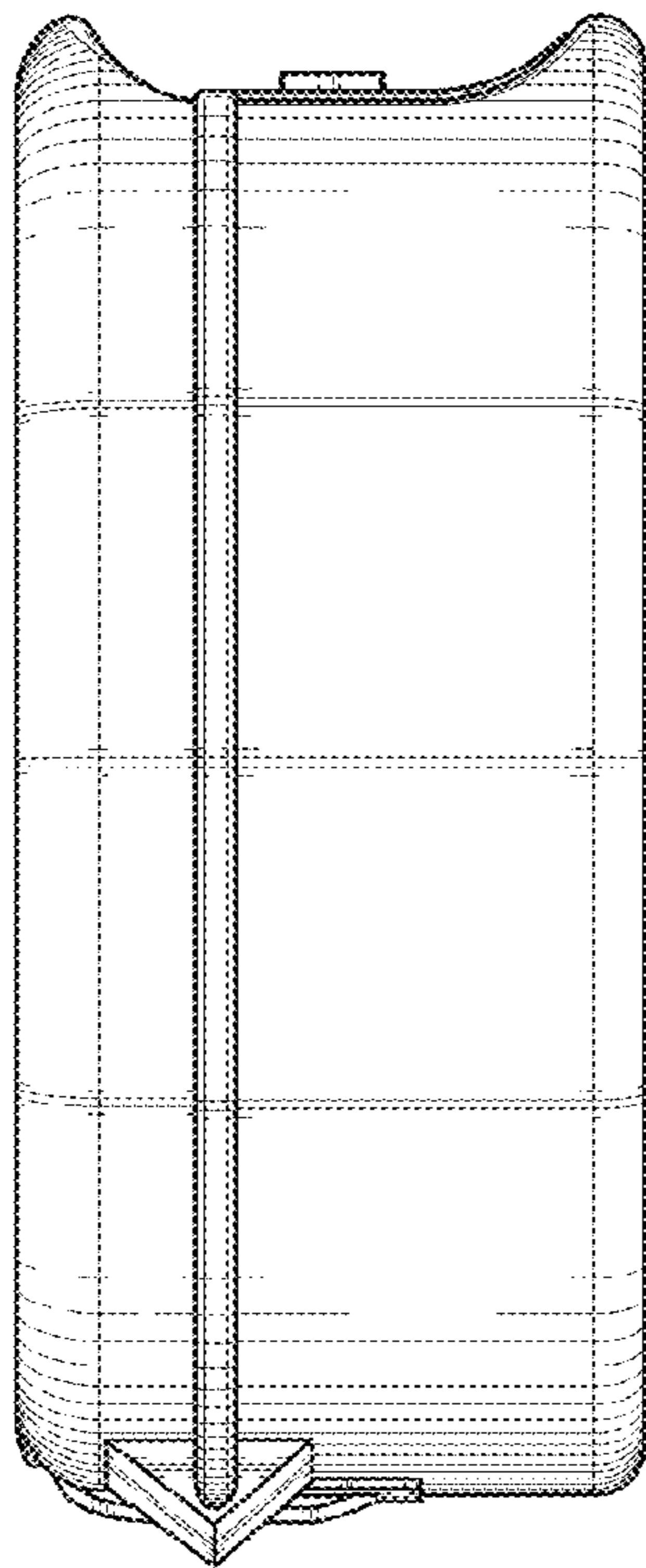


FIG. 5

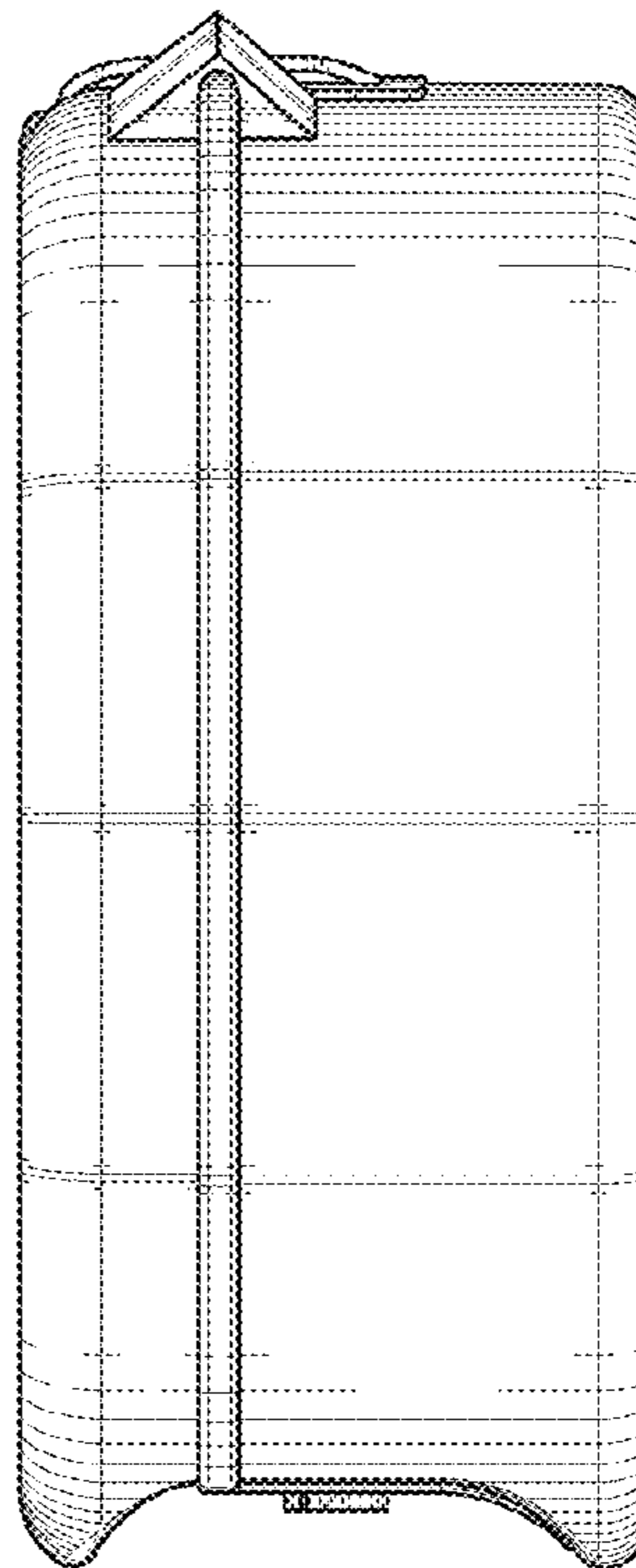


FIG. 6

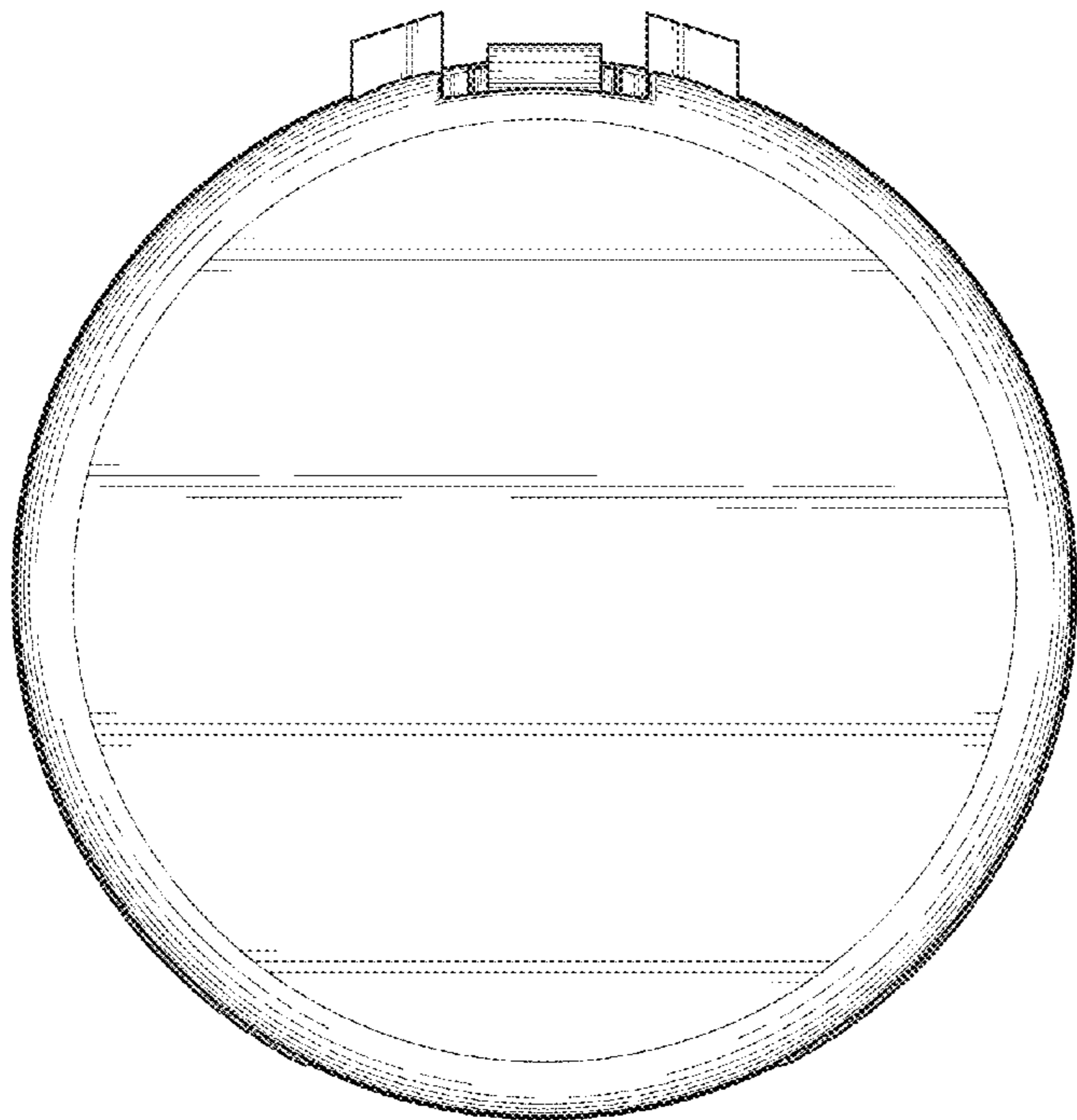


FIG. 7

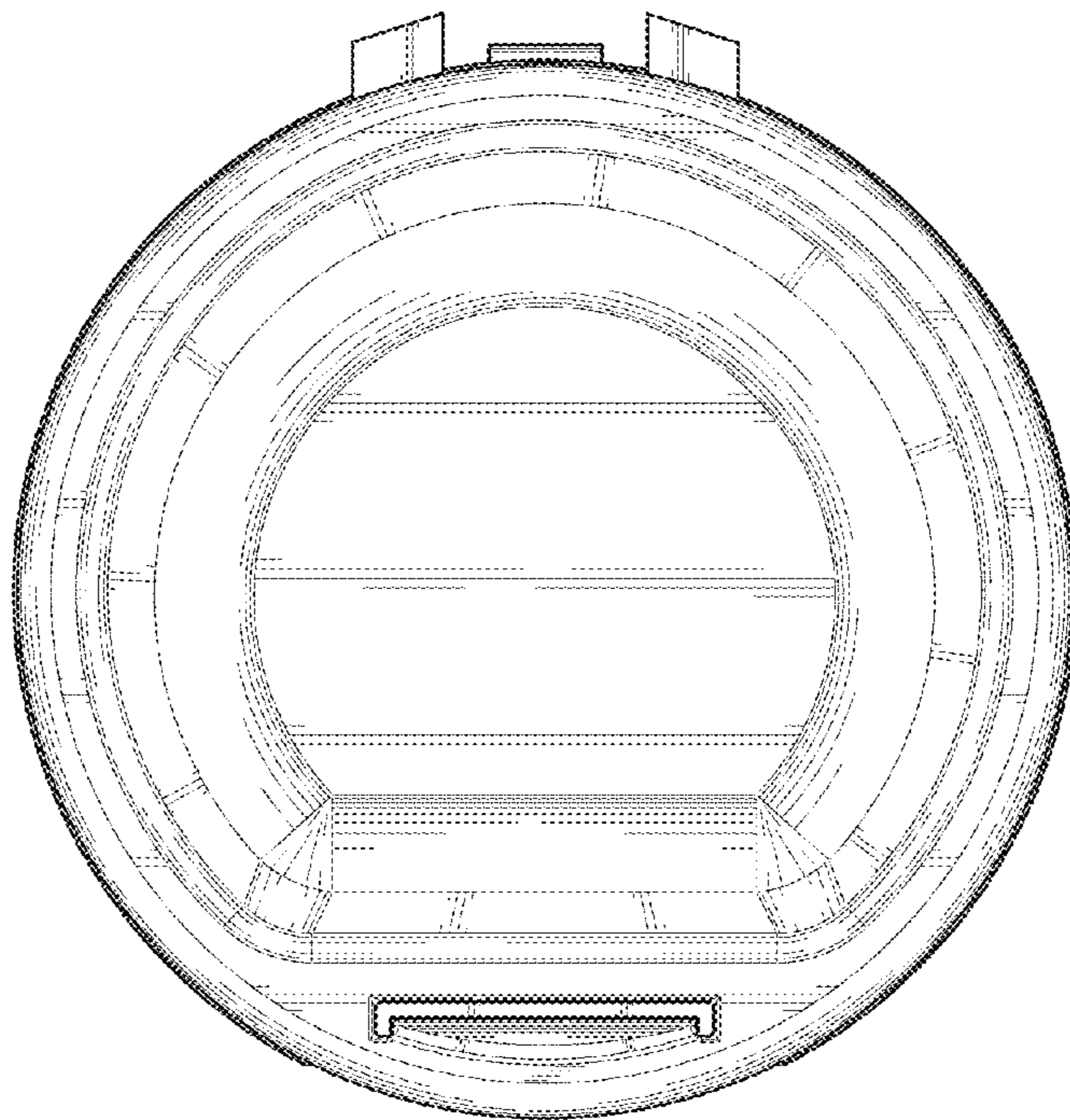


FIG. 8

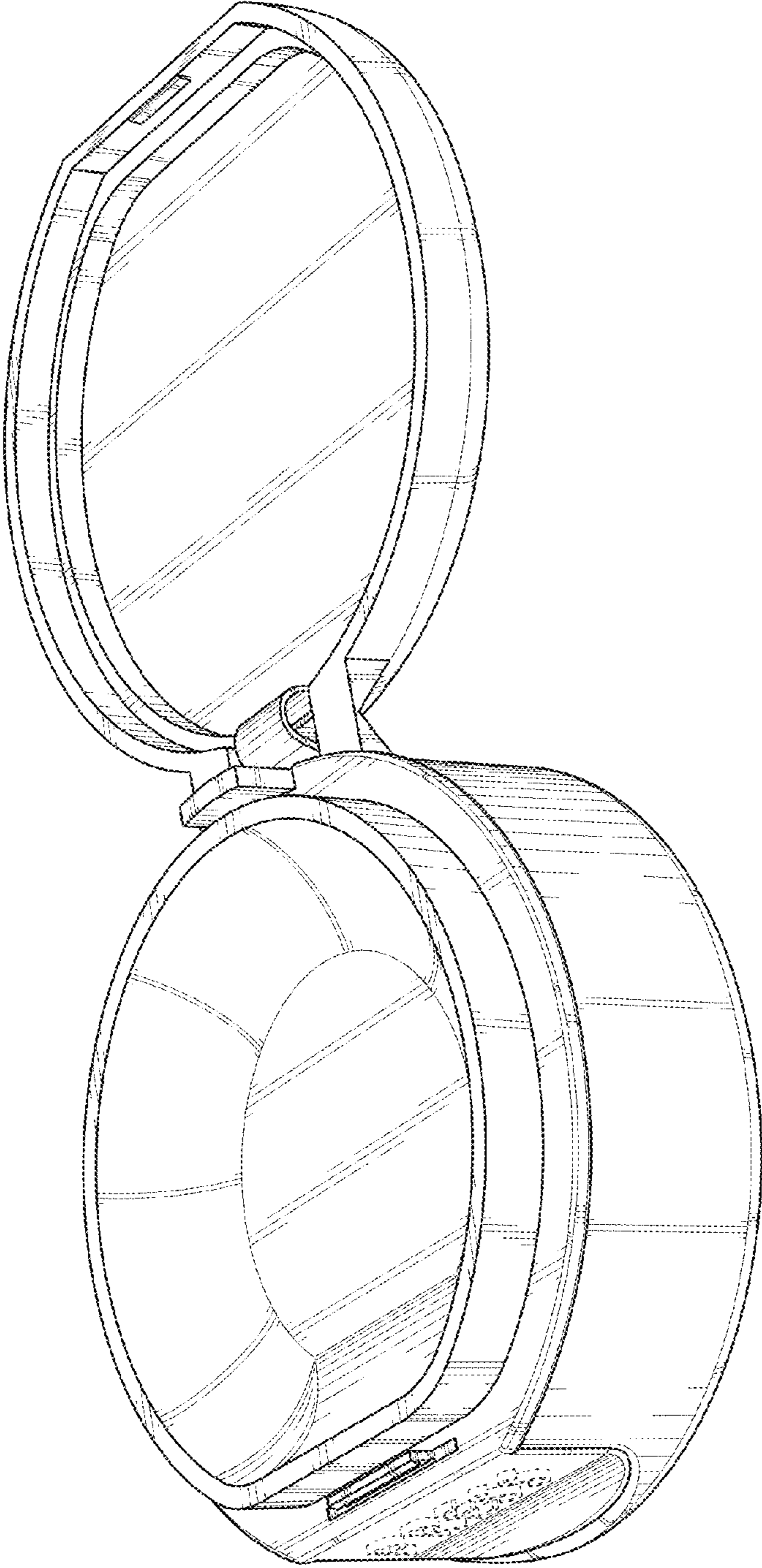


FIG. 9

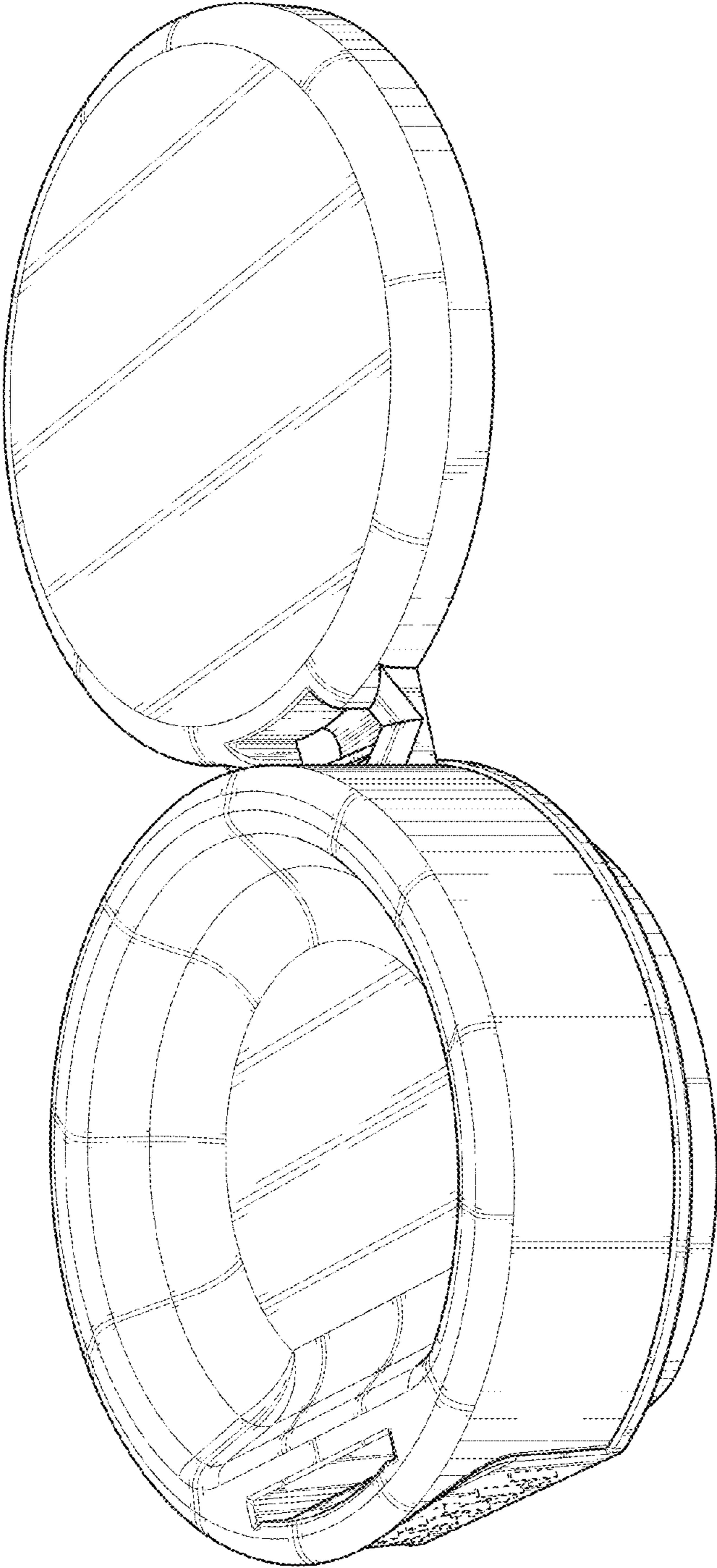


FIG. 10

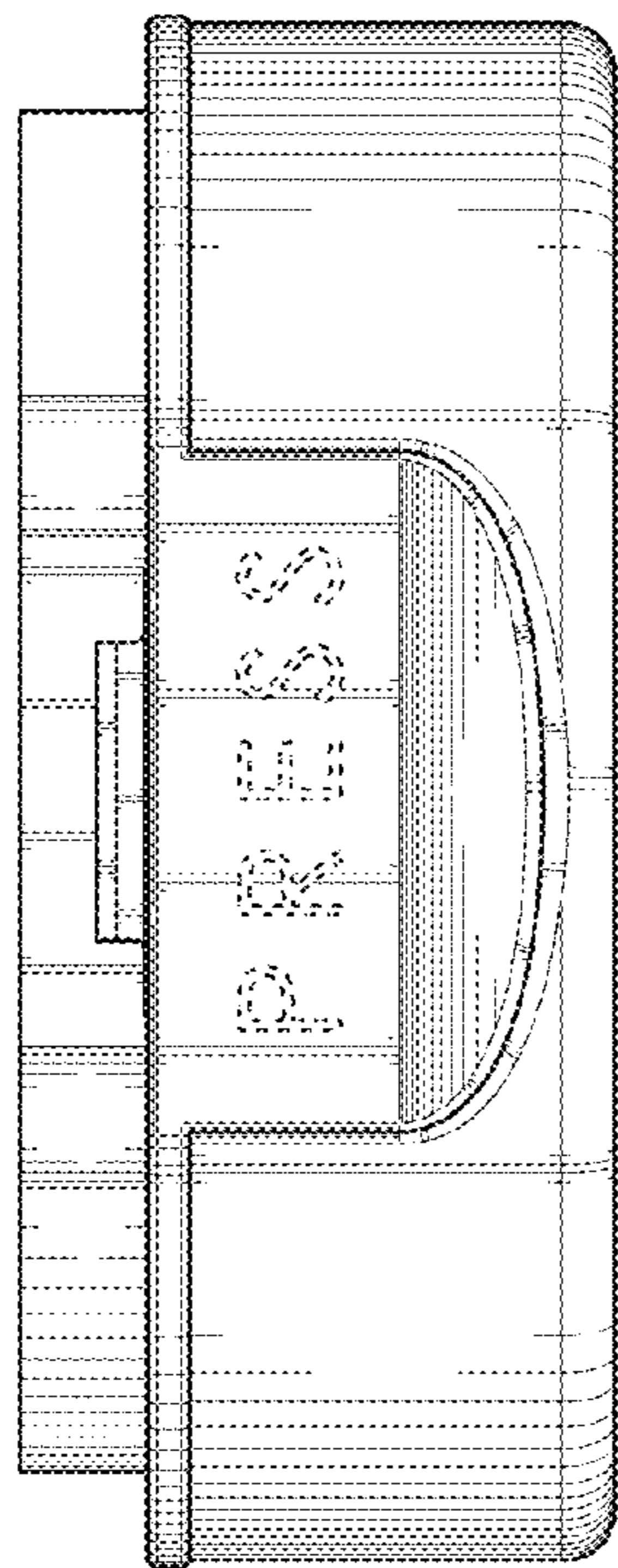


FIG. 11

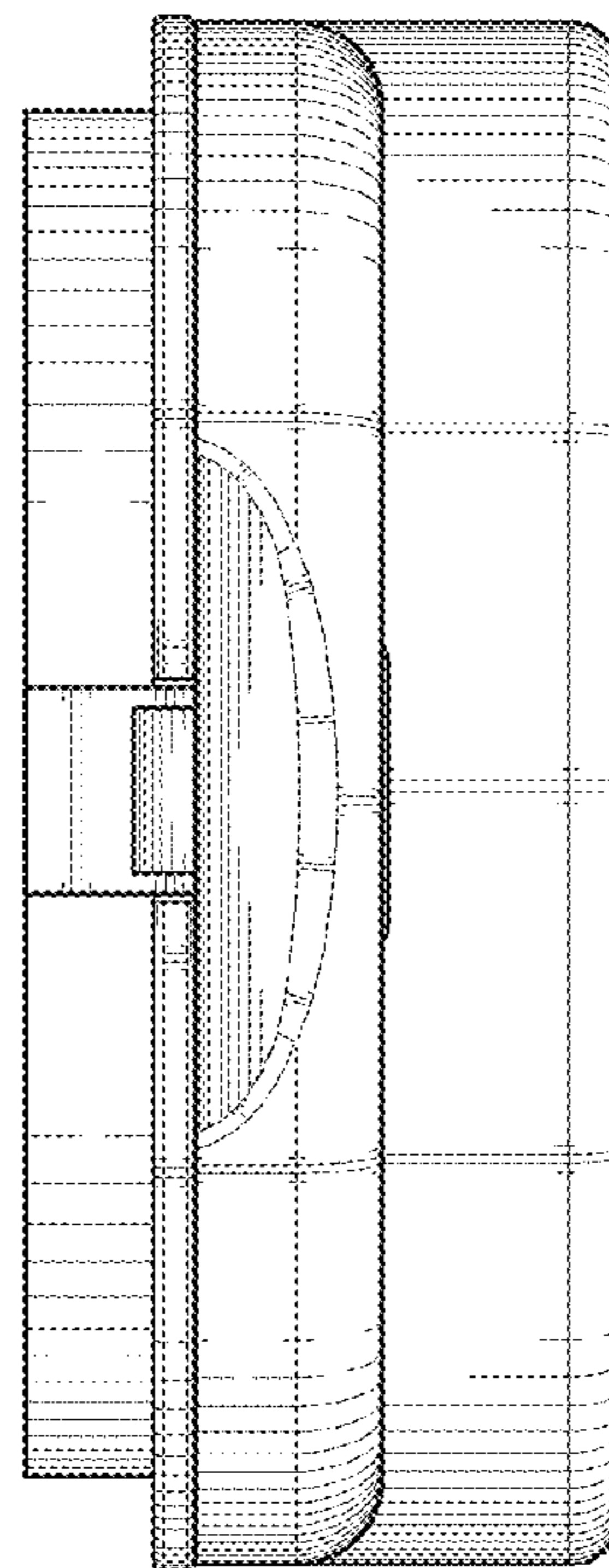


FIG. 12

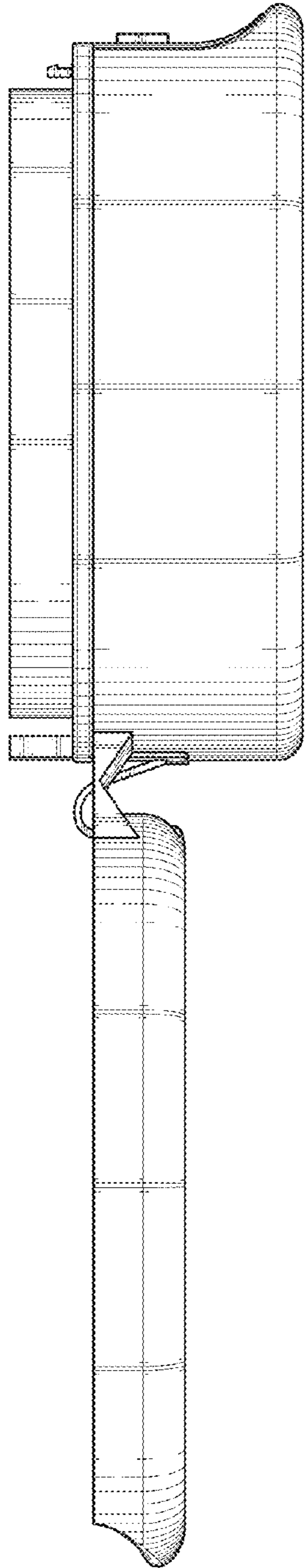


FIG. 13

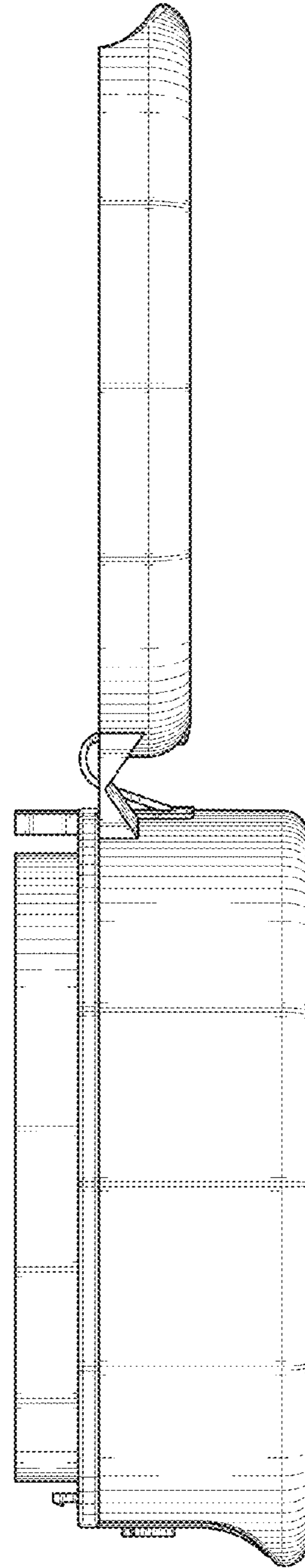


FIG. 14

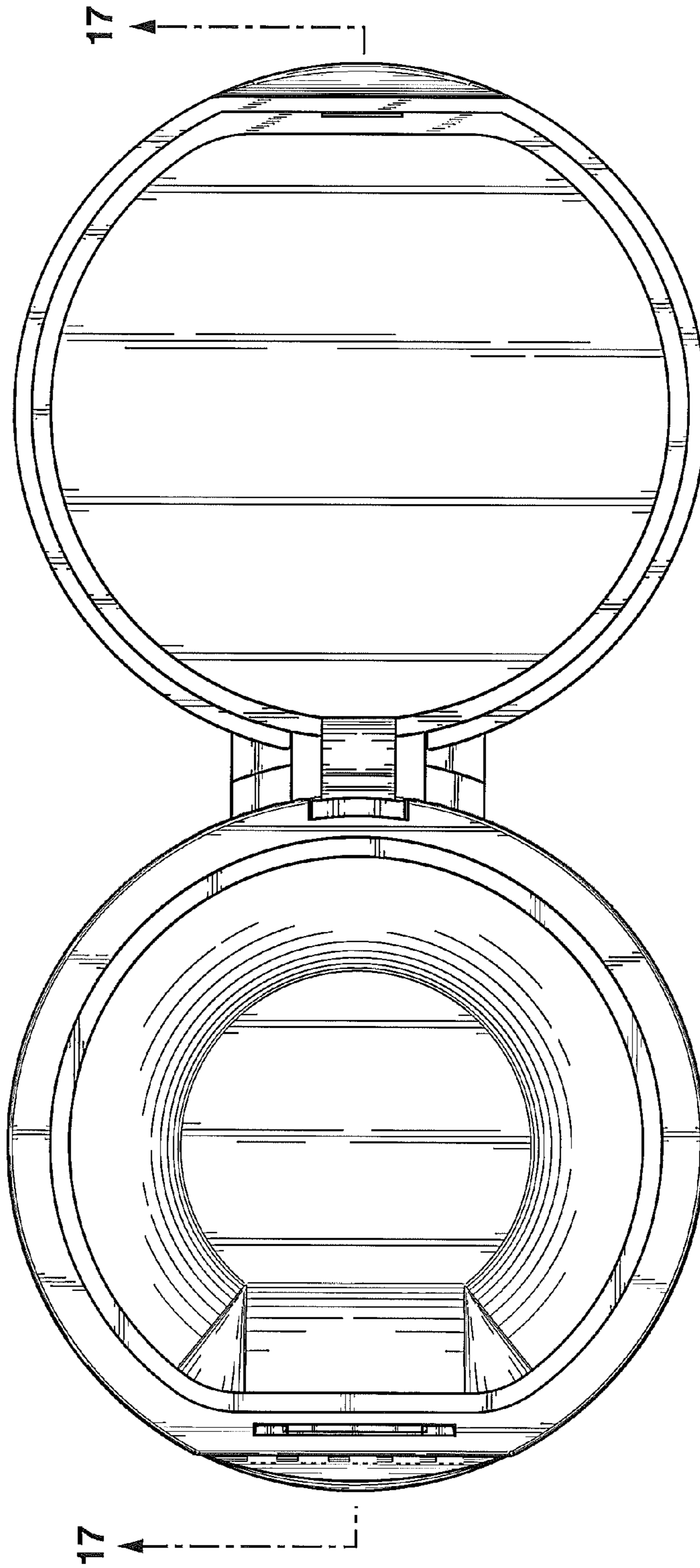


FIG. 15

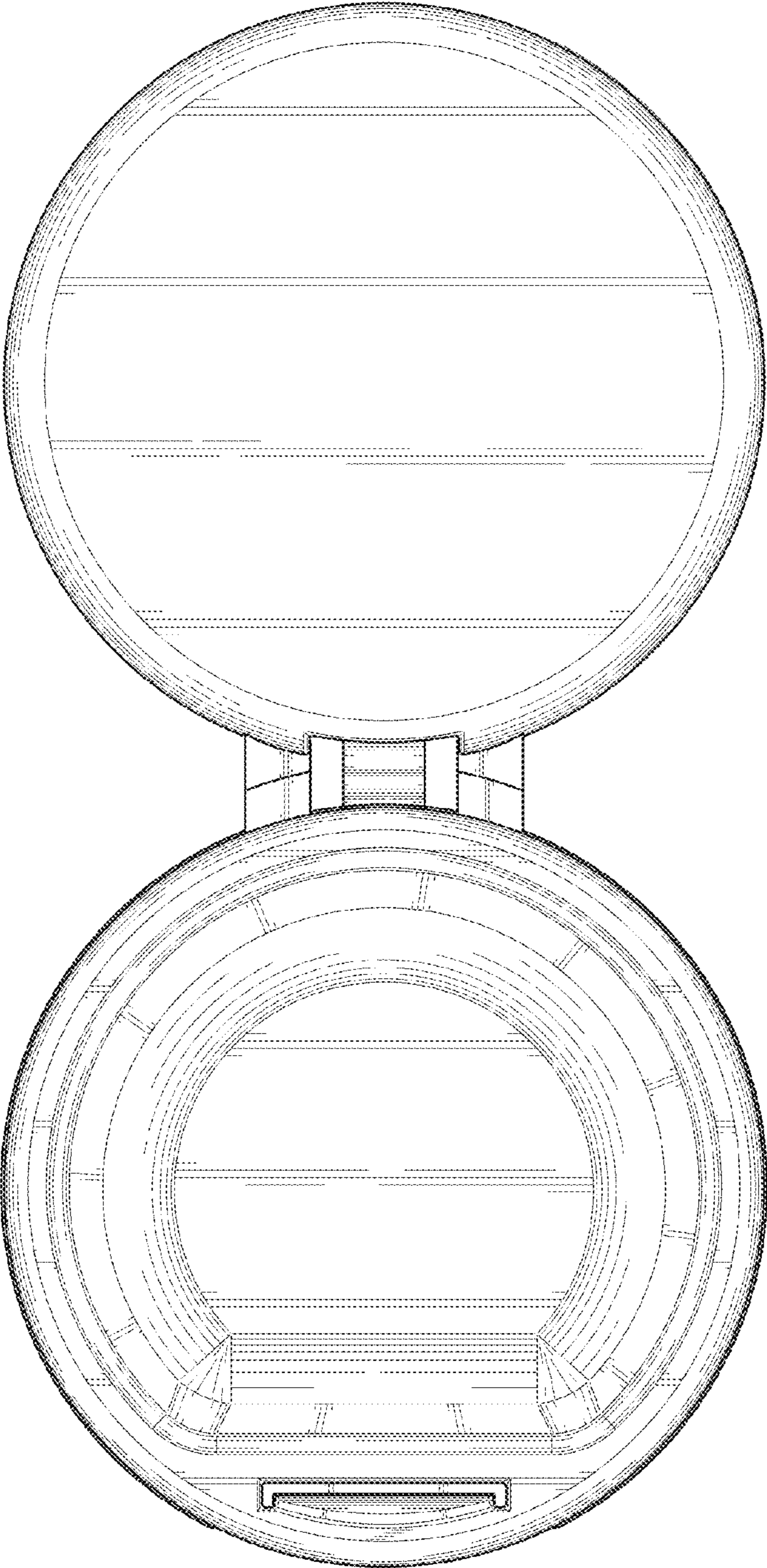


FIG. 16

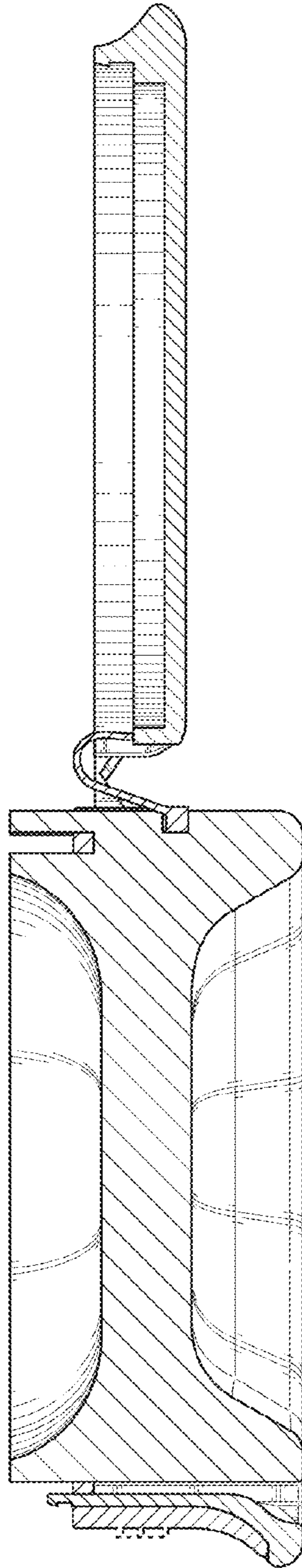


FIG. 17