



US00D708939S

(12) **United States Design Patent**
Zaikov et al.

(10) **Patent No.:** **US D708,939 S**

(45) **Date of Patent:** **** Jul. 15, 2014**

(54) **CONTAINER**

(75) Inventors: **Brad Zaikov**, Congers, NY (US);
Raymond Lewis, Jr., Congers, NY (US)

(73) Assignee: **Jansy Packaging, LLC**, Congers, NY (US)

(**) Term: **14 Years**

(21) Appl. No.: **29/407,158**

(22) Filed: **Nov. 23, 2011**

(51) **LOC (10) Cl.** **09-03**

(52) **U.S. Cl.**
USPC **D9/418**

(58) **Field of Classification Search**
USPC D9/418, 432, 424, 426, 431, 721, 756,
D9/759, 760, 501, 757, 545, 549, 551;
210/808, 232, 239; 206/223, 500, 822,
206/823; 215/10, 11.6, 28, 266, 283
See application file for complete search history.

(56) **References Cited**

U.S. PATENT DOCUMENTS

D112,545 S * 12/1938 Younghusband D9/504
D378,057 S * 2/1997 Dikowitz D9/418
D405,628 S * 2/1999 Terrana et al. D6/472

D478,813 S * 8/2003 Beene D9/519
D502,867 S * 3/2005 Koizumi D9/415
D665,252 S * 8/2012 Mulready D9/418

* cited by examiner

Primary Examiner — Ian Simmons

Assistant Examiner — Rhea Shields

(74) *Attorney, Agent, or Firm* — Frommer Lawrence & Haug LLP; William S. Frommer

(57) **CLAIM**

The ornamental design for a container, as shown and described.

DESCRIPTION

FIG. 1 is a perspective view of a second embodiment of the container according to our invention; FIG. 2 is a top view thereof; and FIG. 3 is a right side view thereof, the left side, front and back views being the same. FIG. 4 is a perspective view of a second embodiment of the container according to our invention; FIG. 5 is a top view thereof; and, FIG. 6 is a right side view thereof, the left side, front and back views being the same. The broken lines shown are for the purpose of illustrating structure that forms no part of the claimed design.

1 Claim, 2 Drawing Sheets

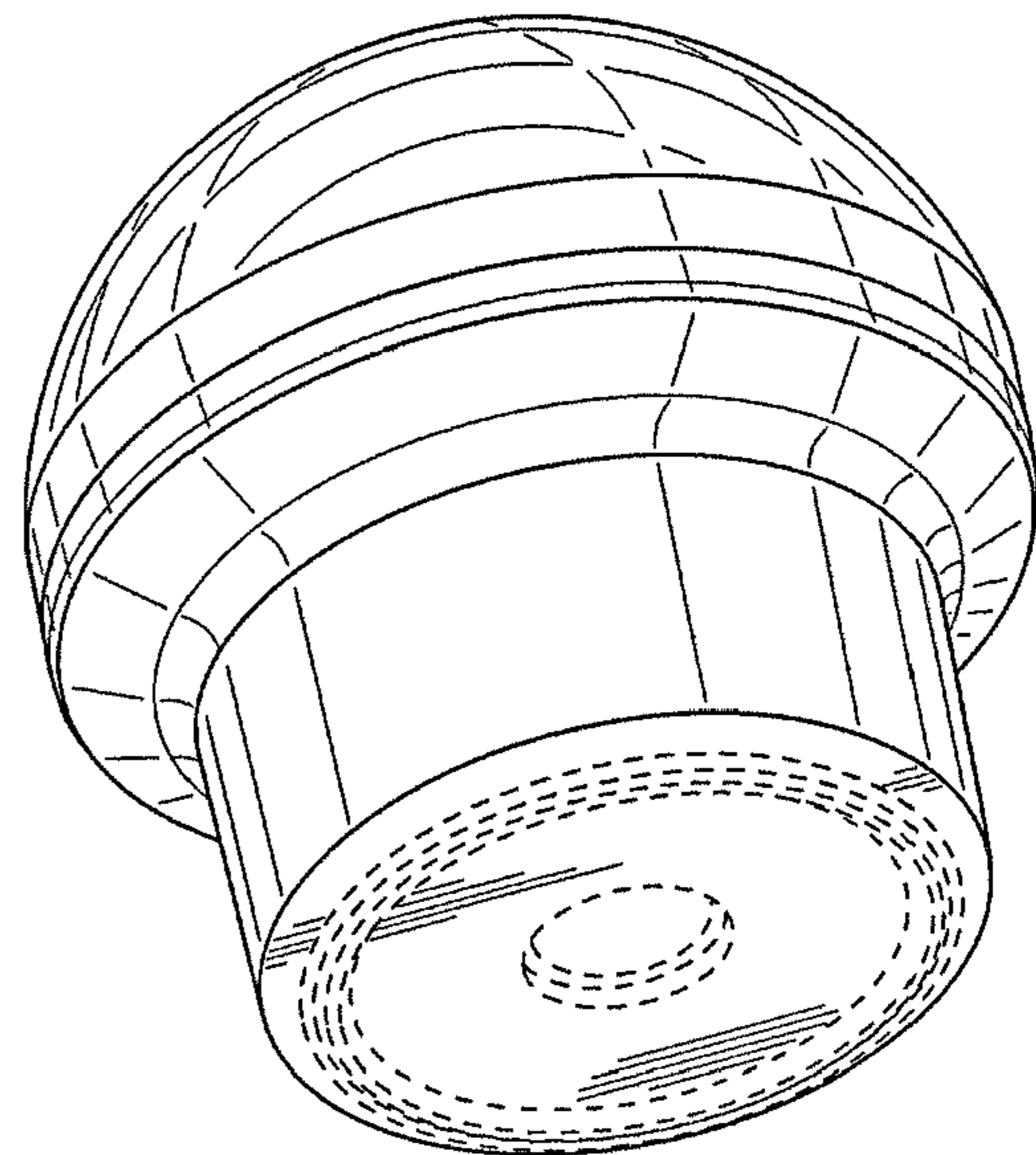
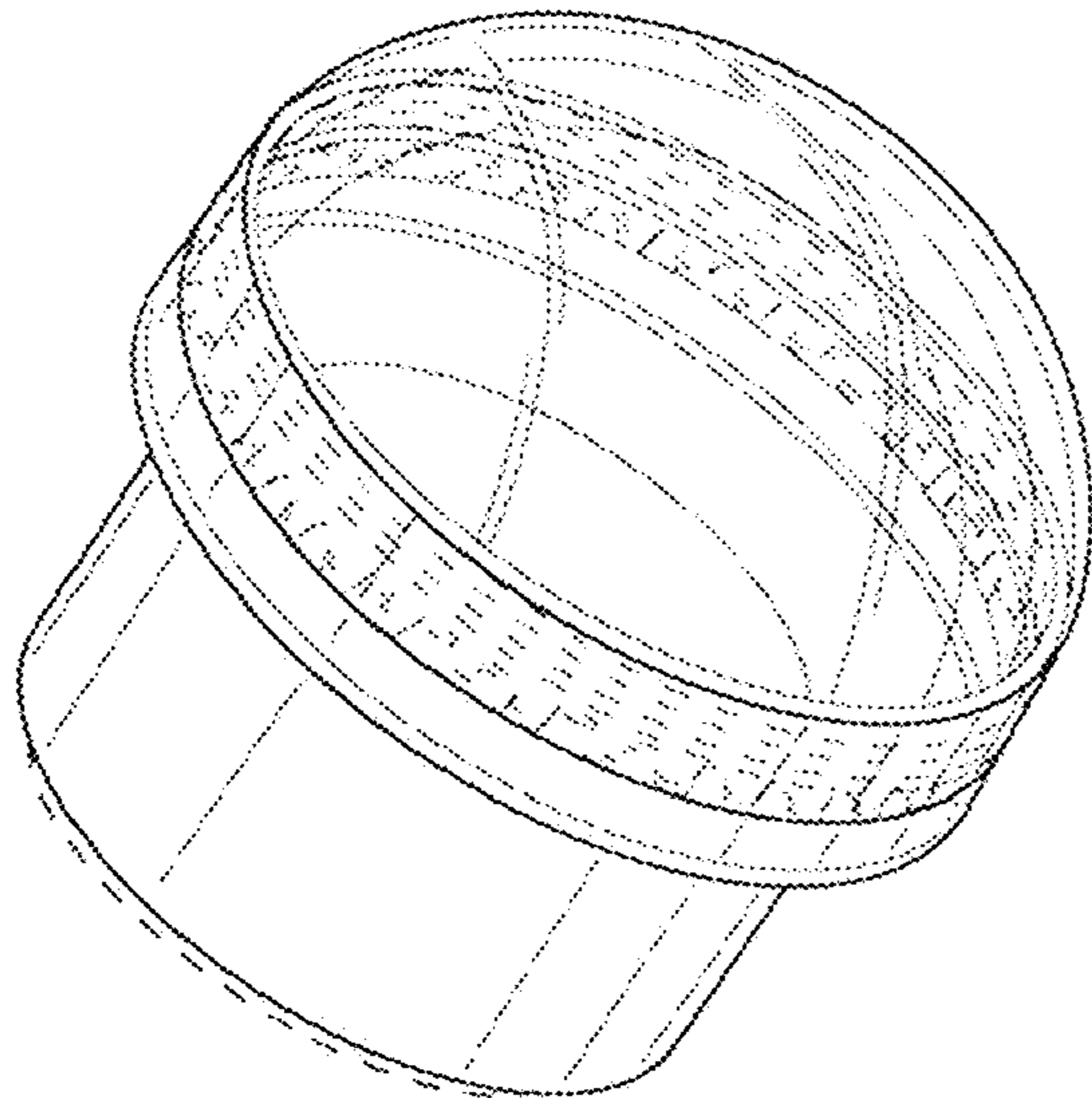


FIG. 1

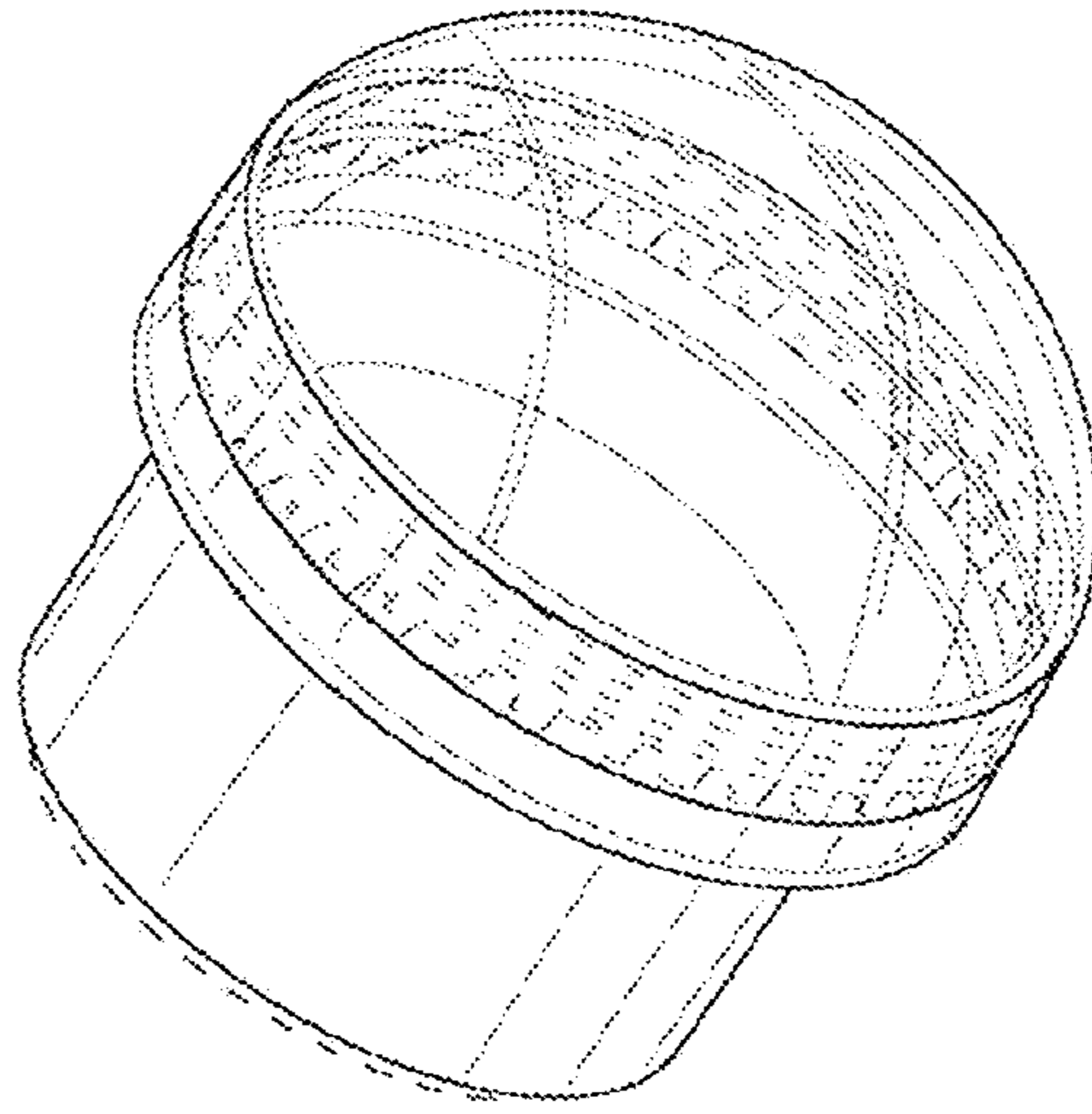


FIG. 2

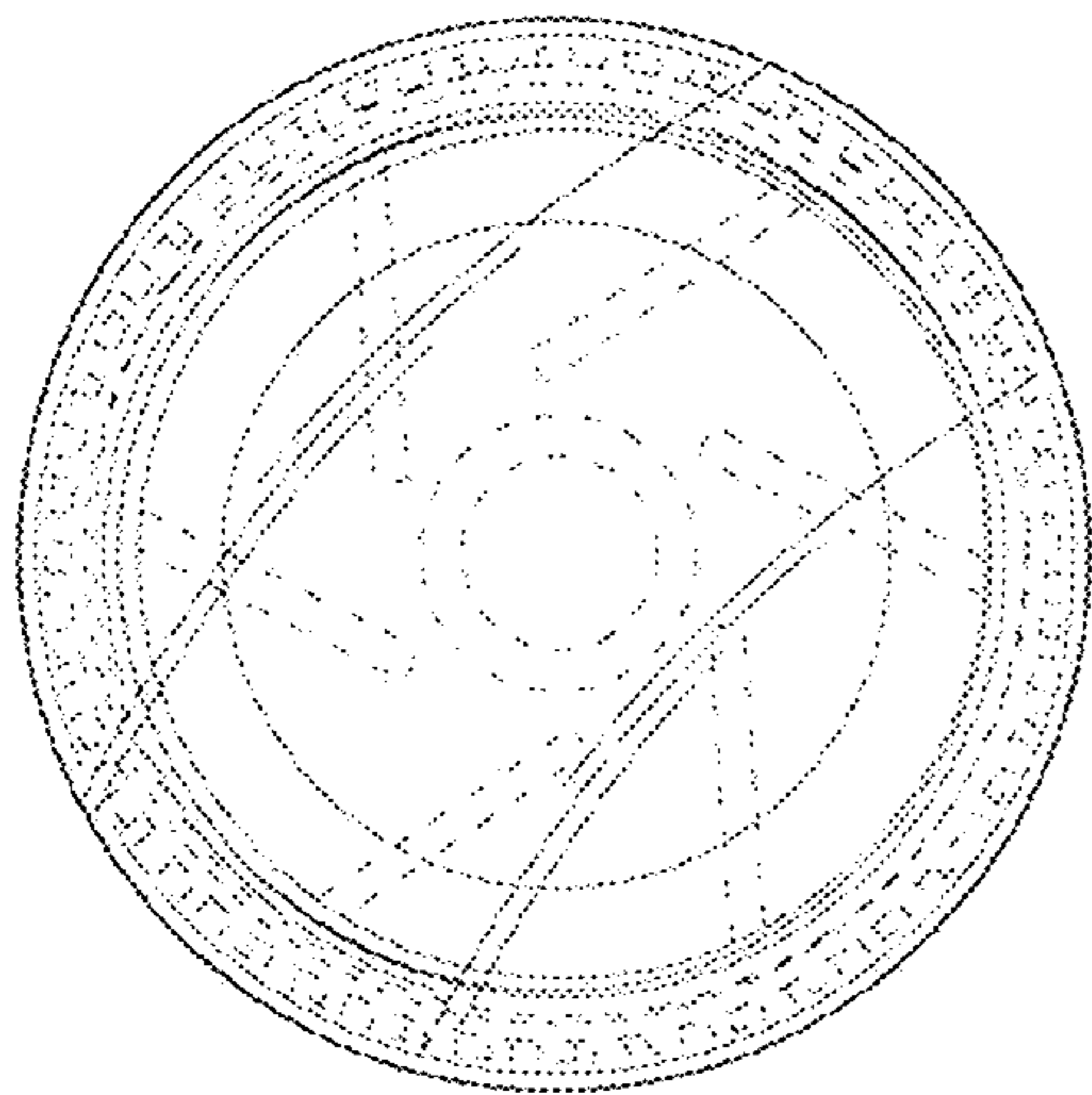
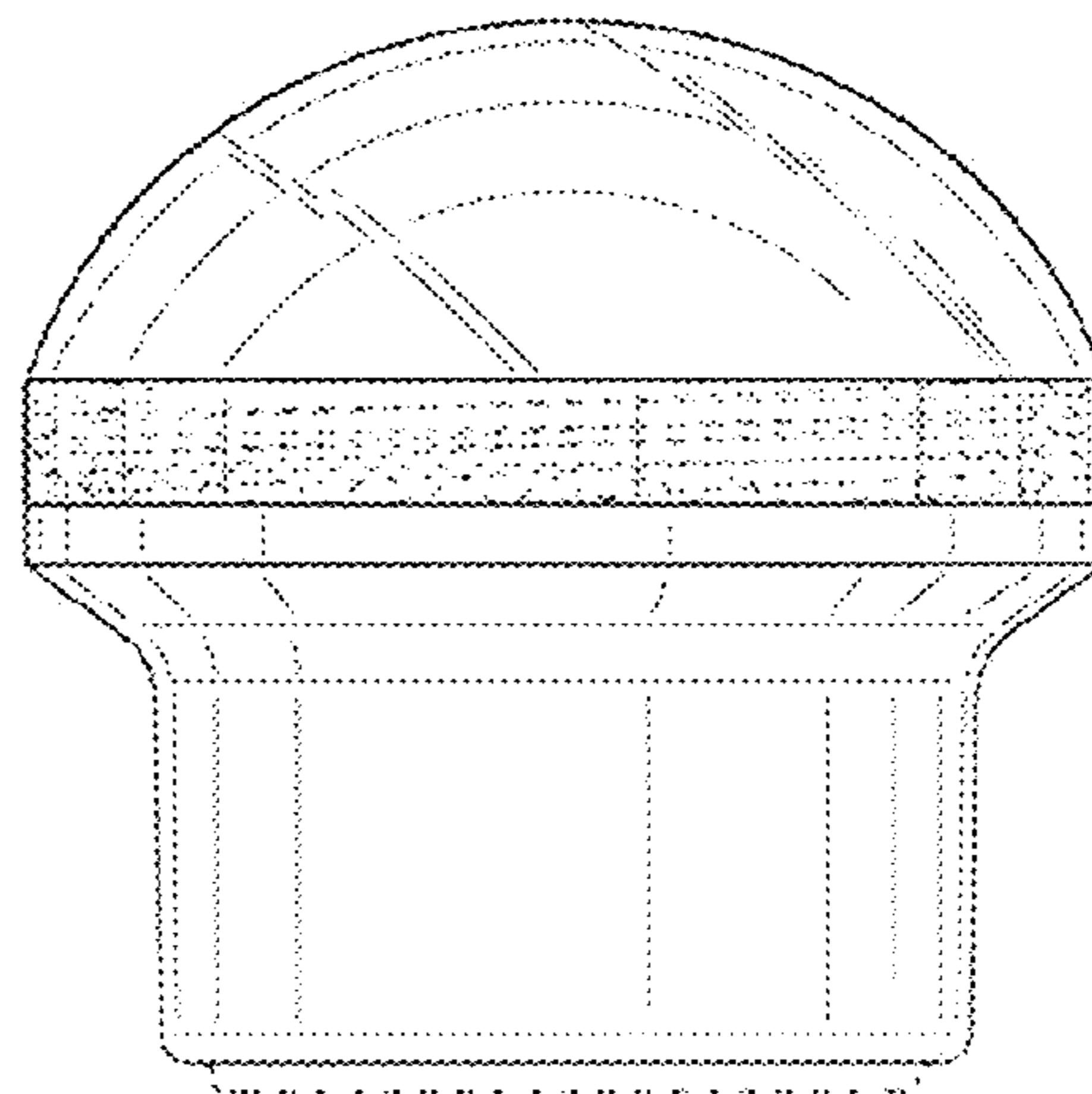


FIG. 3



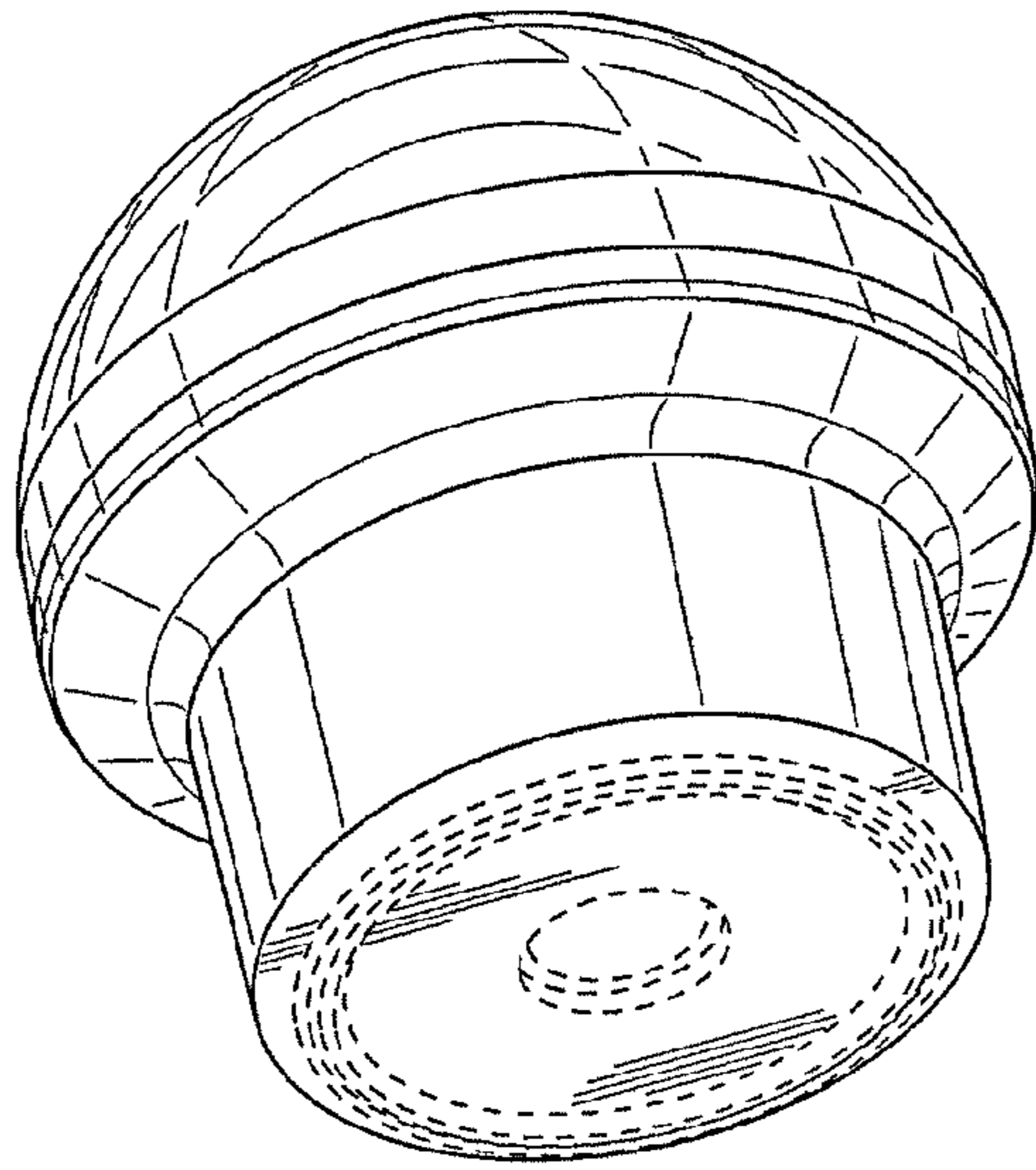


FIG. 4

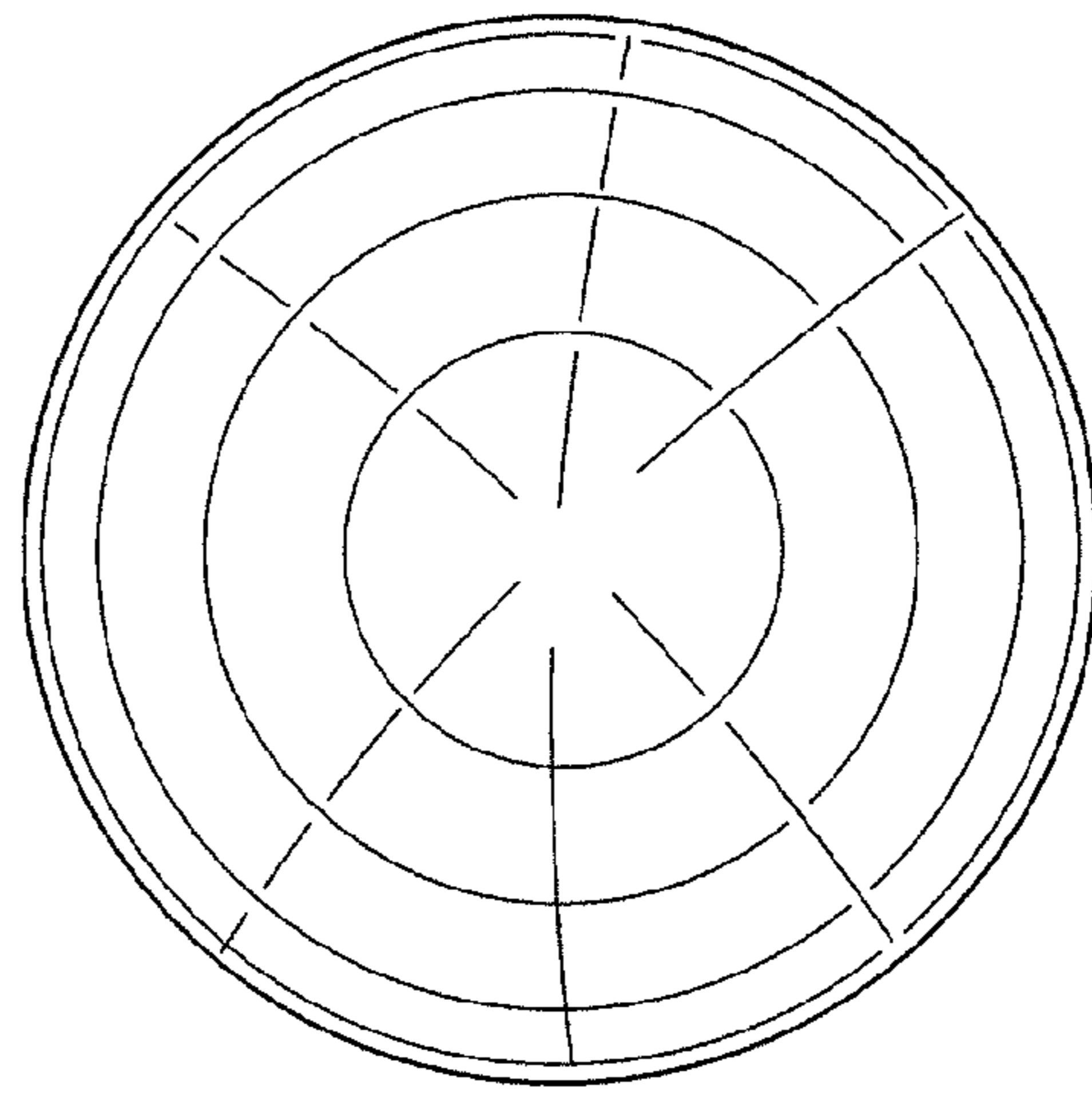


FIG. 5

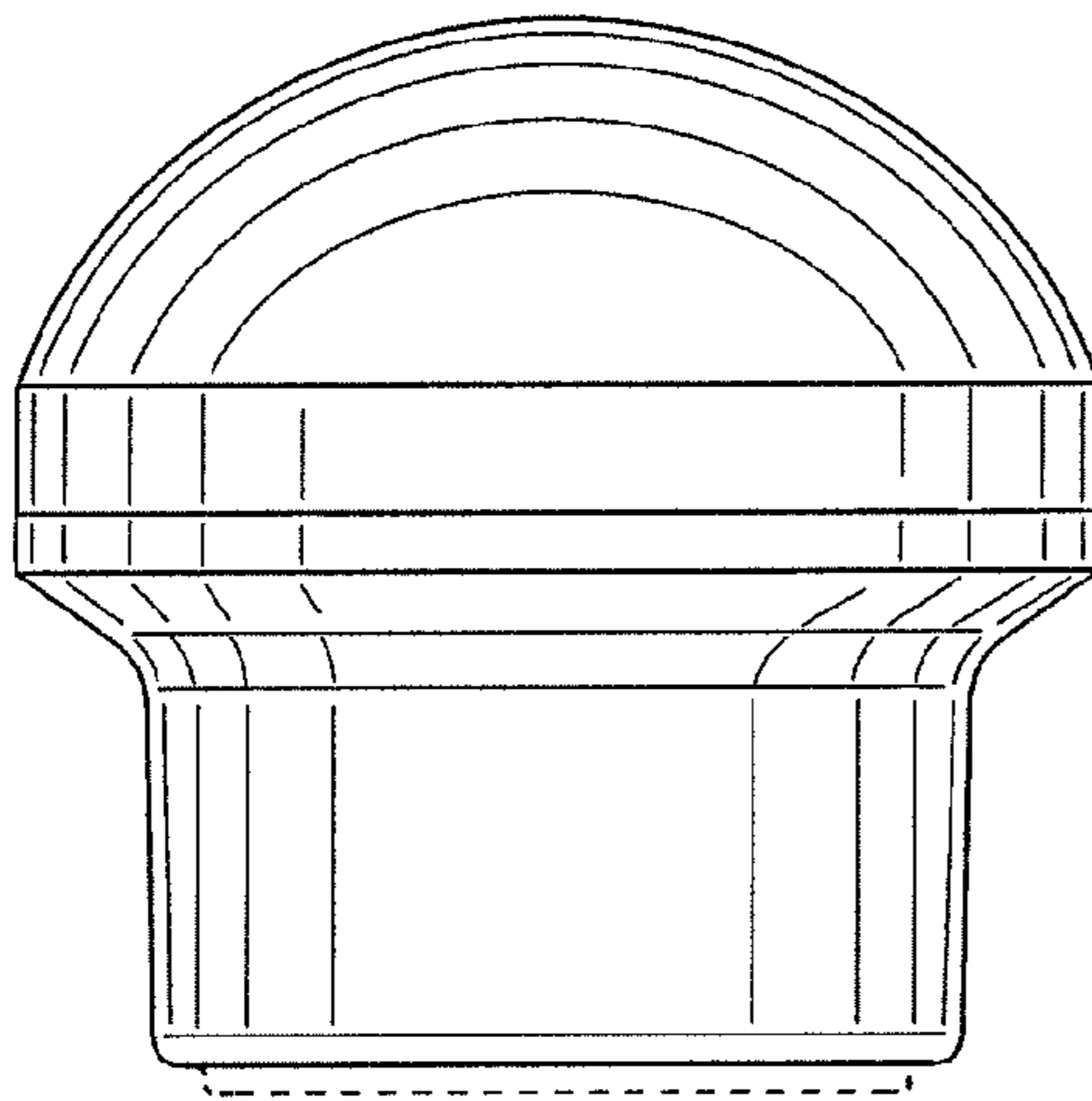


FIG. 6

UNITED STATES PATENT AND TRADEMARK OFFICE
CERTIFICATE OF CORRECTION

PATENT NO. : D708,939 S
APPLICATION NO. : 29/407158
DATED : July 15, 2014
INVENTOR(S) : Brad Zaikov et al.

Page 1 of 1

It is certified that error appears in the above-identified patent and that said Letters Patent is hereby corrected as shown below:

Title Page under "DESCRIPTION":

Column 2, FIG. 3, change "he left side" to

--the left side--.

Signed and Sealed this
Twenty-third Day of September, 2014



Michelle K. Lee
Deputy Director of the United States Patent and Trademark Office