



US00D708938S

(12) **United States Design Patent**  
**Perlman**

(10) **Patent No.:** **US D708,938 S**

(45) **Date of Patent:** **\*\* Jul. 15, 2014**

(54) **CLIP**

(71) Applicant: **Toytech Ltd.**, Minneapolis, MN (US)

(72) Inventor: **Steve Perlman**, Minneapolis, MN (US)

(73) Assignee: **Toytech, Ltd.**, Minneapolis, MN (US)

(\*\*) Term: **14 Years**

(21) Appl. No.: **29/434,790**

(22) Filed: **Oct. 17, 2012**

(51) **LOC (10) Cl.** ..... **08-08**

(52) **U.S. Cl.**  
USPC ..... **D8/395**

(58) **Field of Classification Search**  
USPC ..... D8/394-396, 72, 367, 373; D19/56, 65,  
D19/86; 24/67.3; D32/60-64; D28/40  
See application file for complete search history.

(56) **References Cited**

U.S. PATENT DOCUMENTS

D175,169 S \* 7/1955 Jacobson ..... D6/326  
D229,810 S \* 1/1974 Wahl ..... D6/326

D267,833 S \* 2/1983 Anderson ..... D11/202  
4,605,990 A \* 8/1986 Wilder et al. .... 362/581  
D295,811 S \* 5/1988 Larsson ..... D6/326  
5,052,085 A \* 10/1991 Gau ..... 24/501  
D374,170 S \* 10/1996 Slaski ..... D8/395  
D481,618 S \* 11/2003 Felsenthal ..... D8/373  
D520,078 S \* 5/2006 Pollack ..... D21/453  
D552,461 S \* 10/2007 Oas ..... D8/395  
D604,154 S \* 11/2009 Allsopp ..... D8/395  
D637,220 S \* 5/2011 Levine ..... D16/135  
D677,562 S \* 3/2013 Kachler ..... D8/395

\* cited by examiner

*Primary Examiner* — John Windmuller

(74) *Attorney, Agent, or Firm* — Haugen Law Firm PLLP

(57) **CLAIM**

The ornamental design for a clip, as shown and described.

**DESCRIPTION**

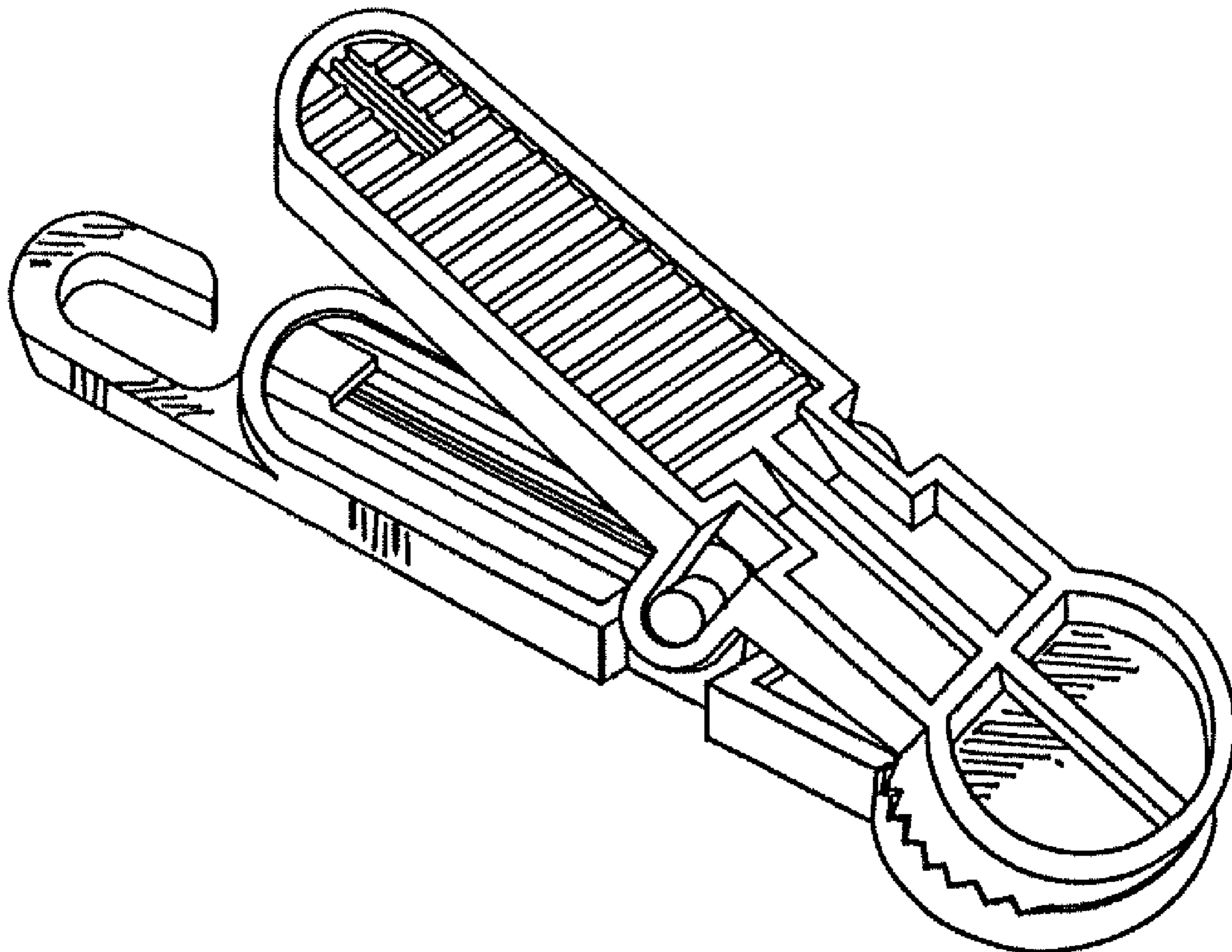
FIG. 1 is a front, left, perspective view of the clip of the present invention;

FIG. 2 is a top plan view of clip shown in FIG. 1;

FIG. 3 is a front, right, perspective view of the clip shown in FIG. 1; and,

FIG. 4 is a bottom plan view of the clip shown in FIG. 1.

**1 Claim, 1 Drawing Sheet**



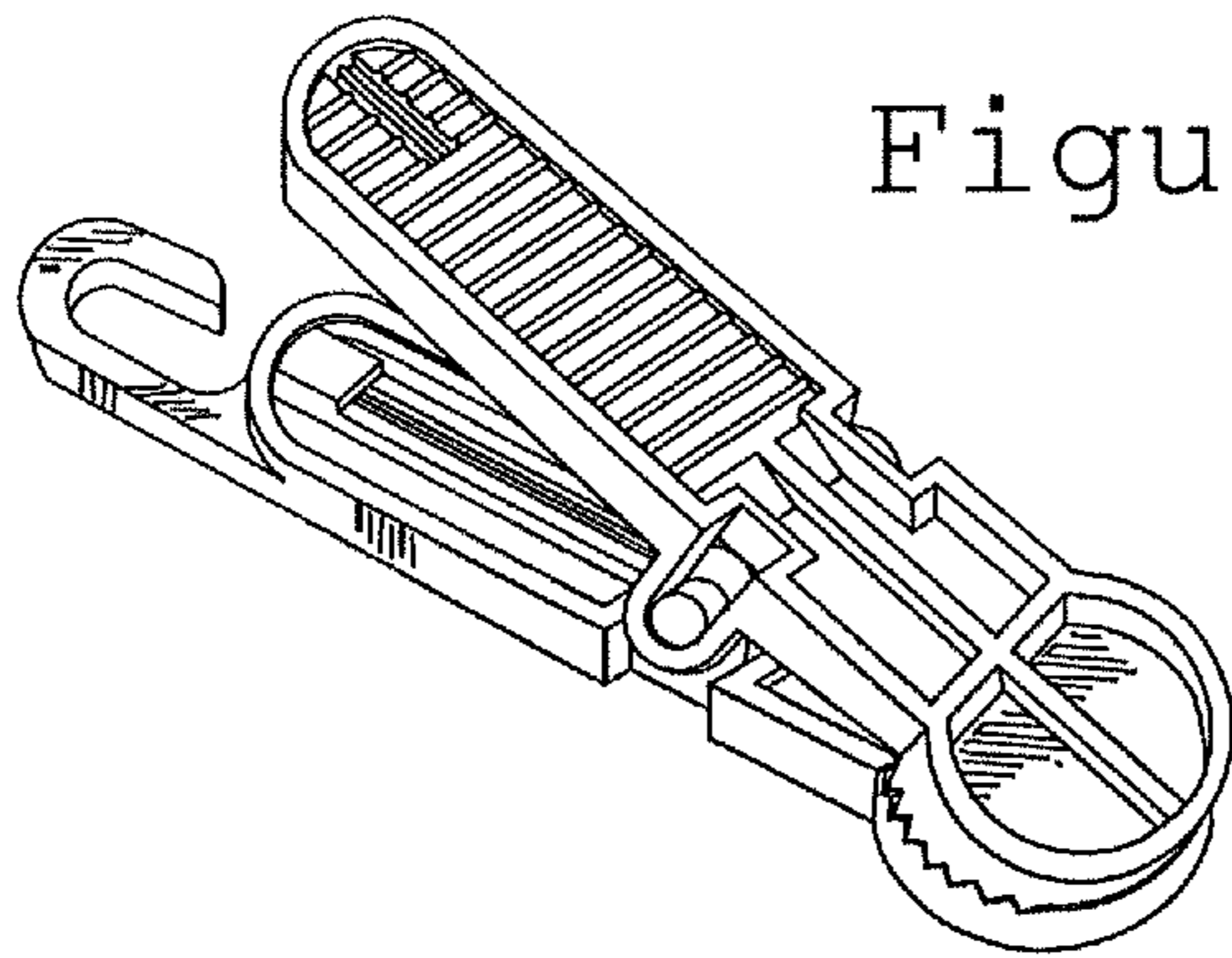


Figure 1

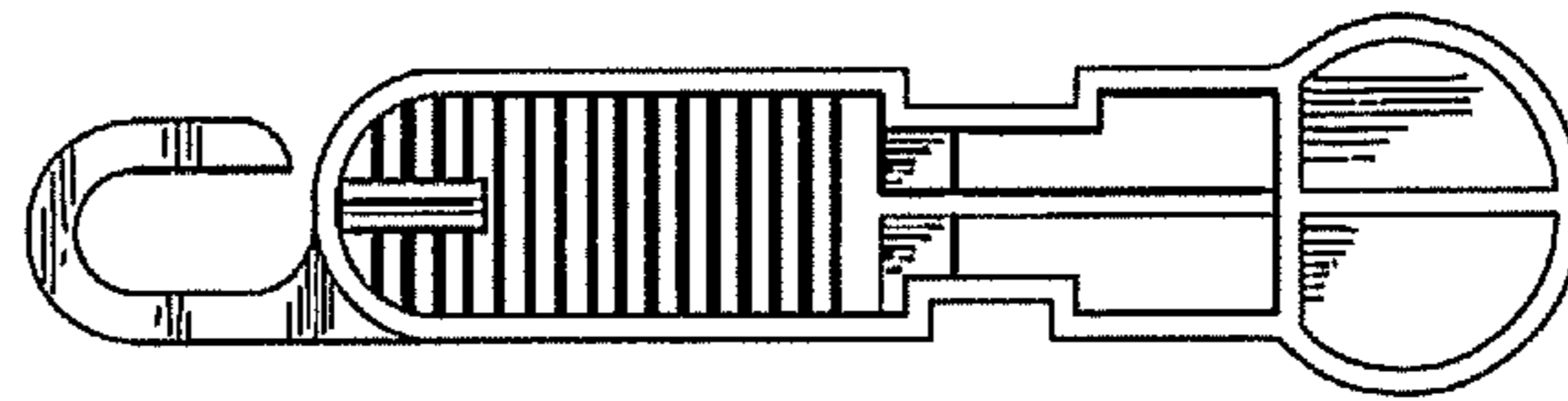


Figure 2

Figure 3

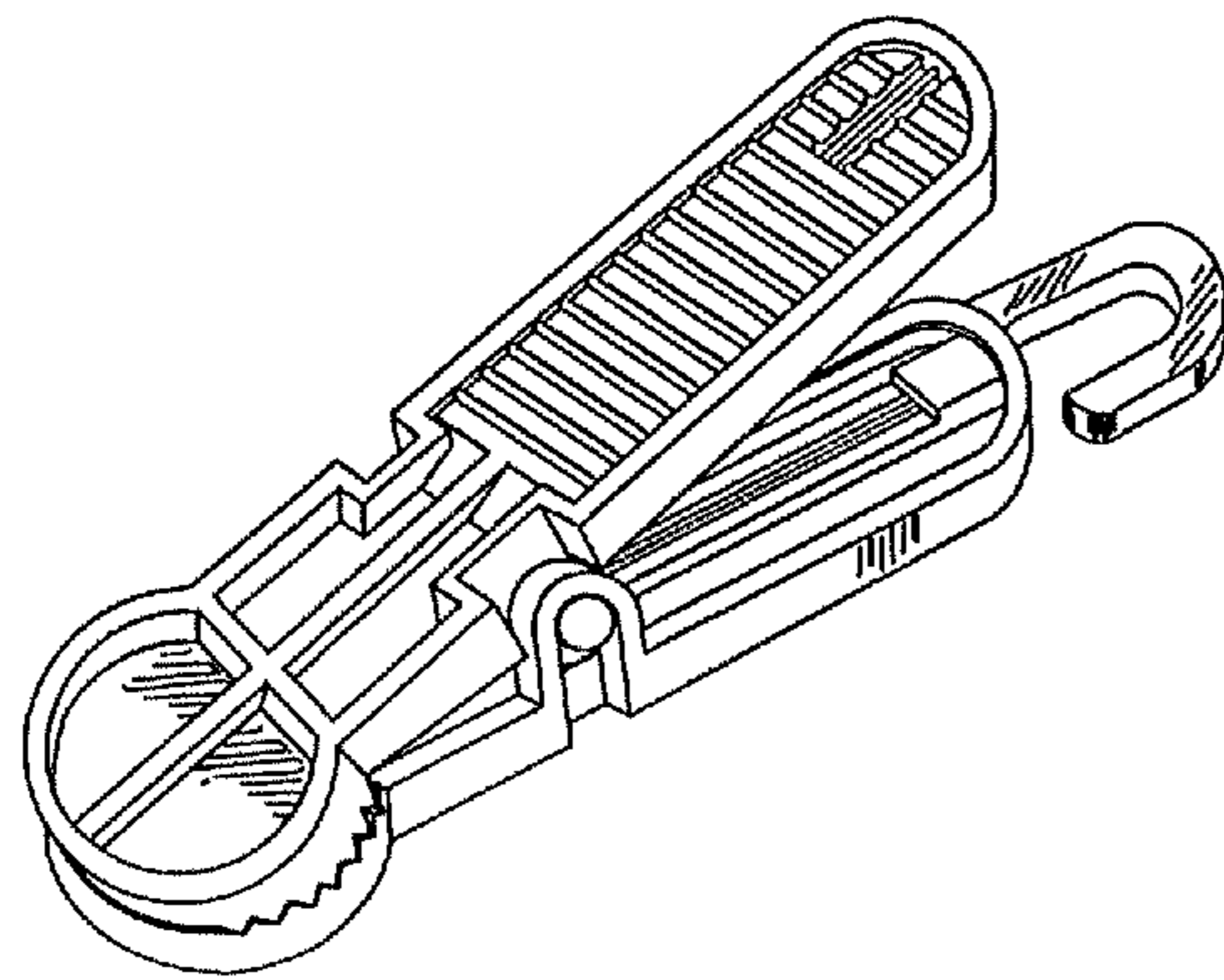


Figure 4

