



US00D708937S

(12) **United States Design Patent**
Lemler

(10) **Patent No.:** **US D708,937 S**
(45) **Date of Patent:** **** Jul. 15, 2014**

(54) **BLIND, BULBING, TACKING RIVET**

(71) Applicant: **SPS Technologies, LLC**, Jenkintown,
PA (US)

(72) Inventor: **Caleb Lemler**, Santa Ana, CA (US)

(73) Assignee: **SPS Technologies, LLC**, Jenkintown,
PA (US)

(**) Term: **14 Years**

(21) Appl. No.: **29/464,420**

(22) Filed: **Aug. 16, 2013**

(51) **LOC (10) Cl.** **08-08**

(52) **U.S. Cl.**
USPC **D8/386**

(58) **Field of Classification Search**
USPC D8/384–386, 367, 370, 354, 349, 382;
52/677, 682, 684, 686, 712; 248/302,
248/249; 411/500–510
See application file for complete search history.

(56) **References Cited**

U.S. PATENT DOCUMENTS

4,285,265 A * 8/1981 Rieper 411/501
D264,429 S * 5/1982 Foscarini et al. D8/385
D298,605 S * 11/1988 Colgan et al. D8/382

D367,813 S * 3/1996 Halstrom D8/386
D448,279 S * 9/2001 Powell D8/386
6,406,237 B1 * 6/2002 Wojciechowski et al. 411/107
D467,161 S * 12/2002 Klenck et al. D8/385
6,499,926 B2 * 12/2002 Keener 411/504
D627,490 S * 11/2010 Janish et al. D25/199
D663,613 S * 7/2012 Bohnet et al. D8/387

* cited by examiner

Primary Examiner — Sheryl Lane

(74) *Attorney, Agent, or Firm* — Brinks Gilson & Lione

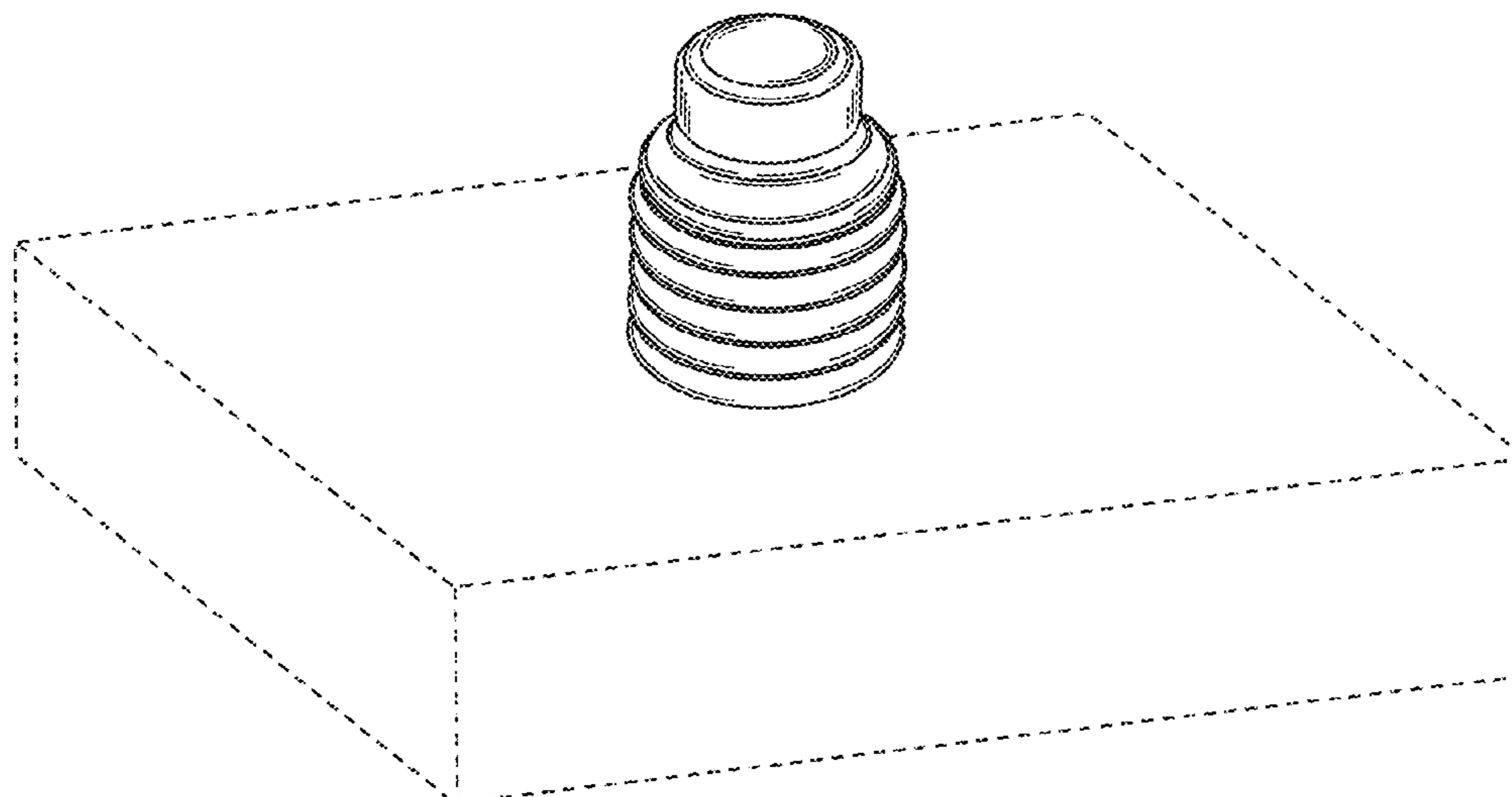
(57) **CLAIM**

The ornamental design for a blind, bulbing, tacking rivet, as shown and described.

DESCRIPTION

FIG. 1 is a perspective view of the blind, bulbing, tacking rivet from a blind side of a workpiece;
FIG. 2 is a top perspective view from the opposite side thereof;
FIG. 3 is a side view thereof;
FIG. 4 is bottom view thereof, from the blind side of the workpiece; and,
FIG. 5 is a top view thereof.
The broken lines are included for the purpose of illustrating a workpiece through which the blind, bulbing, tacking rivet is installed and forms no part of the claimed design.

1 Claim, 5 Drawing Sheets



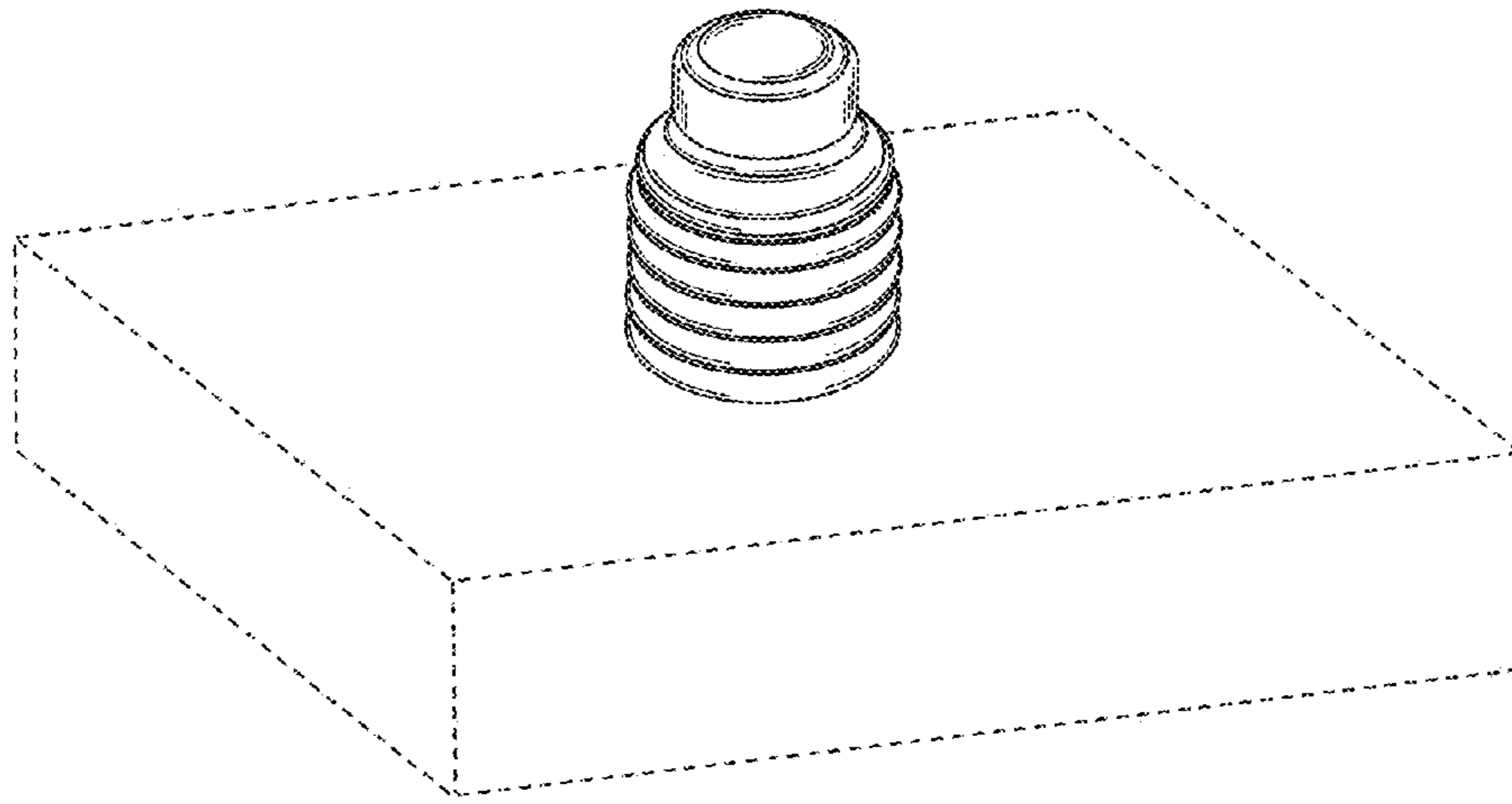


FIG. 1

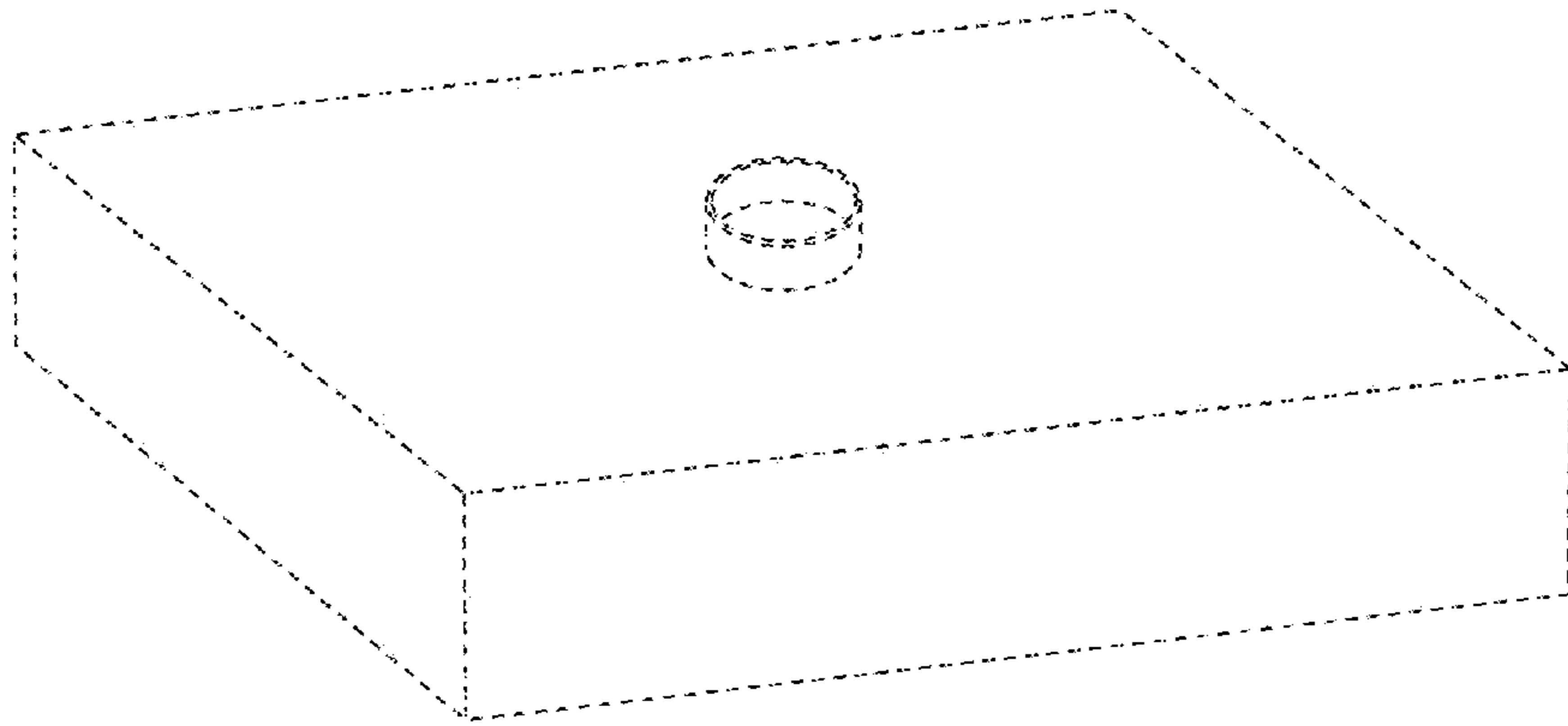


FIG. 2

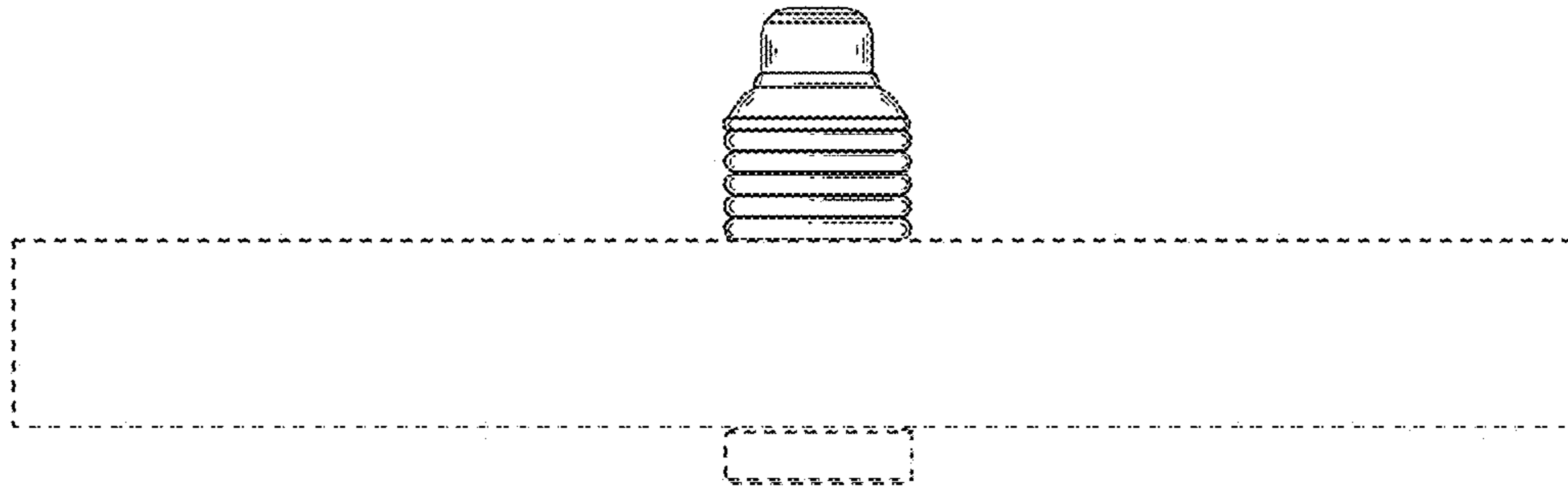


FIG. 3

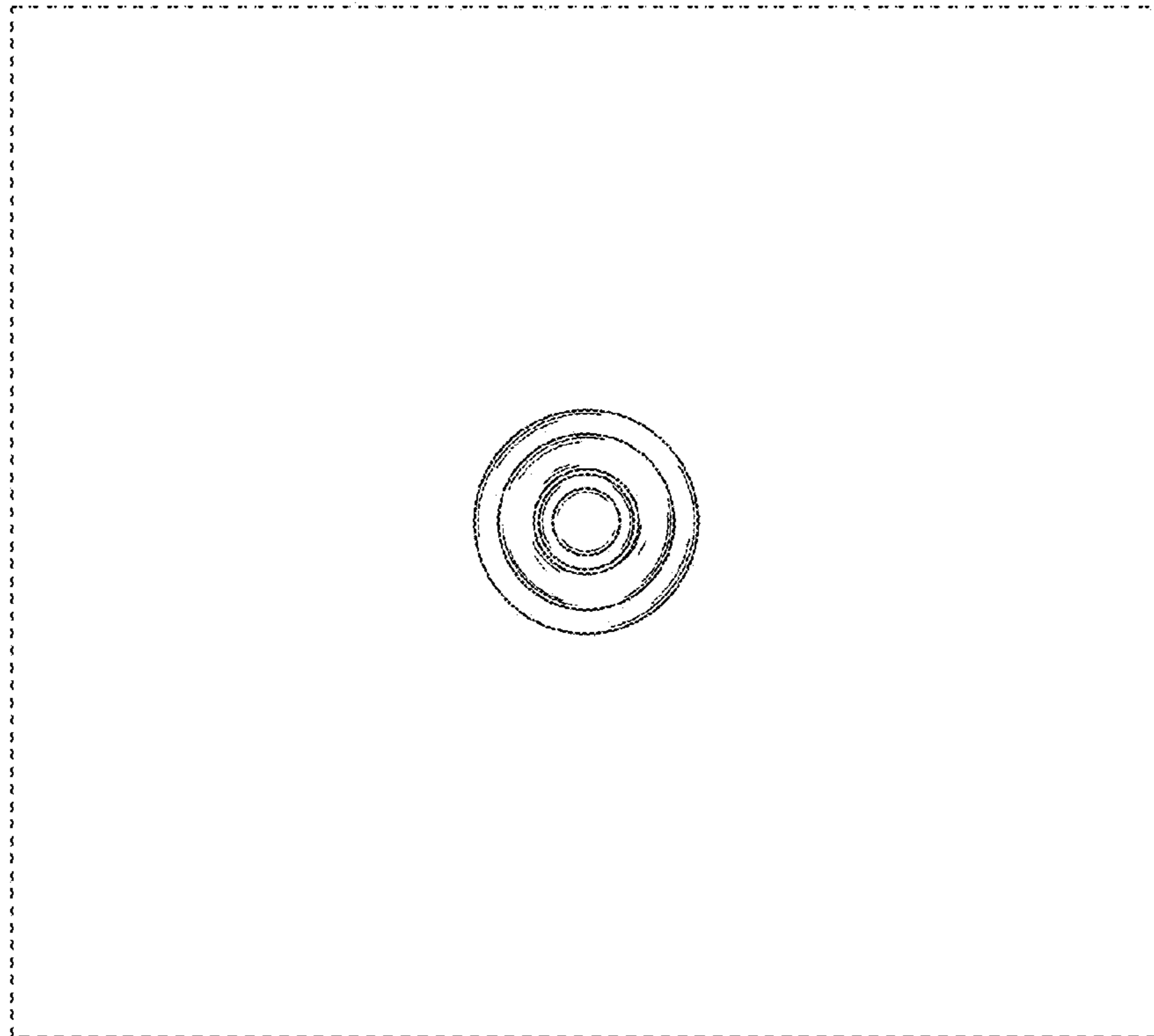


FIG. 4

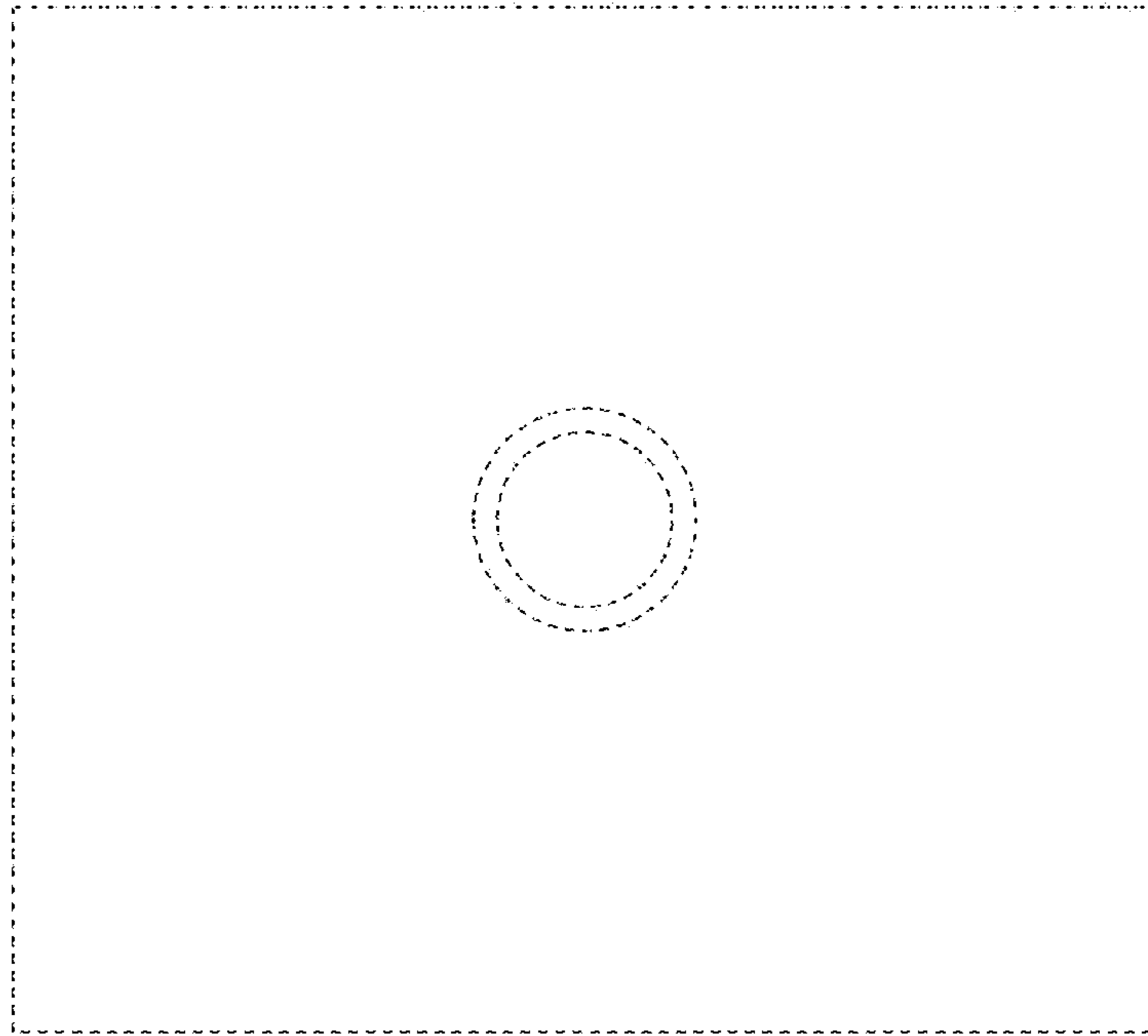


FIG. 5