



US00D708936S

(12) **United States Design Patent**
Bridgewater et al.

(10) **Patent No.:** **US D708,936 S**
(45) **Date of Patent:** **** Jul. 15, 2014**

(54) **CLEAT**

(71) Applicant: **GEM Products, Inc.**, Orange Park, FL
(US)

(72) Inventors: **Erle Matthew Bridgewater**, St. Johns,
FL (US); **Jason Samowski**, Jacksonville,
FL (US)

(73) Assignee: **GEM Products, Inc.**, Orange Park, FL
(US)

(**) Term: **14 Years**

(21) Appl. No.: **29/433,365**

(22) Filed: **Sep. 28, 2012**

(51) **LOC (10) Cl.** **08-05**

(52) **U.S. Cl.**
USPC **D8/382**; D8/356

(58) **Field of Classification Search**
USPC D8/356, 358, 367, 370, 373, 382;
D6/313, 323, 500; 248/588.1, 601;
114/218; 296/36; 410/11, 23; D12/317,
D12/223, 406, 414
See application file for complete search history.

(56) **References Cited**

U.S. PATENT DOCUMENTS

D175,473 S * 8/1955 Leichter D8/317
D316,664 S * 5/1991 Tull D8/356

5,983,820 A * 11/1999 Whitley 114/218
D432,395 S * 10/2000 Whitley D8/356
D495,232 S * 8/2004 Fields D8/317
D511,672 S * 11/2005 Fields D8/317
D512,298 S * 12/2005 Fields D8/317
D513,961 S * 1/2006 Fields D8/317
D561,675 S * 2/2008 Czipri D12/317
D642,891 S * 8/2011 Roe et al. D8/317
D693,632 S * 11/2013 Dolvin D7/394

* cited by examiner

Primary Examiner — Robert M Spear

(74) *Attorney, Agent, or Firm* — Seyfarth Shaw LLP

(57) **CLAIM**

The ornamental design for a cleat, as shown and described.

DESCRIPTION

FIG. 1 is a top perspective view of a cleat;
FIG. 2 is a bottom perspective view thereof;
FIG. 3 is a front view thereof;
FIG. 4 is a top view thereof;
FIG. 5 is a right-side view thereof; and,
FIG. 6 is a bottom view thereof.
The rear view would be identical to the front view, and the
left-side view would be identical to the right-side view.
Accordingly, the rear and left-side views are omitted from the
drawings, but would be duplicates of FIGS. 3 and 5, respec-
tively.

1 Claim, 2 Drawing Sheets

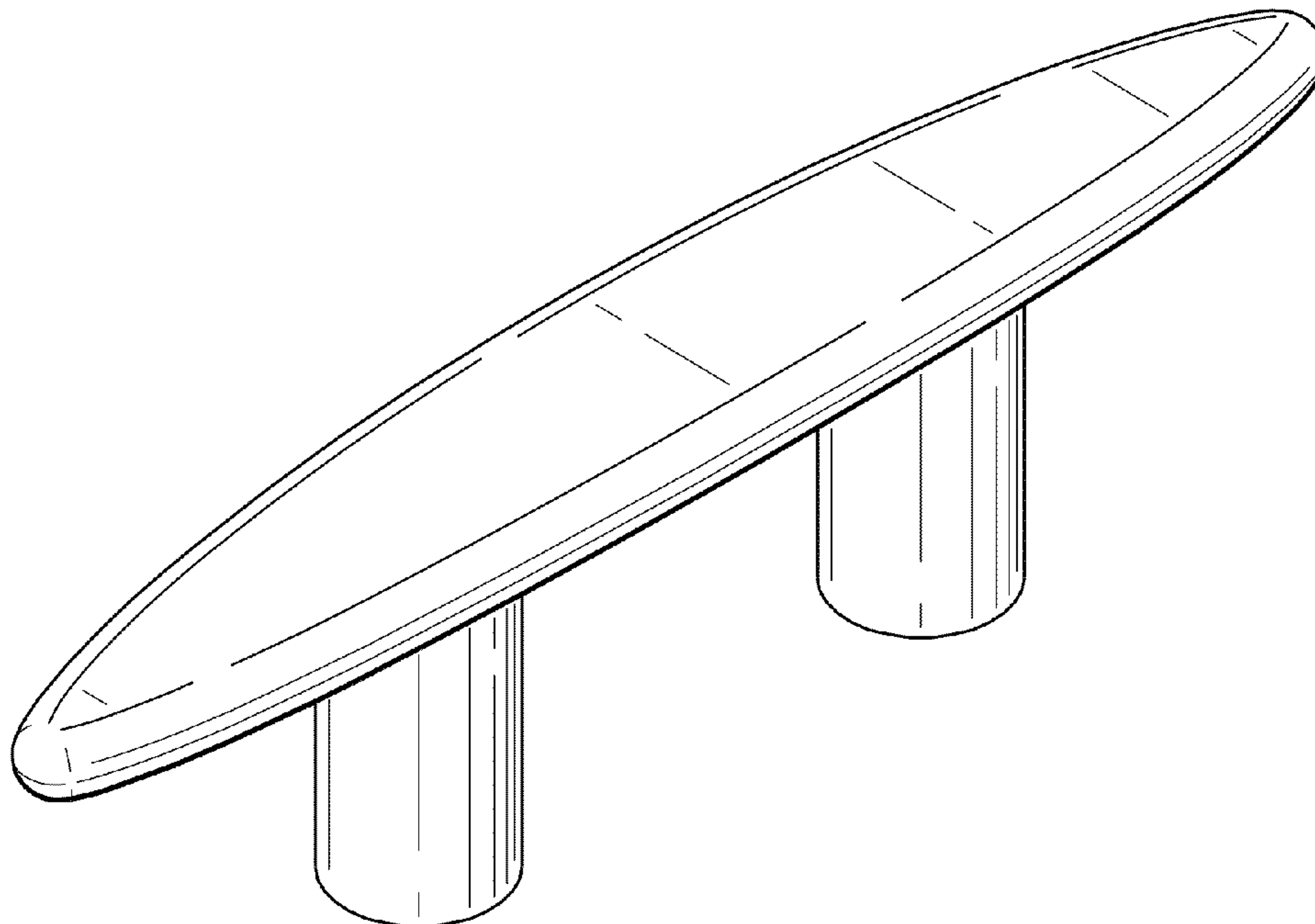


Fig. 1

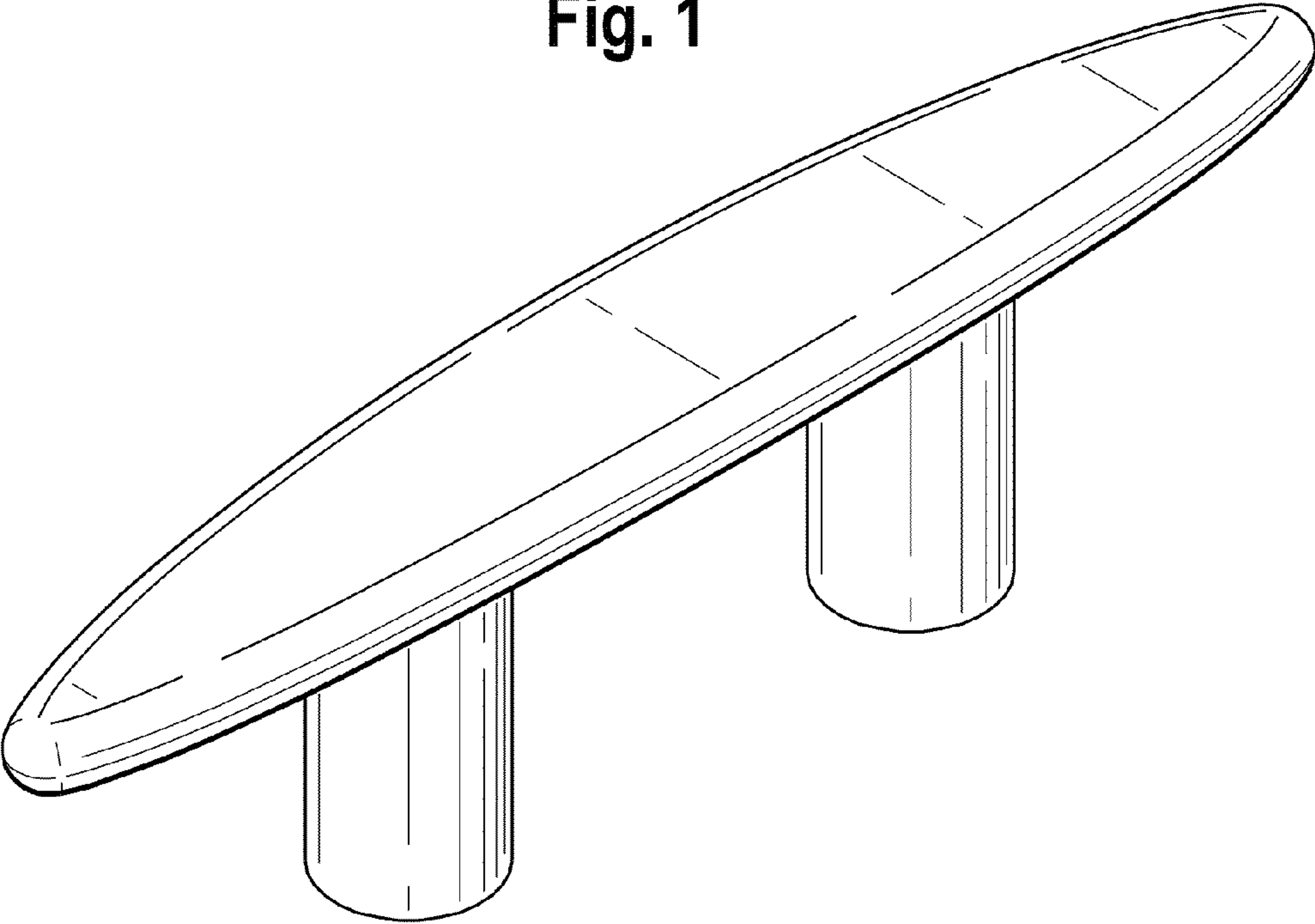


Fig. 2

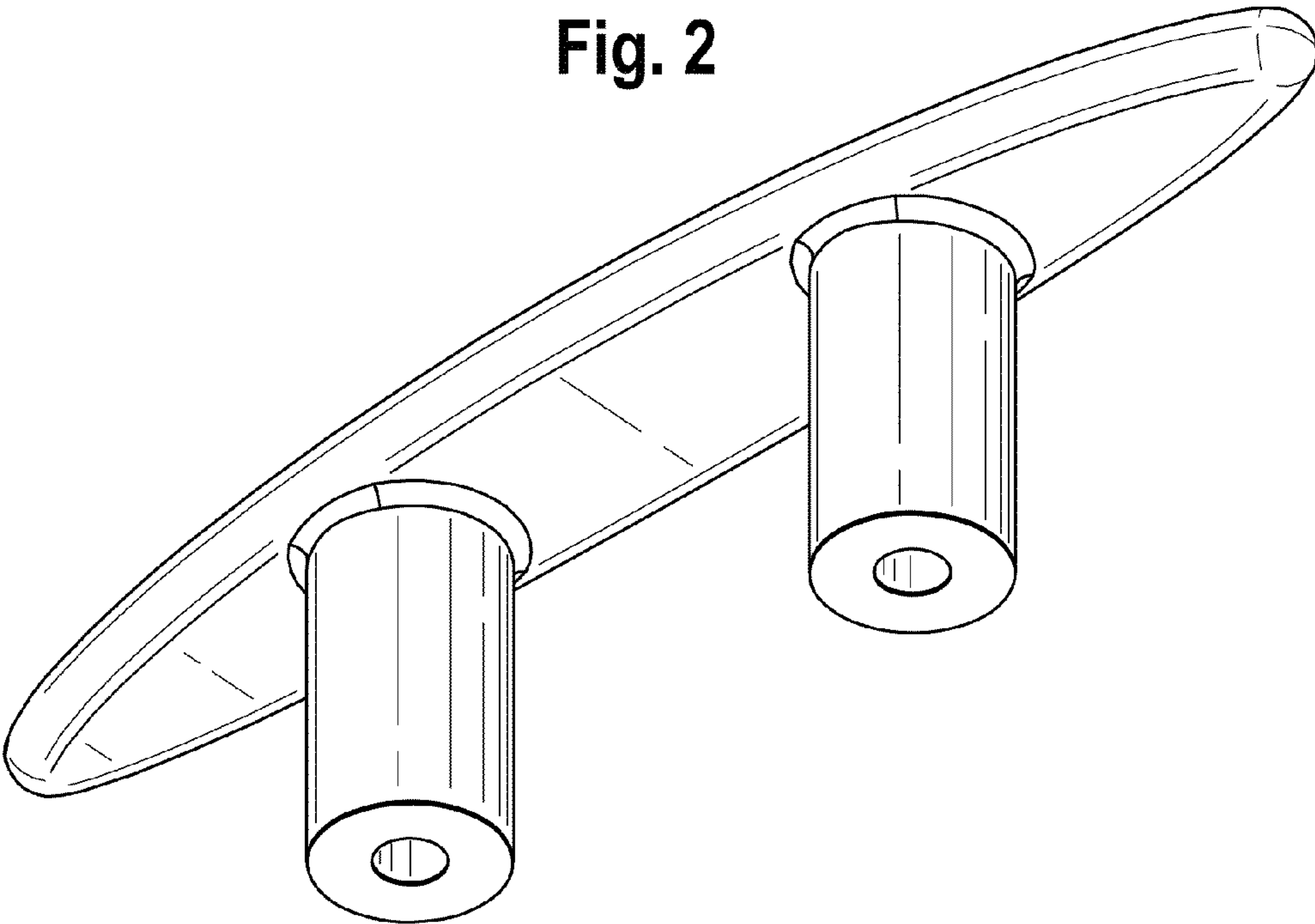


Fig. 3

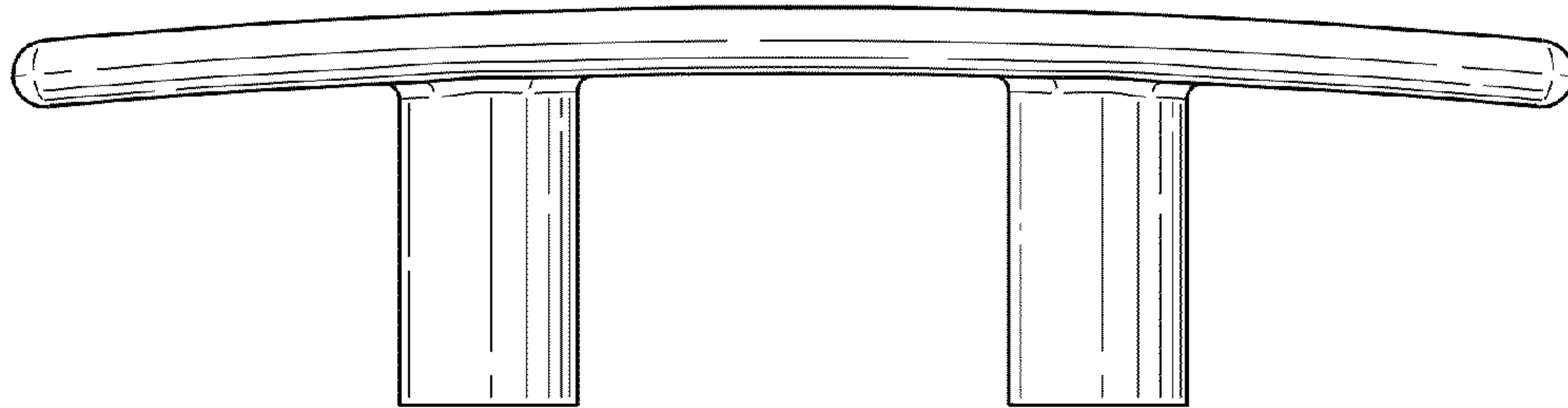


Fig. 4

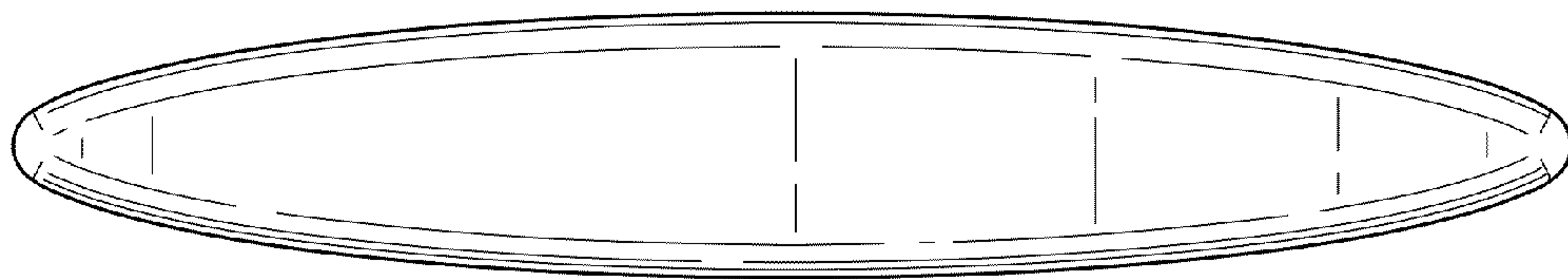


Fig. 5

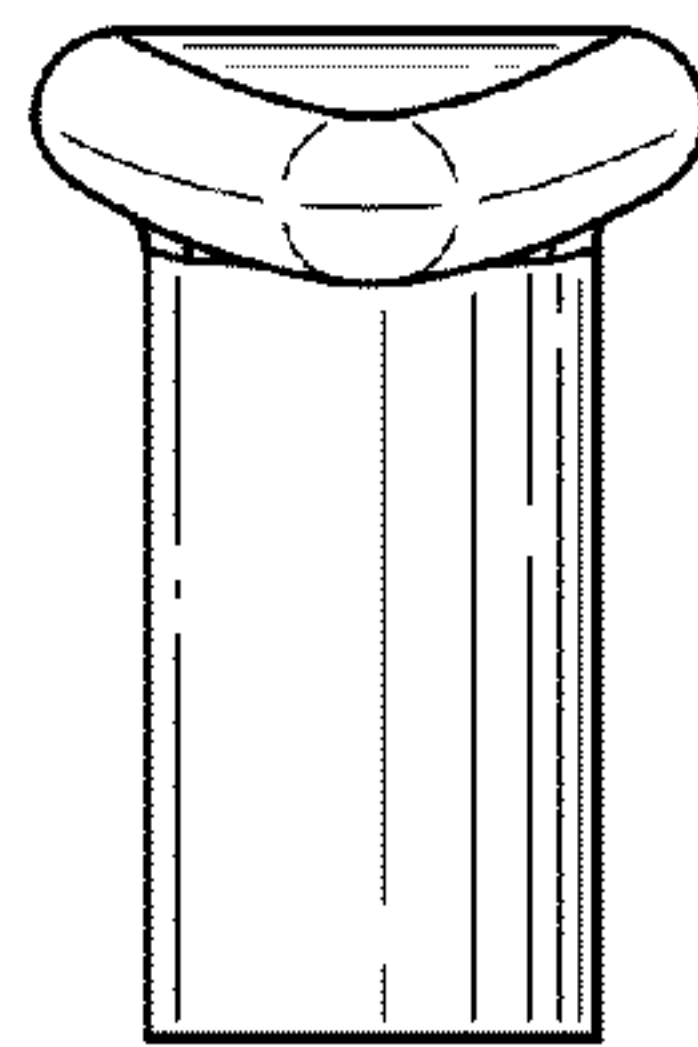


Fig. 6

