



US00D708935S

(12) **United States Design Patent**  
**Kumakawa et al.**

(10) **Patent No.:** **US D708,935 S**  
(45) **Date of Patent:** **\*\* \*Jul. 15, 2014**

(54) **BEAM JOINT HARDWARE**  
(75) Inventors: **Yoshinobu Kumakawa**, Tokyo (JP);  
**Junichi Imai**, Tokyo (JP); **Kunio Kanai**,  
Tokyo (JP); **Masayoshi Nakamura**,  
Tokyo (JP)  
(73) Assignees: **Sumitomo Forestry Co., Ltd.**, Tokyo  
(JP); **Kanai Co., Ltd.**, Tokyo (JP)  
(\* ) Notice: This patent is subject to a terminal dis-  
claimer.  
(\*\*) Term: **14 Years**

(21) Appl. No.: **29/409,832**  
(22) Filed: **Dec. 29, 2011**

(30) **Foreign Application Priority Data**  
Jun. 30, 2011 (JP) ..... 2011-014954  
(51) **LOC (10) Cl.** ..... **08-08**  
(52) **U.S. Cl.**  
USPC ..... **D8/382**; D25/133  
(58) **Field of Classification Search**  
USPC ..... D8/382, 349, 354, 356; 248/200, 300;  
411/508, 511; D25/133; 52/655.1,  
52/656.9, 633  
See application file for complete search history.

(56) **References Cited**  
U.S. PATENT DOCUMENTS  
3,905,712 A \* 9/1975 McConnell ..... 403/317  
5,412,913 A \* 5/1995 Daniels et al. .... 52/79.13  
D365,749 S \* 1/1996 Pacheco ..... D8/382  
D370,170 S \* 5/1996 Lambourne ..... D8/349  
D375,040 S \* 10/1996 Miyashita ..... D8/382  
5,617,694 A \* 4/1997 Baba ..... 52/712  
D389,251 S \* 1/1998 Kelly ..... D25/133  
5,813,649 A \* 9/1998 Peterson et al. .... 248/618  
D402,185 S \* 12/1998 Heiligenstein et al. .... D8/349  
D422,894 S \* 4/2000 Kubica ..... D8/382  
D446,710 S \* 8/2001 Sterling et al. .... D8/354

D473,957 S \* 4/2003 Ito et al. .... D25/133  
D521,159 S \* 5/2006 Hansort ..... D25/133  
D556,560 S \* 12/2007 Tsuda ..... D8/382  
D616,735 S \* 6/2010 Shaw et al. .... D8/382  
D637,477 S \* 5/2011 Wall ..... D8/382  
D645,335 S \* 9/2011 Herman ..... D8/363  
D659,522 S \* 5/2012 Noturno ..... D8/382  
D673,028 S \* 12/2012 Apestequia Martinez  
et al. .... D8/354  
8,511,033 B2 \* 8/2013 Kumakawa et al. .... 52/656.9  
D689,760 S \* 9/2013 Chen ..... D8/354  
2006/0144006 A1 \* 7/2006 Suzuki et al. .... 52/655.1  
2006/0265992 A1 \* 11/2006 Hiragaki ..... 52/633  
2013/0125497 A1 \* 5/2013 Kumakawa et al. .... 52/655.1

**FOREIGN PATENT DOCUMENTS**

JP 1267230 4/2006  
JP 1267233 4/2006  
JP 1278470 8/2006

\* cited by examiner

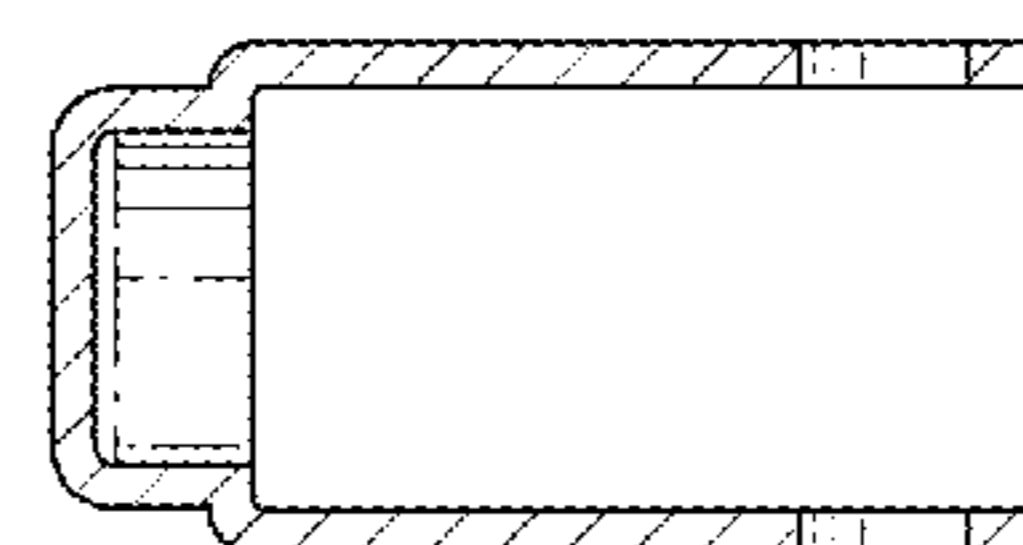
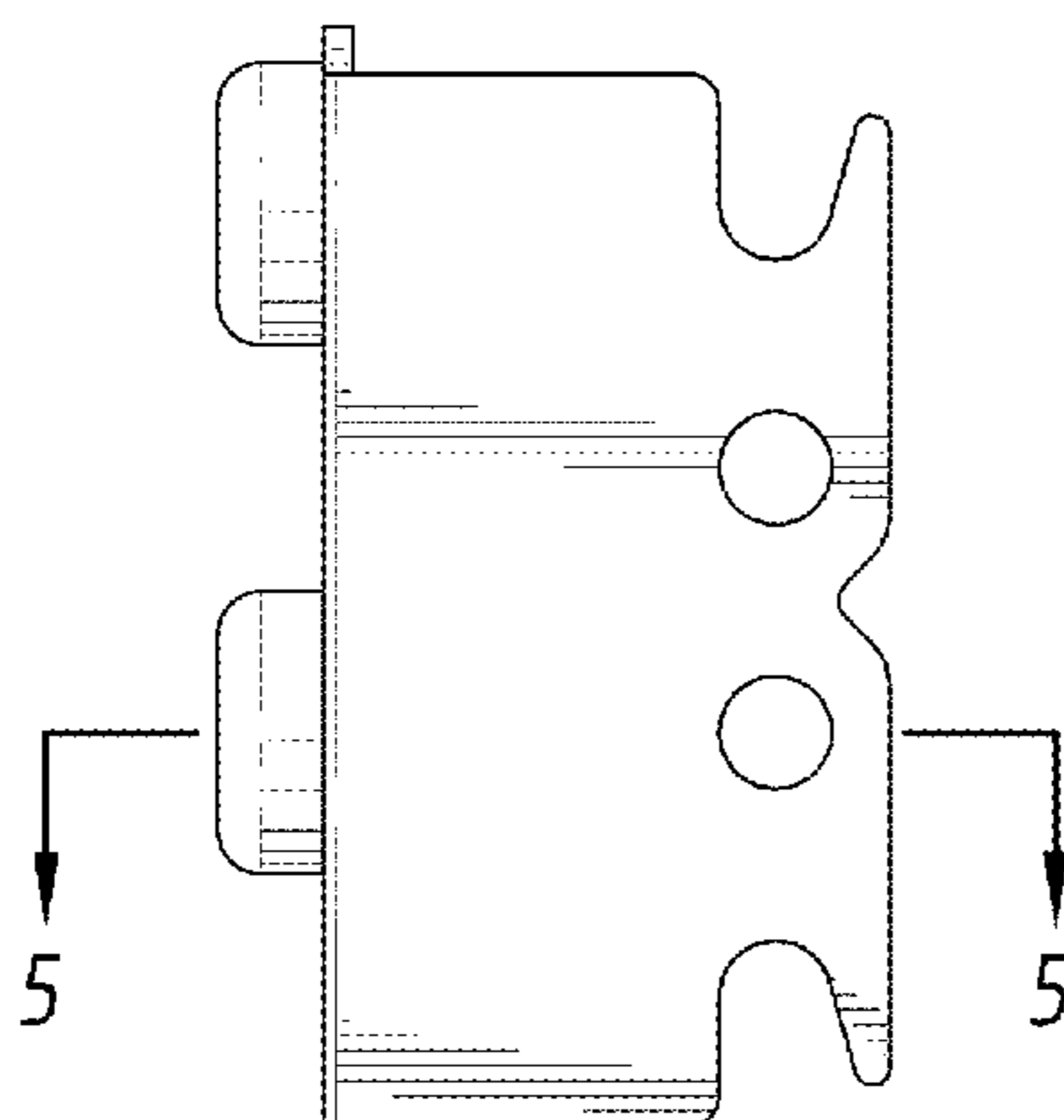
*Primary Examiner* — Sheryl Lane  
(74) *Attorney, Agent, or Firm* — Young & Thompson

(57) **CLAIM**  
The ornamental design for beam joint hardware, as shown and  
described.

**DESCRIPTION**

FIG. 1 is a front elevation view of beam joint hardware show-  
ing the new design;  
FIG. 2 is a left side elevation view thereof;  
FIG. 3 is a right side elevation view thereof;  
FIG. 4 is a top plan view thereof;  
FIG. 5 is a cross-sectional view taken along line 5-5 shown in  
FIG. 1; and,  
FIG. 6 is a front, side, top perspective view of two articles of  
beam joint hardware showing the new design, wherein the  
hardware is shown in its intended use with environmental  
structure.  
FIG. 6 is included for reference purposes only and the envi-  
ronmental structure shown therein forms no part of the  
claimed design.  
The broken lines represent environment and form no part of  
the claimed design.

**1 Claim, 4 Drawing Sheets**



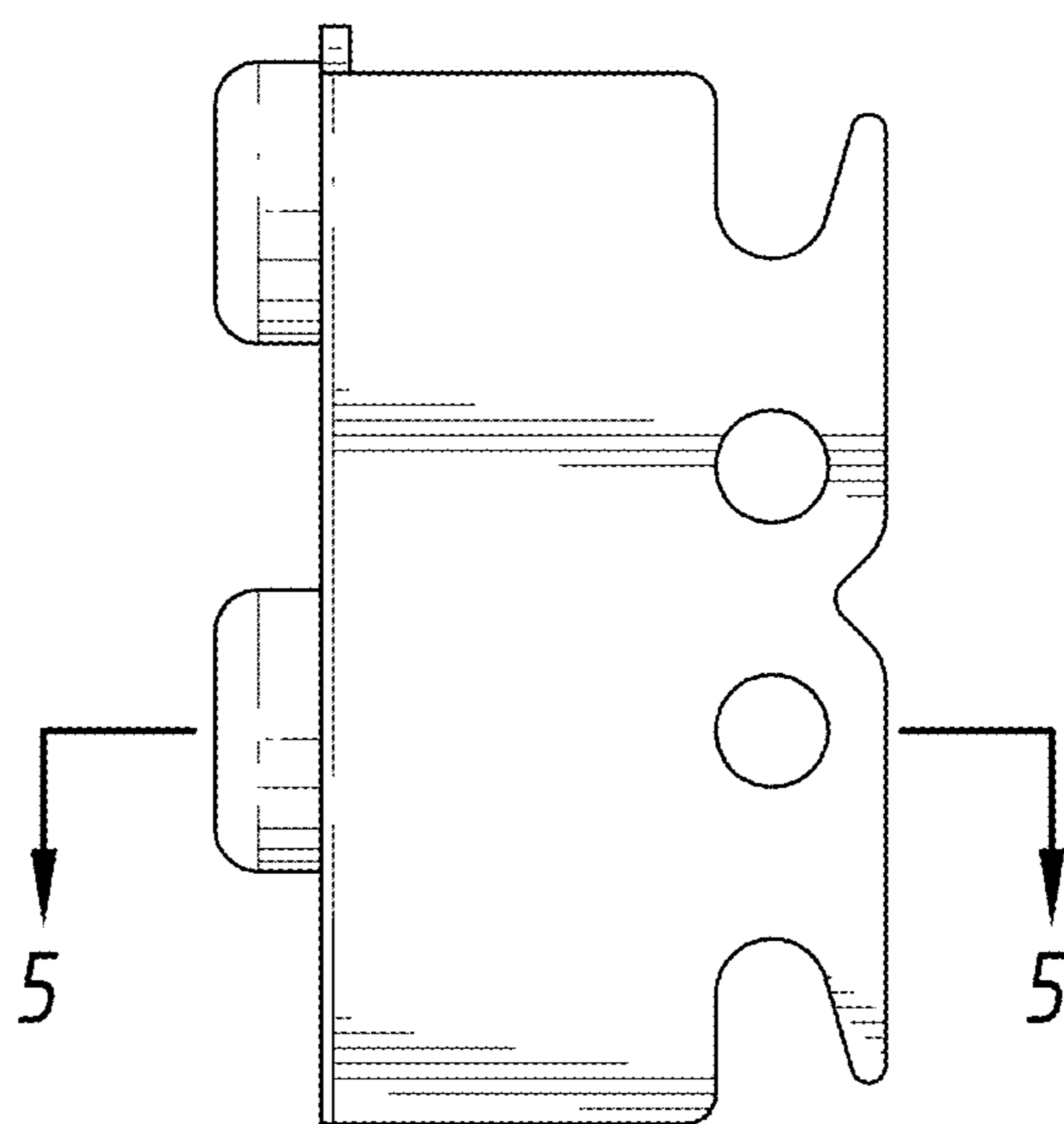
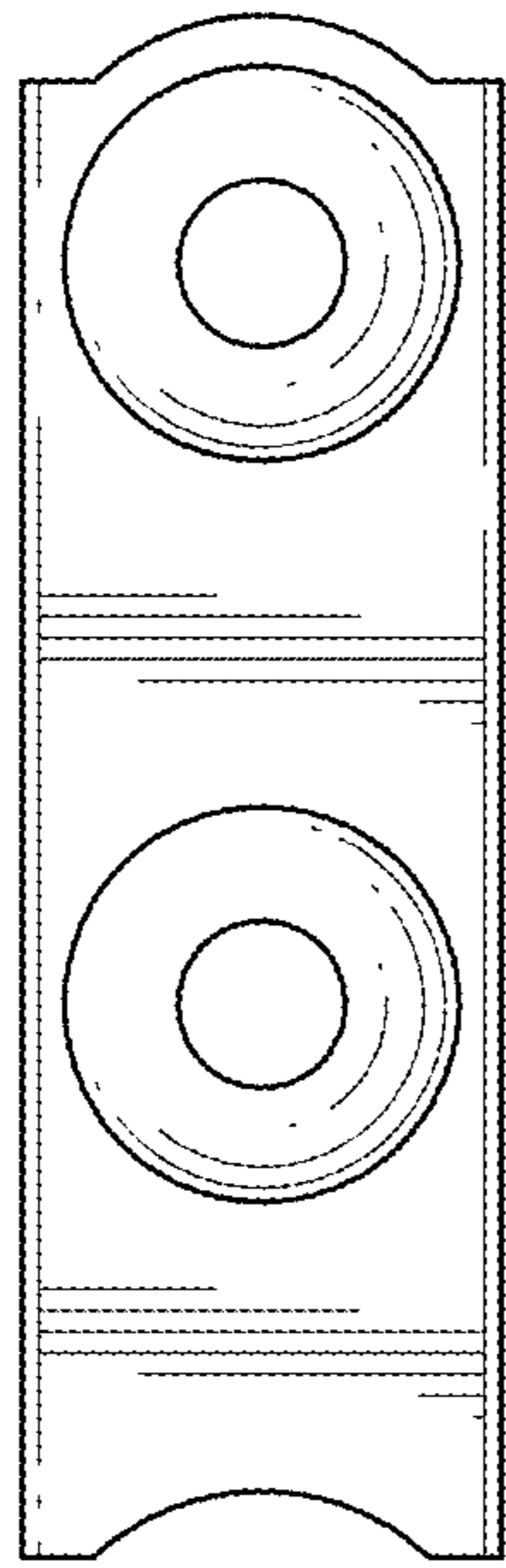
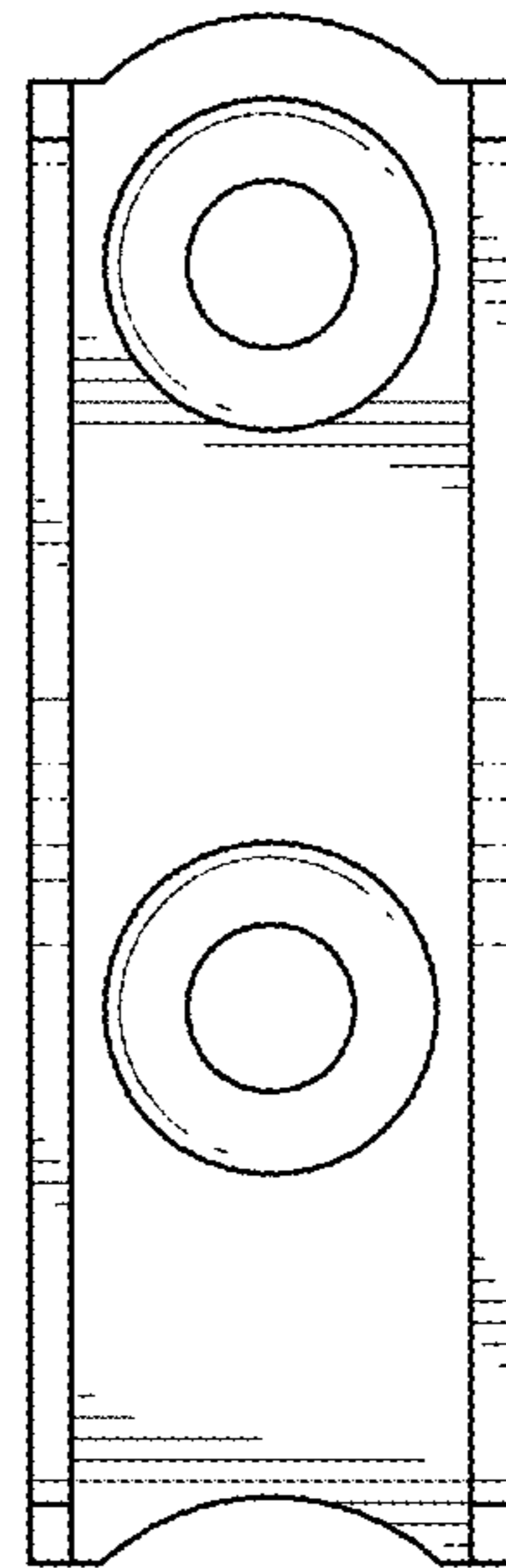


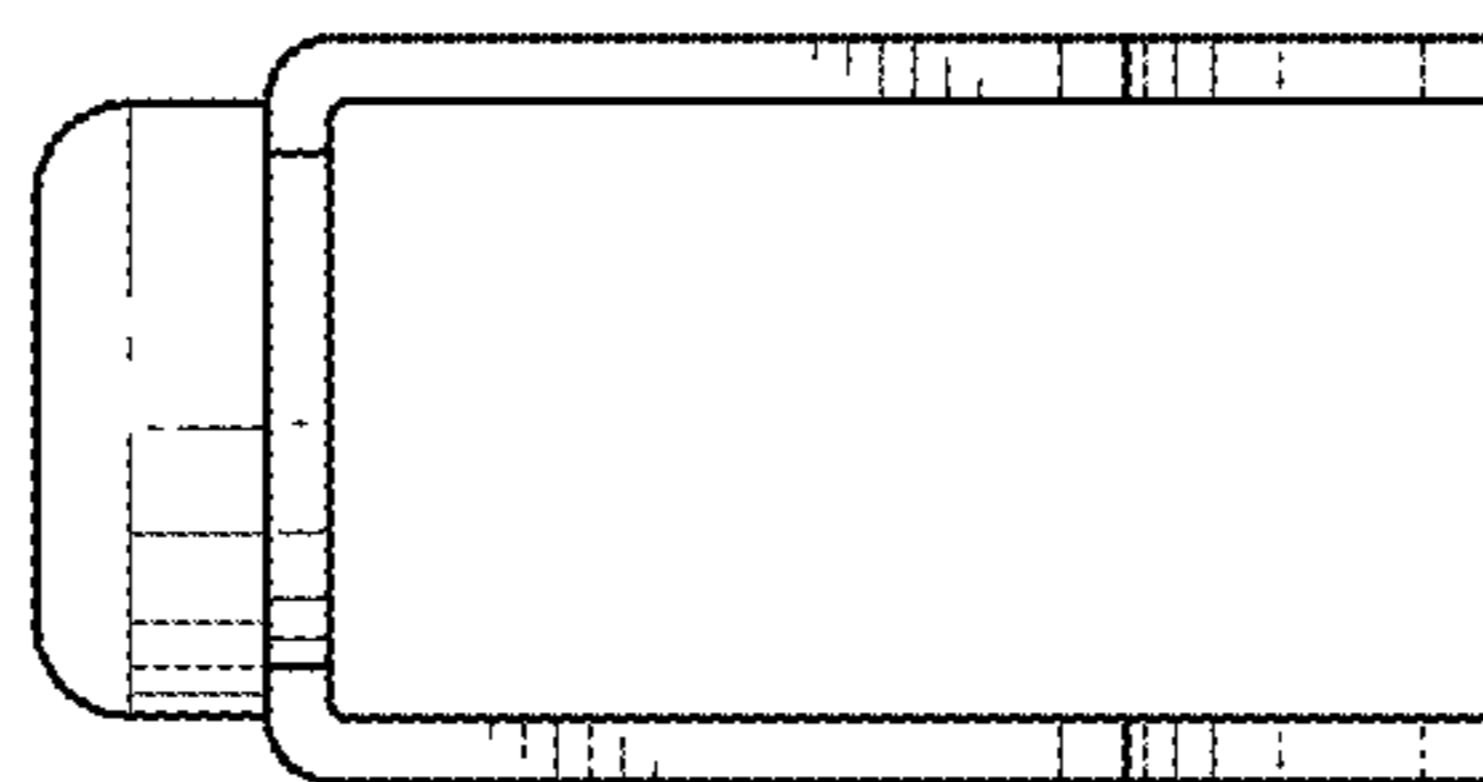
FIG. 1



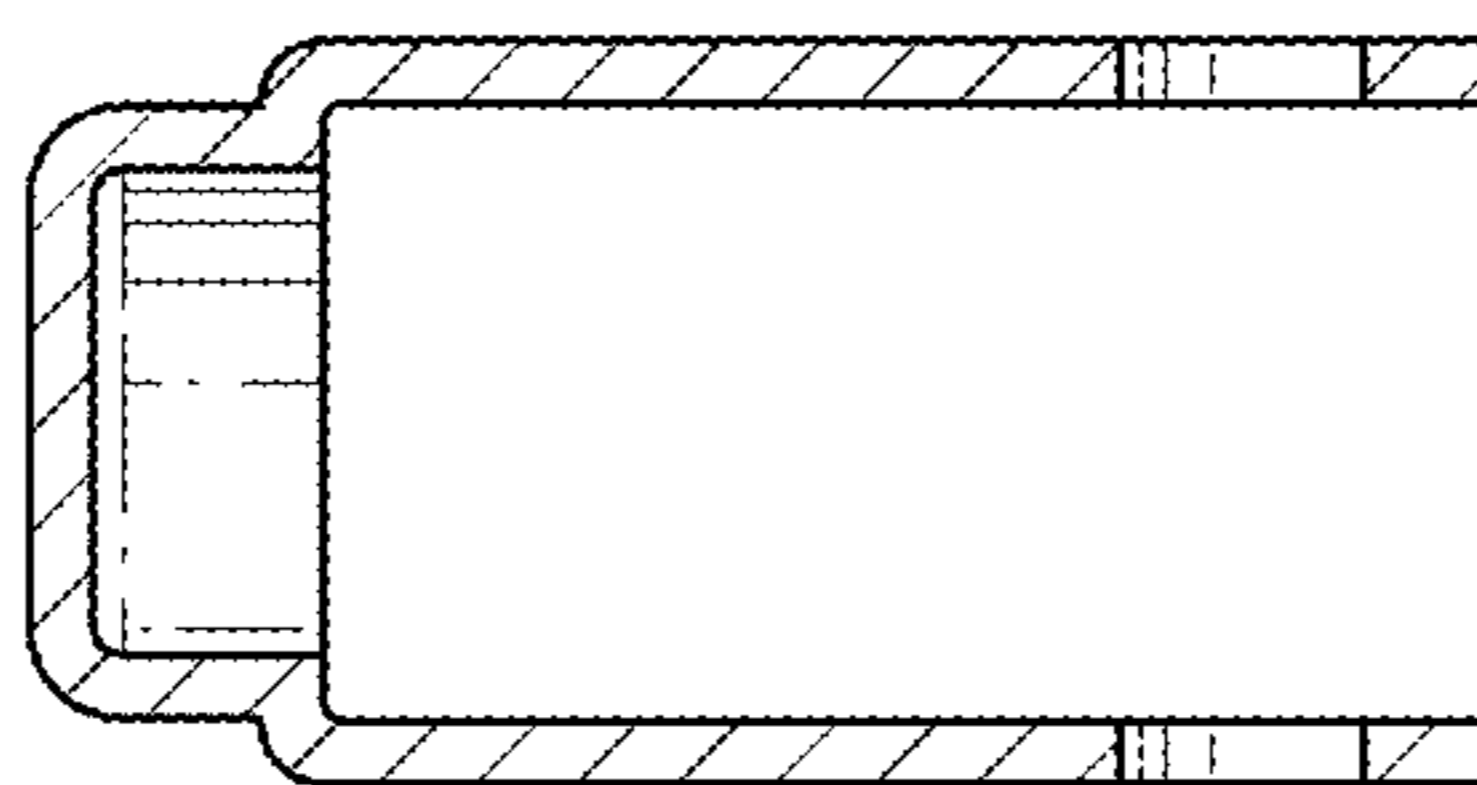
*FIG. 2*



*FIG. 3*



*FIG. 4*



*FIG. 5*

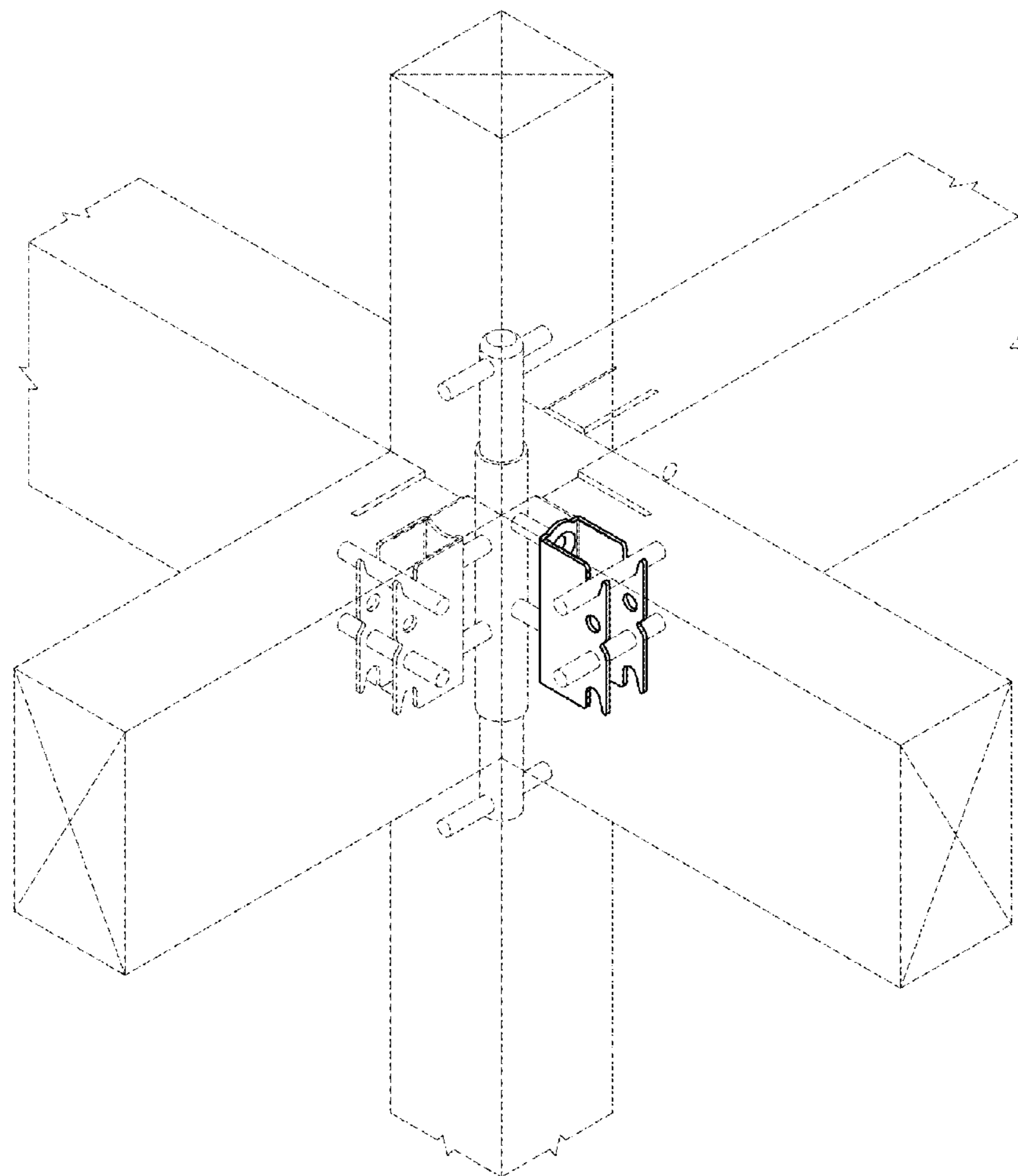


FIG. 6