



US00D708933S

(12) **United States Design Patent**  
**Kats**

(10) **Patent No.:** **US D708,933 S**  
(45) **Date of Patent:** **\*\* Jul. 15, 2014**

(54) **VERTICAL FRAME MEMBER FOR SUPPORTING A CONCENTRATING PHOTOVOLTAIC SYSTEM MODULE**

(71) Applicant: **Mikhail Kats**, Rockaway, NJ (US)

(72) Inventor: **Mikhail Kats**, Rockaway, NJ (US)

(73) Assignee: **Suncore Photovoltaics, Inc.**, Irwindale, CA (US)

(\*\*) Term: **14 Years**

(21) Appl. No.: **29/444,608**

(22) Filed: **Jan. 31, 2013**

(51) **LOC (10) Cl.** ..... **08-05**

(52) **U.S. Cl.**  
USPC ..... **D8/381**; D8/380

(58) **Field of Classification Search**  
USPC ..... D8/381, 380; 248/235, 237, 245  
See application file for complete search history.

(56) **References Cited**

**U.S. PATENT DOCUMENTS**

1,066,463	A *	7/1913	Karl	.....	248/235
3,270,997	A *	9/1966	Gethmann	.....	248/235
D347,380	S *	5/1994	Herber	.....	D8/380
5,503,358	A *	4/1996	Lapp	.....	248/235
D437,546	S *	2/2001	McElroy, Jr.	.....	D8/380
D548,064	S *	8/2007	Norton	.....	D8/380

D548,065 S \* 8/2007 Zhu et al. .... D8/380

\* cited by examiner

*Primary Examiner* — Holly Baynham

(74) *Attorney, Agent, or Firm* — Mueting, Raasch & Gebhardt, P.A.

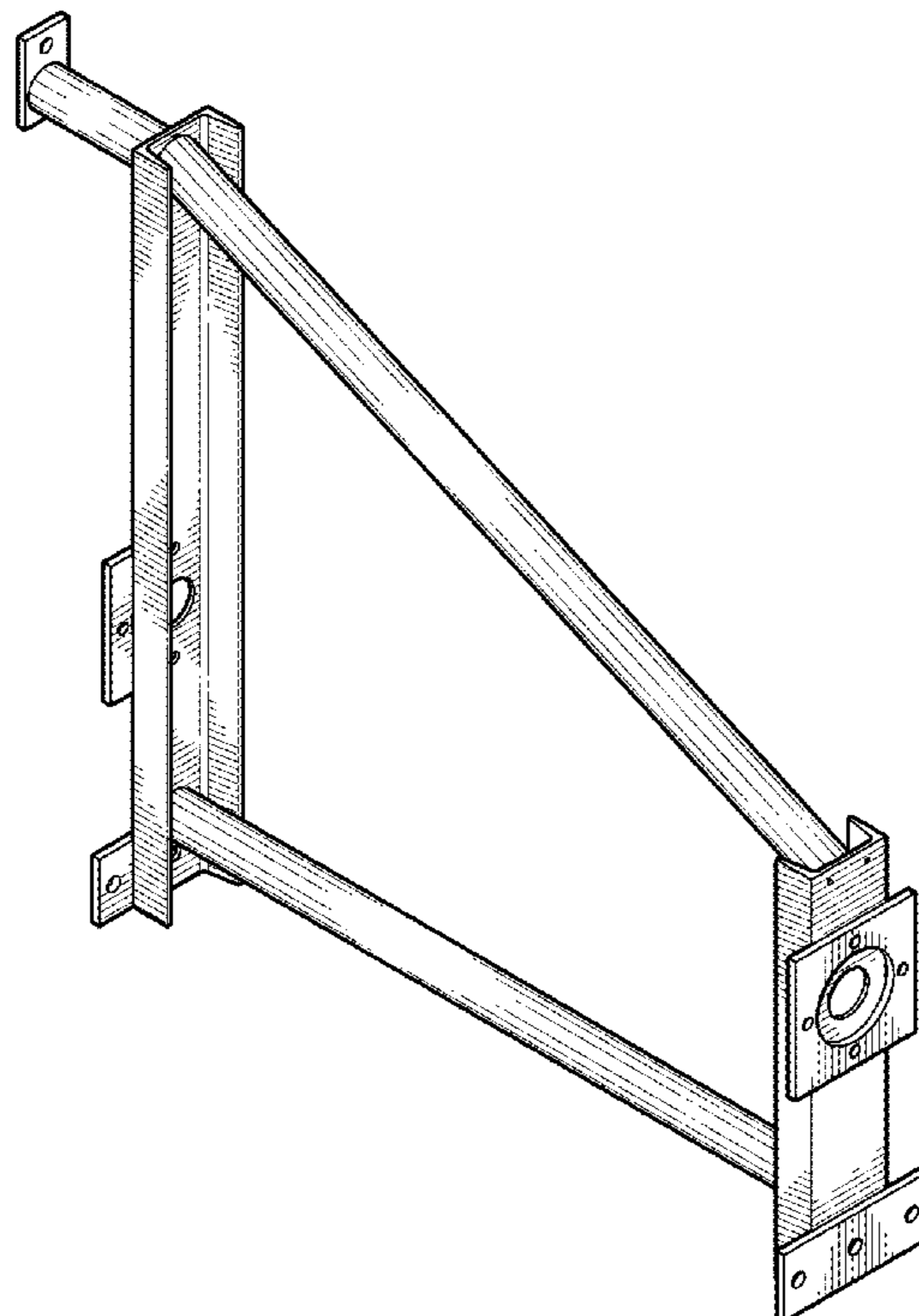
(57) **CLAIM**

The ornamental design for a vertical frame member for supporting a concentrating photovoltaic system module, as shown and described.

**DESCRIPTION**

FIG. 1 is a top perspective view of an exemplary vertical frame member for supporting a concentrating photovoltaic system supporting frame;  
FIG. 2 is a front side elevation view of the vertical frame member of FIG. 1;  
FIG. 3 is a rear side elevation view of the vertical frame member of FIG. 1;  
FIG. 4 is a left side elevation view of the vertical frame member of FIG. 1;  
FIG. 5 is a right side elevation view of the vertical frame member of FIG. 1.  
FIG. 6 is a top plan view of the vertical frame member of FIG. 1; and,  
FIG. 7 is a bottom plan view of the vertical frame member of FIG. 1.

**1 Claim, 5 Drawing Sheets**



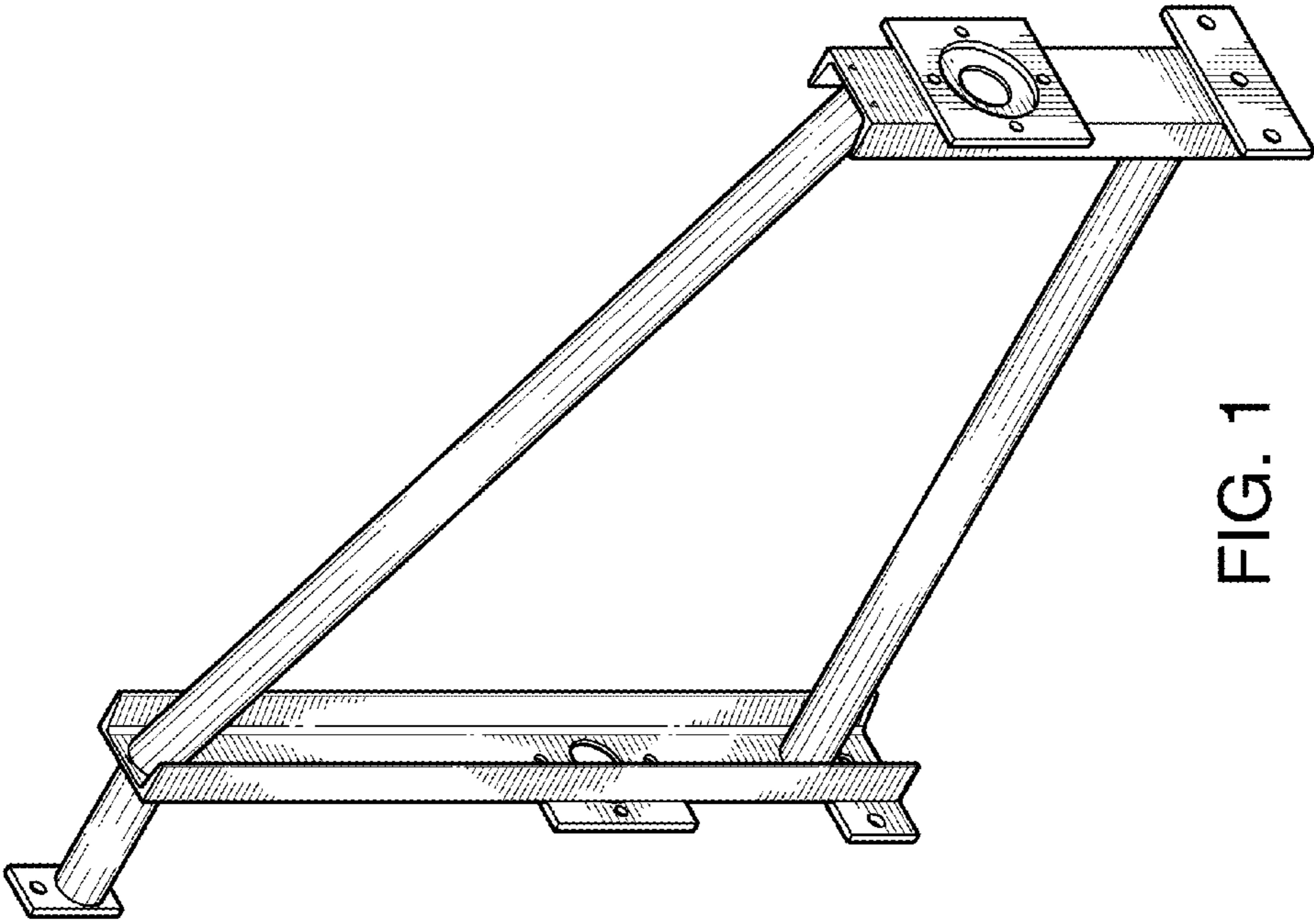


FIG. 1

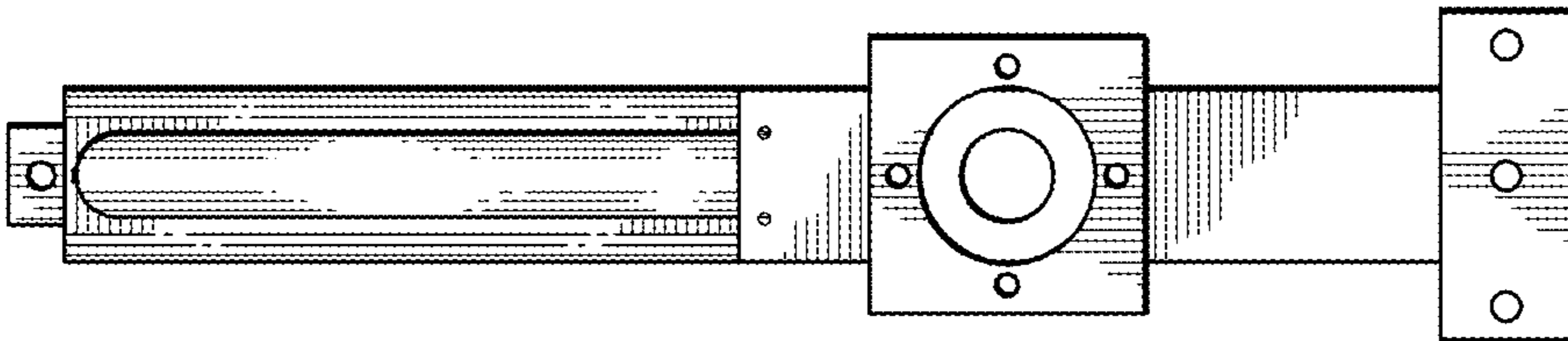


FIG. 3

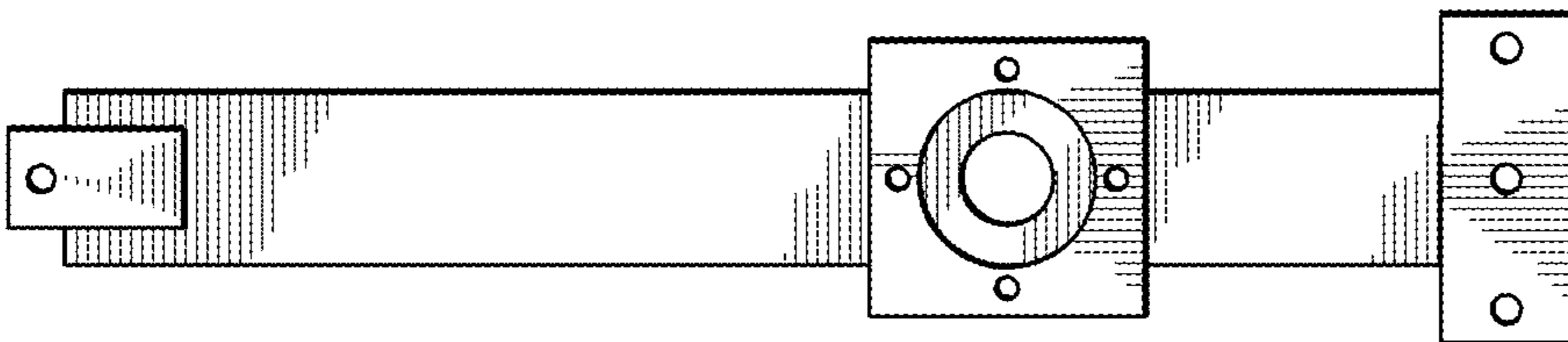


FIG. 2

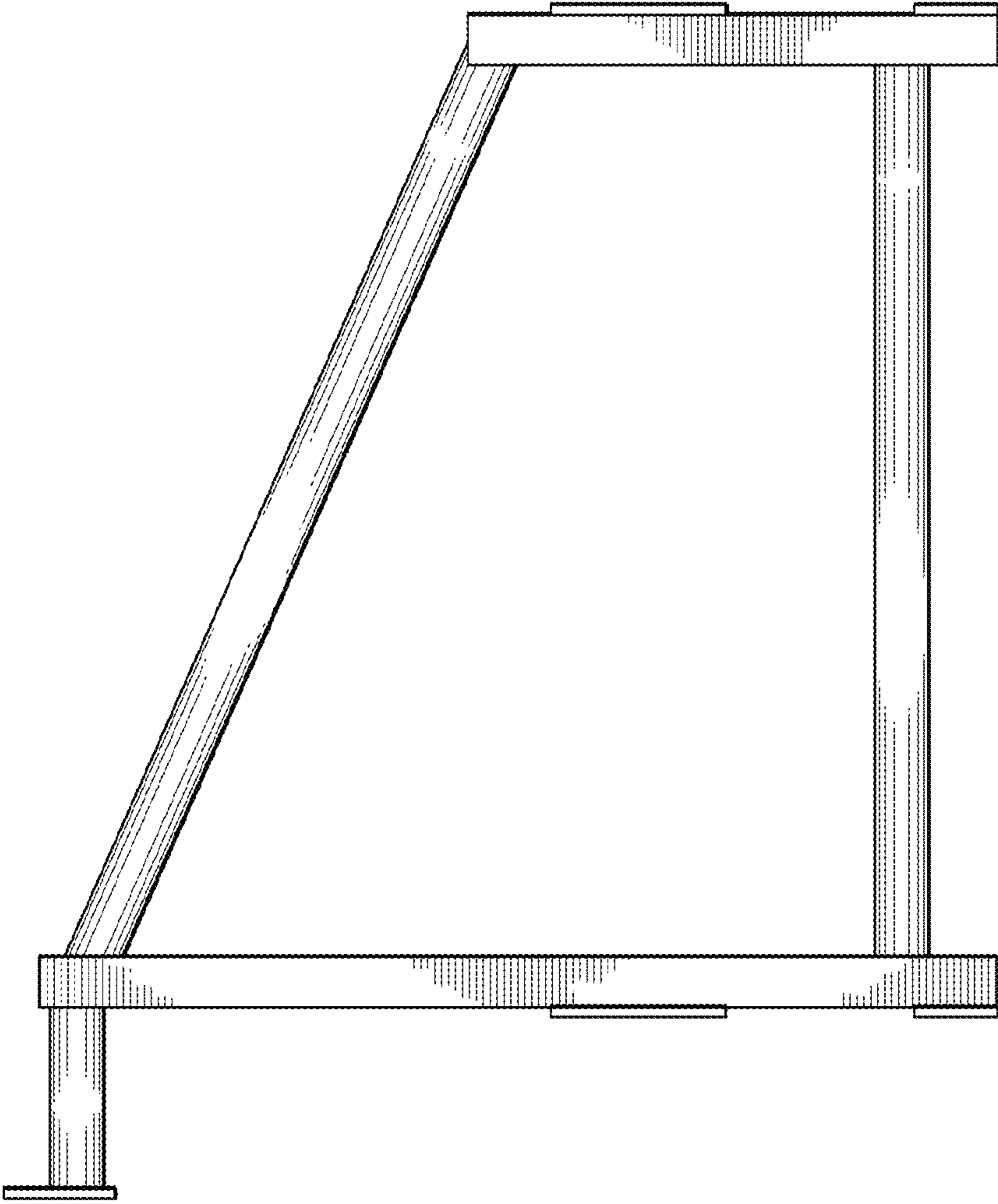


FIG. 4

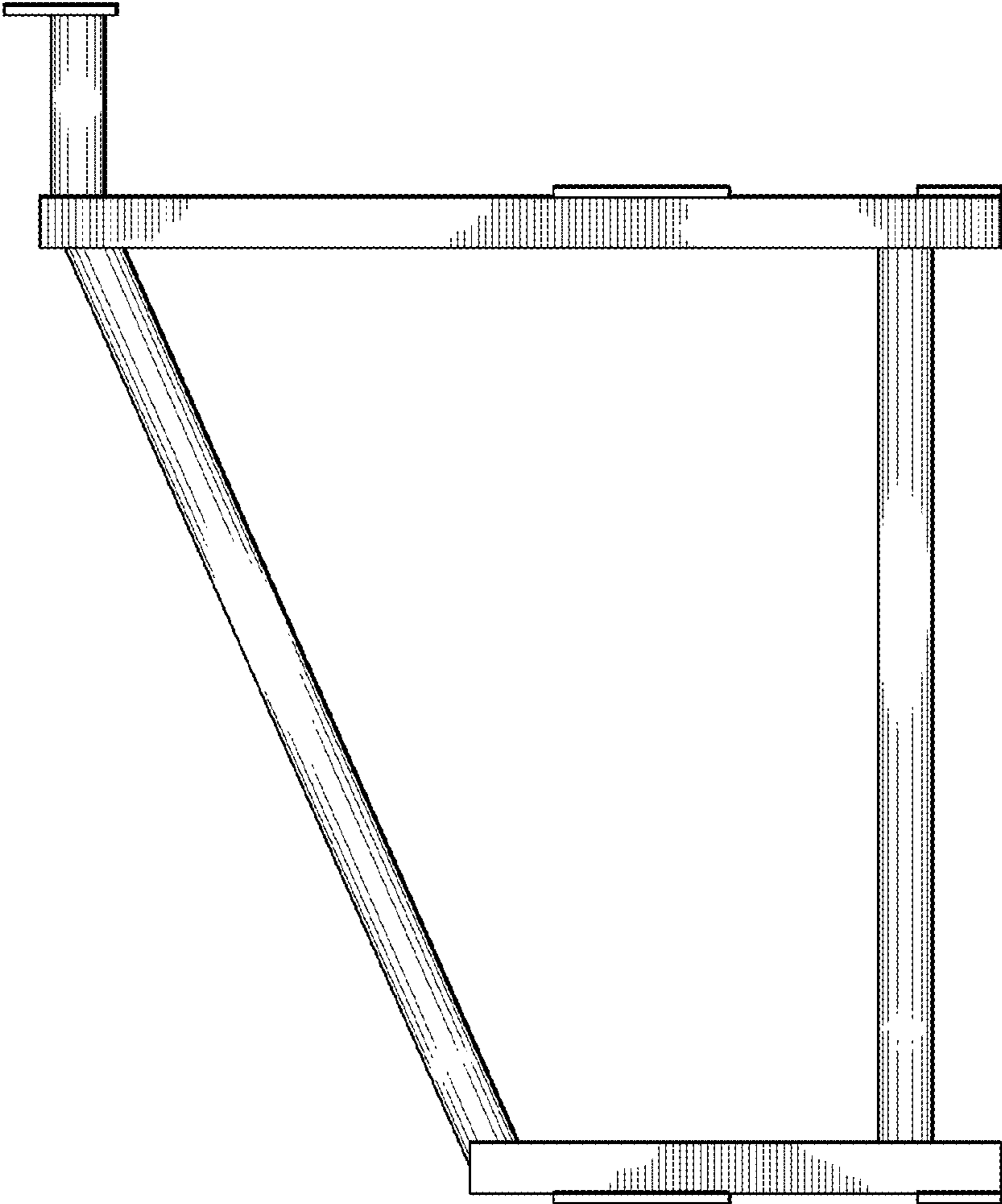


FIG. 5

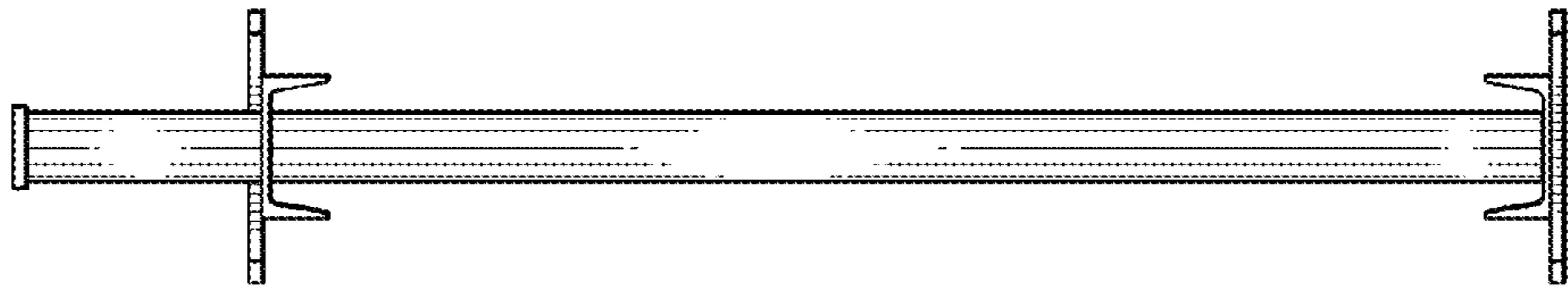


FIG. 7

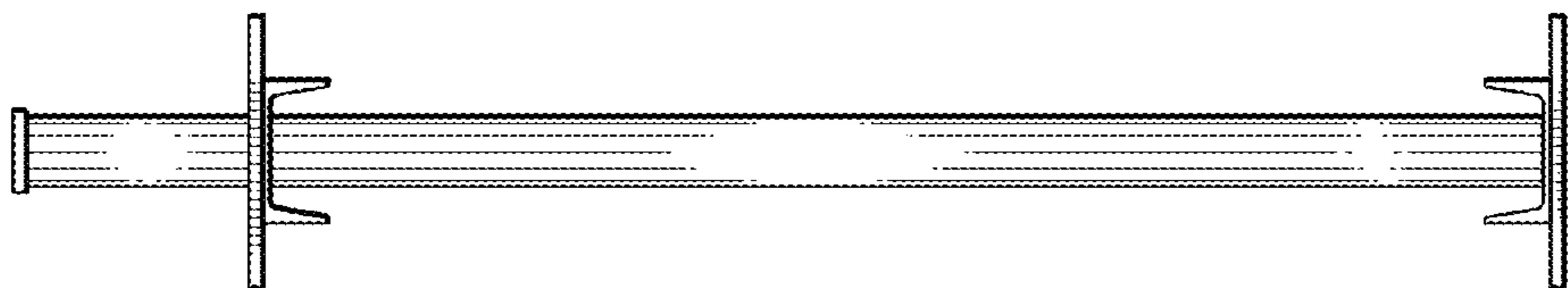


FIG. 6