



US00D708931S

(12) **United States Design Patent**
Petzl

(10) **Patent No.:** **US D708,931 S**
(45) **Date of Patent:** **** Jul. 15, 2014**

(54) **ROPE CLAMP**

(71) Applicant: **Zedel, Crolles (FR)**

(72) Inventor: **Paul Petzl, Barraux (FR)**

(73) Assignee: **Zedel, Crolles (FR)**

(**) Term: **14 Years**

(21) Appl. No.: **29/445,081**

(22) Filed: **Feb. 7, 2013**

(30) **Foreign Application Priority Data**

Aug. 7, 2012 (EP) 002084459

(51) **LOC (10) Cl.** **08-05**

(52) **U.S. Cl.**
USPC **D8/356**

(58) **Field of Classification Search**
USPC D8/356, 354, 349, 330, 331, 383;
439/501; 70/421, 371, 369, 208;
D22/108; D11/216

See application file for complete search history.

(56) **References Cited**

U.S. PATENT DOCUMENTS

D360,530 S * 7/1995 Bobeczko D3/315
D413,786 S * 9/1999 Graham D8/356
D425,783 S * 5/2000 Ishida et al. D8/383

D433,929 S * 11/2000 Petzl D8/383
6,843,346 B2 * 1/2005 LeBeau et al. 182/5
D572,099 S * 7/2008 Fontaine et al. D8/44
D586,001 S * 2/2009 Petzl D25/69
7,500,290 B2 * 3/2009 Klingler 24/115 R
D597,822 S * 8/2009 Olsen D8/356

* cited by examiner

Primary Examiner — Cynthia Underwood
(74) *Attorney, Agent, or Firm* — Oliff PLC

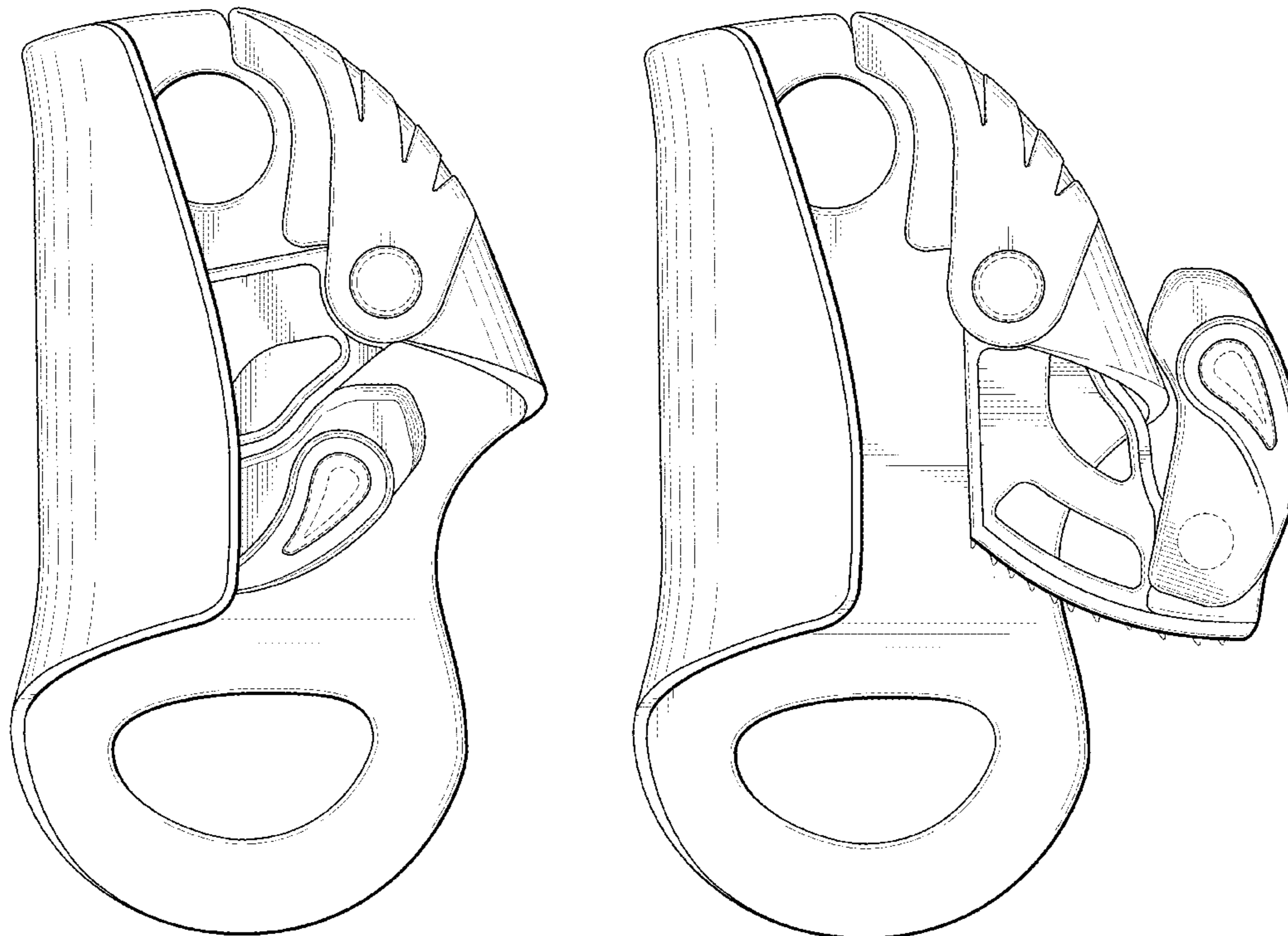
(57) **CLAIM**

The ornamental design for a rope clamp, as shown and described.

DESCRIPTION

FIG. 1 is a front view of a rope clamp;
FIG. 2 is a top view thereof;
FIG. 3 is a right-side view thereof;
FIG. 4 is a left-side view thereof;
FIG. 5 is a rear view thereof;
FIG. 6 is a bottom view thereof;
FIG. 7 is a front view of the rope clamp illustrated in FIG. 1, shown with a portion extended in a position of use;
FIG. 8 is a top view thereof;
FIG. 9 is a right-side view thereof, the left-side view being identical to FIG. 4;
FIG. 10 is a rear view thereof; and,
FIG. 11 is a bottom view thereof.
The broken lines depict unclaimed portions only and form no part of the claimed design.

1 Claim, 11 Drawing Sheets



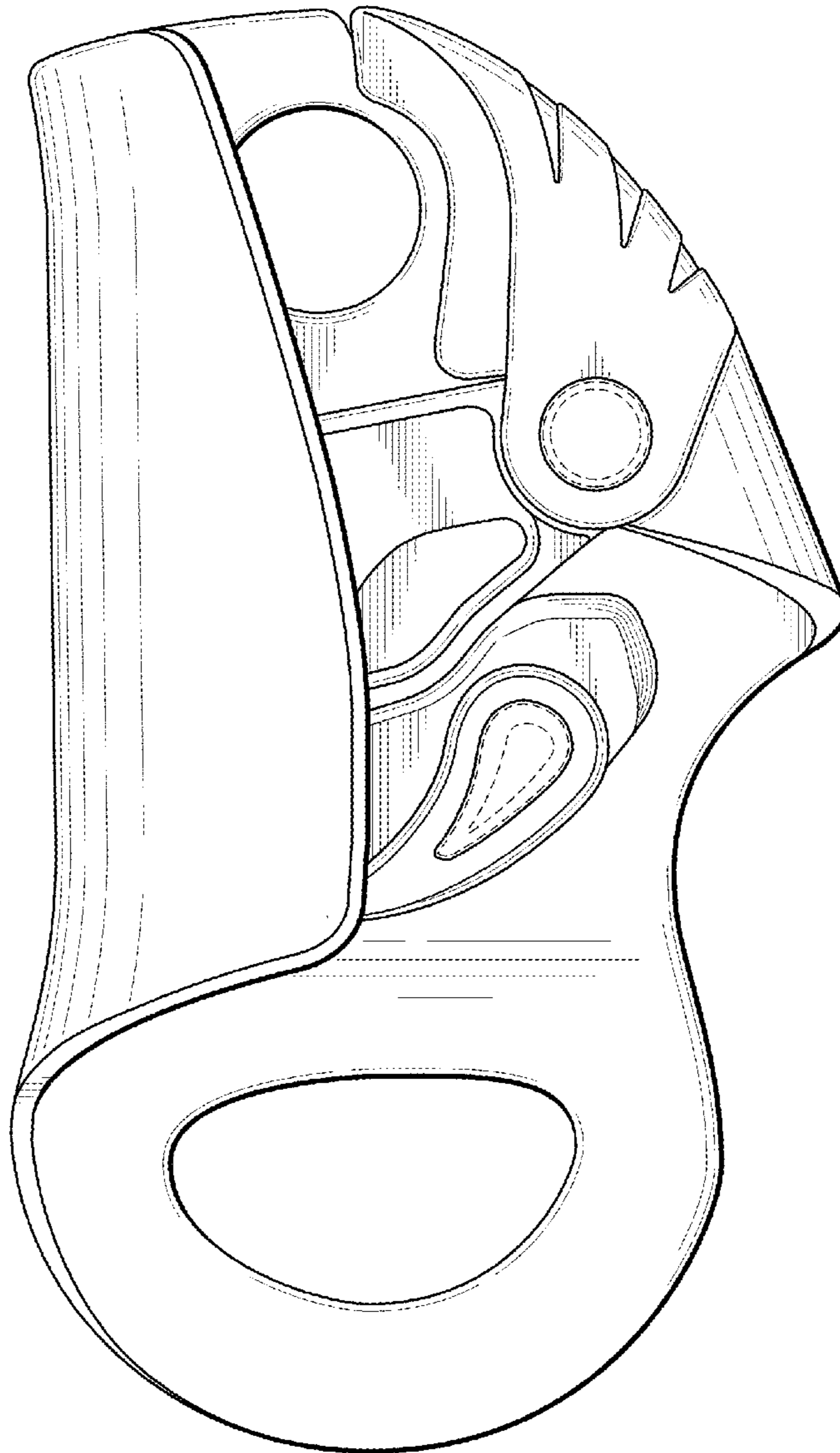


FIG. 1

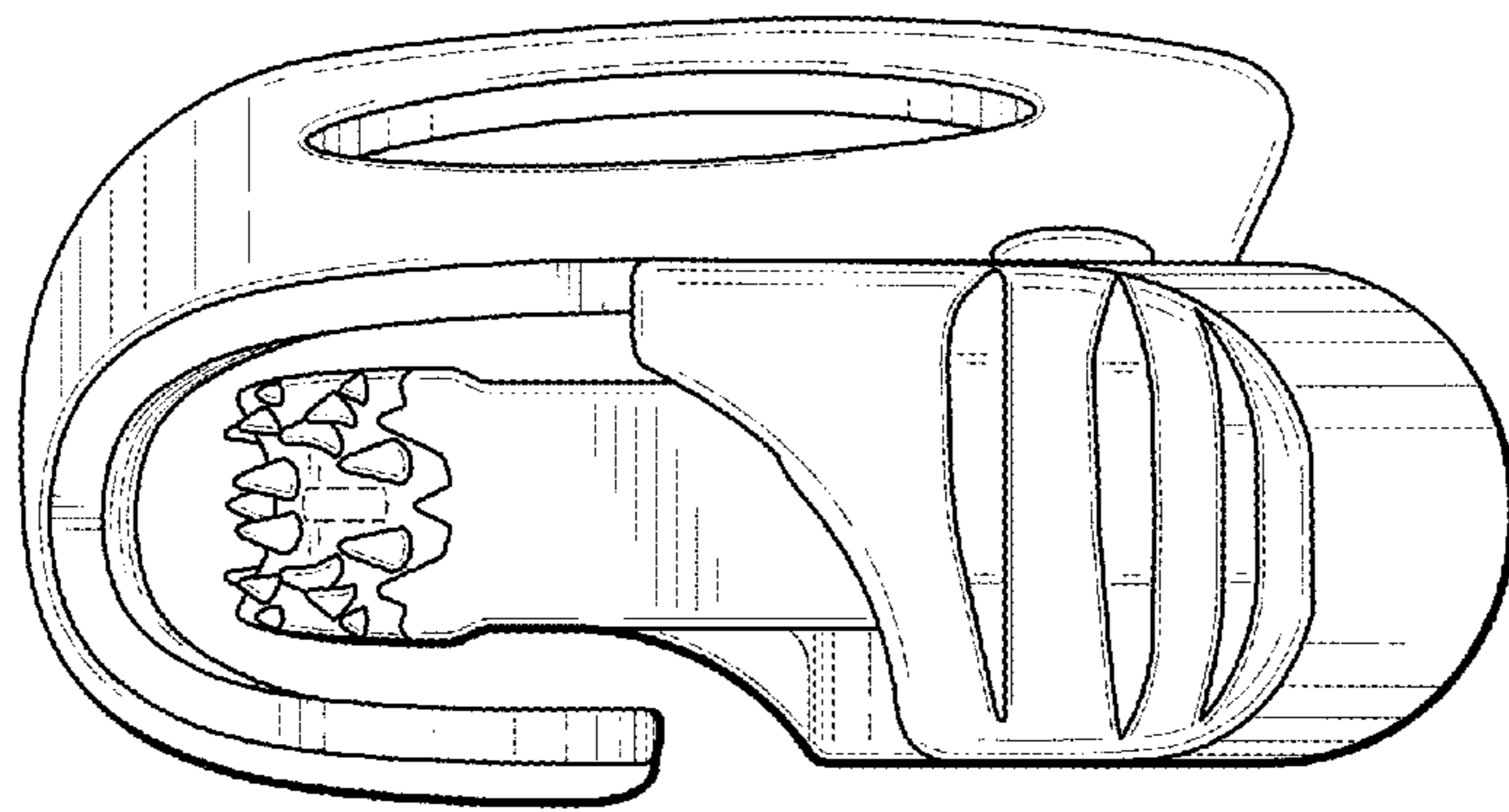


FIG. 2

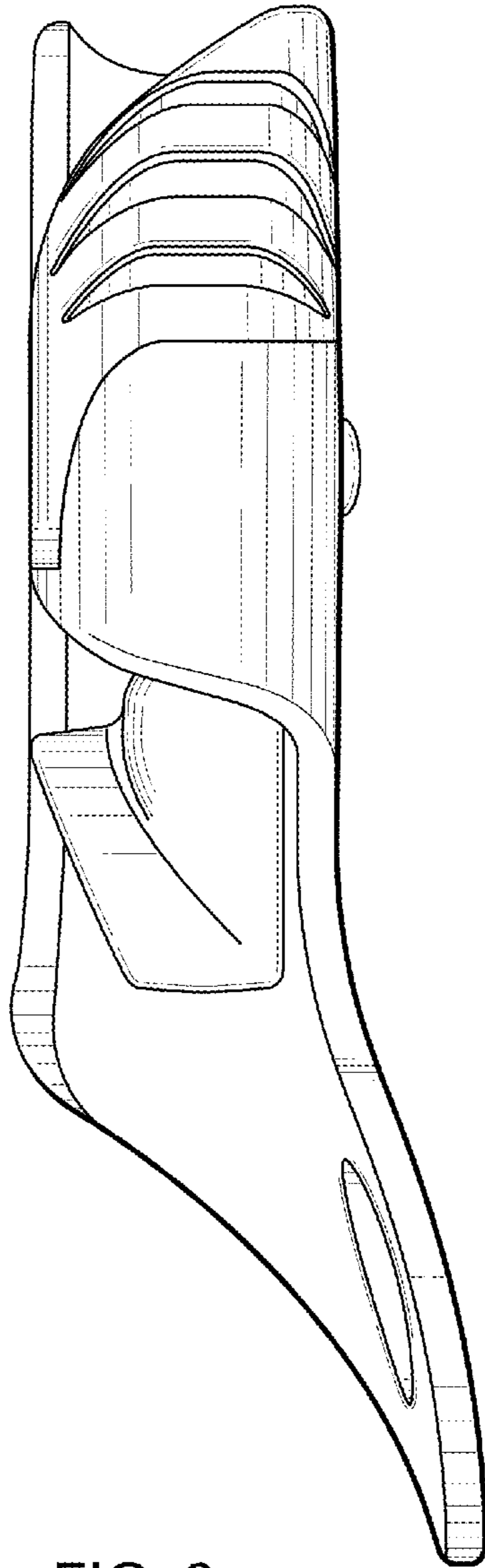


FIG. 3

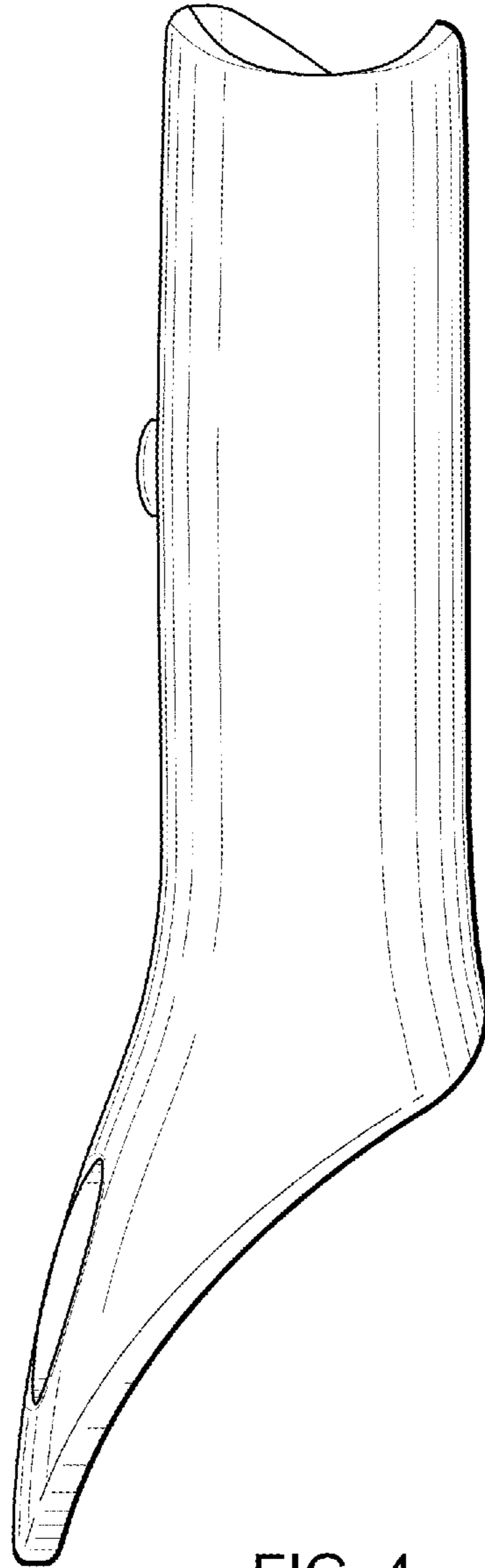


FIG. 4

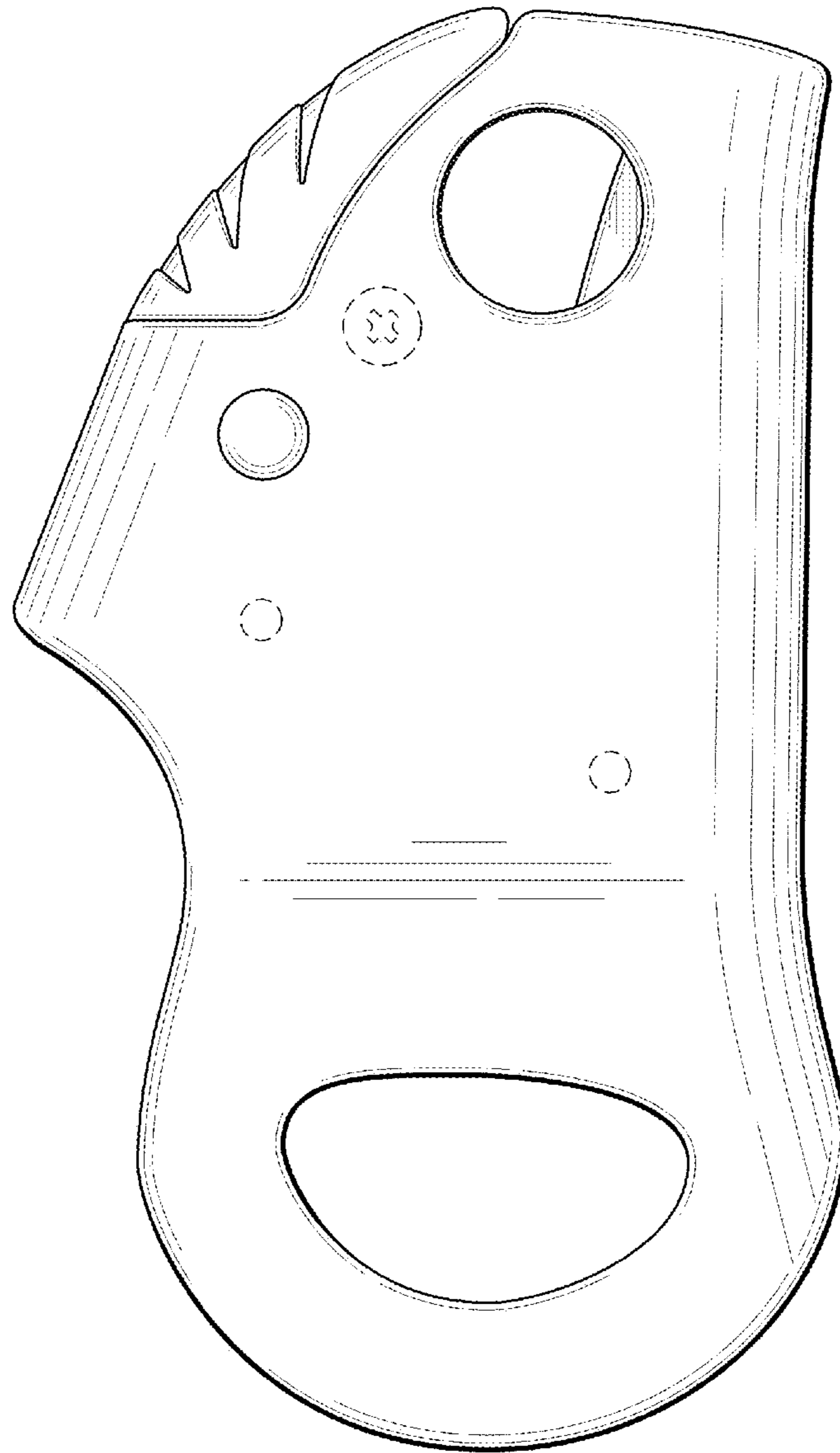


FIG. 5

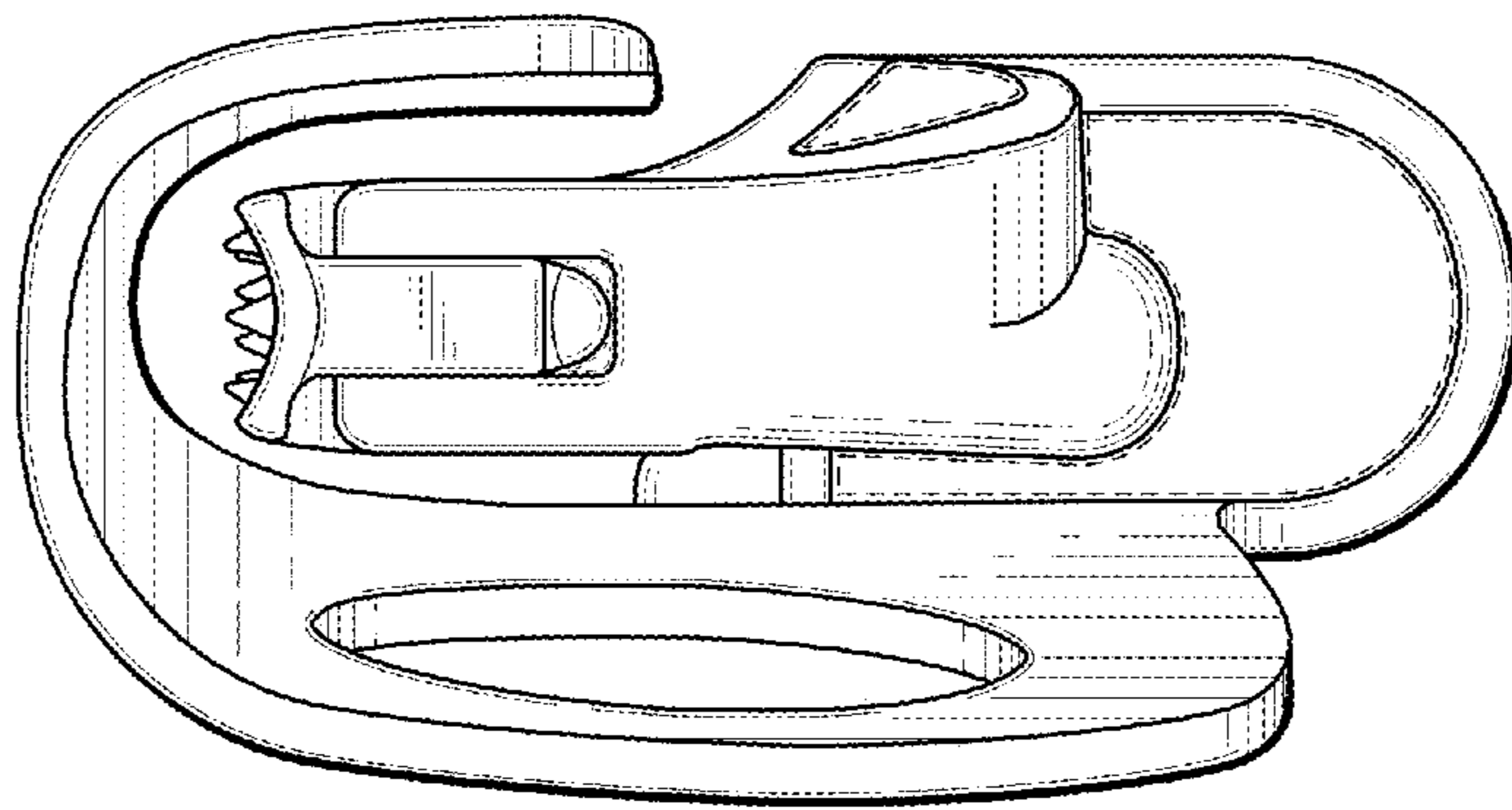


FIG. 6

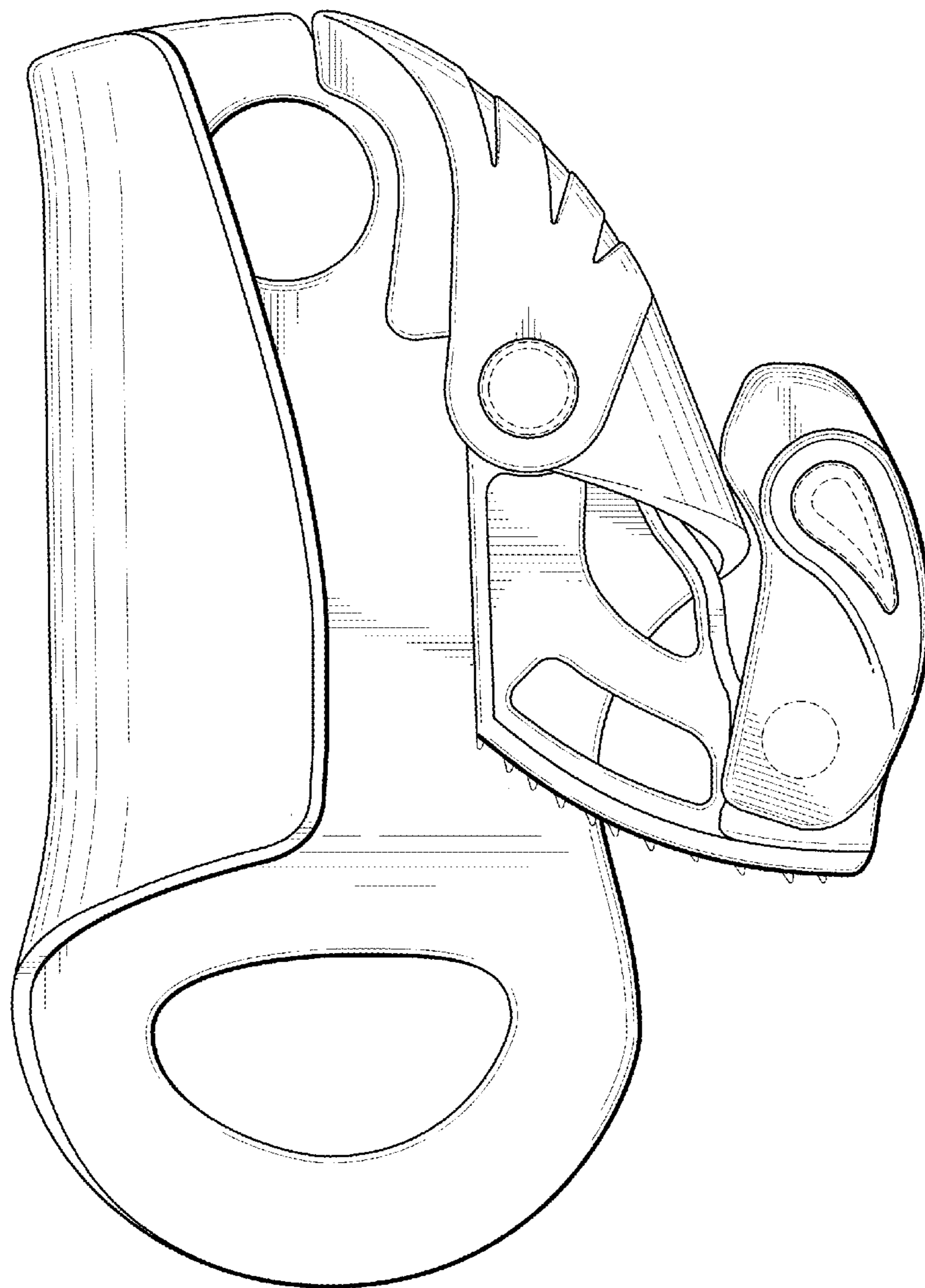


FIG. 7

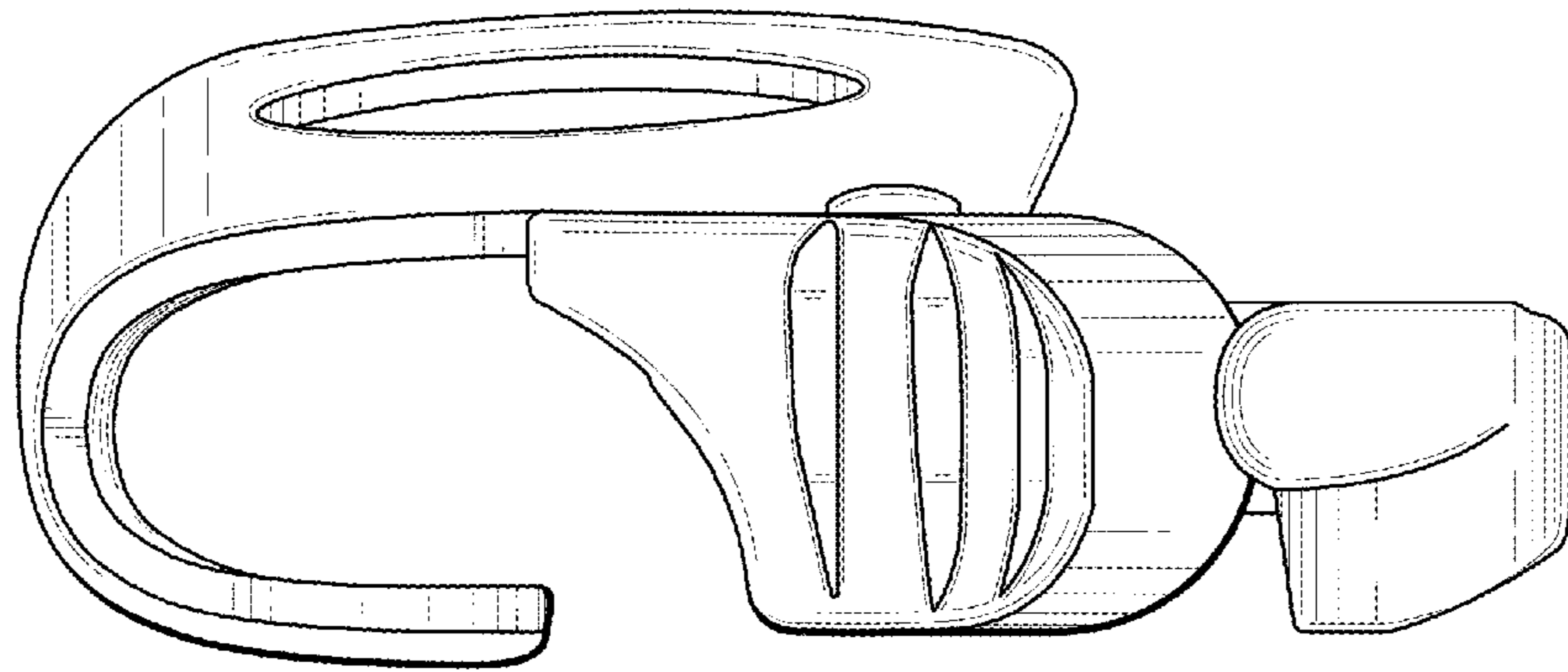


FIG. 8

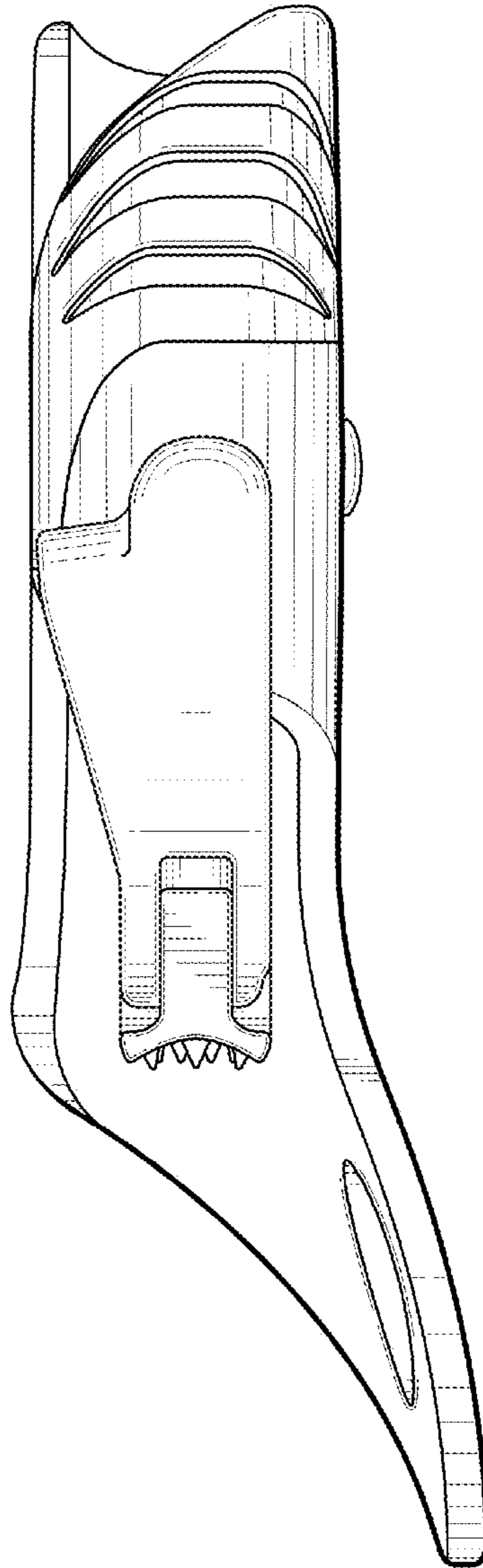


FIG. 9

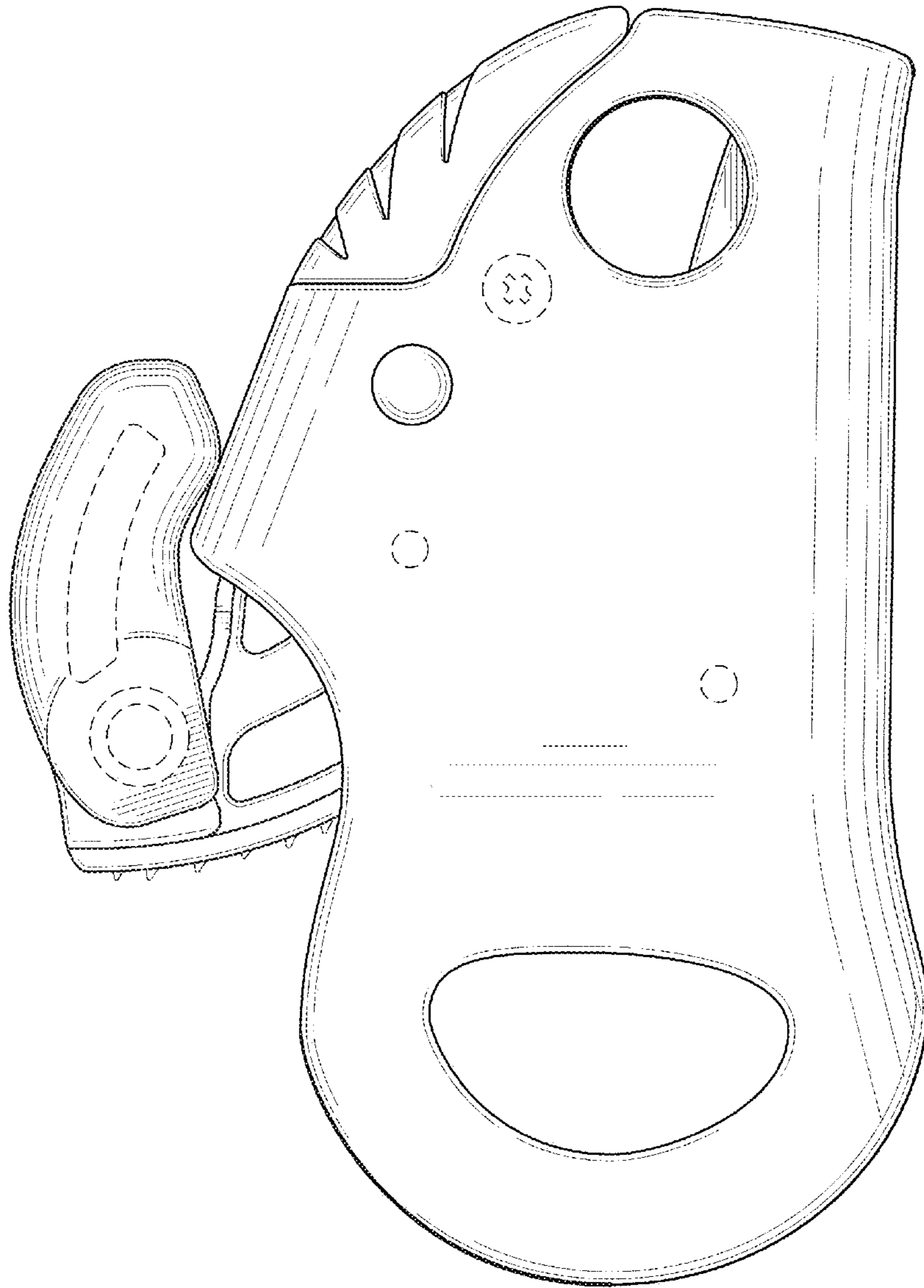


FIG. 10

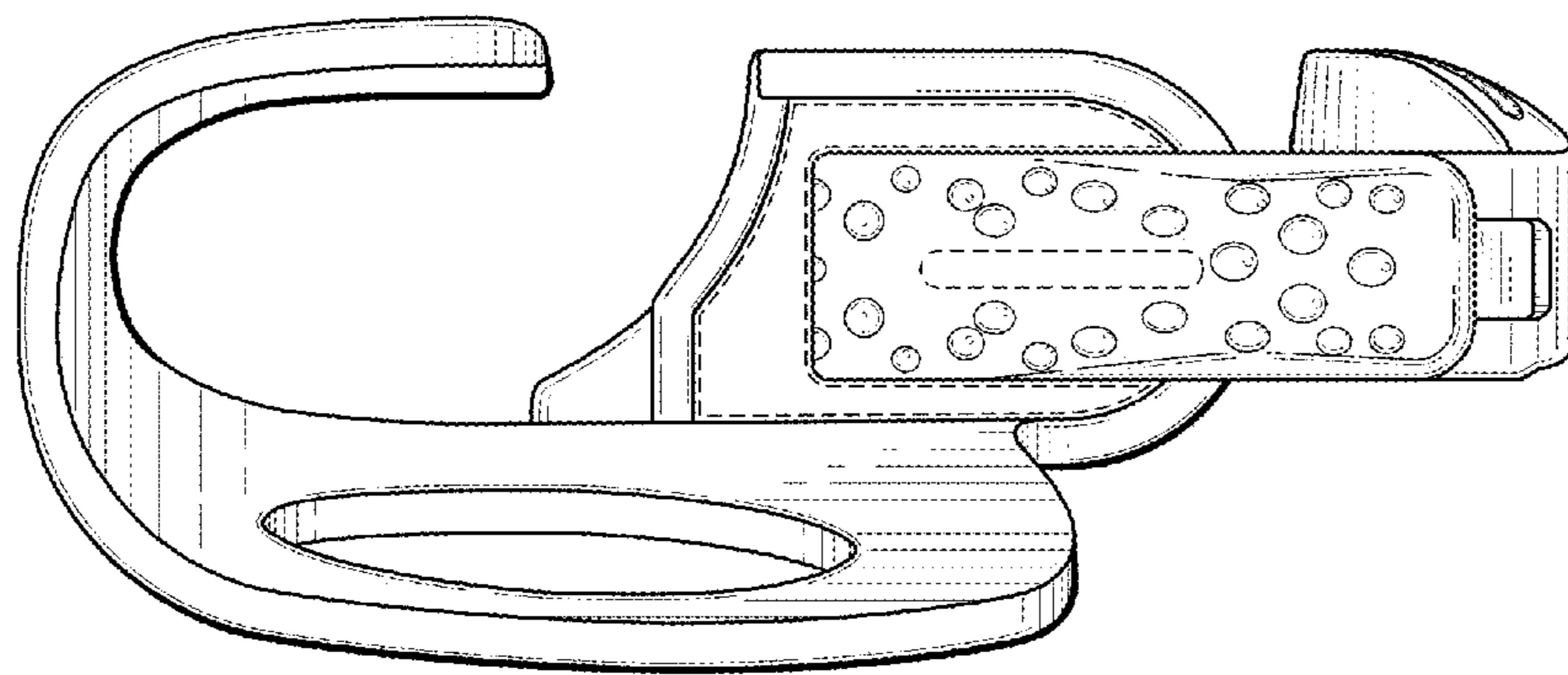


FIG. 11