



US00D708930S

(12) **United States Design Patent**
Rothbaum et al.

(10) **Patent No.:** **US D708,930 S**
(45) **Date of Patent:** **** Jul. 15, 2014**

(54) **STRAP WITH HOOK AND LOOP CLOSURE FOR A CORD MANAGEMENT SYSTEM**

(71) Applicant: **CJD LLC**, New York, NY (US)

(72) Inventors: **Wayne Rothbaum**, New York, NY (US);
Allison S. Conner, Brooklyn, NY (US);
Robert B. Curtis, New York, NY (US);
Jonas K. Damon, New York, NY (US);
Daniel A. Sanchez, Brooklyn, NY (US)

(73) Assignee: **CJD LLC**, New York, NY (US)

(**) Term: **14 Years**

(21) Appl. No.: **29/443,386**

(22) Filed: **Jan. 16, 2013**

Related U.S. Application Data

(63) Continuation of application No. 29/401,643, filed on Sep. 13, 2011, now Pat. No. Des. 675,505.

(51) **LOC (10) Cl.** **08-05**

(52) **U.S. Cl.**
USPC **D8/356**

(58) **Field of Classification Search**
USPC D8/356, 354, 349; 220/575;
206/521.15; 24/302, 16 R, 306;
439/501; 381/374; D14/217, 205
See application file for complete search history.

(56) **References Cited**

U.S. PATENT DOCUMENTS

D39,960 S 5/1909 Mussillon
1,544,386 A 6/1925 Fridolph

(Continued)

FOREIGN PATENT DOCUMENTS

CN 201352845 Y 11/2009
GB 2420552 A 5/2006

(Continued)

OTHER PUBLICATIONS

Rothbaum, Notice of Allowance, U.S. Appl. No. 29/401,359, filed Mar. 22, 2013, 12 pgs.

(Continued)

Primary Examiner — Cynthia Underwood

(74) *Attorney, Agent, or Firm* — Morgan Lewis & Bockius LLP

(57) **CLAIM**

The ornamental design for a strap with hook and loop closure for a cord management system, as shown and described.

DESCRIPTION

The present application relates to the following Patents and Applications:

to U.S. utility patent number application Ser. No. 12/761,326, filed Apr. 15, 2010, (now abandoned),
to U.S. design patent application Ser. No. 29/368,746, filed Aug. 27, 2010 (now Patent No. D636,659),
to U.S. design patent application Ser. No. 29/368,755, filed Aug. 27, 2010, (now Patent No. D667,291),
to U.S. design application Ser. No. 29/388,372, filed Mar. 28, 2011, (now Patent No. D645,333),
to U.S. design application Ser. No. 29/401,359, filed Sep. 11, 2011,
to U.S. design application Ser. No. 29/401,360, filed Sep. 11, 2011, and
to U.S. design application Ser. No. 29/401,930, filed Sep. 16, 2011.

FIG. 1 is a perspective view of an embodiment of our new design of a strap with hook and loop closure for a cord management system.

FIG. 2 is a top view of the embodiment of FIG. 1.

FIG. 3 is a bottom view of the embodiment of FIG. 1.

FIG. 4 is a view of a first side of the embodiment of FIG. 1.

FIG. 5 is a view of a second side of the embodiment of FIG. 1.

FIG. 6 is a view of a third side of the embodiment of FIG. 1.

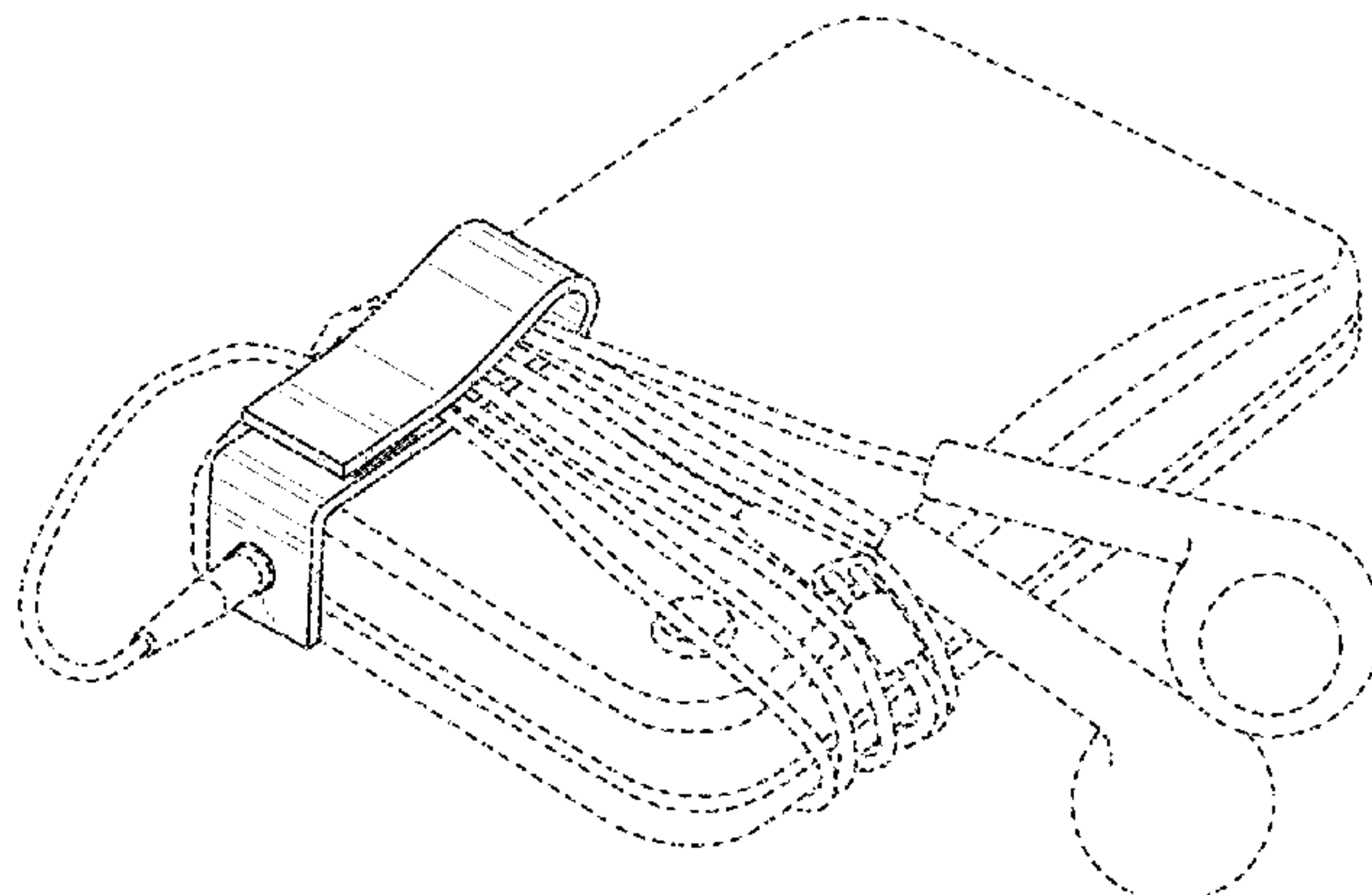
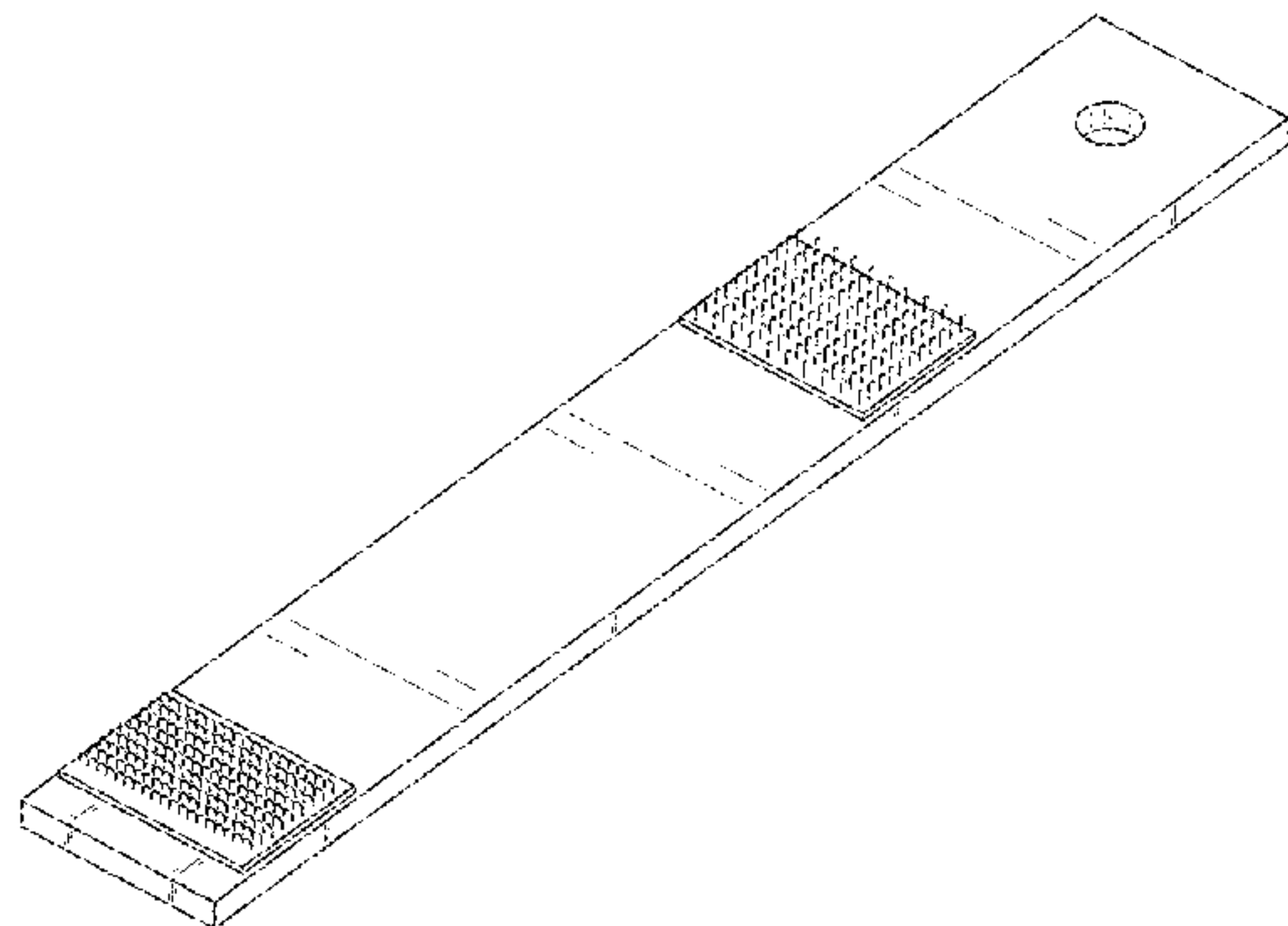
FIG. 7 is a view of a fourth side of the embodiment of FIG. 1.

FIG. 8 is another perspective view of the embodiment of FIG. 1 provided for illustrative purposes, the perspective view illustrating the embodiment when used in conjunction with an object; and,

FIG. 9 is another perspective view of the embodiment of FIG. 1 provided for illustrative purposes, the perspective view illustrating the embodiment when used in conjunction with an object.

The broken lines showing elements of the strap with hook and loop closure for a cord management system in the above described figures are for illustrative purposes only and form no part of the claimed design.

1 Claim, 6 Drawing Sheets



(56)

References Cited

U.S. PATENT DOCUMENTS

1,675,421 A 12/1928 Pettee et al.
 1,722,498 A 7/1929 Fridolph
 2,373,328 A 4/1945 Morehouse
 2,826,796 A 3/1958 Davis
 2,880,008 A 3/1959 Stoner
 2,929,596 A 3/1960 Ewing
 2,965,939 A 12/1960 Olsson
 D206,401 S 12/1966 Fisher
 3,529,328 A 9/1970 Davison
 D224,960 S 10/1972 Wilson
 3,919,740 A 11/1975 Scherb
 3,994,048 A 11/1976 Rosenthal
 4,815,172 A 3/1989 Ward
 4,920,235 A 4/1990 Yamaguchi
 4,940,427 A 7/1990 Pearson
 4,957,232 A 9/1990 Sprague
 5,048,158 A 9/1991 Koerner
 5,086,543 A 2/1992 Mitchell
 5,130,899 A 7/1992 Larkin et al.
 5,136,759 A 8/1992 Armour, II
 5,142,743 A 9/1992 Hahn
 5,168,603 A 12/1992 Reed
 D353,990 S 1/1995 Alfreds
 D357,739 S 4/1995 Stewart et al.
 5,402,971 A 4/1995 Bower
 5,517,838 A 5/1996 Moore
 5,518,214 A 5/1996 Spencer
 5,572,773 A 11/1996 Bauer
 5,584,452 A 12/1996 Koike
 5,586,760 A 12/1996 Hauter
 5,595,014 A * 1/1997 Moore 43/25
 5,604,961 A 2/1997 Cole
 D381,023 S * 7/1997 Accardo D14/218
 D381,888 S 8/1997 Gonda et al.
 D384,669 S * 10/1997 Collier D14/218
 5,682,653 A 11/1997 Berglof et al.
 D390,447 S 2/1998 Colen, Jr.
 5,732,445 A 3/1998 Stodolka et al.
 5,745,958 A 5/1998 Kaldor
 5,802,676 A 9/1998 Tolan
 D401,137 S 11/1998 Boelling
 5,845,374 A 12/1998 Briggs
 6,010,105 A 1/2000 Davis
 6,044,525 A 4/2000 Sastre et al.
 6,085,393 A 7/2000 Tsui et al.
 6,087,594 A 7/2000 Chou
 6,131,200 A 10/2000 McNamara
 6,279,804 B1 8/2001 Gregg
 6,301,754 B1 10/2001 Grunberger et al.
 6,344,021 B1 * 2/2002 Juster et al. 600/15
 D454,235 S 3/2002 Kaplan
 6,427,290 B1 8/2002 Liu
 6,467,132 B1 10/2002 Robley
 6,474,520 B1 11/2002 Finkelstein
 6,490,767 B2 12/2002 Haiduk
 6,499,199 B2 12/2002 Frazier
 6,581,885 B2 6/2003 Polad
 6,588,074 B2 7/2003 Galkiewicz et al.
 6,701,580 B1 3/2004 Bandyopadhyay
 D488,374 S 4/2004 Hussaini et al.
 D491,046 S 6/2004 Johnson
 6,763,554 B1 7/2004 Torrey et al.
 D495,972 S 9/2004 Pettingill
 6,880,270 B2 4/2005 Prather
 D505,785 S * 6/2005 Woody D3/215
 6,992,253 B1 1/2006 Spellman et al.
 7,025,509 B2 4/2006 Martin
 7,039,958 B2 5/2006 Henricksen
 7,080,430 B2 7/2006 Wemmer
 7,096,544 B2 8/2006 Lusardi
 7,213,278 B2 5/2007 Peterson et al.
 D543,833 S 6/2007 Folk et al.
 D566,526 S 4/2008 Robbins et al.
 D567,630 S 4/2008 Brassard
 D567,631 S 4/2008 Brassard

D572,156 S 7/2008 Payne
 D580,257 S 11/2008 Squyers
 7,448,689 B2 11/2008 Carter et al.
 7,516,591 B2 4/2009 Wolner et al.
 7,543,359 B2 6/2009 Moughelbay et al.
 D599,196 S 9/2009 Ruffin et al.
 D611,317 S 3/2010 McGrath et al.
 D613,137 S 4/2010 Wieberdink et al.
 7,712,696 B2 5/2010 Loh
 7,731,069 B2 6/2010 Lopreiato
 D619,883 S 7/2010 Hansort
 D619,884 S 7/2010 Hansort
 D624,378 S 9/2010 Wysopal
 D625,579 S 10/2010 Lee et al.
 D631,327 S 1/2011 Maraia
 D631,328 S 1/2011 Chen
 D636,659 S 4/2011 Rothbaum et al.
 D639,963 S 6/2011 Kase
 8,002,159 B2 8/2011 Cragg
 D645,333 S 9/2011 Rothbaum et al.
 8,103,352 B2 1/2012 Fried et al.
 D654,052 S 2/2012 Lee et al.
 D660,740 S 5/2012 Cullen et al.
 D662,087 S * 6/2012 Peller D14/223
 8,203,077 B2 6/2012 Honeycutt et al.
 D664,831 S 8/2012 Scherer
 D666,076 S 8/2012 Muratore et al.
 D666,896 S 9/2012 Pinholster, Jr. et al.
 D667,043 S * 9/2012 Couch, III D16/237
 8,261,416 B2 9/2012 Rothbaum et al.
 D675,123 S 1/2013 Nunez
 D676,425 S 2/2013 Nishimura et al.
 D676,733 S 2/2013 Zach et al.
 8,366,058 B2 2/2013 Tiedemann, Sr.
 D677,652 S * 3/2013 Gifford D14/217
 8,413,306 B2 4/2013 Gallant et al.
 8,453,899 B1 6/2013 Calkin
 8,590,823 B2 11/2013 Rothbaum et al.
 2001/0035242 A1 11/2001 Hughs et al.
 2002/0033271 A1 3/2002 Fritschle et al.
 2002/0073516 A1 6/2002 Behar
 2002/0112323 A1 8/2002 Nire
 2002/0139823 A1 10/2002 Johnson
 2003/0167605 A1 9/2003 Schultz
 2005/0016760 A1 1/2005 Vasichek
 2005/0025329 A1 2/2005 Lee
 2005/0255898 A1 11/2005 Huang
 2006/0008106 A1 1/2006 Harper
 2006/0121962 A1 6/2006 Kohli
 2006/0178041 A1 8/2006 Lund et al.
 2006/0186150 A1 8/2006 Willows et al.
 2006/0206986 A1 9/2006 Straiton
 2007/0086617 A1 4/2007 Loh
 2007/0152008 A1 7/2007 Case
 2008/0041897 A1 2/2008 Malhotra
 2008/0083096 A1 4/2008 Wilkinson
 2008/0149679 A1 6/2008 Case et al.
 2008/0164157 A1 7/2008 Sween et al.
 2009/0013504 A1 1/2009 Crespo
 2009/0016559 A1 1/2009 Cleary
 2009/0314515 A1 12/2009 Bevirt et al.

FOREIGN PATENT DOCUMENTS

JP 63125493 U 8/1988
 JP 11317995 A 11/1999
 JP 2001169381 A 6/2001
 JP 2003230418 A 8/2003
 JP 2003319484 A 11/2003
 JP 2006081130 A 3/2006
 JP 2006-222712 A 8/2006
 JP 2009212918 A 9/2009
 KR 20-0301311 1/2003
 WO WO 2004/071056 A1 8/2004

OTHER PUBLICATIONS

Rothbaum, Notice of Allowance, U.S. Appl. No. 29/428,997, filed Feb. 27, 2013, 7 pgs.

(56)

References Cited

OTHER PUBLICATIONS

Rothbaum, Notice of Allowance, U.S. Appl. No. 29/443,387, filed May 24, 2013, 8 pgs.
CJD LLC, ISR/WO, PCT/US2010/031087, Apr. 29, 2011, 24 pgs.
Earbud Clips, Wetjetset.com, Jun. 7, 2010, 3 pgs.
Headphone cable tidy—pack of 3—accessories for PDA, smartphone . . . , Jun. 7, 2010, 2 pgs.
Quogue Capital LLC, ISR/WO, PCT/US2009/067927, Jul. 14, 2010, 8 pgs.
Rothbaum, ISR/WO, PCT/US2010/053244, Jun. 24, 2011, 24 pgs.
Rothbaum, Notice of Allowance, U.S. Appl. No. 29/368,746, filed Dec. 29, 2010, 8 pgs.
Rothbaum, Notice of Allowance, U.S. Appl. No. 29/368,755, filed May 15, 2012, 8 pgs.
Rothbaum, Notice of Allowance, U.S. Appl. No. 29/388,372, filed Jul. 14, 2011, 5 pgs.
Rothbaum, Notice of Allowance, U.S. Appl. No. 29/401,359, filed Nov. 15, 2012, 7 pgs.
Rothbaum, Notice of Allowance, U.S. Appl. No. 29/401,360, filed Sep. 28, 2012, 5 pgs.

Rothbaum, Notice of Allowance, U.S. Appl. No. 29/401,643, filed Sep. 18, 2012, 8 pgs.
Rothbaum, Notice of Allowance, U.S. Appl. No. 29/401,930, filed Nov. 23, 2012, 7 pgs.
Rothbaum, Office Action, U.S. Appl. No. 29/368,754, filed Jul. 19, 2011, 5 pgs.
Sumajin smartwrap earphone cord manager, www.ilounge.com, Jun. 7, 2010, 3 pgs.
Use magnetic paper clips to keep cords from tangling, Jun. 7, 2010, 5 pgs.
Rothbaum, Notice of Allowance, U.S. Appl. No. 29/443,389, filed Aug. 6, 2013, 6 pgs.
Rothbaum, Notice of Allowance, U.S. Appl. No. 29/444,911, filed Sep. 25, 2013, 8 pgs.
Rothbaum, Notice of Allowance, U.S. Appl. No. 29/458,903, filed Nov. 4, 2013, 8 pgs.
Rothbaum, Notice of Allowance, U.S. Appl. No. 29/465,282, filed Oct. 25, 2013, 8 pgs.
Rothbaum, Notice of Allowance, U.S. Appl. No. 29/443,389, Nov. 14, 2013, 8 pgs.
Rothbaum, Notice of Allowance, U.S. Appl. No. 29/444,911, Jan. 15, 2014, 6 pgs.

* cited by examiner

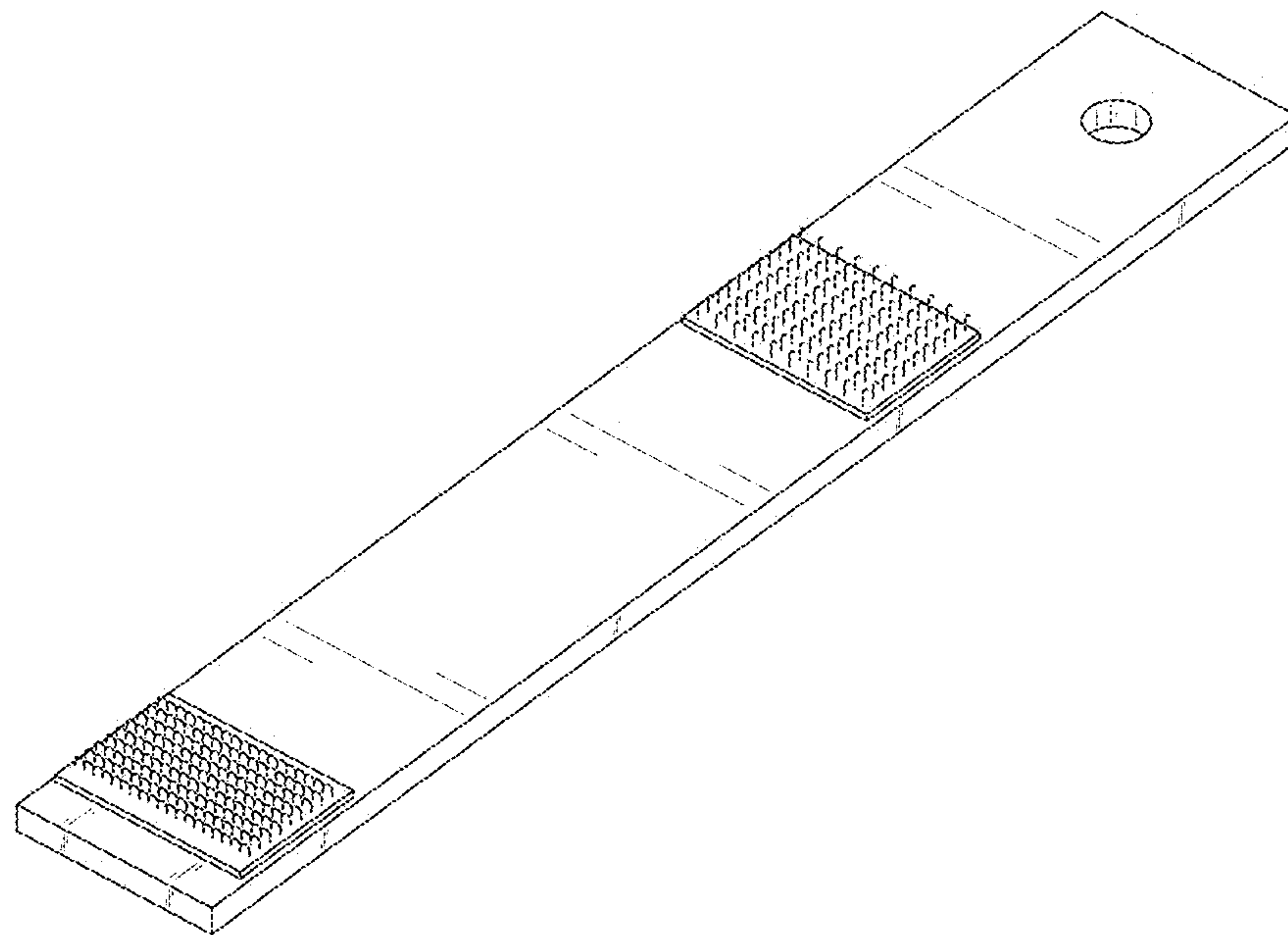


FIG. 1

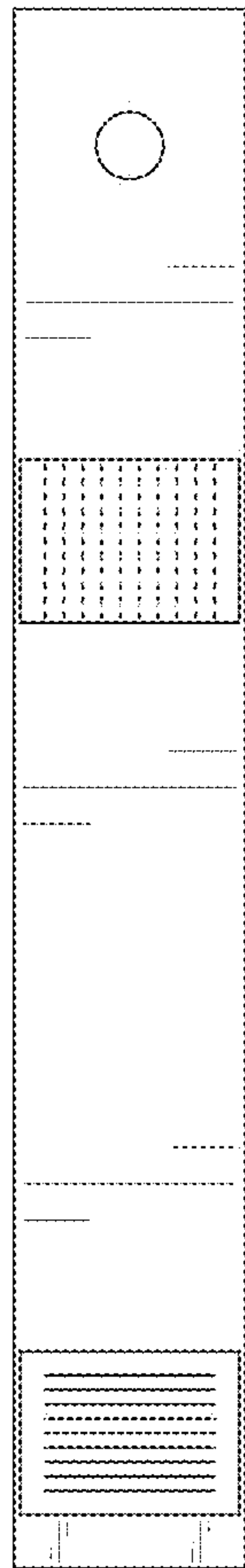


FIG. 2

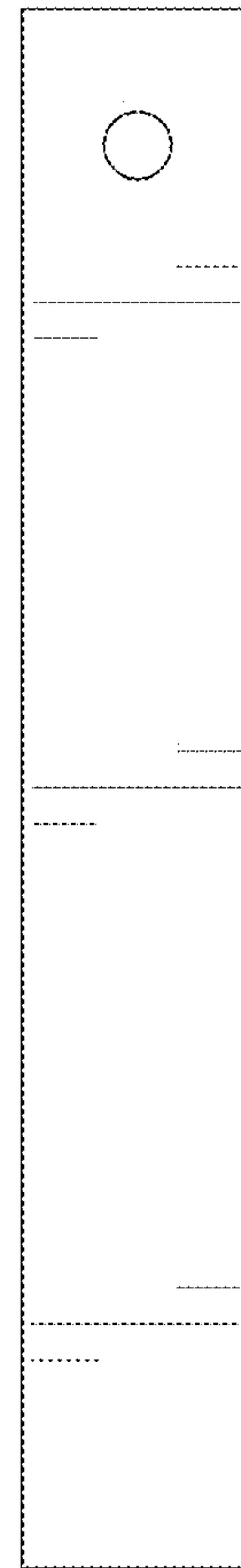


FIG. 3

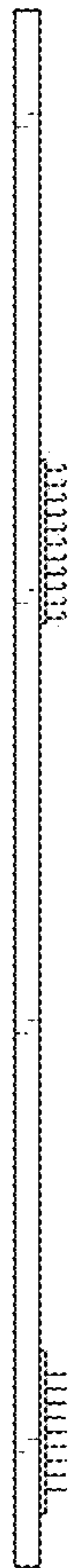


FIG. 4



FIG. 5

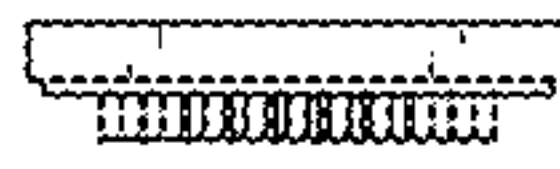


FIG. 6



FIG. 7

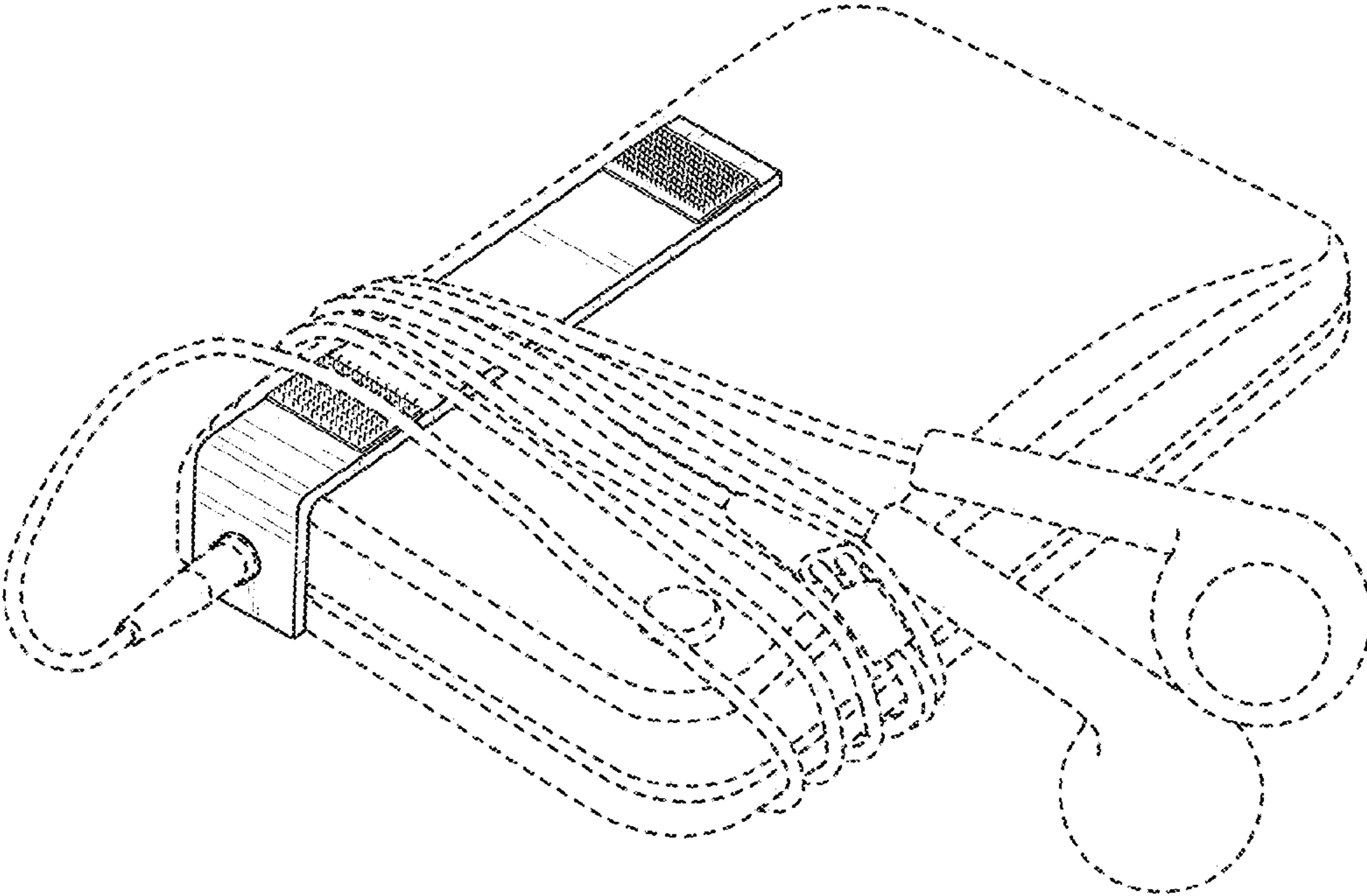


FIG. 8

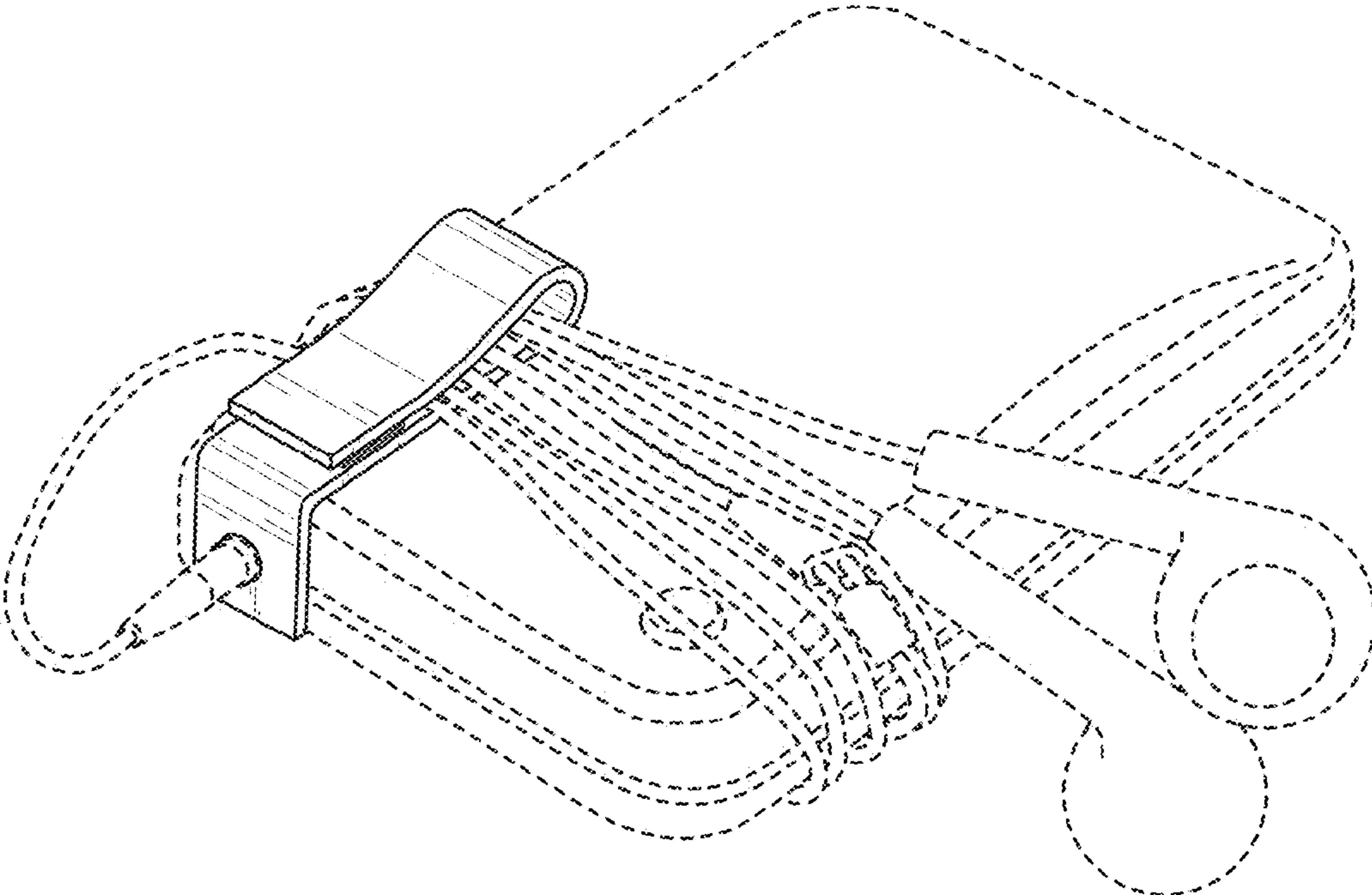


FIG. 9