



US00D708928S

(12) **United States Design Patent**
Flintoff

(10) **Patent No.:** **US D708,928 S**
(45) **Date of Patent:** **** Jul. 15, 2014**

(54) **WALL HANGING LEVEL RETENTION BRACE**

D272,996 S 3/1984 Trabue et al.
4,458,873 A 7/1984 Sutherland
4,464,834 A 8/1984 Simms
D282,054 S 1/1986 Hoffman

(71) Applicant: **W. Mark Flintoff**, Boca Raton, FL (US)

(Continued)

(72) Inventor: **W. Mark Flintoff**, Boca Raton, FL (US)

(**) Term: **14 Years**

(21) Appl. No.: **29/469,079**

(22) Filed: **Oct. 7, 2013**

FOREIGN PATENT DOCUMENTS

DE 3340598 A1 11/1983
EP 1350450 A1 10/2003
WO 2006010433 A1 2/2006

Primary Examiner — Melody Brown

(74) *Attorney, Agent, or Firm* — Kevin P. Crosby; GrayRobinson, P.A.

Related U.S. Application Data

(63) Continuation-in-part of application No. 29/350,217, filed on Nov. 12, 2009, now Pat. No. Des. 691,023.

(51) **LOC (10) Cl.** **08-05**

(52) **U.S. Cl.**
USPC **D8/354**

(58) **Field of Classification Search**

USPC D8/349, 354, 356, 366, 373, 380, 382, D8/352, 353, 371, 381; D12/223, 162, D12/400, 114, 101, 102, 115; 280/204, 282, 280/7.14, 656, 492, 288.4; 224/506, 507, 224/497; 248/300, 547, 549, 683, 688, 689, 248/219.3, 475.1, 247; 29/854; 273/317.3; 429/99; D19/65-67, 78, 91; D25/119; 52/378

See application file for complete search history.

(57) **CLAIM**

The ornamental design for a wall hanging level retention brace, as shown and described.

DESCRIPTION

FIG. 1 is a front elevational view of a wall hanging level retention brace showing my design.

FIG. 2 is a rear elevational view of the design shown in FIG. 1

FIG. 3 is an enlarged left side elevational view thereof being used in connection with a wall hanging.

FIG. 4 is a right side elevational view thereof being used in connection with a wall hanging.

FIG. 5 is a left rear perspective view thereof shown in FIGS. 1-5.

FIG. 6 is a right front perspective view thereof shown in FIGS. 1-5.

FIG. 7 is a left side elevational view, similar to that of FIG. 3, thereof used in connection with a wall hanging.

FIG. 8 is a rear elevational view thereof being used in connection with a wall hanging; and,

FIG. 9 is a top plan view thereof.

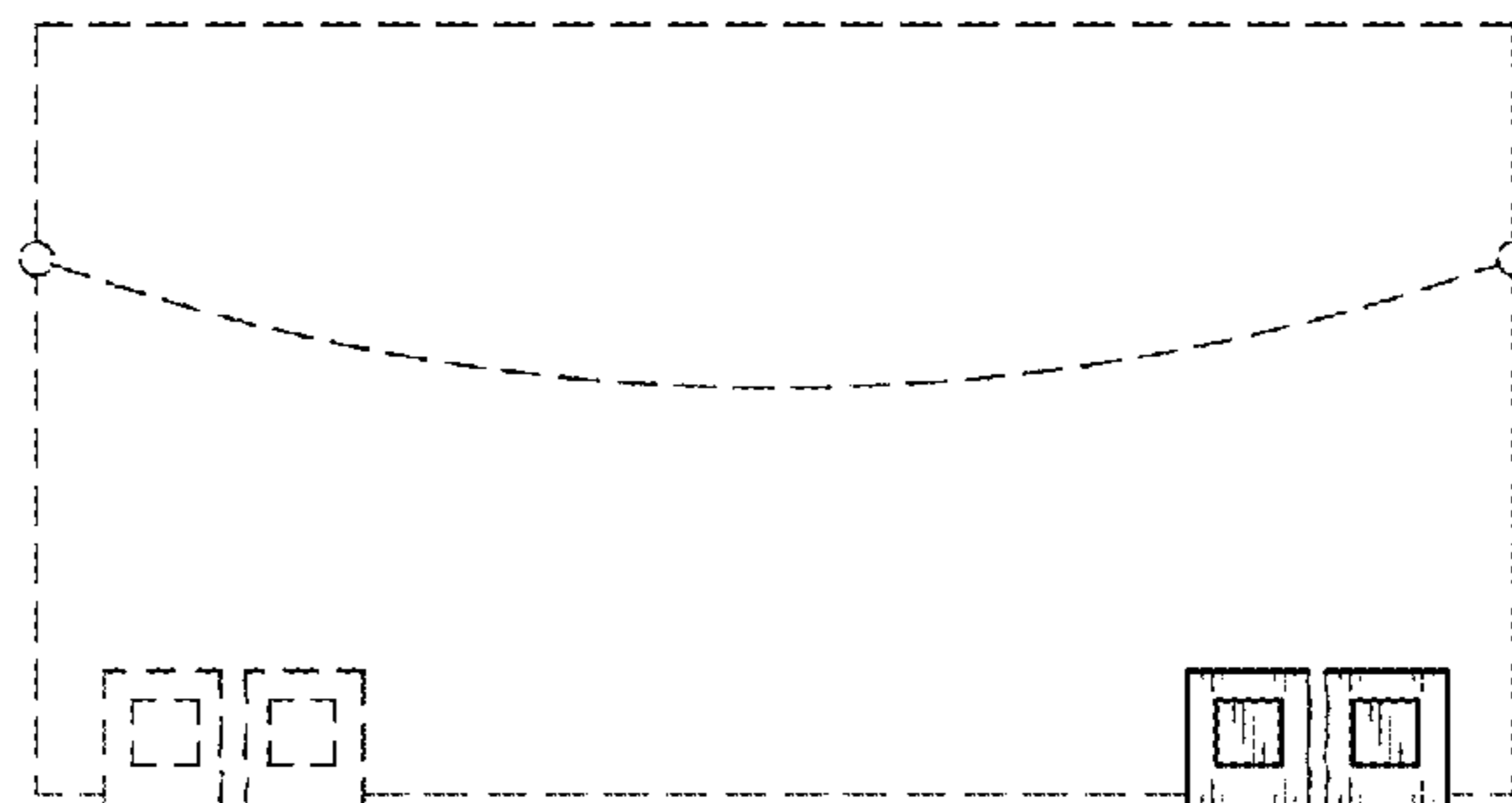
The brace is shown broken away in the middle horizontally and vertically to indicate indeterminate length.

(56) **References Cited**

U.S. PATENT DOCUMENTS

280,057 A 6/1883 Megow
2,450,465 A 10/1948 Bratburd
2,643,840 A 6/1953 Lanman
2,975,994 A 3/1961 Goss
3,384,987 A 5/1968 Prechtl
3,965,600 A 6/1976 Paskerian
4,162,056 A 7/1979 Moorhead
4,204,350 A 5/1980 Brenner
D257,330 S 10/1980 VanderWerf

1 Claim, 2 Drawing Sheets



(56)

References Cited

U.S. PATENT DOCUMENTS

D288,826 S 3/1987 Johansson
4,881,333 A 11/1989 Manrubia
4,944,094 A 7/1990 Depiano et al.
5,437,939 A 8/1995 Beckley
5,454,542 A 10/1995 Hart
6,095,479 A 8/2000 Brindisi
6,244,558 B1 6/2001 Castle
6,393,777 B1 5/2002 Renfrow

6,641,892 B2 11/2003 Lühmann
6,663,075 B2 12/2003 Zuller
6,865,836 B2 3/2005 Sachs-Lavery
7,055,289 B2 6/2006 Guth
7,222,449 B1 5/2007 Gourand et al.
7,762,517 B1 7/2010 Leseman
8,091,846 B1 1/2012 Britner
D691,023 S * 10/2013 Flintoff, Jr. D8/354
2008/0237433 A1 10/2008 Hardin
2008/0261018 A1 10/2008 Russell

* cited by examiner

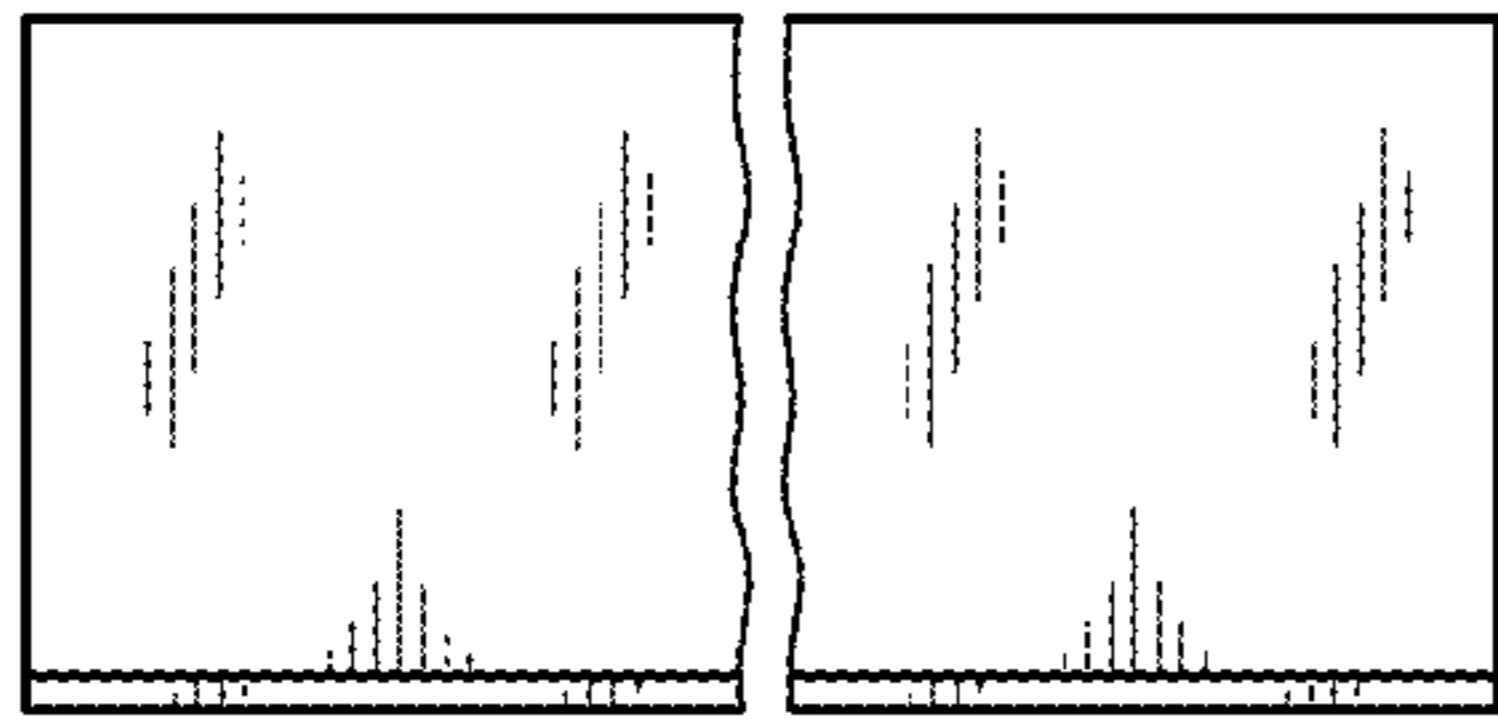


FIG. 1

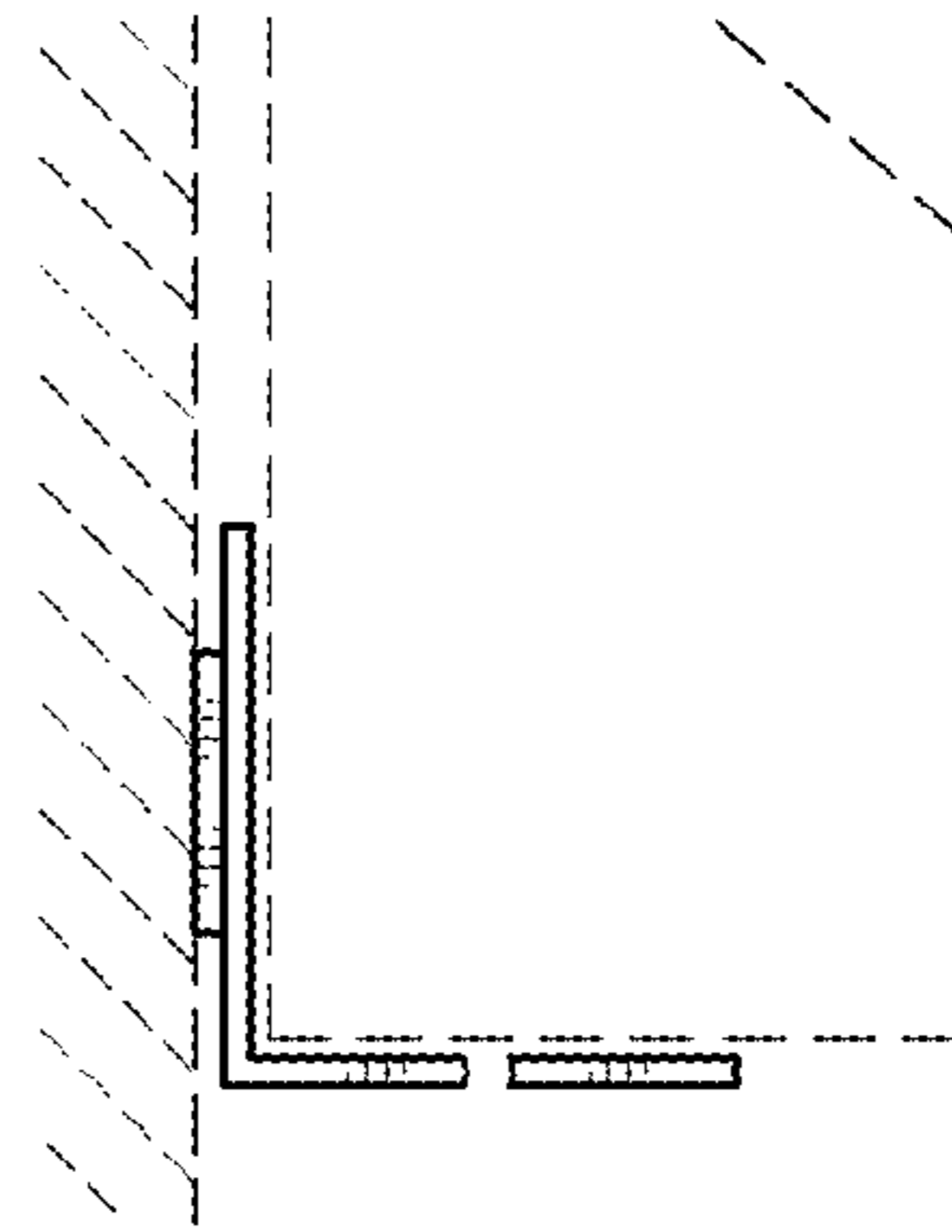


FIG. 3

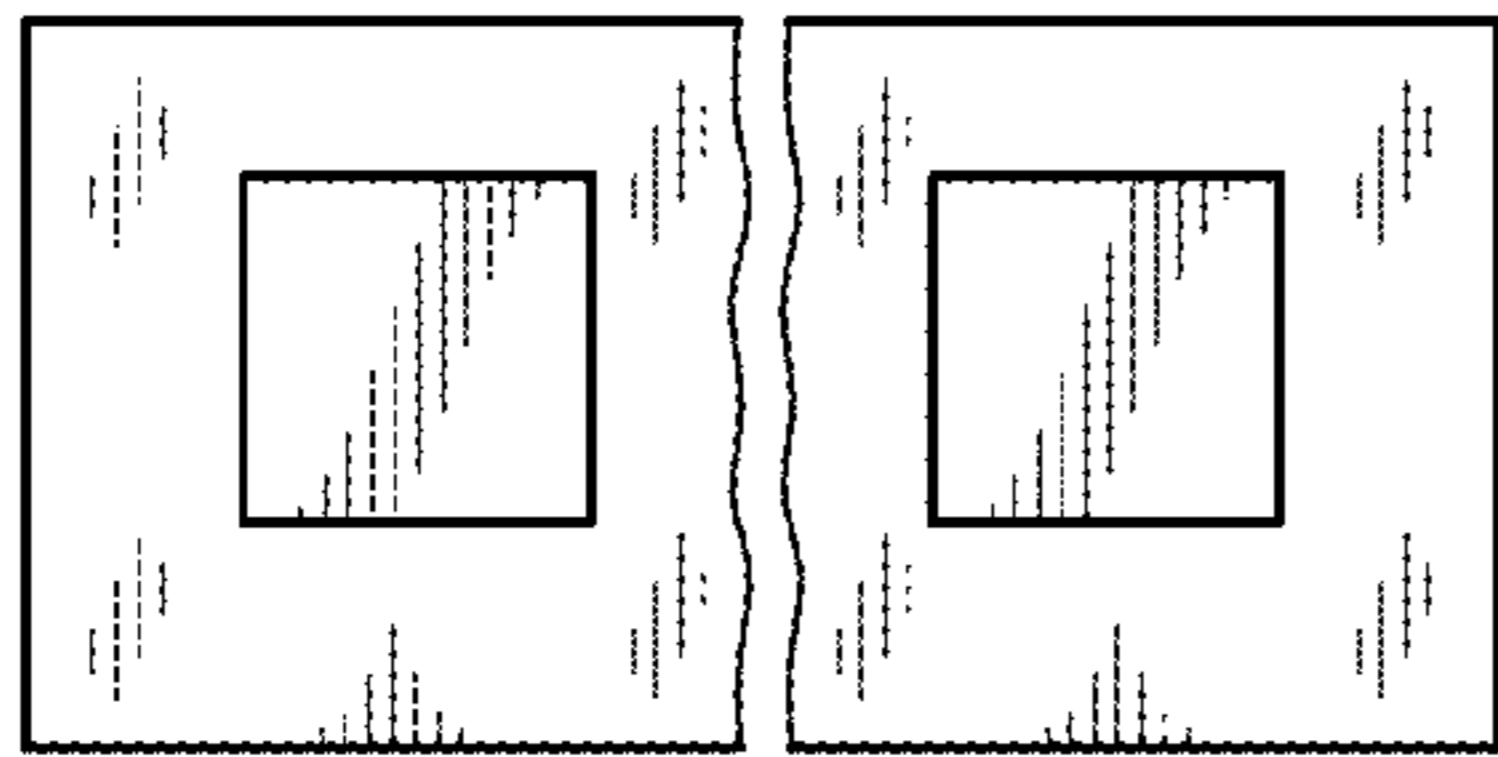


FIG. 2

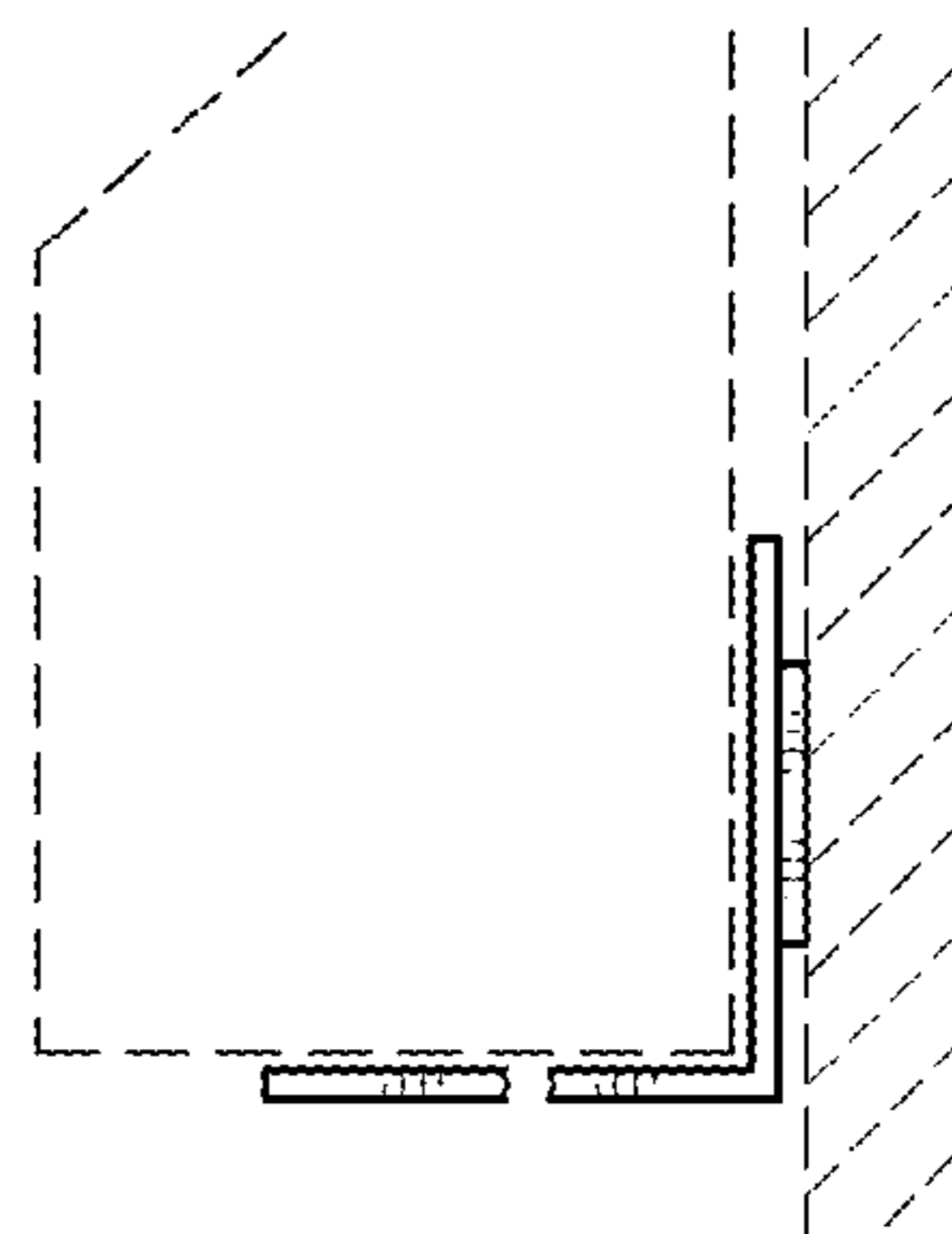


FIG. 4

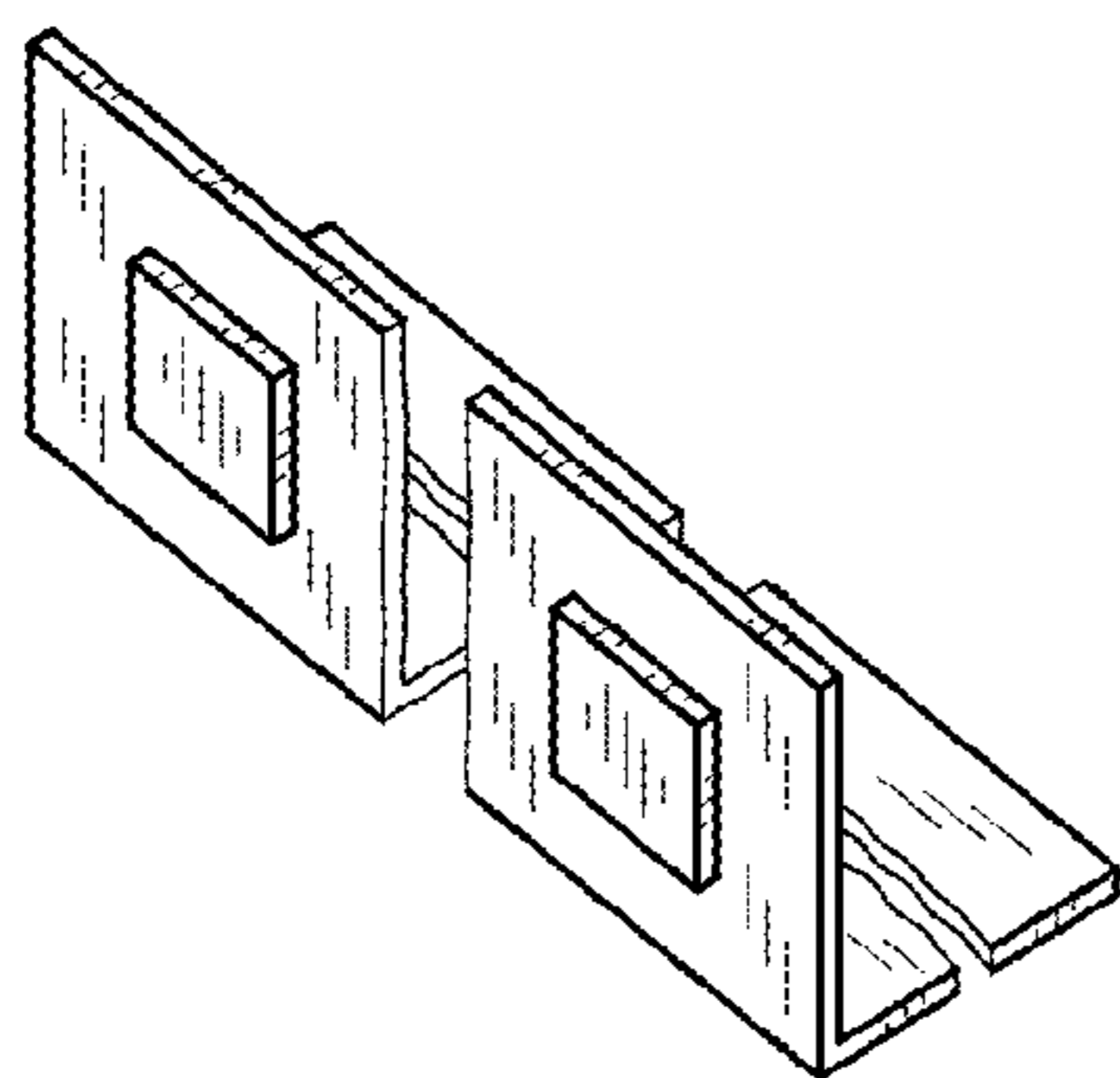


FIG. 5

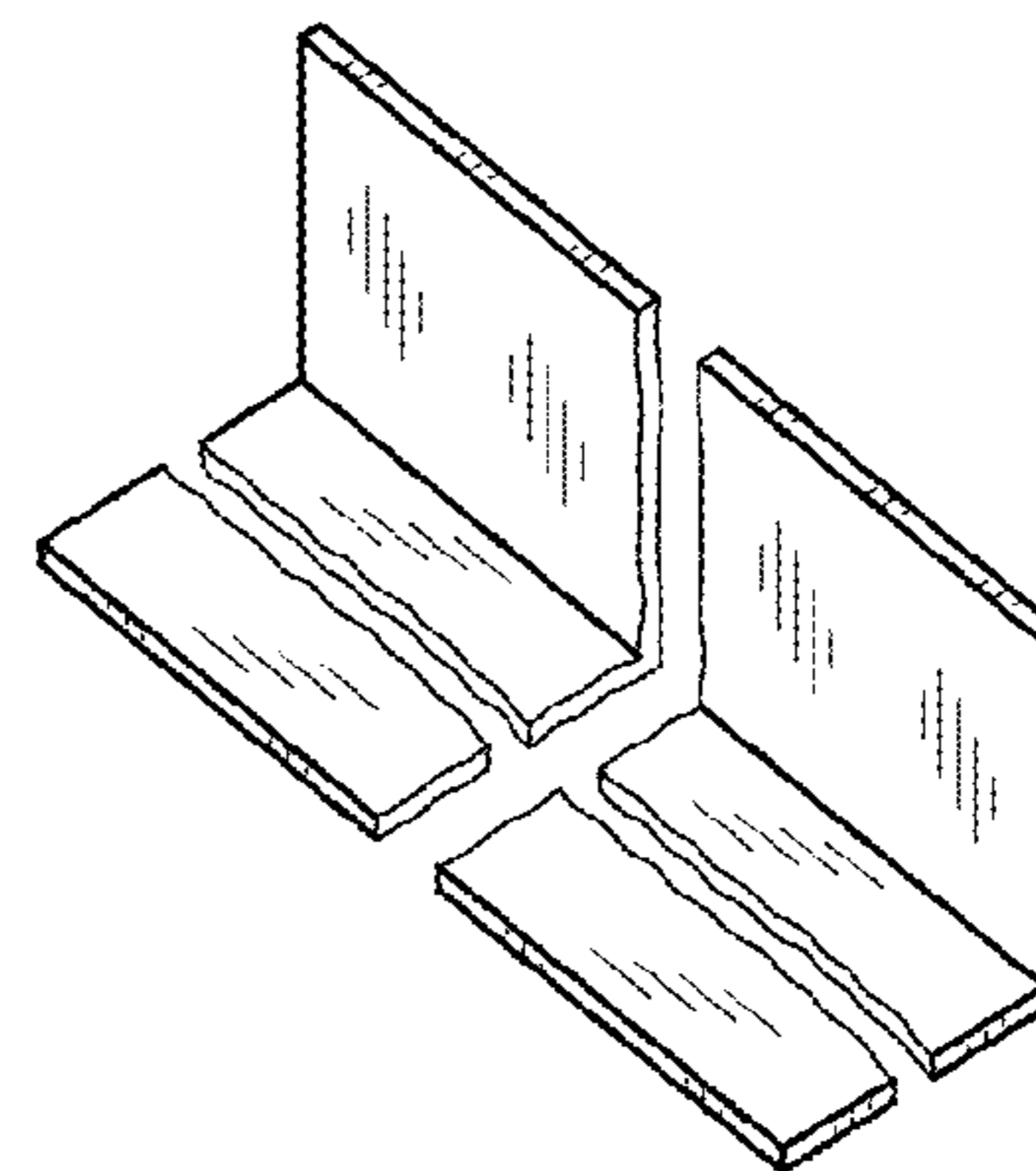


FIG. 6

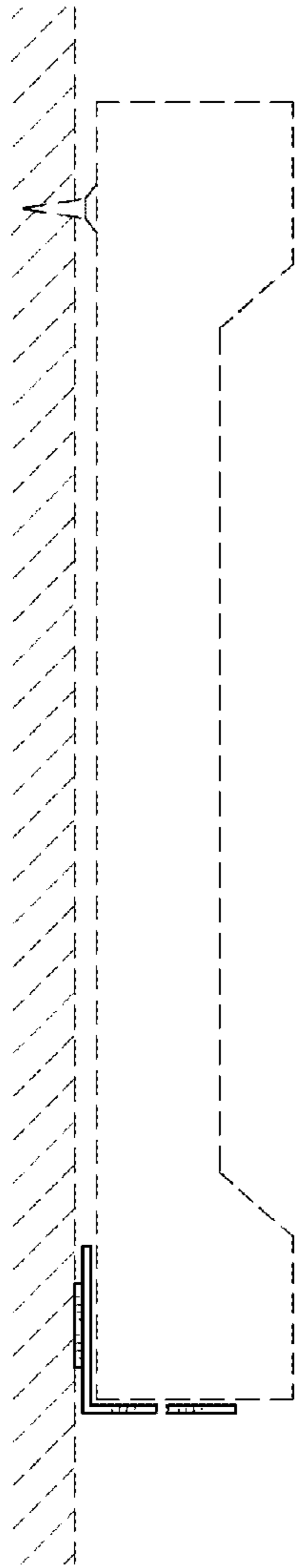


FIG. 7

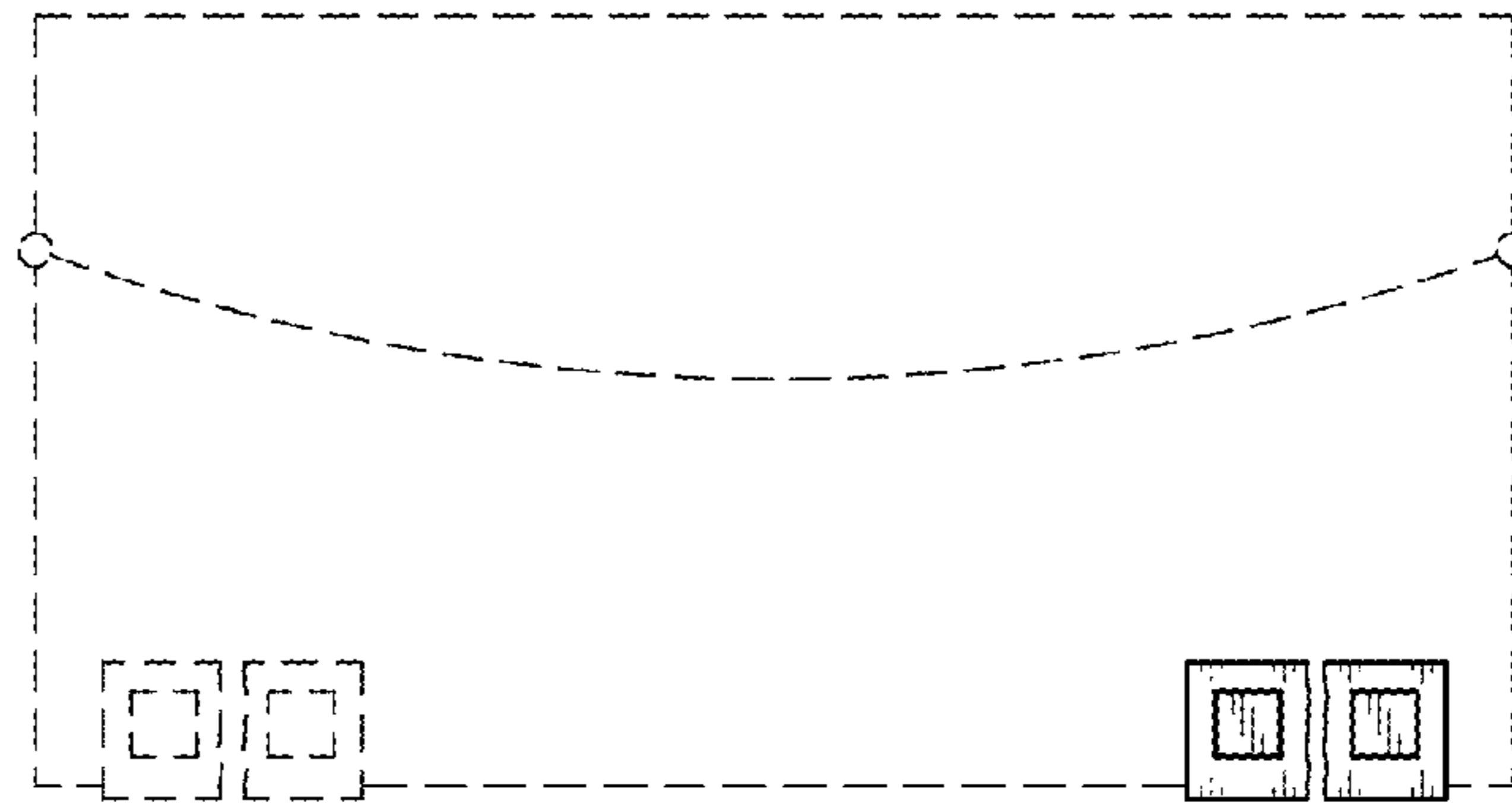


FIG. 8



FIG. 9