



US00D708927S

(12) **United States Design Patent**
Han

(10) **Patent No.:** **US D708,927 S**
(45) **Date of Patent:** **** Jul. 15, 2014**

- (54) **CABINET HANDLE**
- (71) Applicant: **Hardware Resources, Inc.**, Bossier City, LA (US)
- (72) Inventor: **Kukjin Han**, High Point, NC (US)
- (73) Assignee: **Hardware Resources, Inc.**, Bossier City, LA (US)
- (**) Term: **14 Years**
- (21) Appl. No.: **29/457,092**
- (22) Filed: **Jun. 6, 2013**
- (51) **LOC (10) Cl.** **08-06**
- (52) **U.S. Cl.**
CPC **E05B 1/00** (2013.01)
USPC **D8/317; D8/305**
- (58) **Field of Classification Search**
CPC E05B 1/00
USPC D8/300, 316, 317, 318, 319, 320,
D8/DIG. 1, DIG. 2, 305; D6/705, 707,
D6/707.14; 16/415, 430; D99/11;
292/336.3
See application file for complete search history.
- (56) **References Cited**
U.S. PATENT DOCUMENTS
D200,195 S * 2/1965 Clayton D8/316
D204,128 S * 3/1966 Clayton D8/317

3,393,423 A *	7/1968	Adams	16/444
D252,183 S *	6/1979	DeWindt	D8/300
D342,436 S *	12/1993	Cook et al.	D8/317
D403,230 S *	12/1998	Ziemer et al.	D8/317
D543,436 S *	5/2007	Ricereto	D8/316
D551,056 S *	9/2007	Ricereto	D8/317
D552,447 S *	10/2007	Krumpe et al.	D8/316
D596,918 S *	7/2009	Menzies	D8/315
D609,074 S *	2/2010	Hanes	D8/317
D634,178 S *	3/2011	Owens	D8/316
D639,134 S *	6/2011	Owens	D8/316
D642,445 S *	8/2011	Roe et al.	D8/317
D679,567 S *	4/2013	Ramsland et al.	D8/316

* cited by examiner

Primary Examiner — Paula Greene

(74) *Attorney, Agent, or Firm* — Schultz & Associates, P.C.

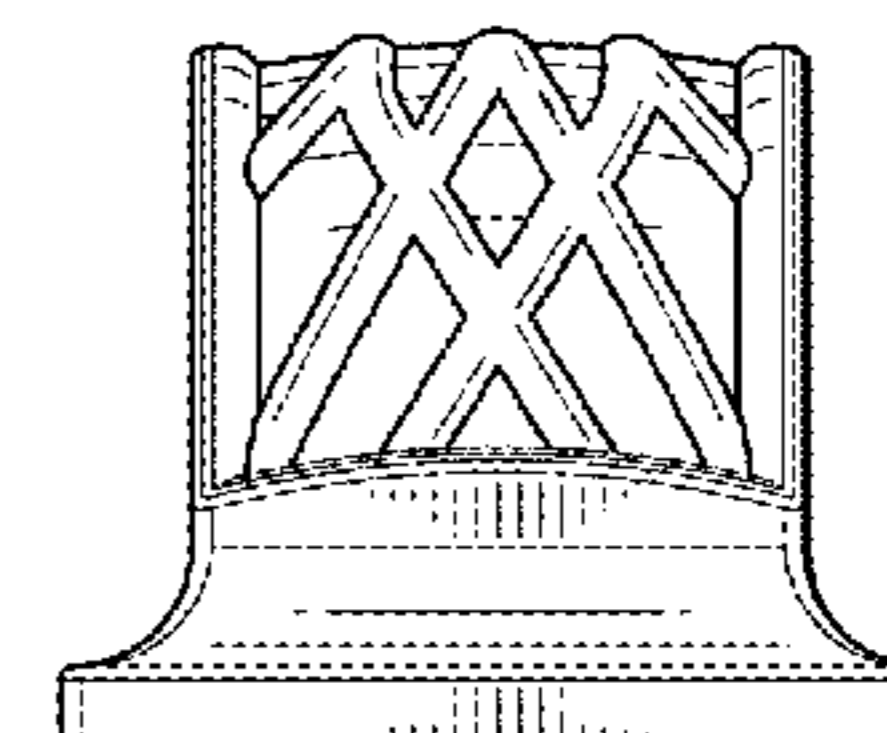
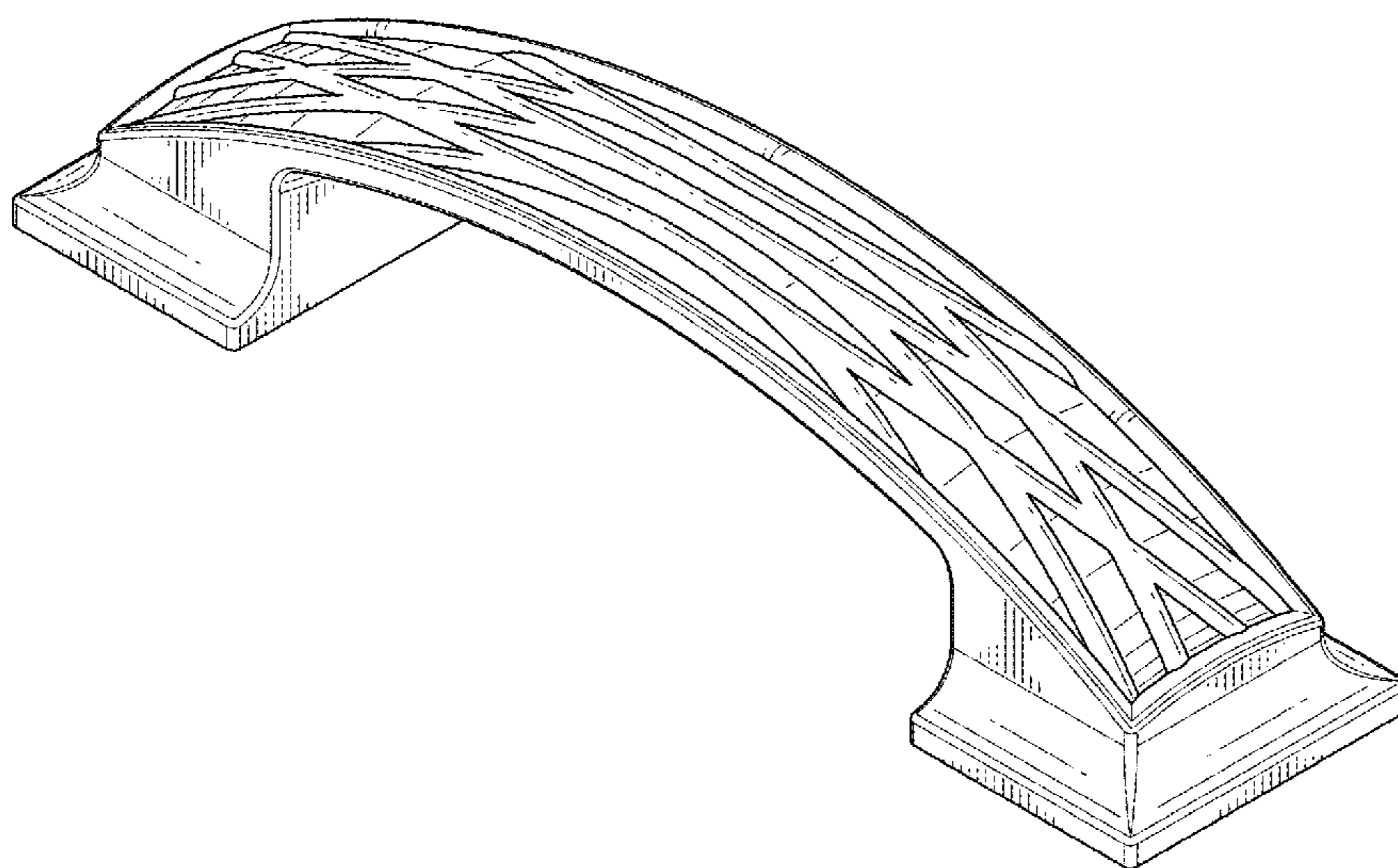
(57) **CLAIM**

The ornamental design for a cabinet handle, as shown and described.

DESCRIPTION

FIG. 1 is a perspective view of a cabinet handle showing my new design;
 FIG. 2 is a side elevation view thereof;
 FIG. 3 is a side elevation view thereof;
 FIG. 4 is a top plan view thereof; and,
 FIG. 5 is a bottom plan view thereof.
 The broken lines shown represent unclaimed subject matter and form no part of the claimed design.

1 Claim, 2 Drawing Sheets



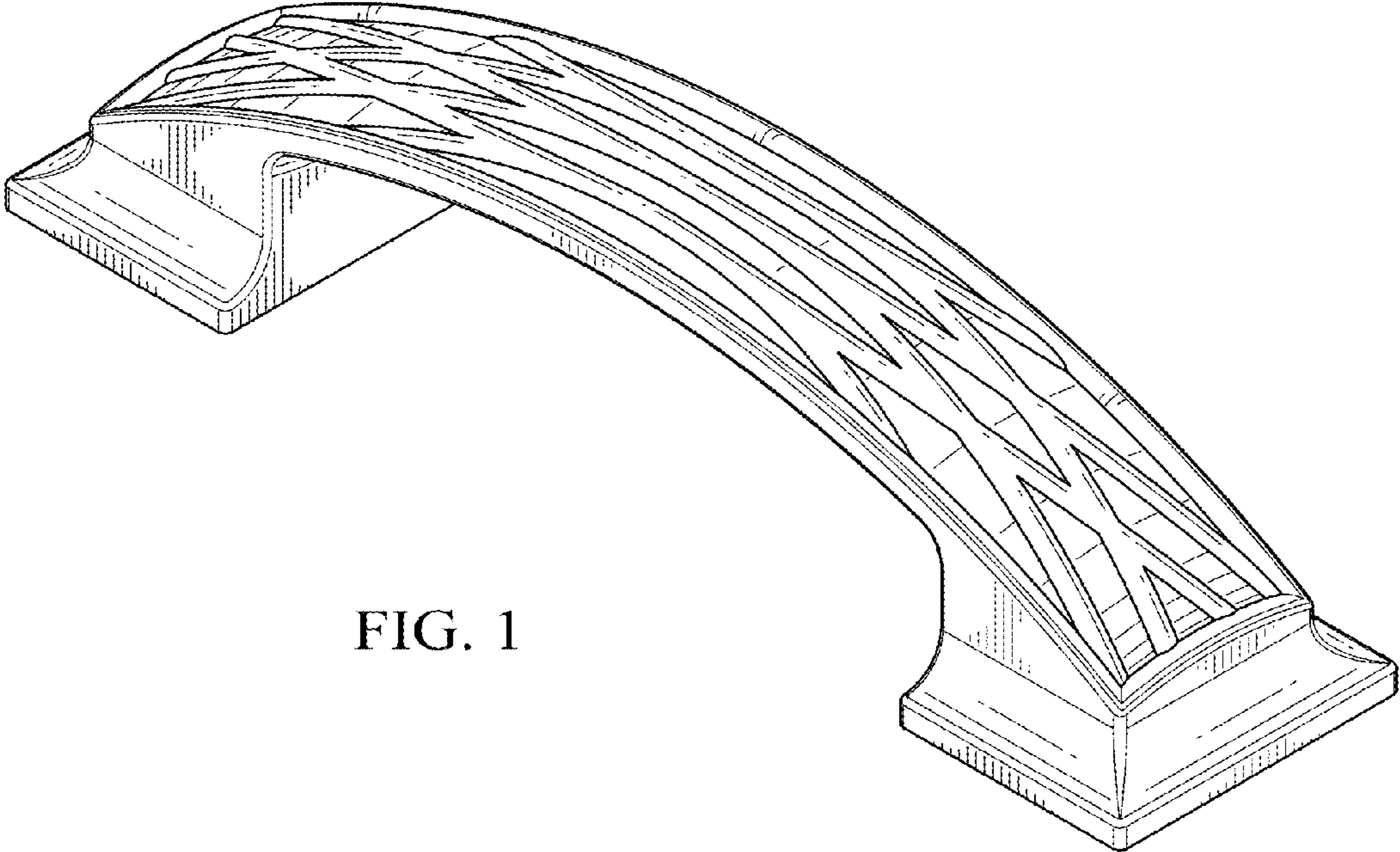


FIG. 1

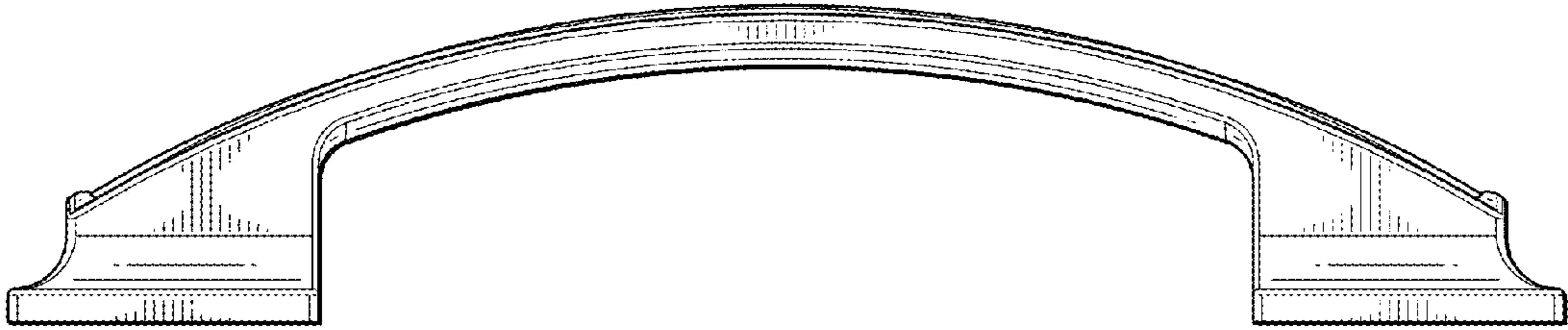


FIG. 2

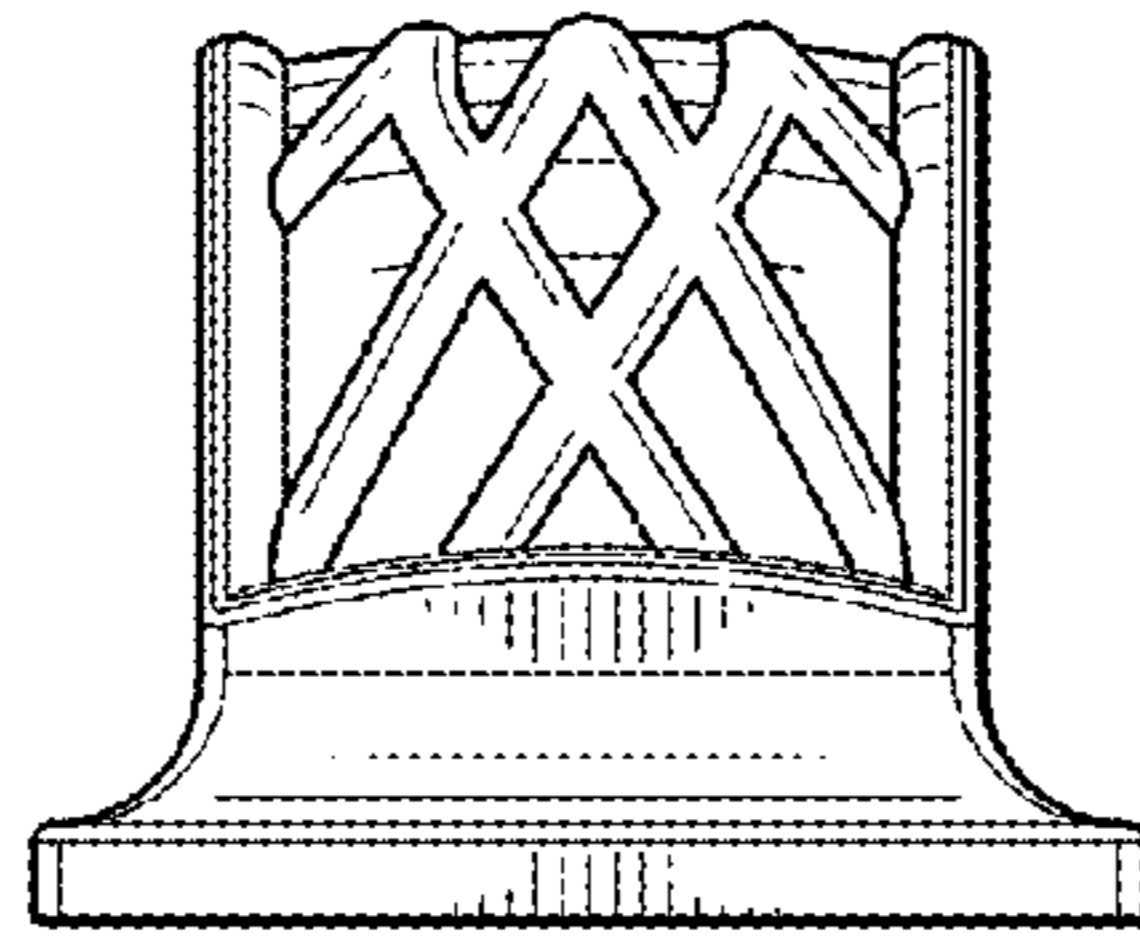


FIG. 3

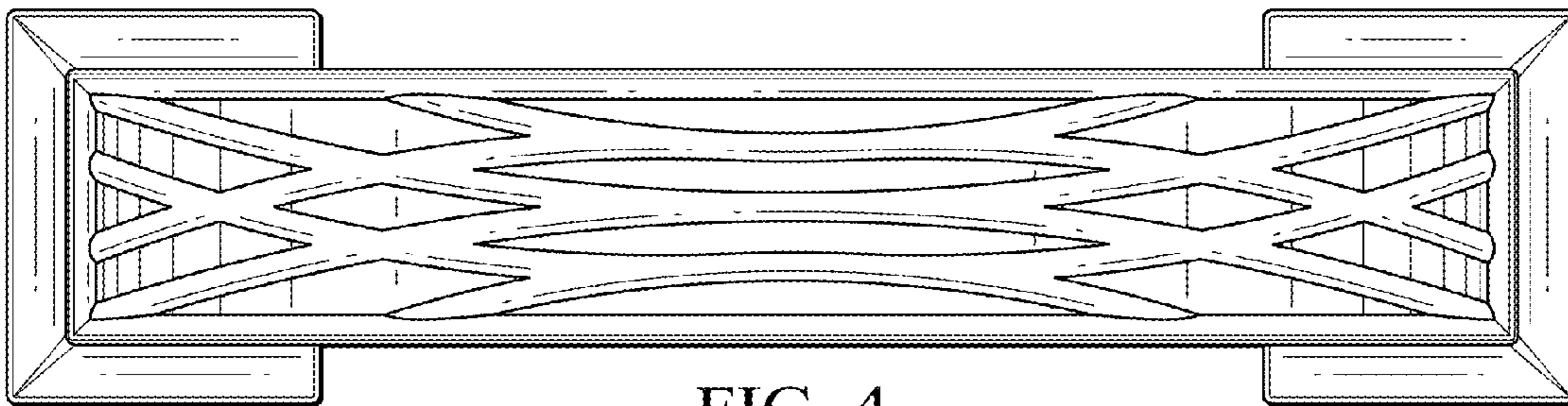


FIG. 4

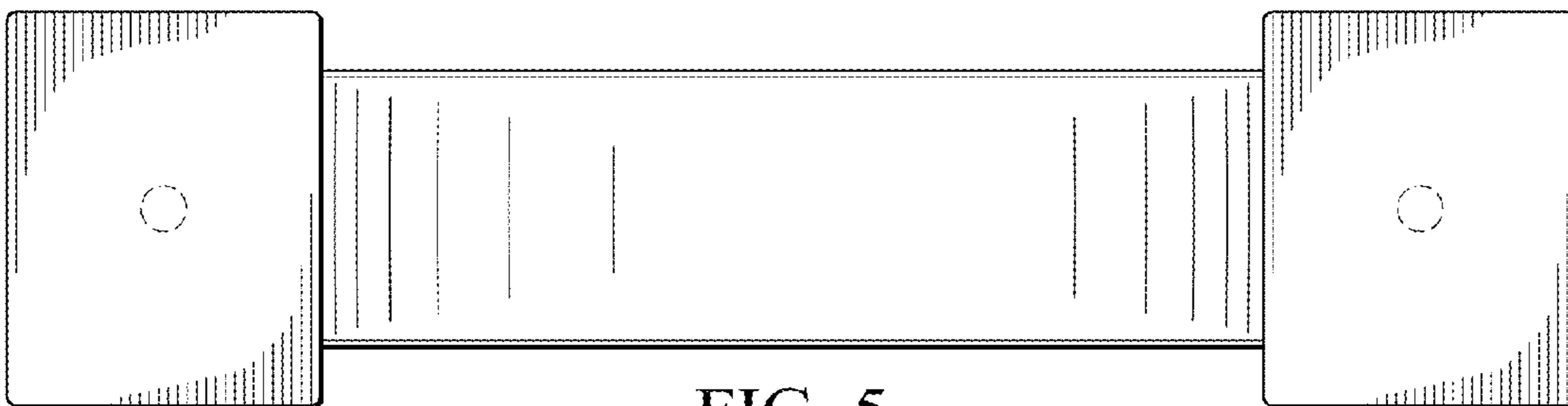


FIG. 5