



US00D708926S

(12) **United States Design Patent**
Han

(10) **Patent No.:** **US D708,926 S**
(45) **Date of Patent:** **** Jul. 15, 2014**

(54) **CABINET HANDLE**

(71) Applicant: **Hardware Resources, Inc.**, Bossier City, LA (US)

(72) Inventor: **Kukjin Han**, High Point, NC (US)

(73) Assignee: **Hardware Resources, Inc.**, Bossier City, LA (US)

(**) Term: **14 Years**

(21) Appl. No.: **29/456,849**

(22) Filed: **Jun. 4, 2013**

(51) **LOC (10) Cl.** **08-06**

(52) **U.S. Cl.**
CPC **E05B 1/00** (2013.01)
USPC **D8/317**

(58) **Field of Classification Search**
CPC E05B 1/00
USPC D8/300, 316, 317, 318, 319, 320,
D8/DIG. 1, DIG. 3; D6/705, 707, 707.14;
16/415, 430; D99/11; 292/336.3
See application file for complete search history.

(56) **References Cited**

U.S. PATENT DOCUMENTS

D189,125 S * 11/1960 Faber D8/317
D194,968 S * 4/1963 Stelma D8/317
D200,953 S * 4/1965 Menzies D8/317

D238,478 S * 1/1976 Clayton D8/317
D342,436 S * 12/1993 Cook et al. D8/317
D403,230 S * 12/1998 Ziemer et al. D8/317
D431,444 S * 10/2000 Short D8/316
D551,056 S * 9/2007 Ricereto D8/317
D552,447 S * 10/2007 Krumpe et al. D8/316
D587,982 S * 3/2009 Mattson et al. D8/317
D588,897 S * 3/2009 Ricereto D8/317
D596,918 S * 7/2009 Menzies D8/315
D600,095 S * 9/2009 Mattson et al. D8/317
D643,277 S * 8/2011 Roe et al. D8/317
D649,005 S * 11/2011 Roe et al. D8/316

* cited by examiner

Primary Examiner — Paula Greene

(74) *Attorney, Agent, or Firm* — Schultz & Associates, P.C.

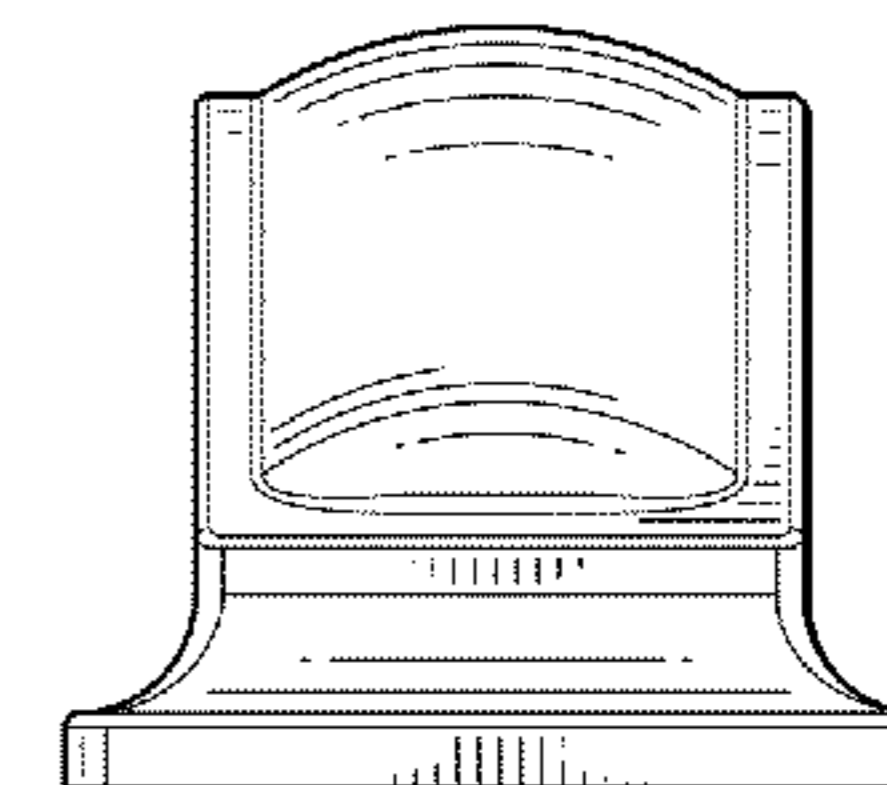
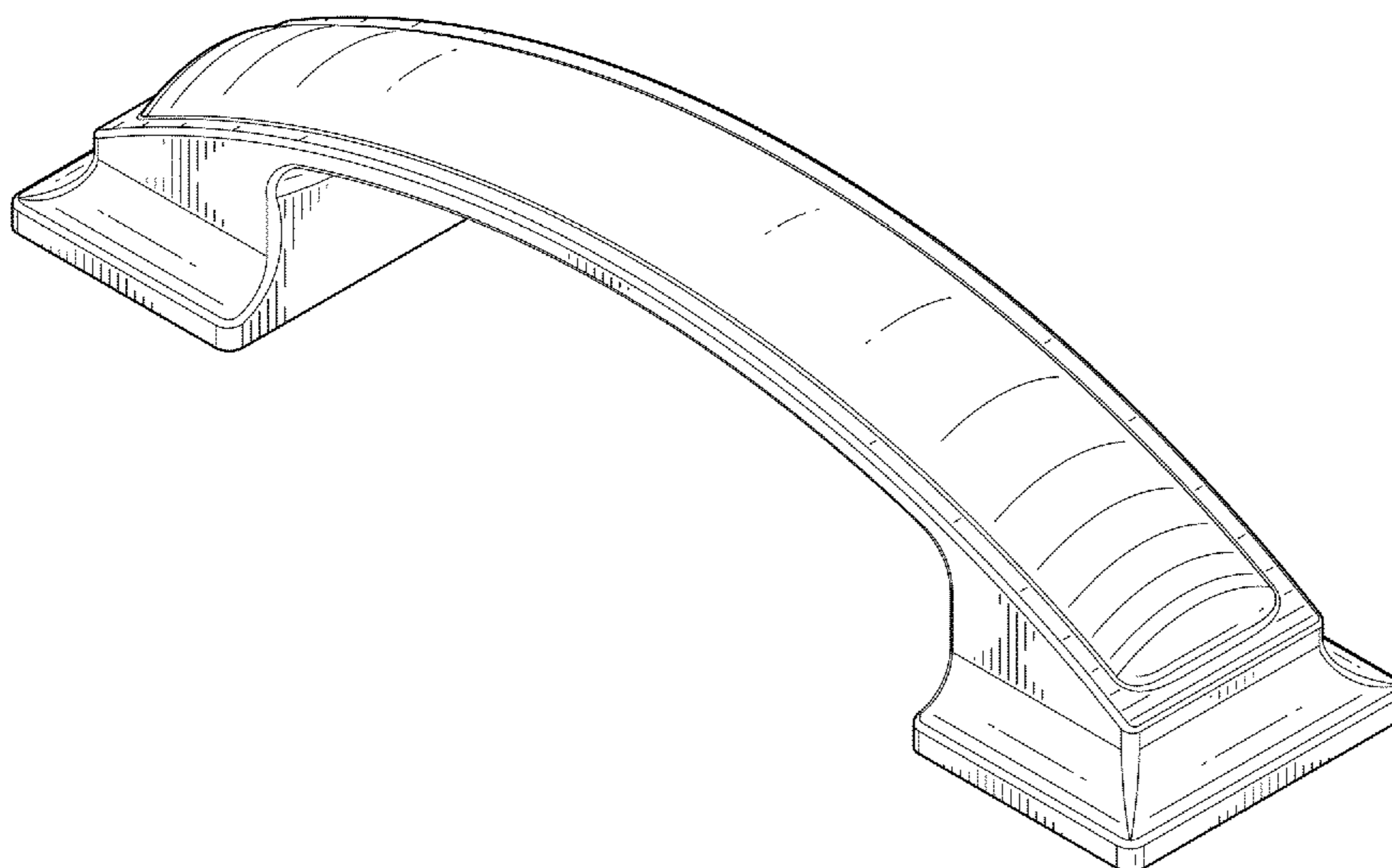
(57) **CLAIM**

The ornamental design for a cabinet handle, as shown and described.

DESCRIPTION

FIG. 1 is a perspective view of a cabinet handle showing my new design;
FIG. 2 is a side elevation view thereof;
FIG. 3 is a side elevation view thereof;
FIG. 4 is a top plan view thereof; and,
FIG. 5 is a bottom plan view thereof.
The broken lines shown represent unclaimed subject matter and form no part of the claimed design.

1 Claim, 2 Drawing Sheets



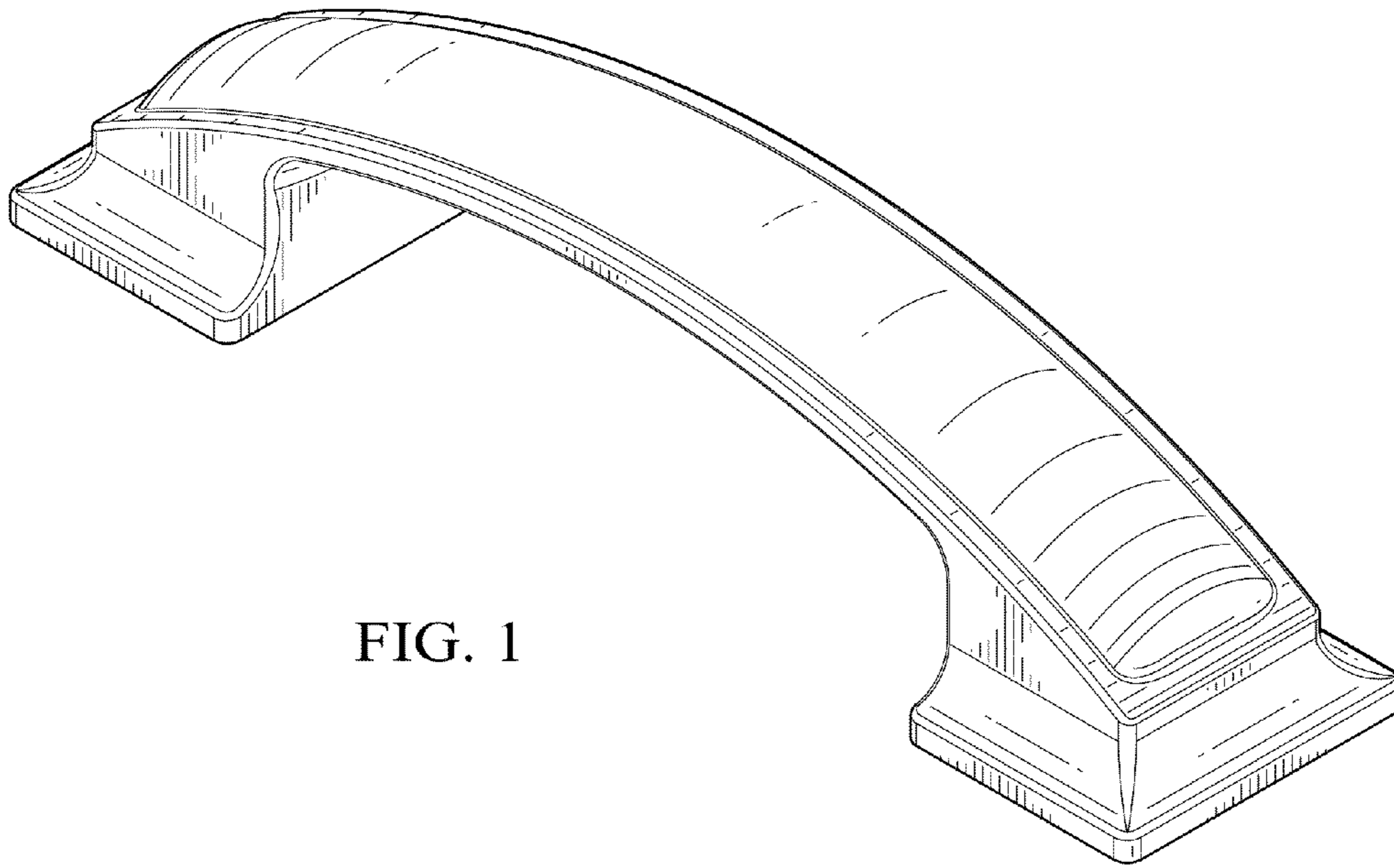


FIG. 1

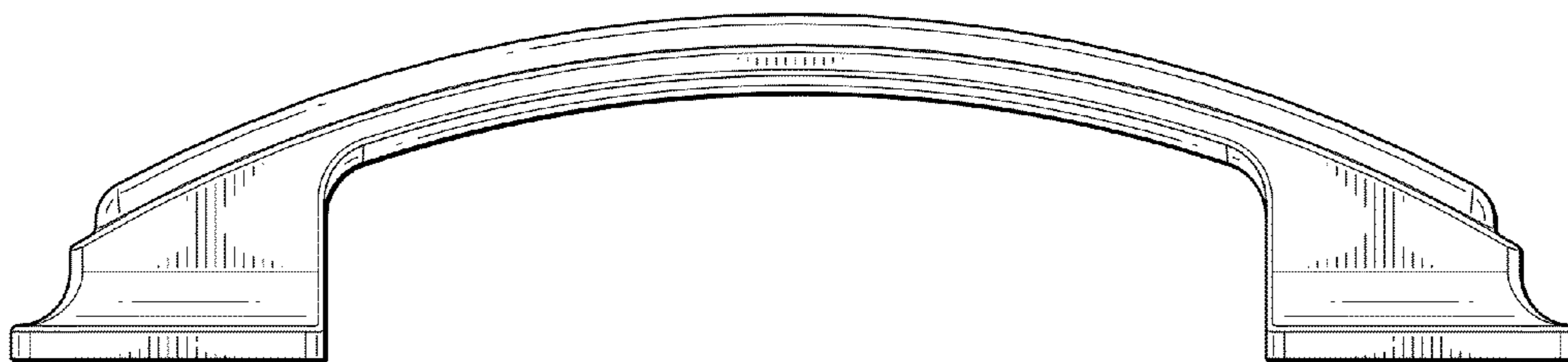


FIG. 2

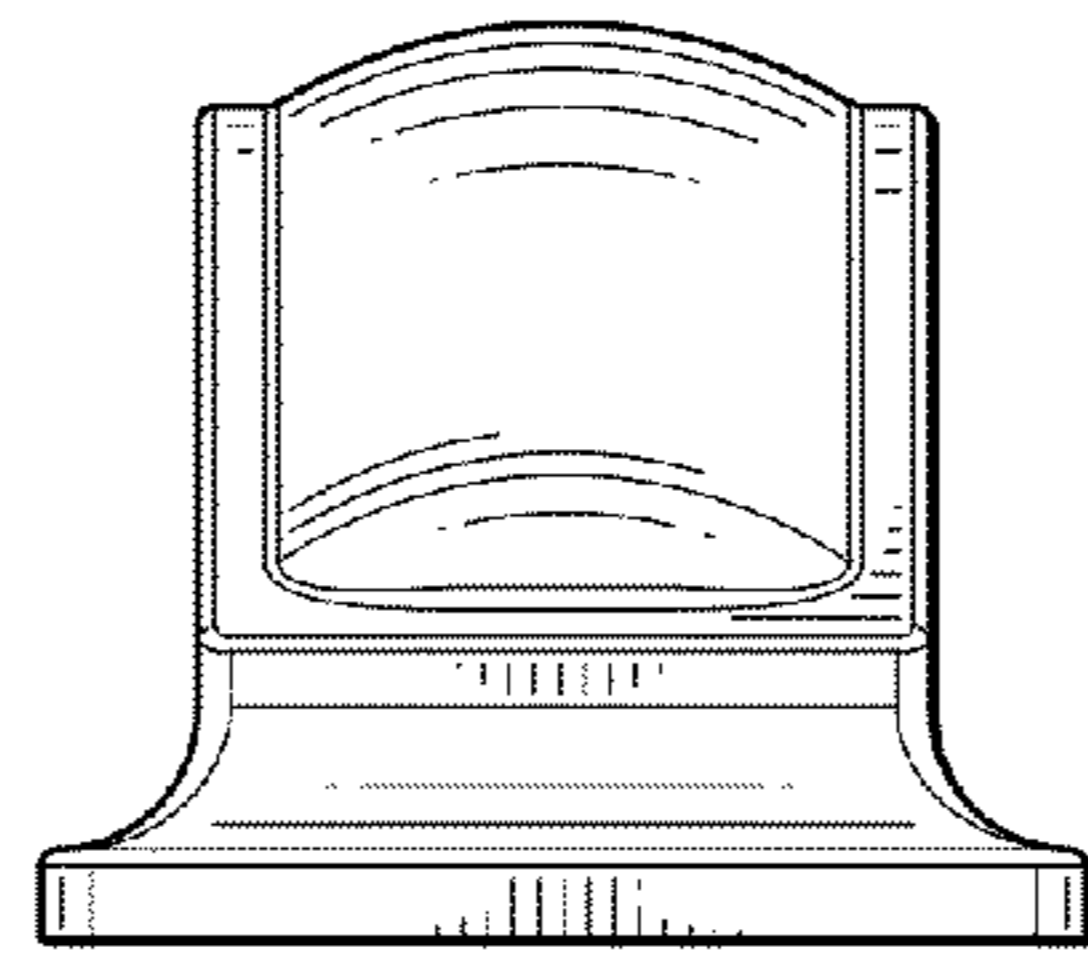


FIG. 3

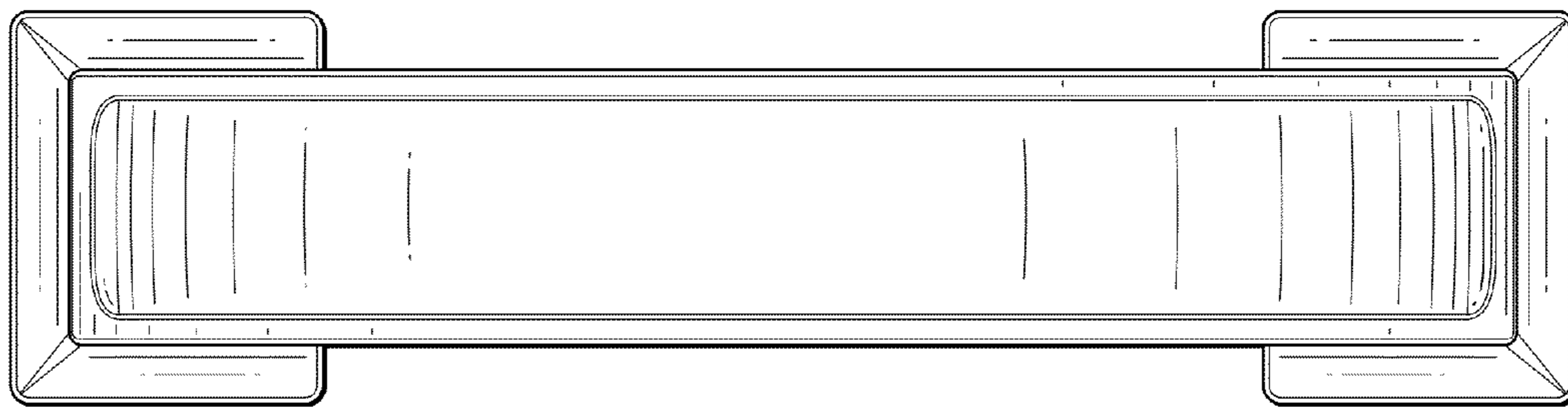


FIG. 4

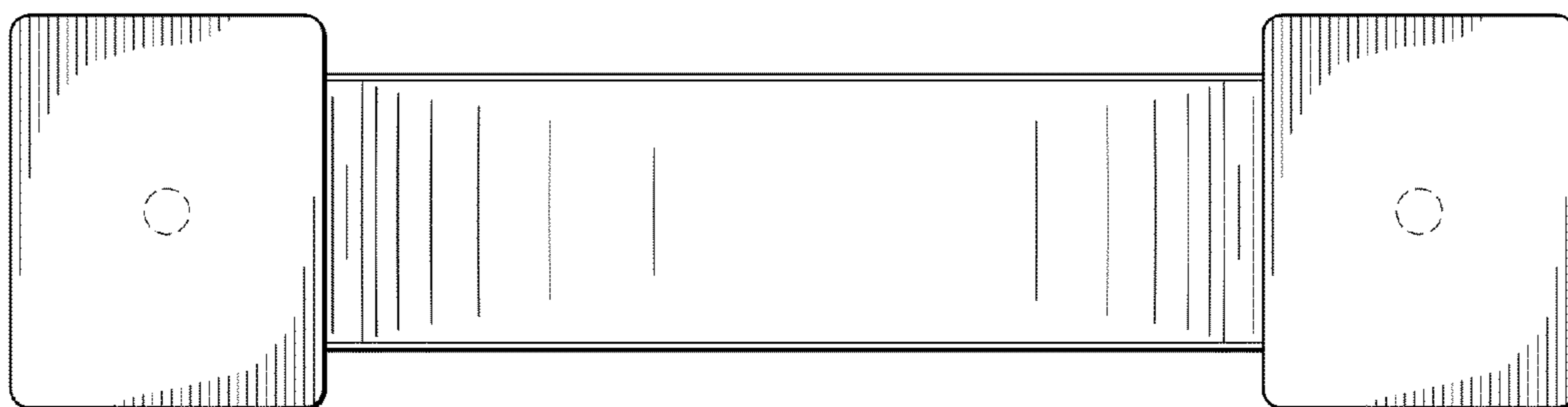


FIG. 5