



US00D708924S

(12) **United States Design Patent**
Kraus et al.

(10) **Patent No.:** **US D708,924 S**
(45) **Date of Patent:** **** Jul. 15, 2014**

(54) **PULL HANDLE WITH INTEGRATED KEYPAD**

(71) Applicant: **TriMark Corporation**, New Hampton, IA (US)

(72) Inventors: **Jason Kraus**, Nashua, IA (US); **Tobias Schwickerath**, New Hampton, IA (US); **Julie M. Houdek**, New Hampton, IA (US); **Anita Reichling**, New Hampton, IA (US); **Eric Wickstrom**, Charles City, IA (US)

(73) Assignee: **TriMark Corporation**, New Hampton, IA (US)

(**) Term: **14 Years**

(21) Appl. No.: **29/454,344**

(22) Filed: **May 9, 2013**

(51) **LOC (10) Cl.** **08-06**

(52) **U.S. Cl.**
USPC **D8/302**

(58) **Field of Classification Search**
CPC E05B 13/105
USPC D8/301, 302, 300, 330, 331; 16/110.1, 16/412, 444; 70/210, 211, 213, 214, 215, 70/216, 217, 220, 278.1; 292/336.3, 280, 292/278.1, 248, DIG. 53, 347; 340/5.54, 340/5.62, 426.28, 426.35, 426.36; 362/501
See application file for complete search history.

(56) **References Cited**

U.S. PATENT DOCUMENTS

4,883,296 A * 11/1989 Laurie 292/336.3
4,936,122 A * 6/1990 Osada 70/214
D365,976 S * 1/1996 Chiu D8/330

D389,723 S * 1/1998 Godard et al. D8/320
D414,397 S * 9/1999 Finkelstein et al. D8/331
6,038,895 A * 3/2000 Menke et al. 70/278.1
6,363,577 B1 * 4/2002 Spitzley 292/336.3
6,378,344 B1 * 4/2002 Gartner 70/278.1
D461,111 S * 8/2002 Gartner D8/301
6,516,641 B1 * 2/2003 Segawa 70/208
6,594,861 B2 * 7/2003 Dimig et al. 16/412
6,612,630 B1 * 9/2003 Meinke 292/348
6,619,083 B2 * 9/2003 Hartel et al. 70/208
D501,783 S * 2/2005 Marzolf et al. D8/300
6,854,870 B2 2/2005 Huizenga
6,880,870 B2 * 4/2005 Costigan 292/336.3
D506,377 S * 6/2005 Marzolf et al. D8/300
7,097,216 B2 * 8/2006 Lane et al. 292/216
7,111,879 B2 * 9/2006 Zweibohmer et al. 292/336.3
7,152,893 B2 * 12/2006 Pudney 292/336.3
7,194,881 B2 3/2007 Kutschat
7,400,232 B2 7/2008 Reichling et al.
7,431,357 B2 * 10/2008 Pudney 292/336.3
7,819,440 B2 * 10/2010 Schwickerath 292/201
D629,275 S 12/2010 Schmidt

(Continued)

Primary Examiner — Paula Greene

(74) *Attorney, Agent, or Firm* — McKee, Voorhees & Sease, P.L.C.

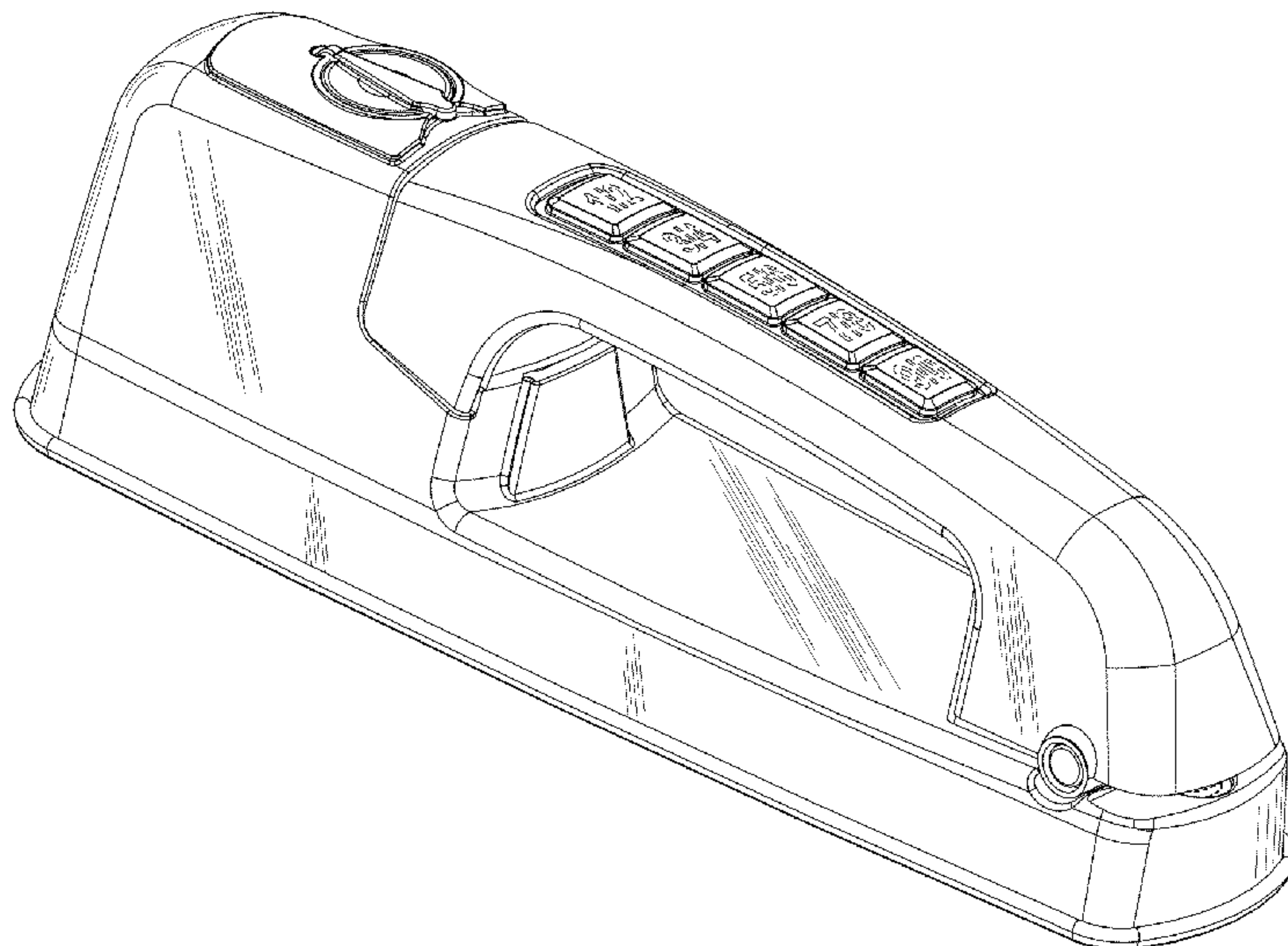
(57) **CLAIM**

The ornamental design for a pull handle with integrated keypad, substantially as shown and described.

DESCRIPTION

FIG. 1 is a perspective view of the pull handle with the integrated keypad according to the present invention. FIG. 2 is a top plan view of the handle. FIG. 3 is a side elevational view of the handle; FIG. 4 is an opposite side elevational view of the handle; FIG. 5 is an end elevational view of the handle; and, FIG. 6 is an opposite end elevational view of the handle. The broken lines form no part of the claimed design.

1 Claim, 3 Drawing Sheets



US D708,924 S

Page 2

(56)

References Cited

U.S. PATENT DOCUMENTS

7,911,321 B2 3/2011 Bingle et al.
8,042,845 B2 * 10/2011 Tanimoto et al. 292/336.3
D679,166 S * 4/2013 Stuckey et al. D8/302

2003/0122556 A1 * 7/2003 Sueyoshi et al. 324/686
2006/0065027 A1 * 3/2006 Valentine 70/278.1
2008/0001415 A1 * 1/2008 Cummins et al. 292/336.3
2010/0088855 A1 * 4/2010 Ruse et al. 16/412

* cited by examiner

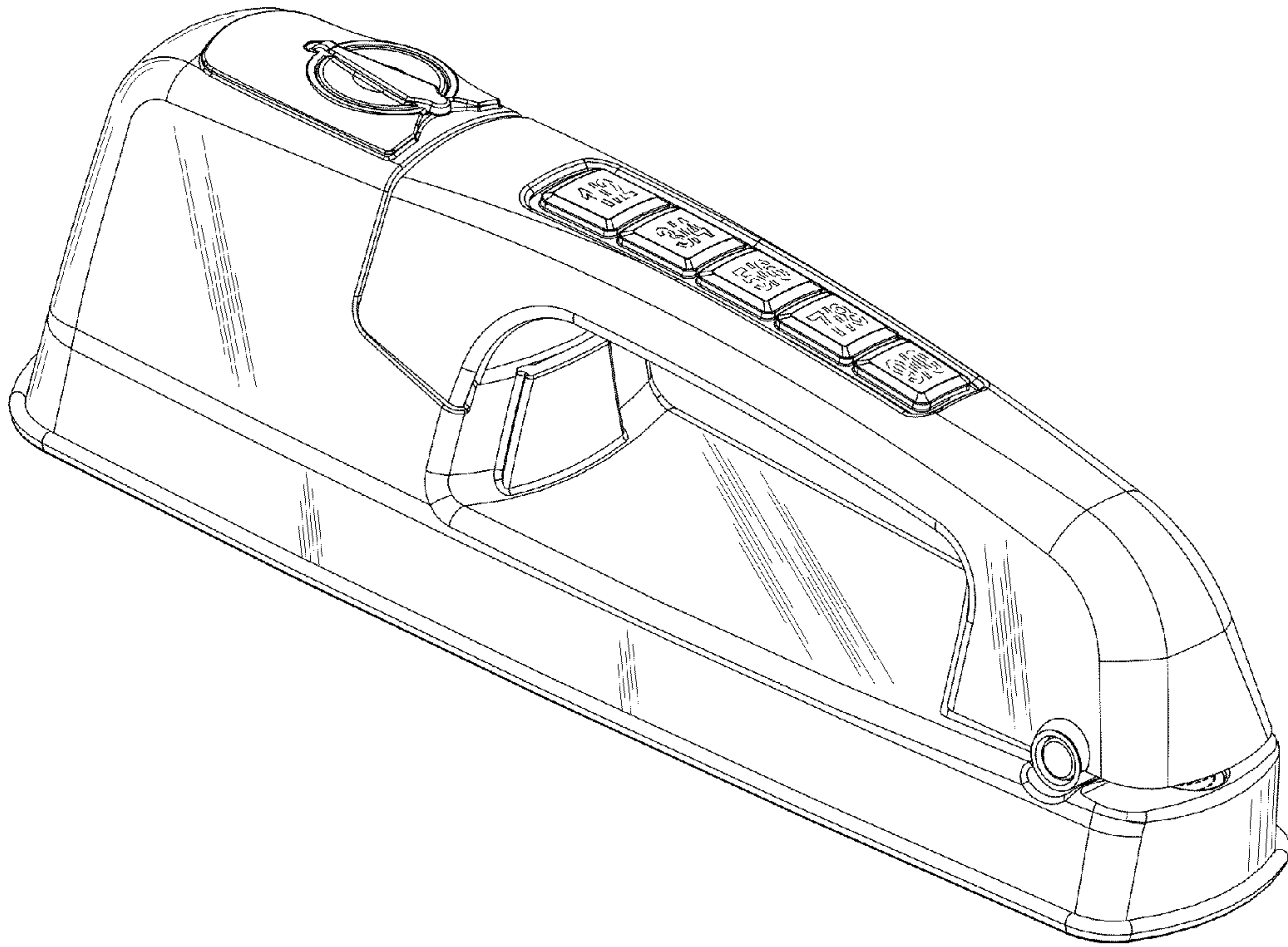


Fig. 1

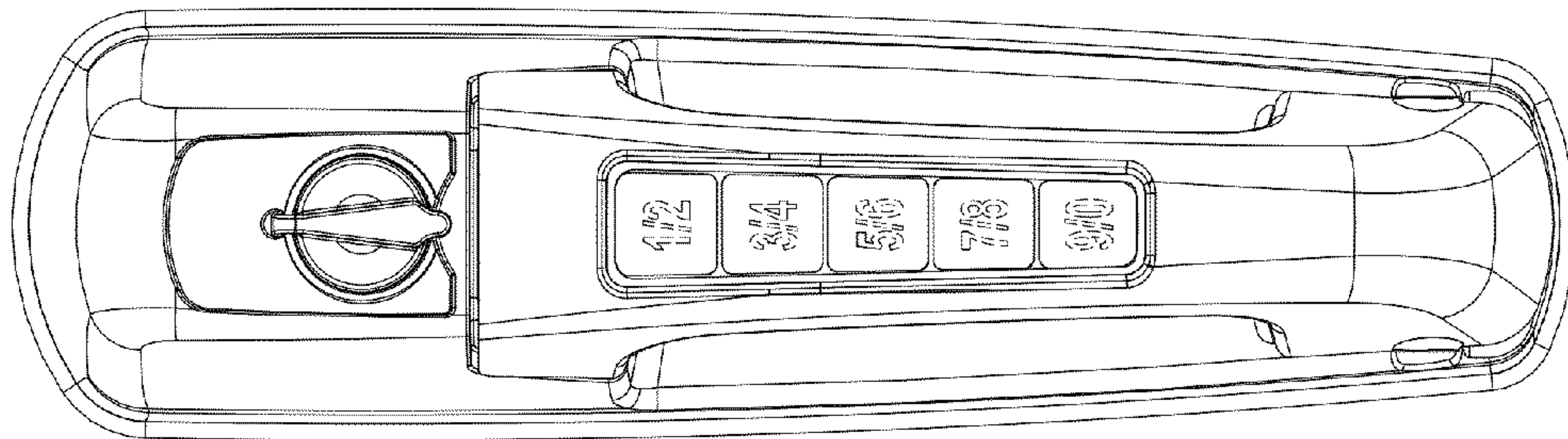


Fig. 2

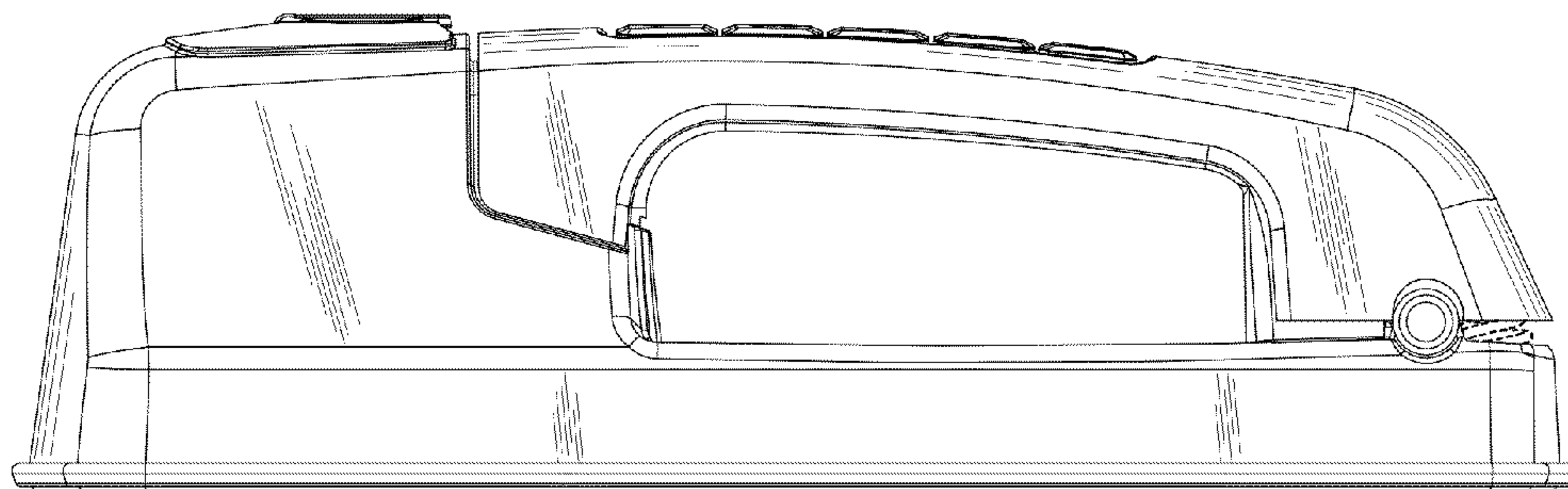


Fig. 3

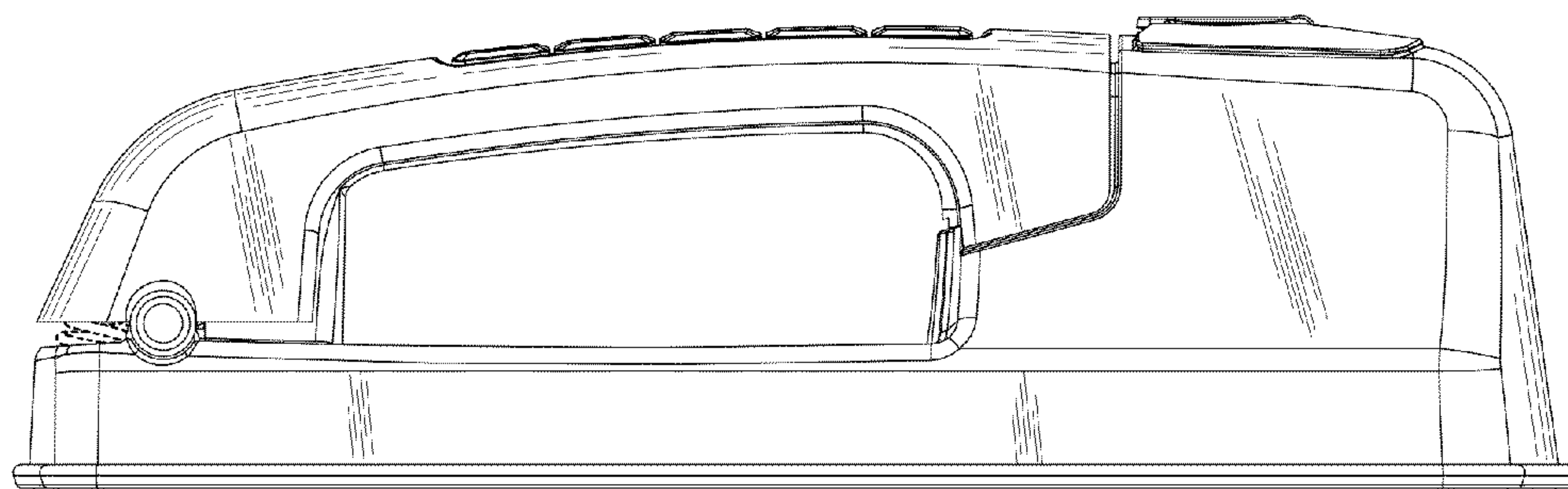


Fig. 4

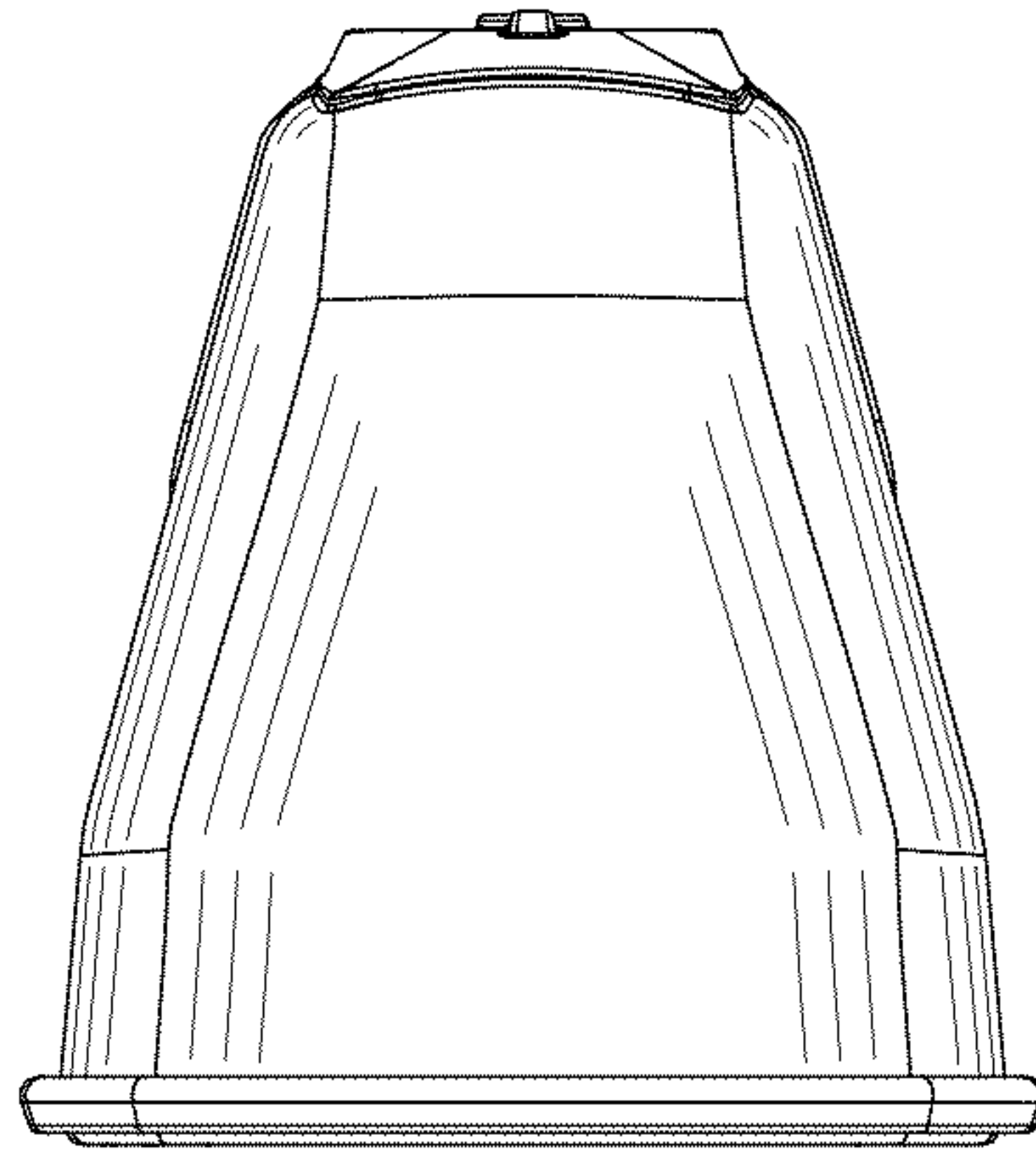


Fig. 5

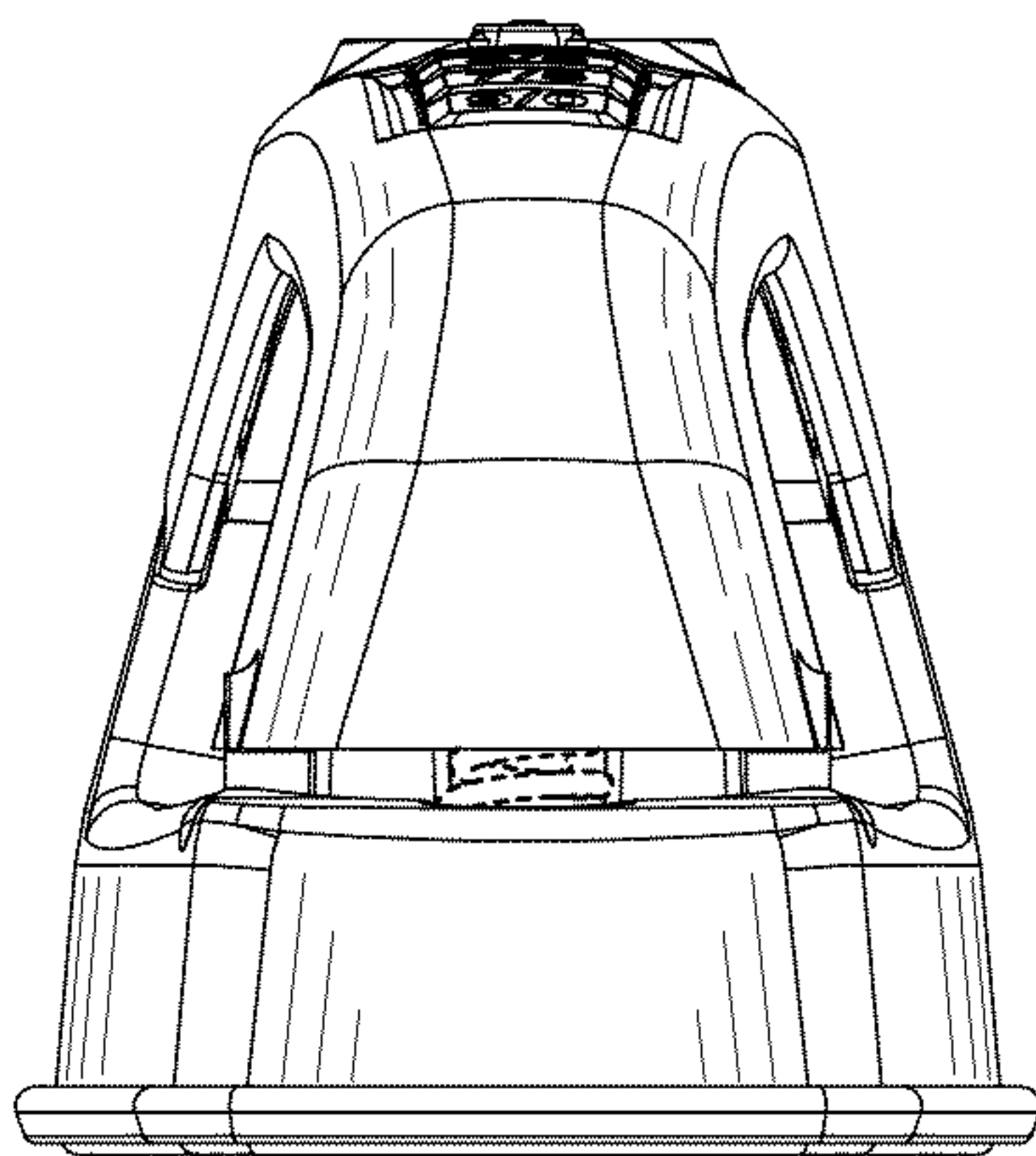


Fig. 6