



US00D708922S

(12) **United States Design Patent**  
**Evans**

(10) **Patent No.:** **US D708,922 S**  
(45) **Date of Patent:** **\*\* \*Jul. 15, 2014**

(54) **TOOL SHARPENING APPARATUS FOR CHISEL AND PLANE BLADES**

(76) Inventor: **Gervase Lionel Thorngate Evans,**  
Salisbury (GB)

(\* ) Notice: This patent is subject to a terminal disclaimer.

(\*\*) Term: **14 Years**

(21) Appl. No.: **29/379,380**

(22) Filed: **Nov. 18, 2010**

(30) **Foreign Application Priority Data**

May 21, 2010 (EM) ..... 001710740-0001

(51) **LOC (10) Cl.** ..... **08-05**

(52) **U.S. Cl.**  
USPC ..... **D8/91**

(58) **Field of Classification Search**  
USPC ..... D8/62, 63, 90-92; 451/11, 45, 65, 312,  
451/321, 367, 369-370  
See application file for complete search history.

(56) **References Cited**

**U.S. PATENT DOCUMENTS**

|           |      |        |                |       |         |
|-----------|------|--------|----------------|-------|---------|
| 1,026,623 | A *  | 5/1912 | Caswell        | ..... | 451/321 |
| 2,128,591 | A *  | 8/1938 | McGill         | ..... | 451/321 |
| 2,902,801 | A *  | 9/1959 | Callaghan      | ..... | 451/369 |
| 3,336,699 | A *  | 8/1967 | Moberg         | ..... | 451/65  |
| 3,950,899 | A *  | 4/1976 | Gilbert        | ..... | 451/370 |
| 5,527,208 | A *  | 6/1996 | Blake et al.   | ..... | 451/367 |
| 6,030,281 | A *  | 2/2000 | Cozzini et al. | ..... | 451/320 |
| 7,056,195 | B2 * | 6/2006 | Evans          | ..... | 451/45  |
| 7,104,876 | B1 * | 9/2006 | Lin            | ..... | 451/312 |
| D539,111  | S *  | 3/2007 | Cardew et al.  | ..... | D8/91   |
| 7,335,093 | B1 * | 2/2008 | Stanley        | ..... | 451/367 |

|              |      |         |         |       |         |
|--------------|------|---------|---------|-------|---------|
| 7,338,351    | B2 * | 3/2008  | Evans   | ..... | 451/45  |
| 7,387,562    | B1 * | 6/2008  | Blum    | ..... | 451/45  |
| 7,549,910    | B2 * | 6/2009  | Stanley | ..... | 451/45  |
| 2005/0176355 | A1 * | 8/2005  | Tarris  | ..... | 451/367 |
| 2007/0249269 | A1 * | 10/2007 | Swartz  | ..... | 451/367 |
| 2009/0004956 | A1 * | 1/2009  | Smith   | ..... | 451/371 |
| 2009/0088053 | A1 * | 4/2009  | Hummel  | ..... | 451/380 |

**OTHER PUBLICATIONS**

Sharpening Guide. <http://www.woodcraft.com/Product/2003111/533/Chisel-and-Plane-Blade-Sharpener-Guide.aspx>; downloaded Mar. 26, 2011.\*

Sharp Edge. snagged at <http://chiselsharpener.co.uk/shop/1092-easy-plane-blade-sharpener-aid.html> on Mar. 26, 2011.\*

Sharpening Tools. <http://store.cbtoolgroup.com/sharpening-tools-c584.aspx>; downloaded Mar. 26, 2011.\*

\* cited by examiner

*Primary Examiner* — Philip S Hyder

*Assistant Examiner* — Roselynn Ulm Cody

(74) *Attorney, Agent, or Firm* — Davis & Bujold, P.L.L.C.

(57) **CLAIM**

I claim the ornamental design for a tool sharpening apparatus for chisel and plane blades, as shown and described.

**DESCRIPTION**

FIG. 1 is a top, front, left side perspective view of my tool sharpening apparatus for chisel and plane blades;

FIG. 2 is a right side elevational view thereof, the left side elevational view being a mirror image thereof;

FIG. 3 is a front elevational view of FIG. 1;

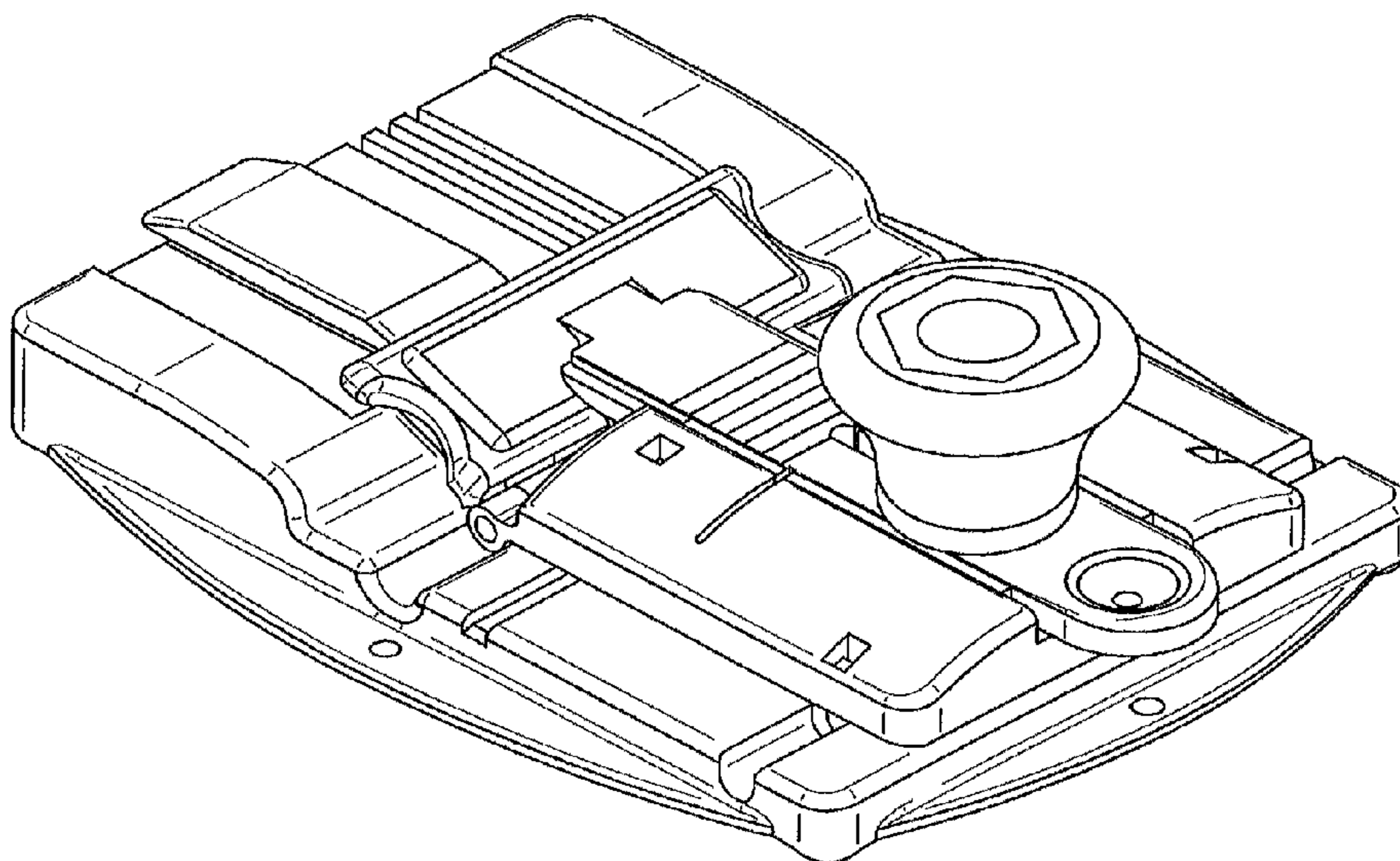
FIG. 4 is a rear elevational view of FIG. 1;

FIG. 5 is a top plan view of FIG. 1; and,

FIG. 6 is bottom plan view of FIG. 1.

The broken lines in the FIG. 4 illustrate portions of the design that form no part of the claim.

**1 Claim, 3 Drawing Sheets**



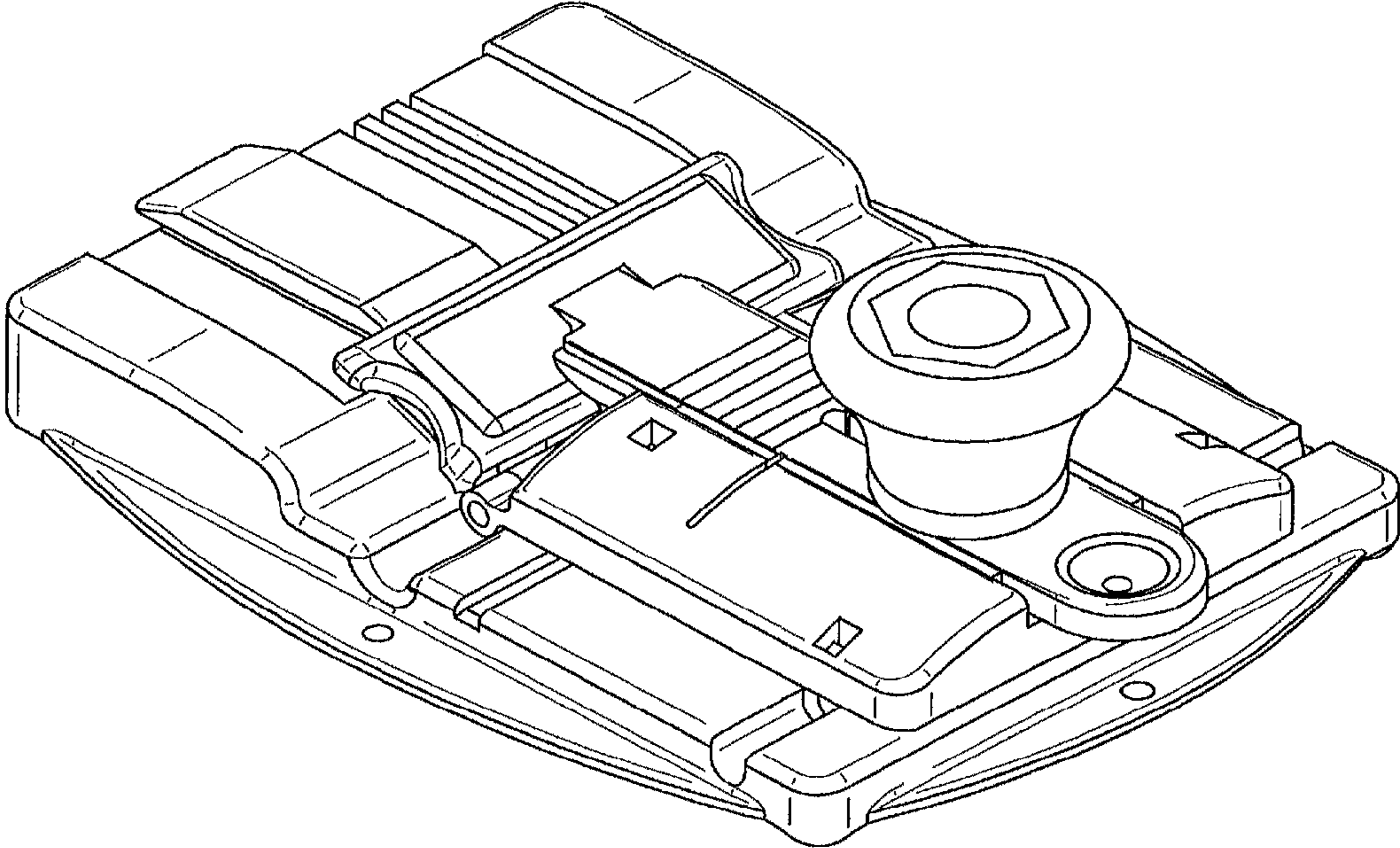


FIG. 1

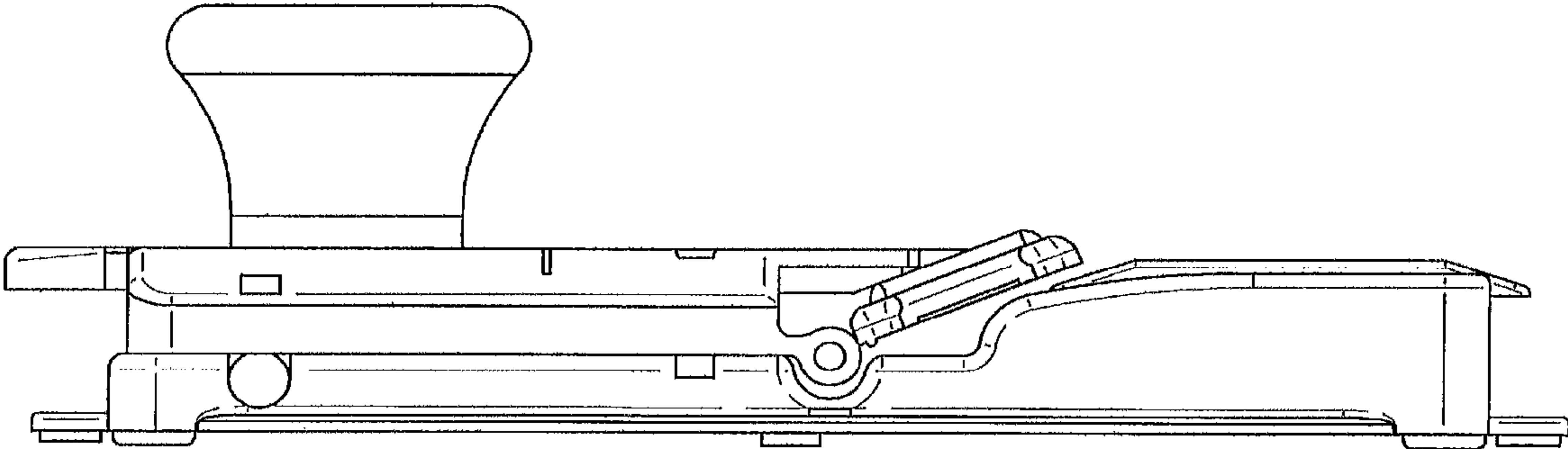


FIG. 2

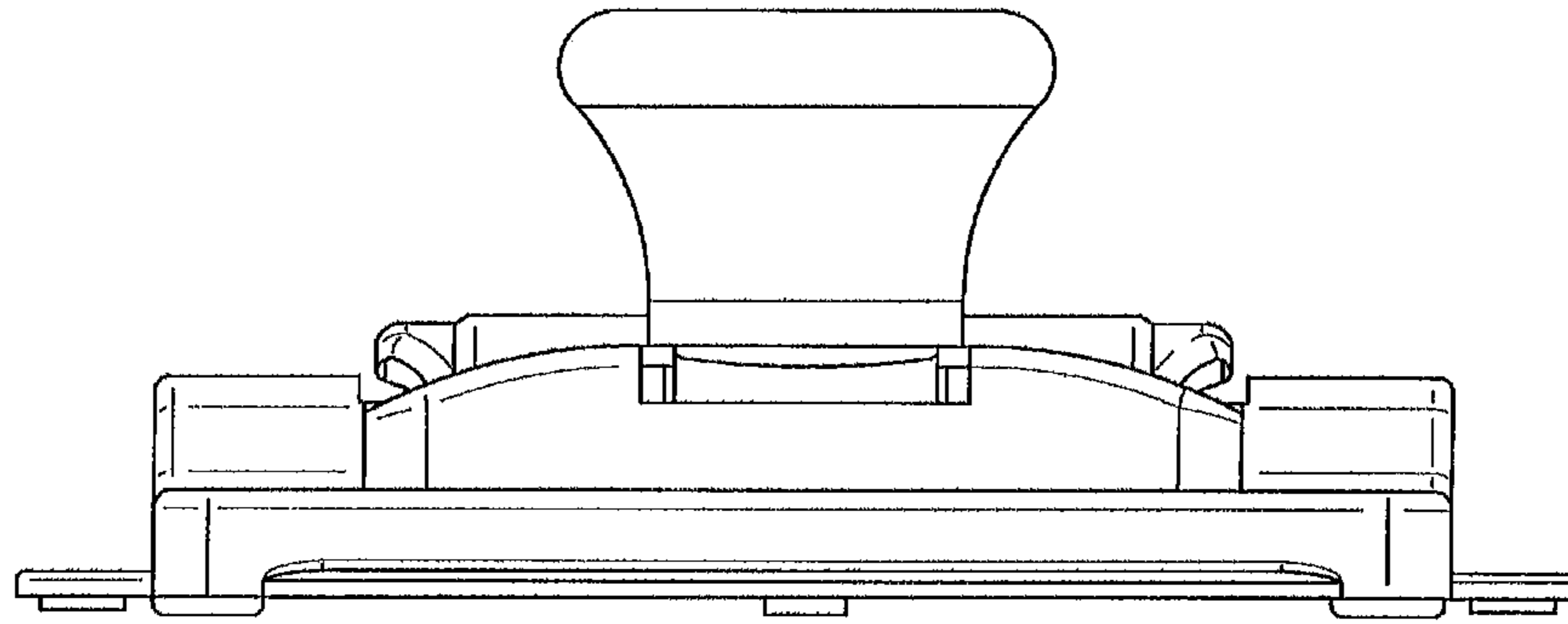


FIG.3

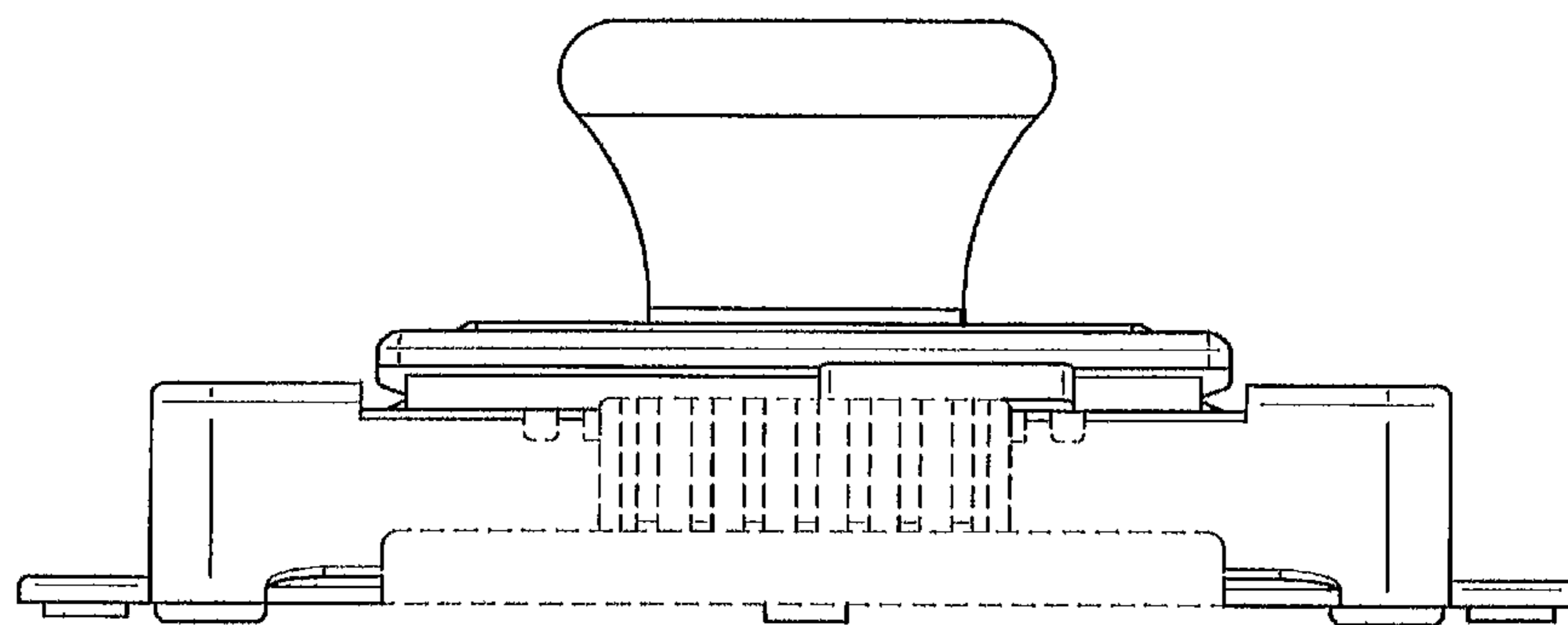
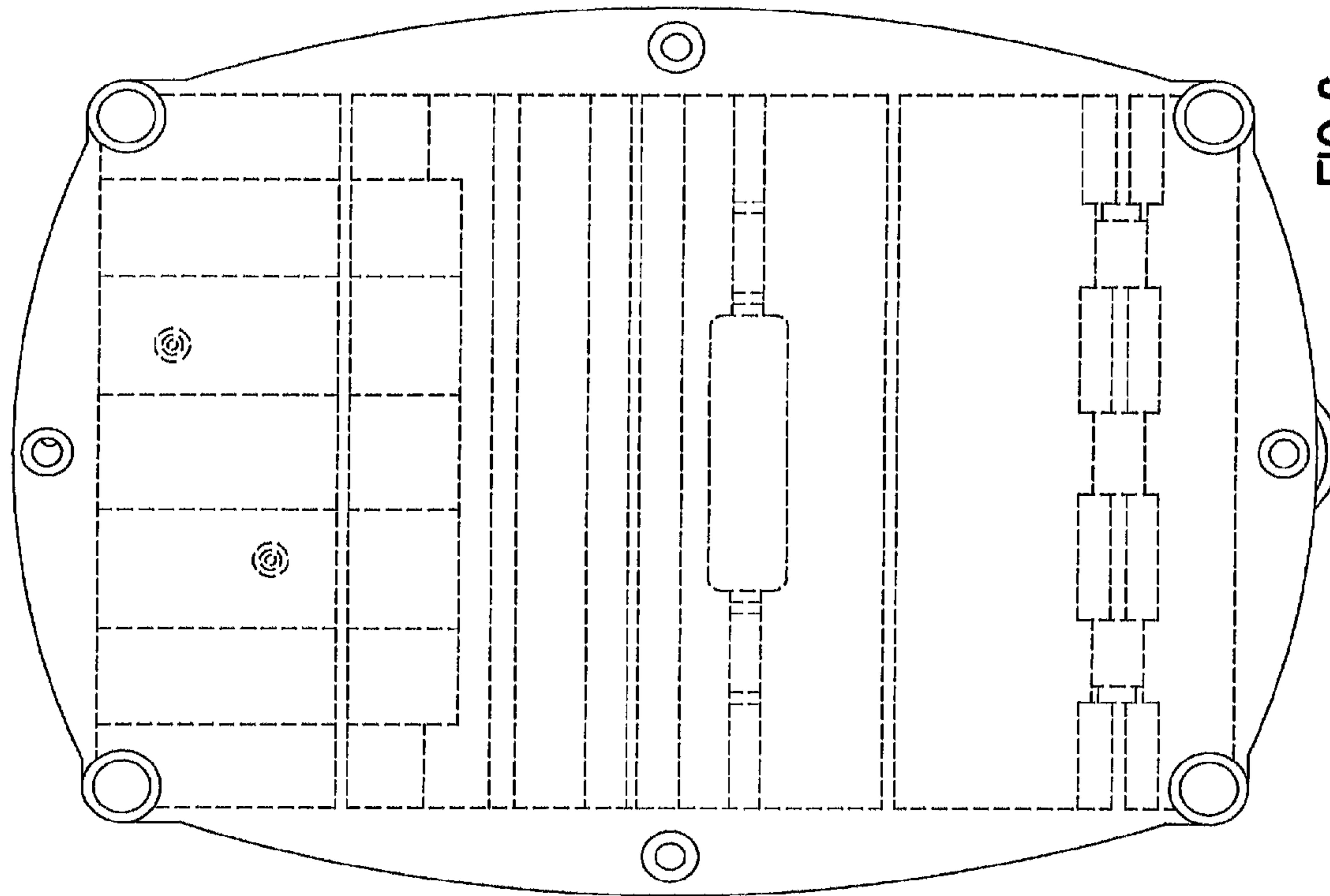
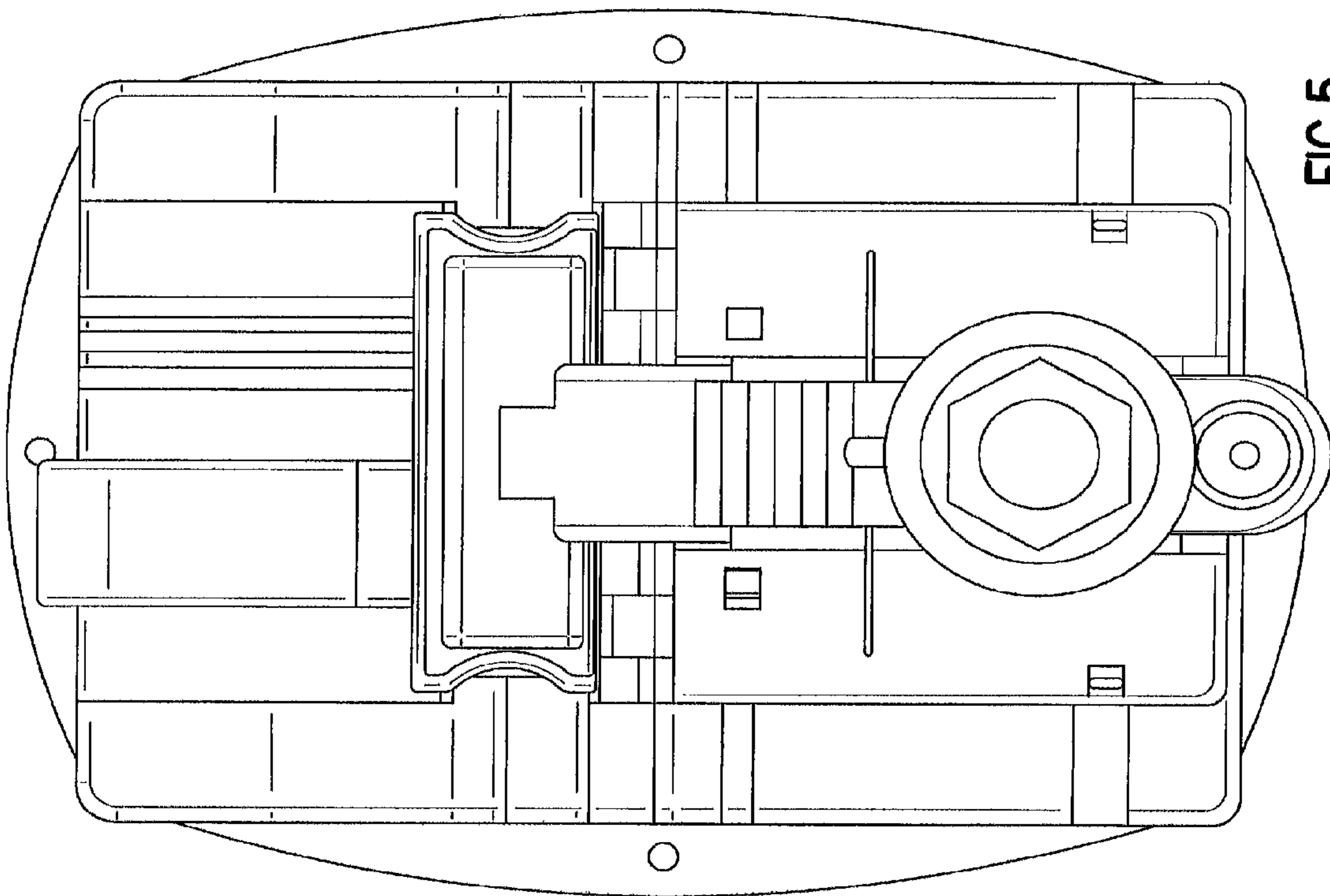


FIG.4



**FIG. 6**



**FIG. 5**