



US00D708921S

(12) **United States Design Patent**
Hoare et al.

(10) **Patent No.:** **US D708,921 S**
(45) **Date of Patent:** **** Jul. 15, 2014**

(54) **CONICAL BURR GRINDER**

(56) **References Cited**

(71) Applicant: **Breville Pty Limited**, Botany (AU)

U.S. PATENT DOCUMENTS

(72) Inventors: **Richard Hoare**, Lane Cove (AU); **David Davenport**, Lane Cove (AU)

D89,363	S	*	2/1933	Streckfuss	D7/665
D323,963	S	*	2/1992	Bunyea	D8/62
D339,502	S	*	9/1993	Kamiyama	D7/384
D363,411	S	*	10/1995	Mock et al.	D7/372
D437,523	S	*	2/2001	Glucksman et al.	D7/373
D498,399	S	*	11/2004	Wu	D8/62
D653,905	S	*	2/2012	Bodum	D7/373
D658,023	S	*	4/2012	Yamamoto et al.	D8/62
2002/0153438	A1	*	10/2002	Glucksman et al.	241/36
2013/0001339	A1	*	1/2013	Hoare et al.	241/33

(73) Assignee: **Breville Pty Limited**, Botany, New South Wales (AU)

(**) Term: **14 Years**

* cited by examiner

(21) Appl. No.: **29/455,635**

(22) Filed: **May 22, 2013**

Primary Examiner — Austin Murphy

(74) *Attorney, Agent, or Firm* — Molins & Co. Pty. Ltd.

Related U.S. Application Data

(57) **CLAIM**

The ornamental design for an conical burr grinder, as shown and described.

(62) Division of application No. 29/368,586, filed on Aug. 26, 2010, now abandoned.

(51) **LOC (10) Cl.** **08-01**

(52) **U.S. Cl.**
USPC **D8/62; D7/372**

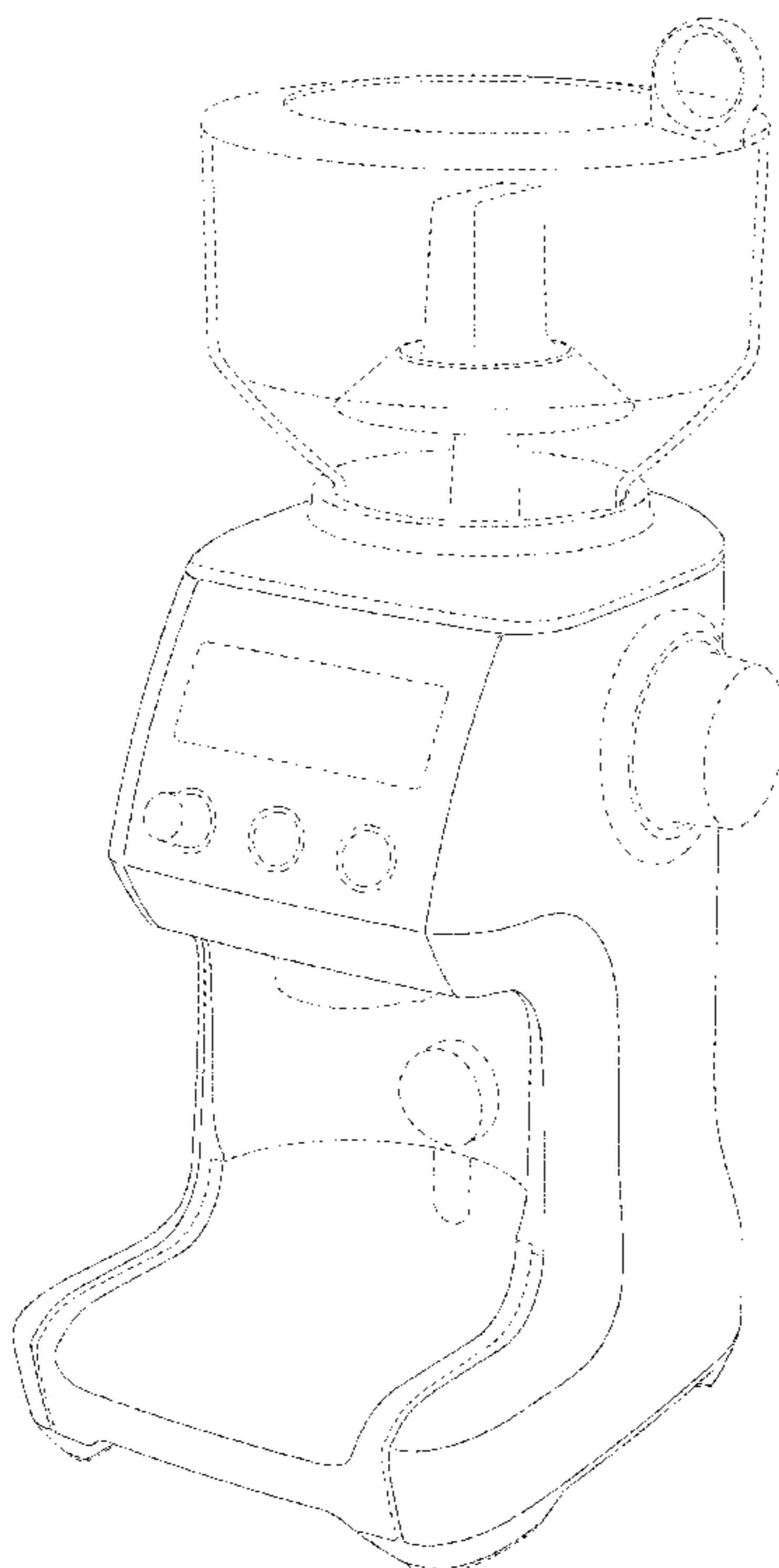
(58) **Field of Classification Search**
USPC D32/15, 17, 19; D8/67, 62, 61; D4/102;
451/456, 451, 359, 358, 357, 356, 355,
451/354, 353, 351, 344; 310/50; 349/96,
349/158; D9/756, 434, 418, 752, 721, 711,
D9/607, 600, 501; D6/518, 509; D7/351,
D7/373

DESCRIPTION

FIG. 1 is a front perspective view of an conical burr grinder showing my new design;
FIG. 2 is a rear perspective view thereof;
FIG. 3 is a left side view thereof;
FIG. 4 is a front view thereof;
FIG. 5 is a right side view thereof;
FIG. 6 is a back view thereof;
FIG. 7 is a to plan view thereof; and,
FIG. 8 is a bottom plan view thereof.
The broken lines shown in the drawings are for illustrative purposes only and form no part of the claimed design.

See application file for complete search history.

1 Claim, 8 Drawing Sheets



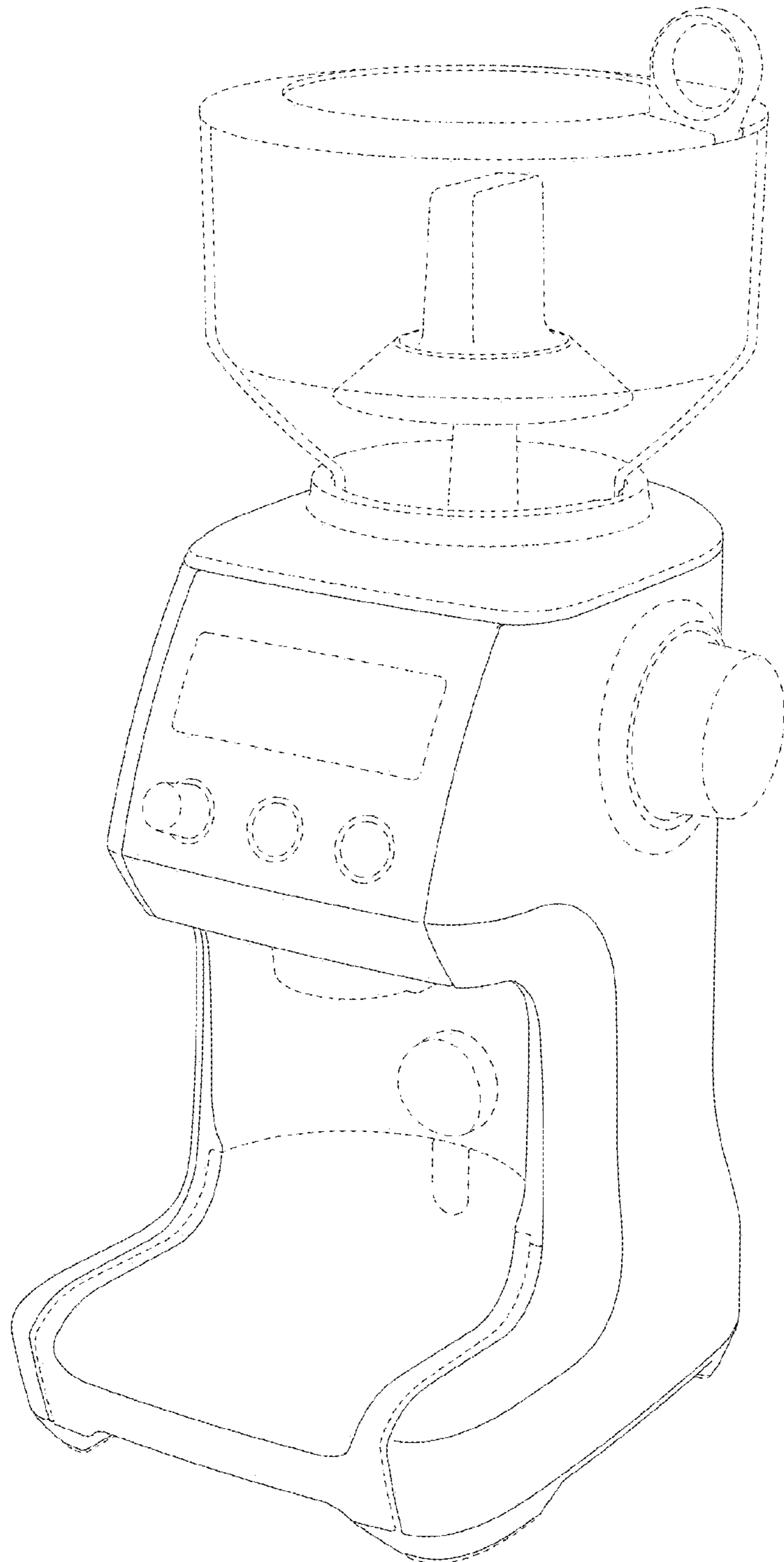


FIGURE 1

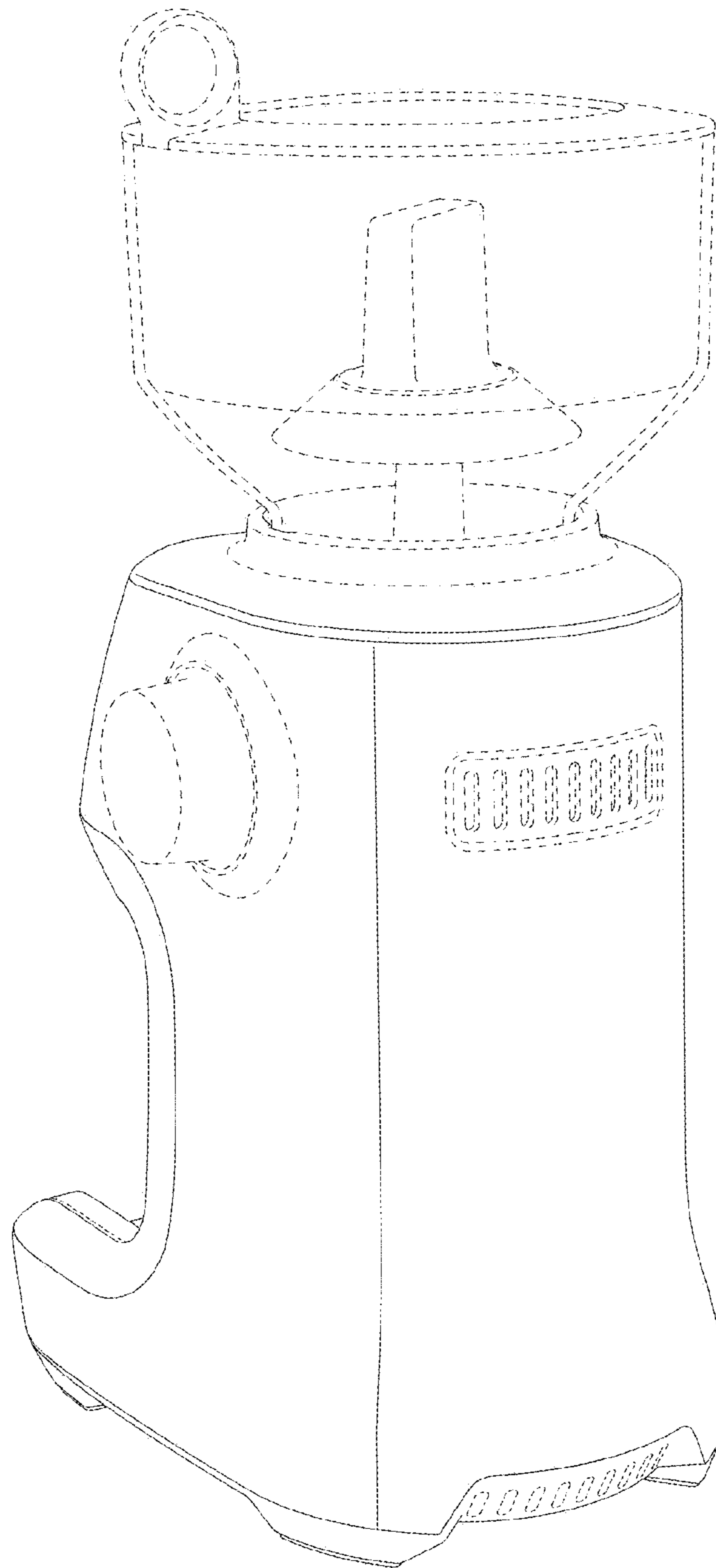


FIGURE 2

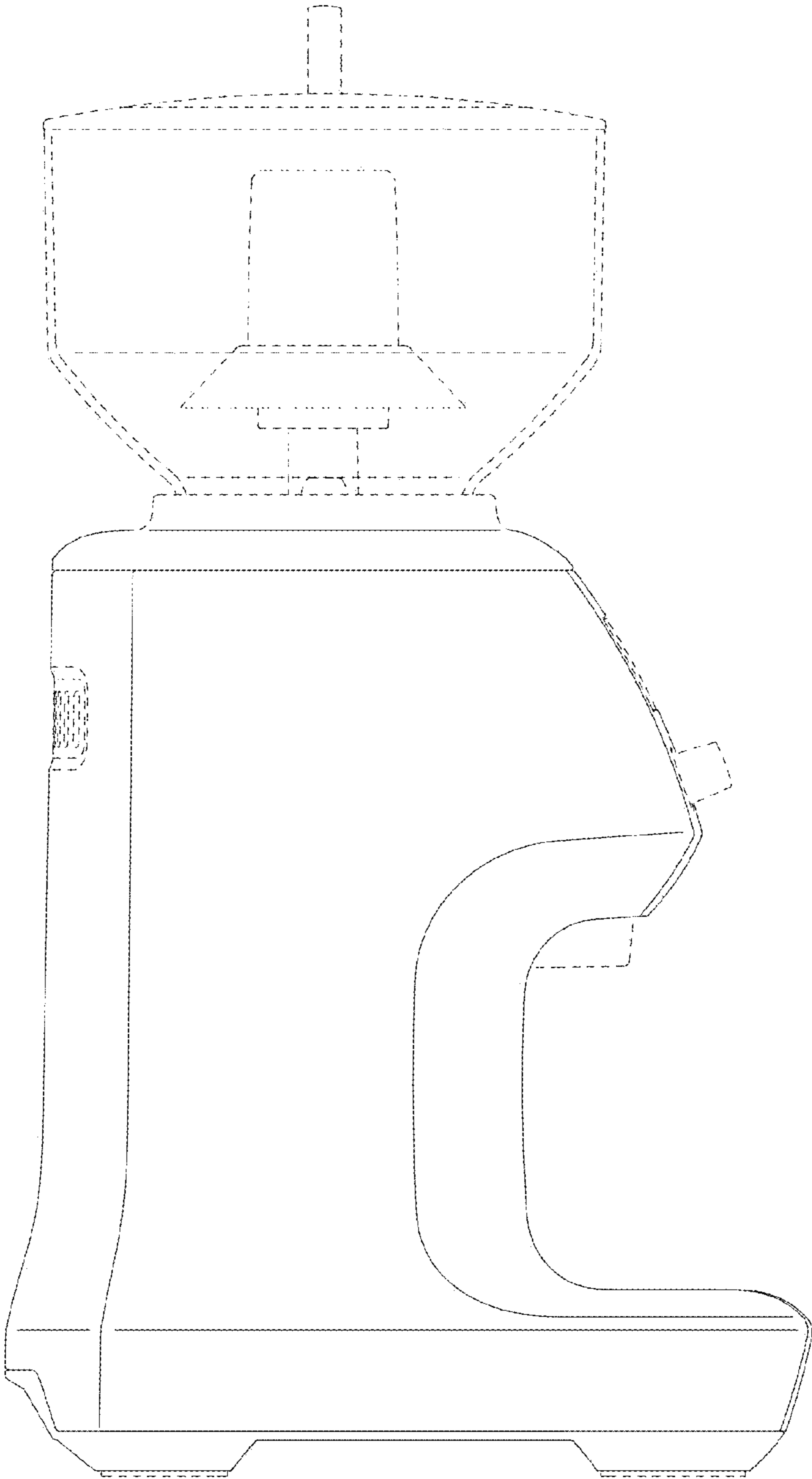


FIGURE 3

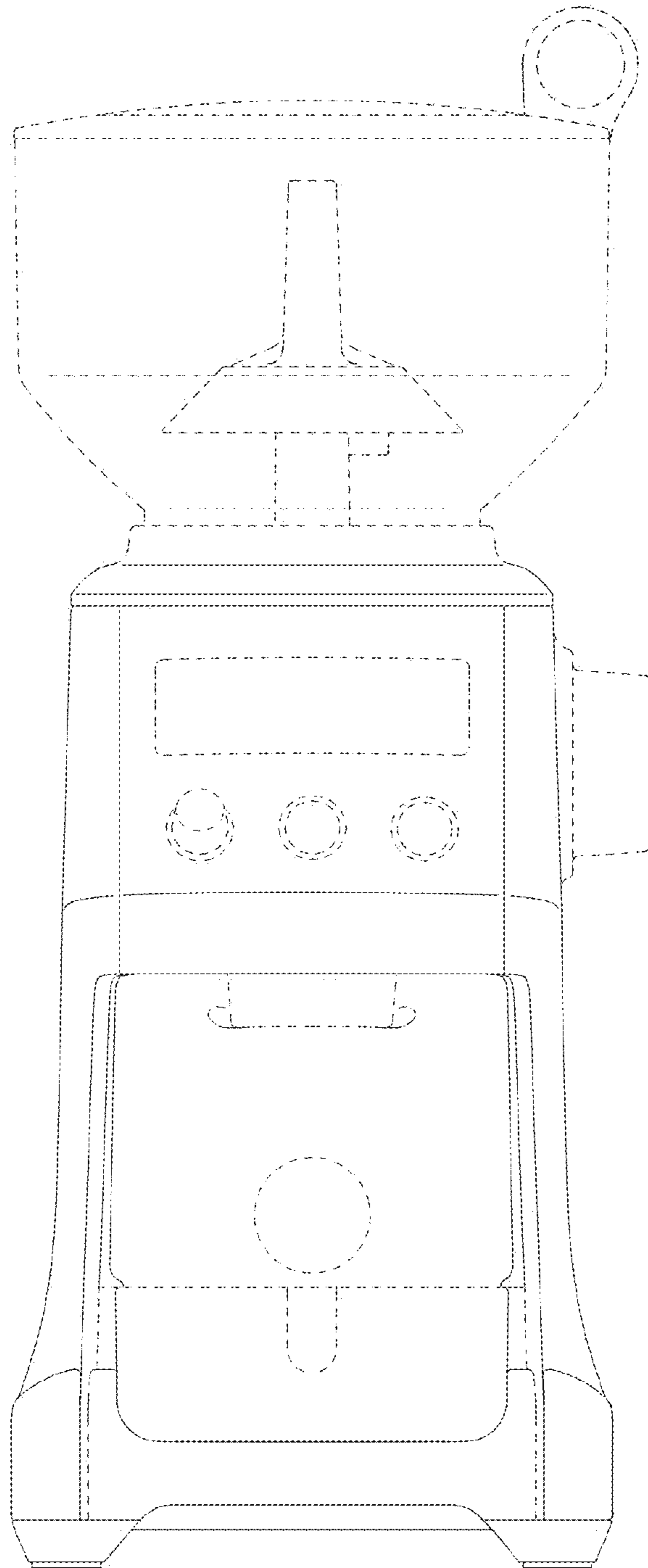


FIGURE 4

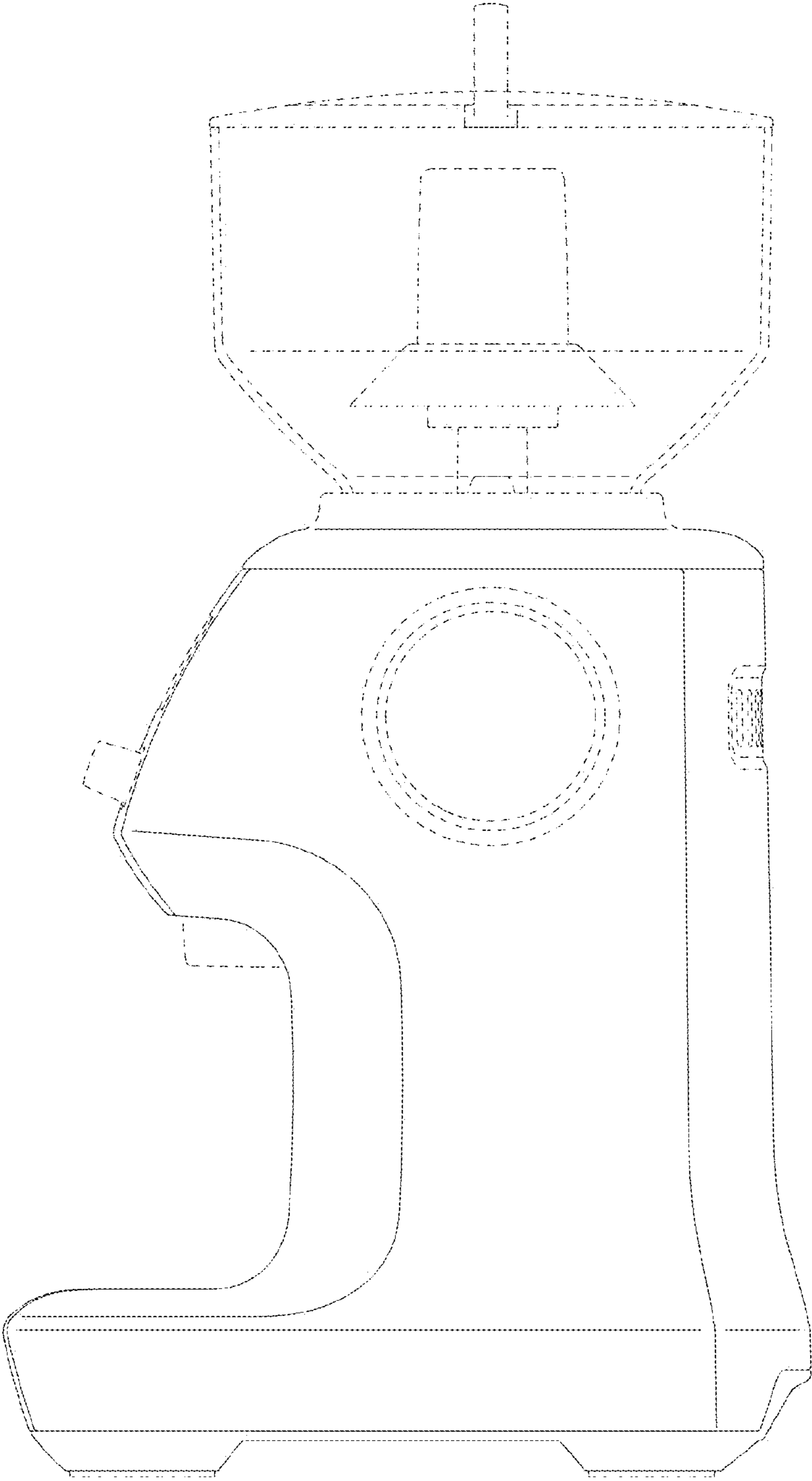


FIGURE 5

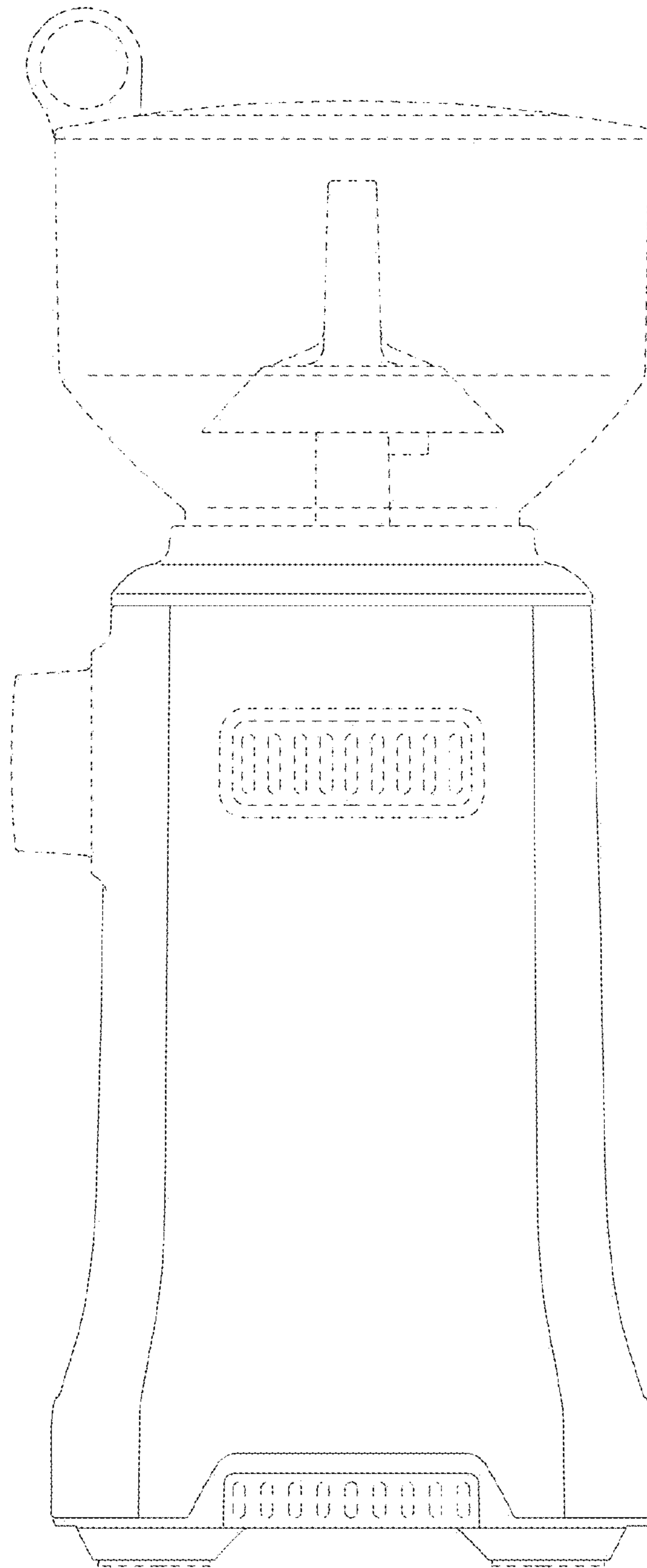


FIGURE 6

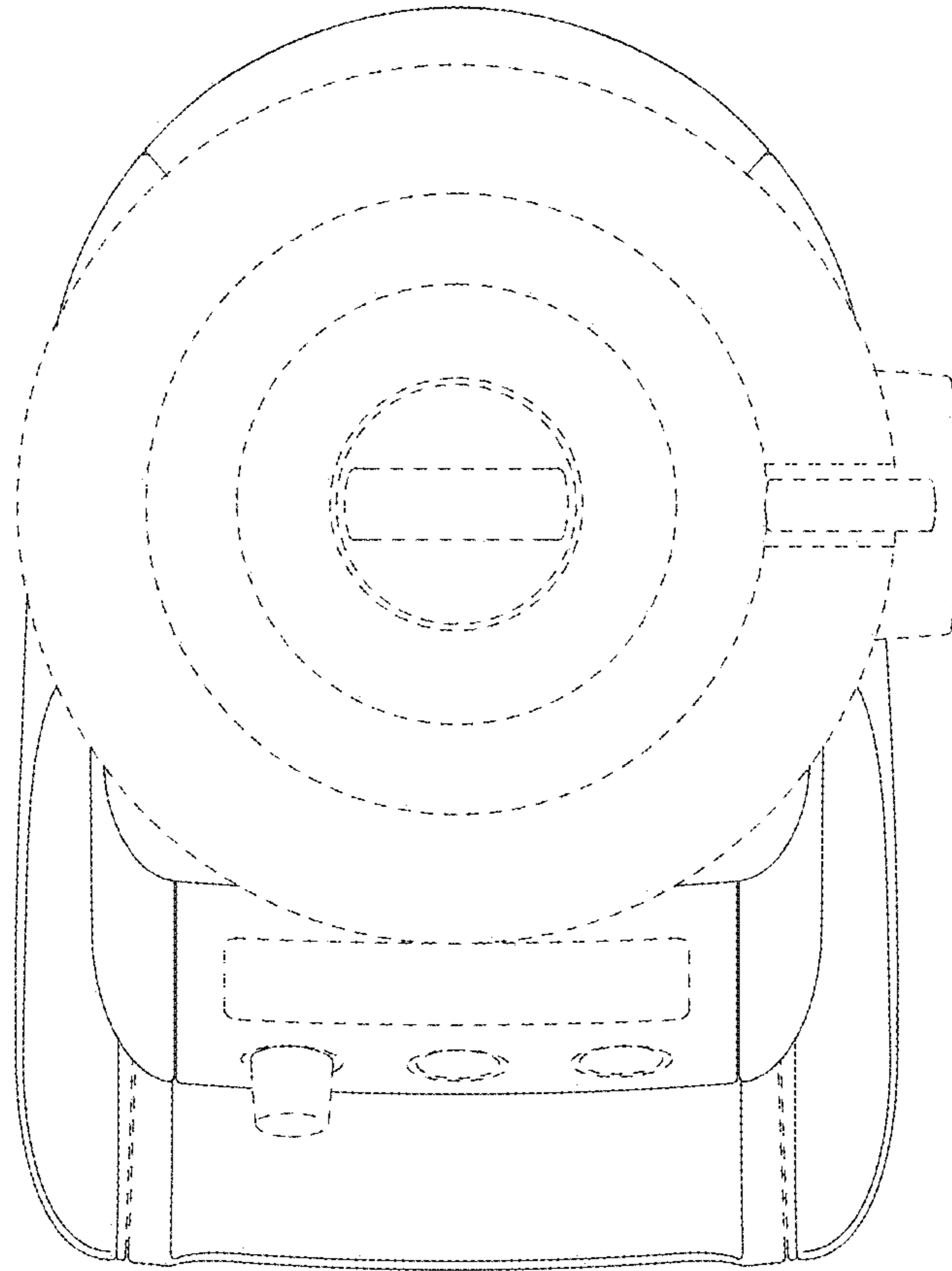


FIGURE 7

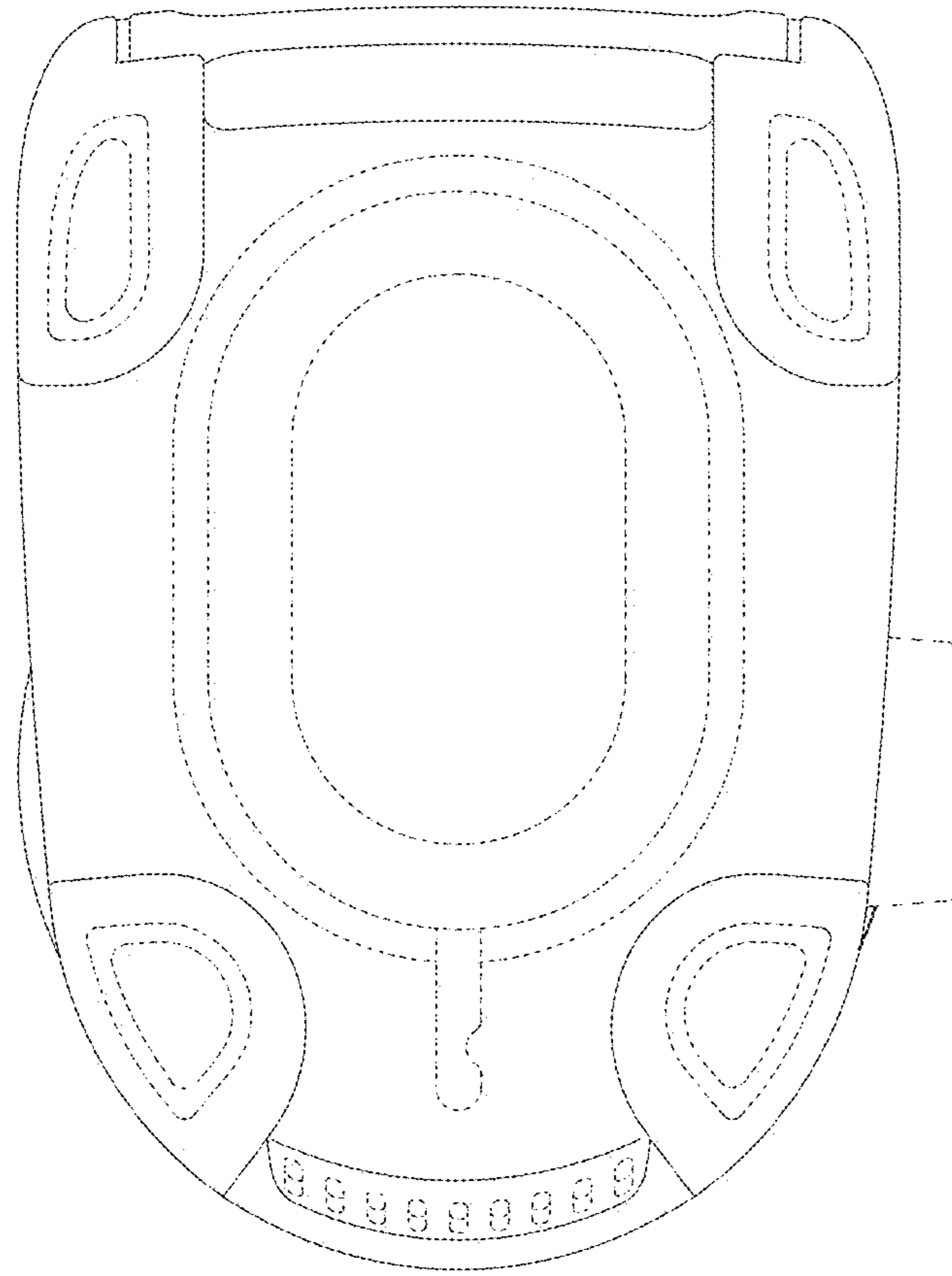


FIGURE 8