



US00D708919S

(12) **United States Design Patent**
Lin

(10) **Patent No.:** **US D708,919 S**
(45) **Date of Patent:** **** Jul. 15, 2014**

(54) **KNOCKDOWN FUNNEL**
(76) Inventor: **Zhigang Lin**, Zhejiang (CN)
(**) Term: **14 Years**
(21) Appl. No.: **29/428,299**
(22) Filed: **Jul. 29, 2012**
(30) **Foreign Application Priority Data**

May 17, 2012 (CN) 2012 3 0177479
(51) **LOC (10) Cl.** **07-99**
(52) **U.S. Cl.**
USPC **D7/700**

(58) **Field of Classification Search**
USPC D7/700, 354, 356, 357, 361, 368, 396.2,
D7/667, 400, 409, 543, 523, 510, 512, 629,
D7/668, 669, 691, 589, 412, 415;
D30/129, 132, 162; D14/208;
D24/122; D23/200; D9/436, 434, 503,
D9/536; D10/46.2; D15/150, 152;
210/314, 456, 464, 470-478, 497.1,
210/498, 499; 141/297-300, 331-345, 95,
141/98, 199-205, 384, 386; 99/324, 325,
99/339, 416, 415, 425, 426, 345, 495, 490,
99/505-510; 220/86.2; 215/316, 321, 329,
215/43; 294/179; 100/110, 113, 116, 127,
100/213, 248

See application file for complete search history.

(56) **References Cited**

U.S. PATENT DOCUMENTS

1,134,837 A * 4/1915 Fox 210/482
D59,232 S * 10/1921 Kincaid D7/667

(Continued)

Primary Examiner — Ian Simmons

Assistant Examiner — Shannon Morgan

(74) *Attorney, Agent, or Firm* — Global IP Services; Tianhua Gu

(57) **CLAIM**

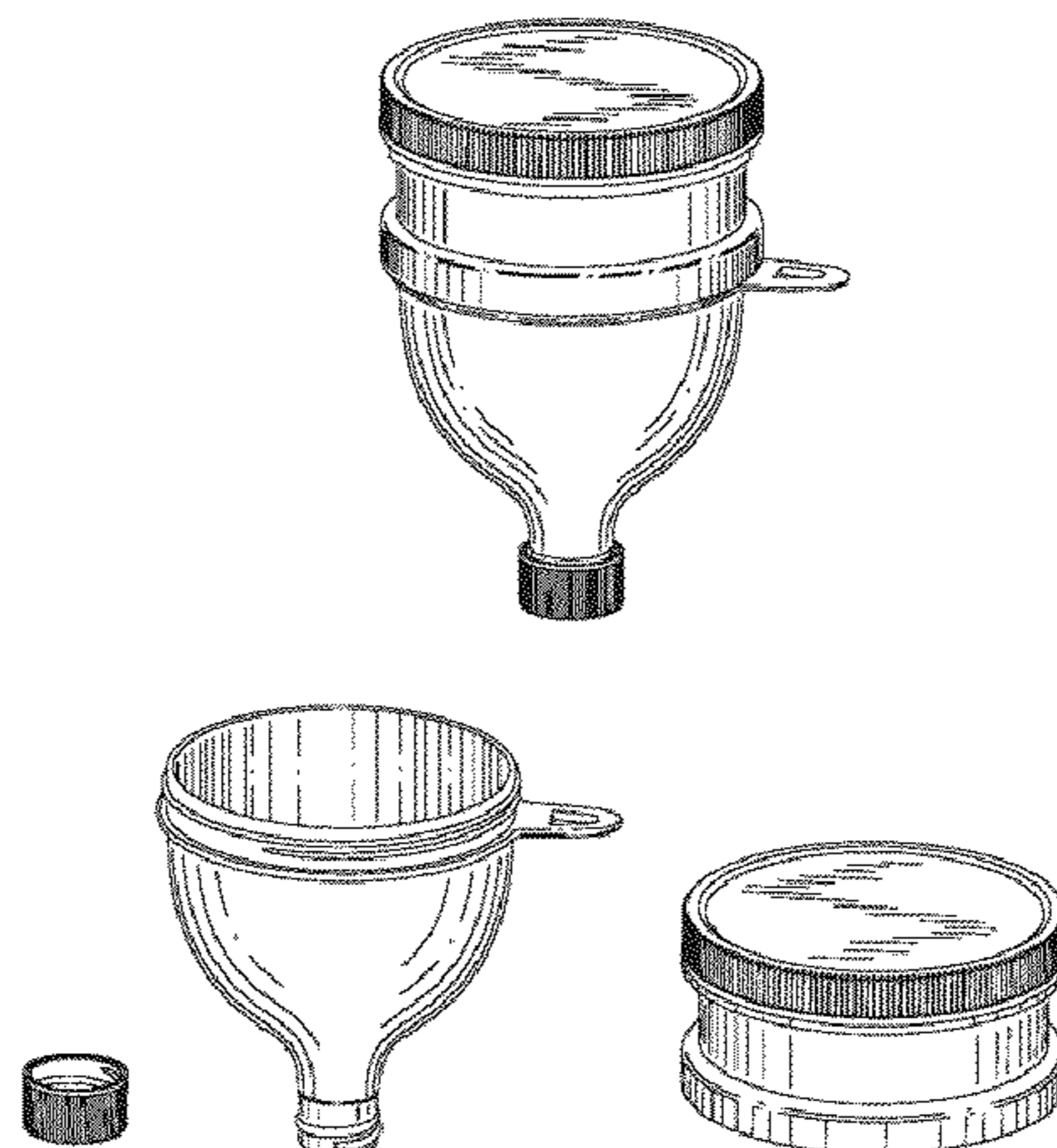
The ornamental design for a knockdown funnel, as shown and described.

DESCRIPTION

FIG. 1 is a front elevation view of a knockdown funnel showing my new design;

FIG. 2 is a left side elevation view thereof;
FIG. 3 is a right side elevation view thereof.
FIG. 4 is a rear elevation view thereof;
FIG. 5 is a top plan view thereof;
FIG. 6 is a bottom plan view thereof;
FIG. 7 is a front perspective view thereof;
FIG. 8 is an exploded front perspective view shown with the large cover portion separated from the knockdown funnel;
FIG. 9 is an exploded front perspective view shown with the jar portion separated from the knockdown funnel;
FIG. 10 is an exploded perspective view shown with the small cover and jar portions separated from the knockdown funnel;
FIG. 11 is a front elevation view shown with the large cover, jar and small cover portions removed from the knockdown funnel showing my new design;
FIG. 12 is a left side elevation view thereof;
FIG. 13 is a right side elevation view thereof;
FIG. 14 is a rear elevation view thereof;
FIG. 15 is a top plan view thereof;
FIG. 16 is a bottom plan view thereof;
FIG. 17 is a front elevation view shown with the large cover, funnel, and small cover portions removed from the knockdown funnel showing my new design;
FIG. 18 is a left side elevation view thereof;
FIG. 19 is a right side elevation view thereof;
FIG. 20 is a rear elevation view thereof;
FIG. 21 is a top plan view thereof;
FIG. 22 is a bottom plan view thereof;
FIG. 23 is a front elevation view shown with the jar, funnel and small cover portions removed from the knockdown funnel showing my new design thereof, the left side, right side and rear elevation views all being identical mirror views thereof;
FIG. 24 is a top plan view thereof;
FIG. 25 is a bottom plan view thereof;
FIG. 26 is a front elevation view shown with the large cover, jar, and funnel portions removed from the knockdown funnel showing my new design thereof, the left side, right side and rear elevation views all being identical mirror images thereof;
FIG. 27 is a top plan view thereof; and,
FIG. 28 is a bottom plan view thereof.

1 Claim, 14 Drawing Sheets



(56)

References Cited

U.S. PATENT DOCUMENTS

1,967,725 A * 7/1934 Rutherford, Jr. 144/360
 D212,622 S * 11/1968 Pochyla D30/132
 3,579,652 A * 5/1971 Ericson 4/144.2
 3,781,922 A * 1/1974 Ericson 4/144.1
 D235,183 S * 5/1975 Braun D7/667
 D266,400 S * 10/1982 Shatz D15/152
 D274,220 S * 6/1984 Biesecker D9/503
 D282,432 S * 2/1986 Gurka D23/200
 4,823,848 A * 4/1989 Sentmore et al. 141/334
 5,535,793 A * 7/1996 Tantre 141/337

D414,418 S * 9/1999 Nosella D9/502
 6,155,315 A * 12/2000 Peterson 141/331
 6,425,424 B1 * 7/2002 Ellis Calvo et al. 141/331
 D558,516 S * 1/2008 Bulala et al. D7/400
 D559,048 S * 1/2008 McKenzie D7/700
 D560,105 S * 1/2008 McKenzie D7/700
 D646,531 S * 10/2011 Murphy D7/700
 8,109,399 B1 * 2/2012 Sheffield et al. 215/386
 D670,141 S * 11/2012 Cetera D7/691
 D670,143 S * 11/2012 Cetera D7/691
 D676,292 S * 2/2013 Cetera D7/700
 D676,293 S * 2/2013 Cetera D7/700
 D677,132 S * 3/2013 Cetera D7/700

* cited by examiner

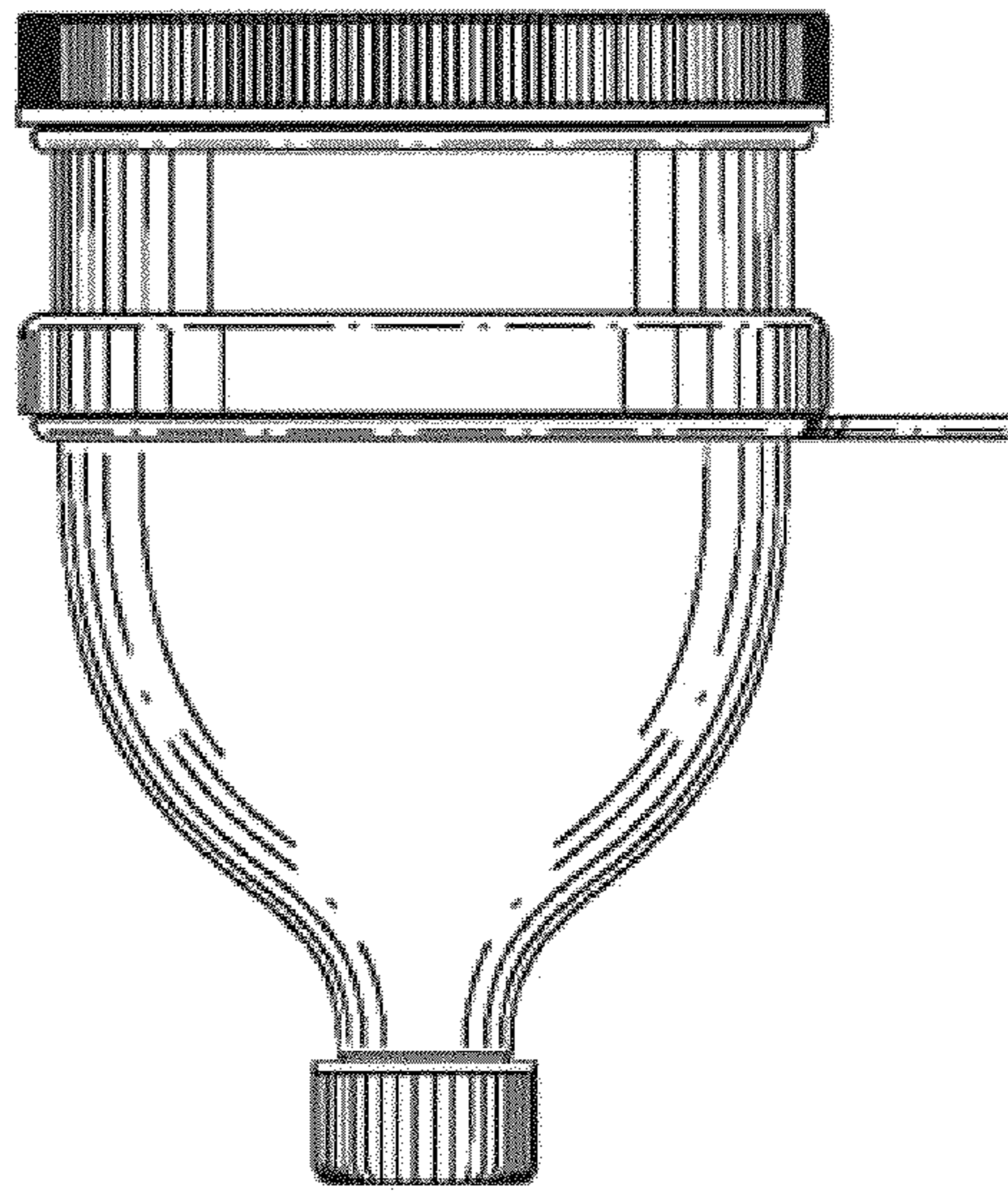


Fig. 1

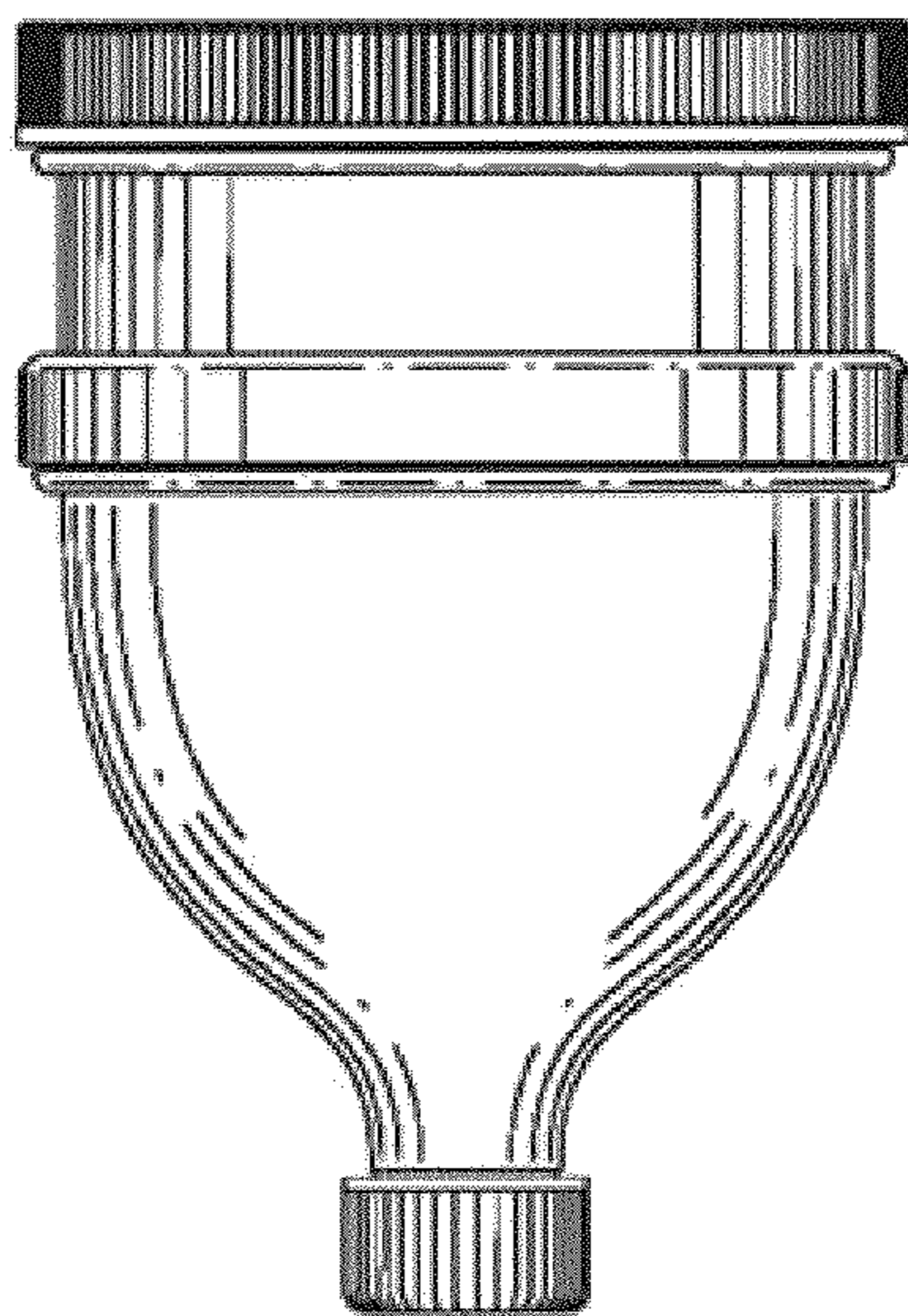


Fig. 2

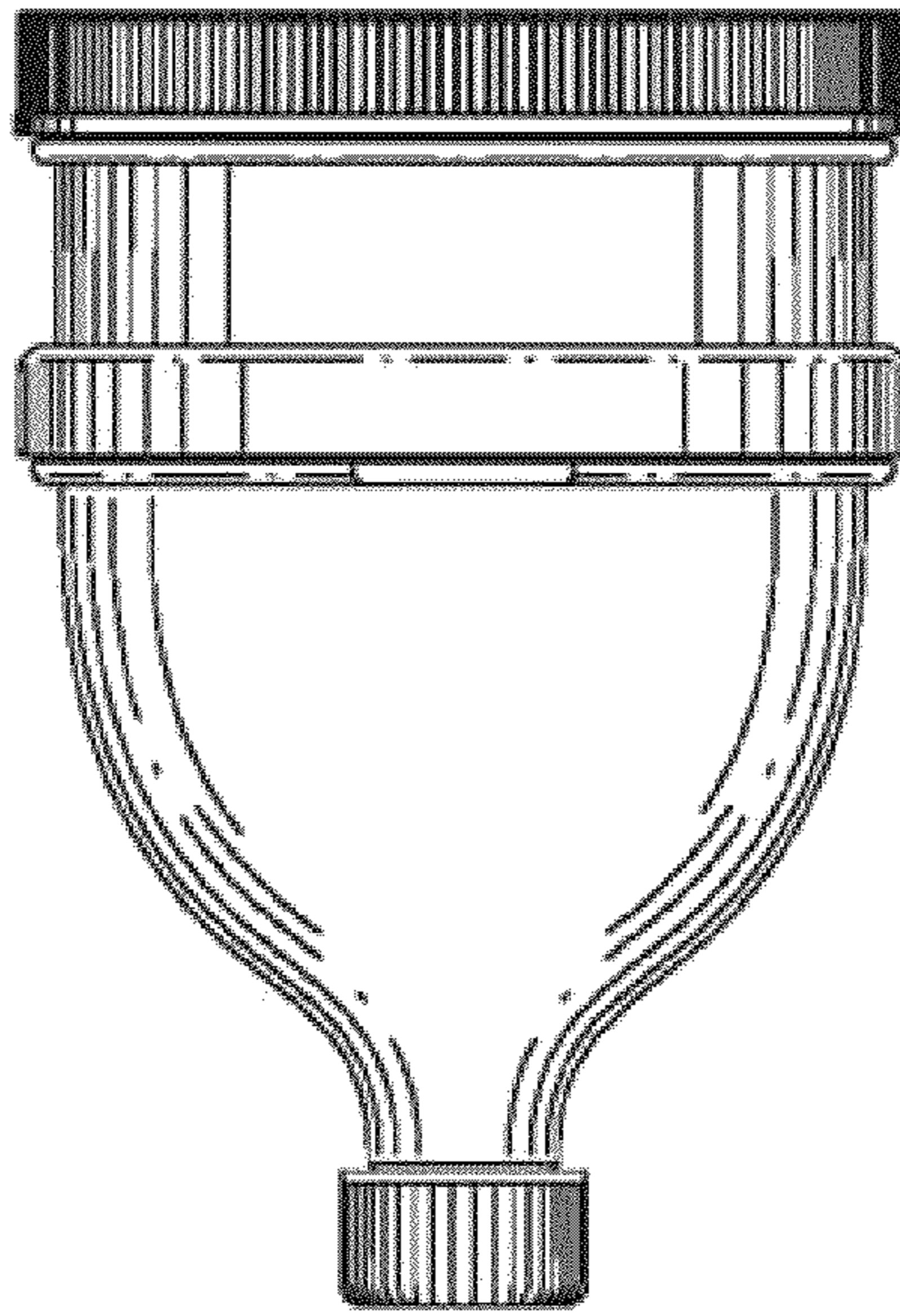


Fig. 3

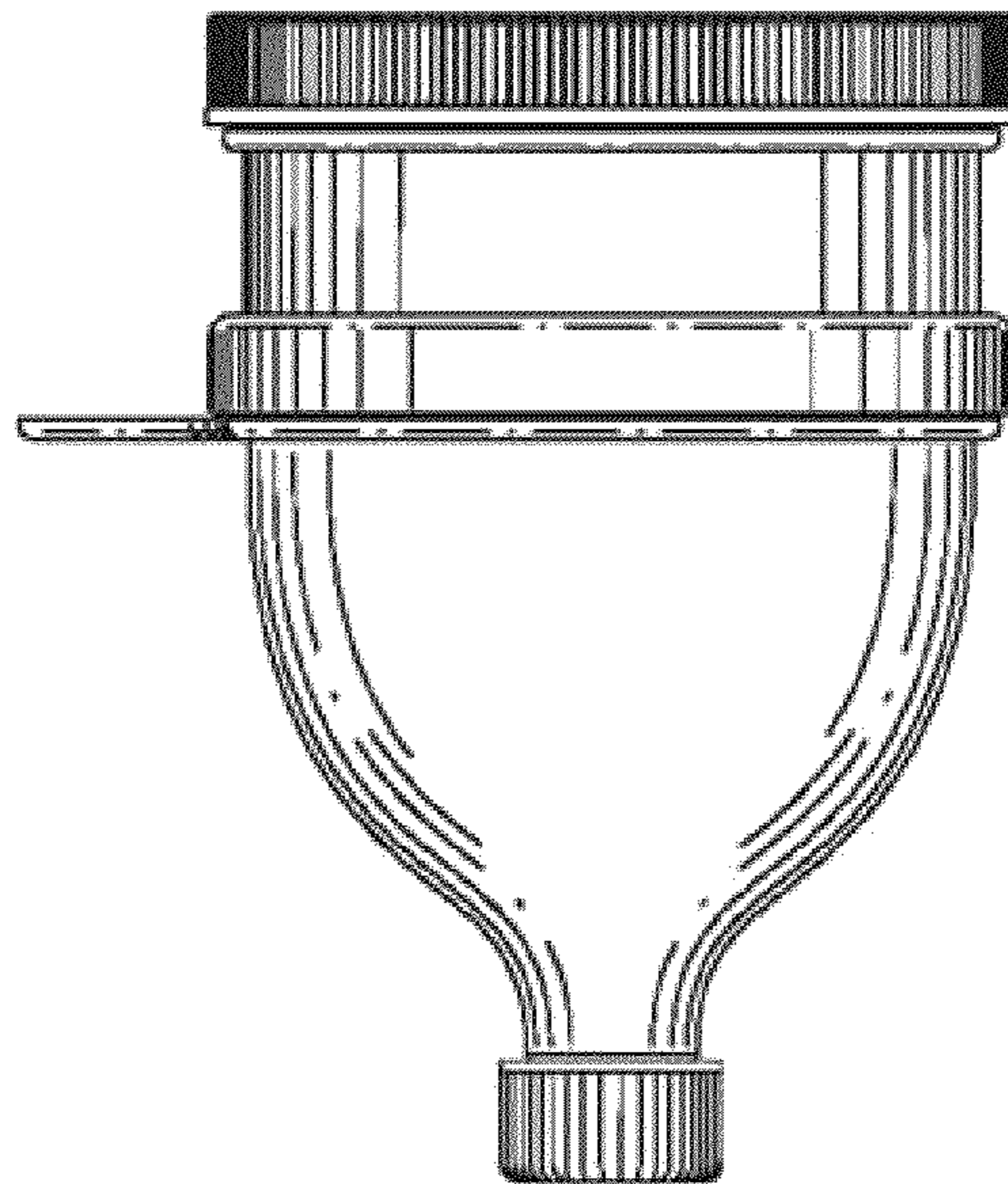


Fig. 4

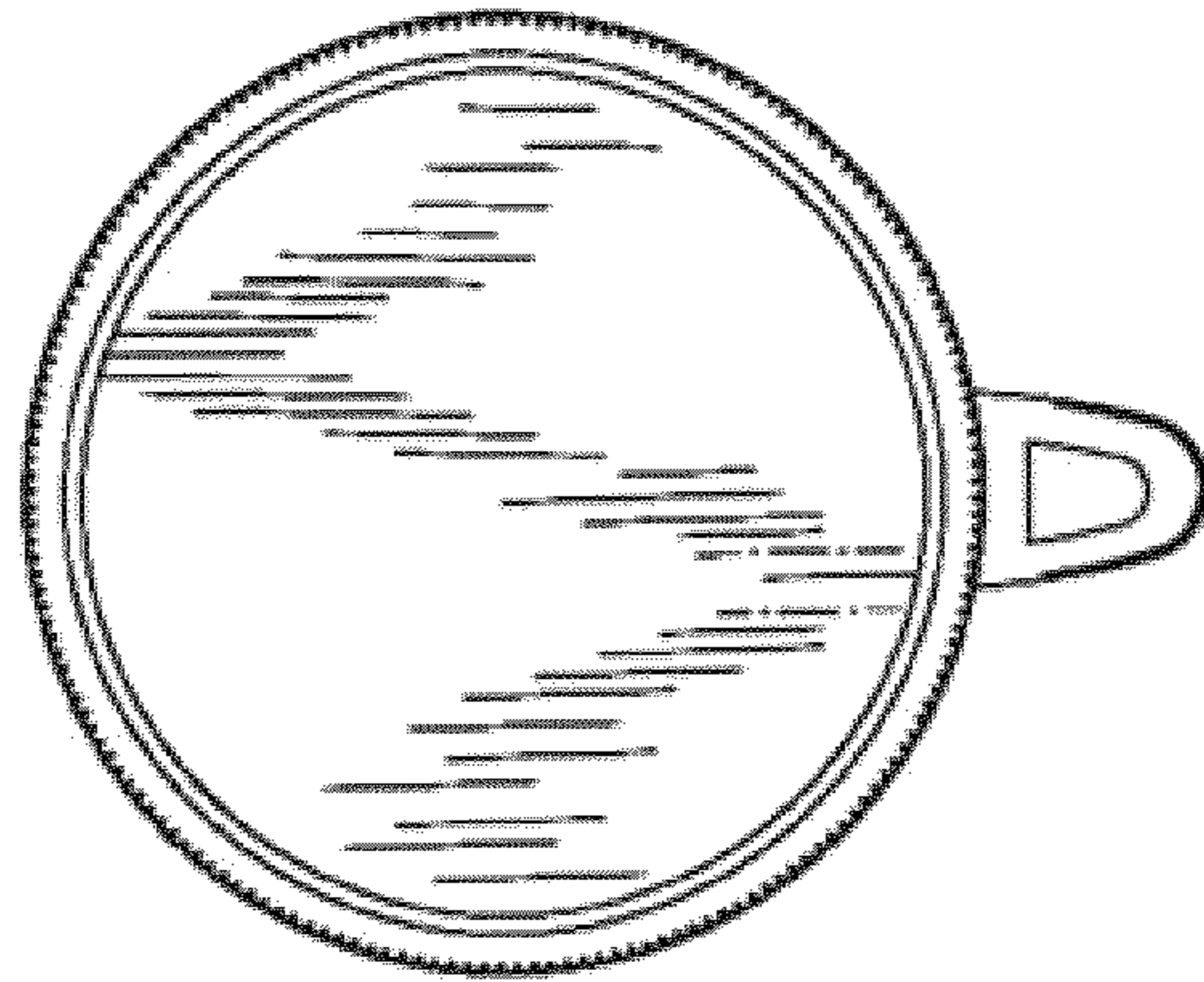


Fig. 5

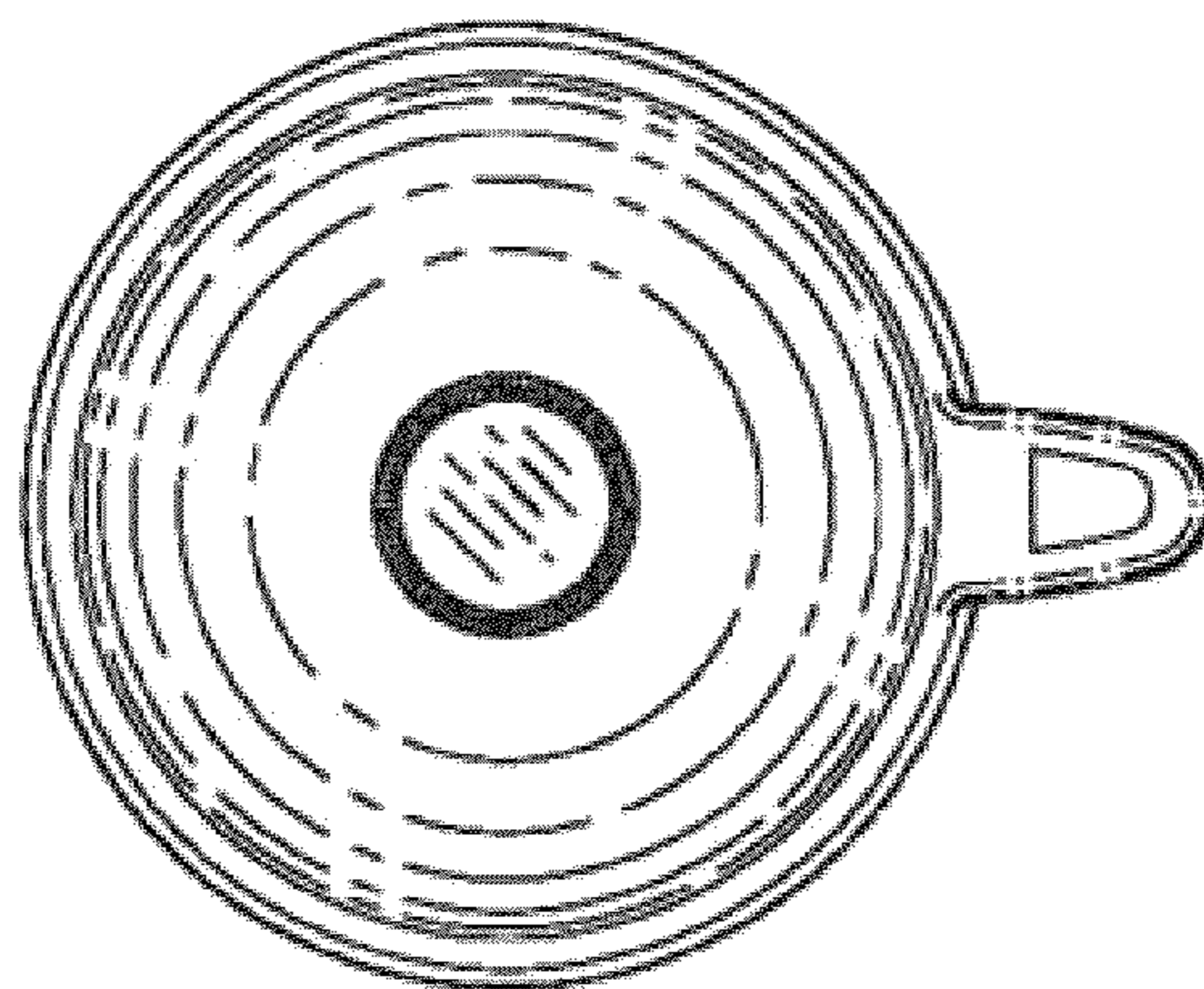


Fig. 6

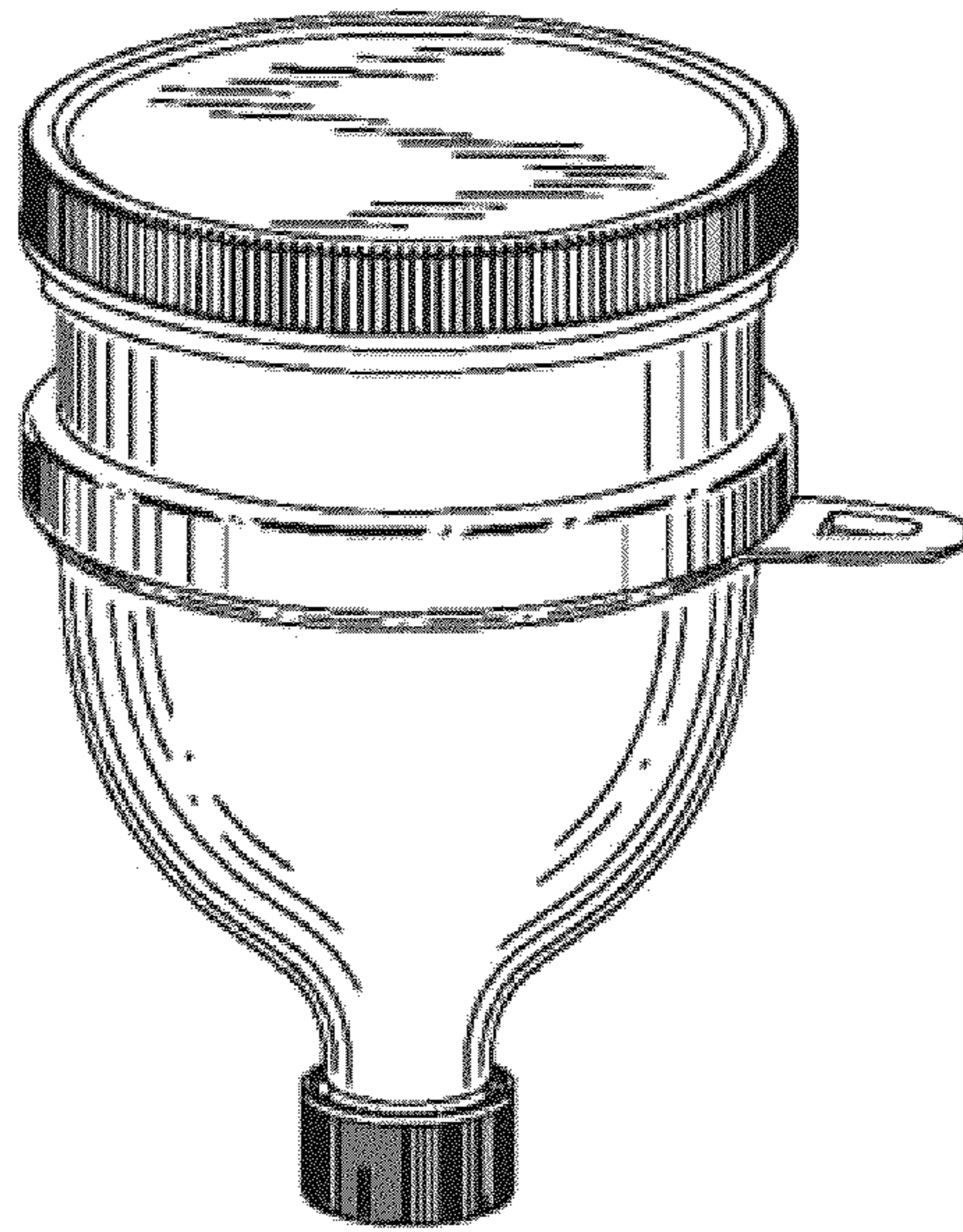


Fig. 7

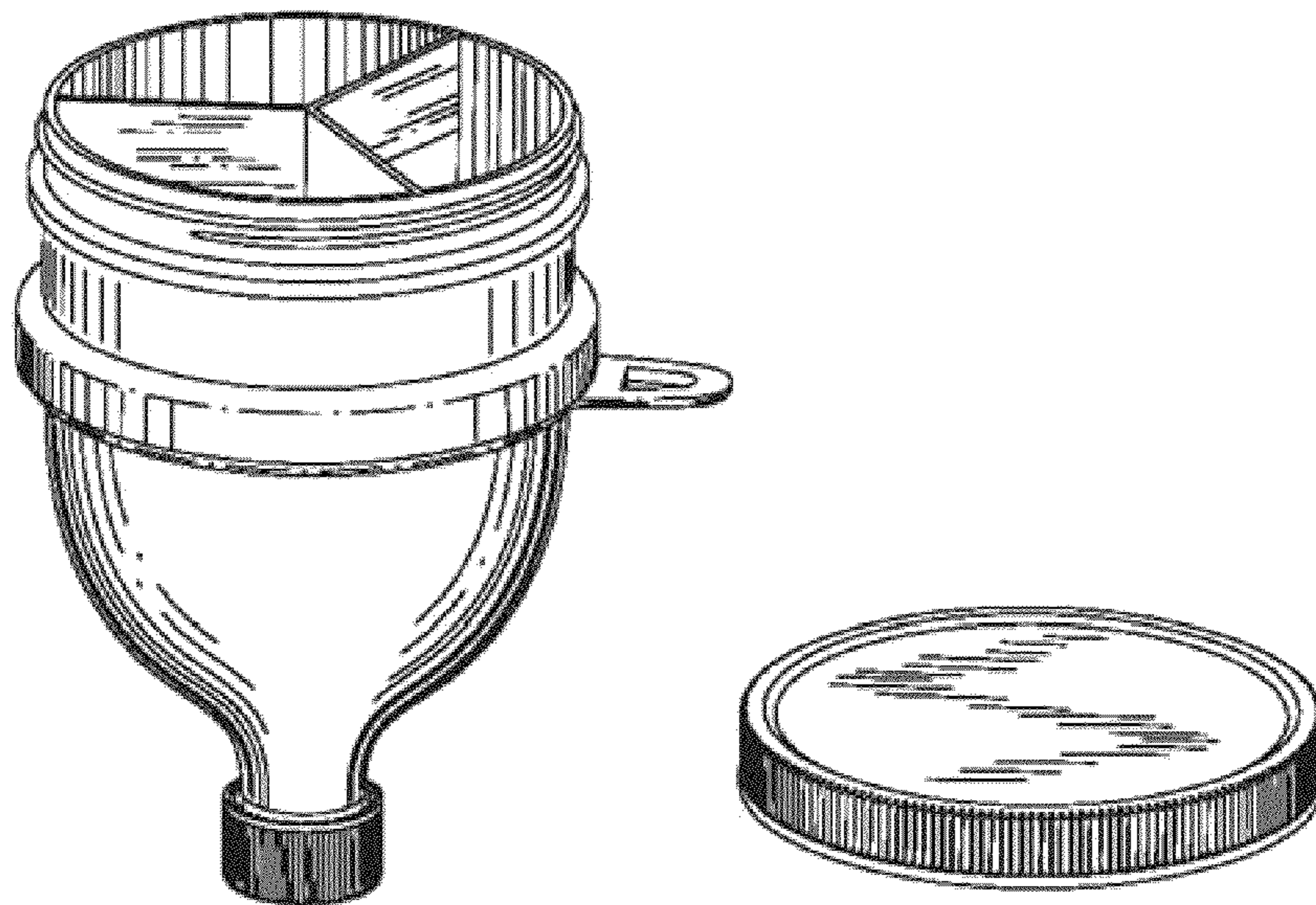


Fig. 8

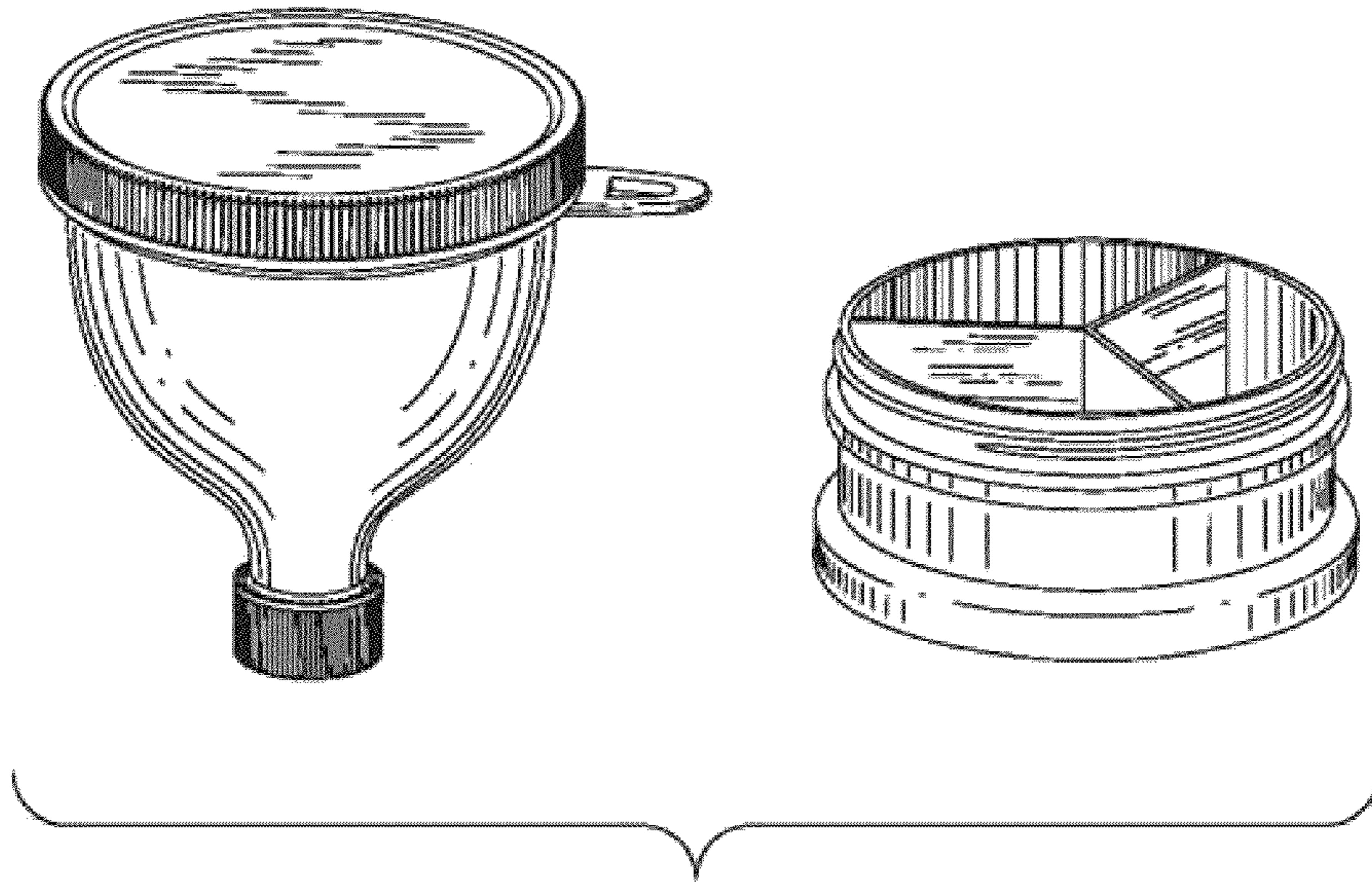


Fig. 9

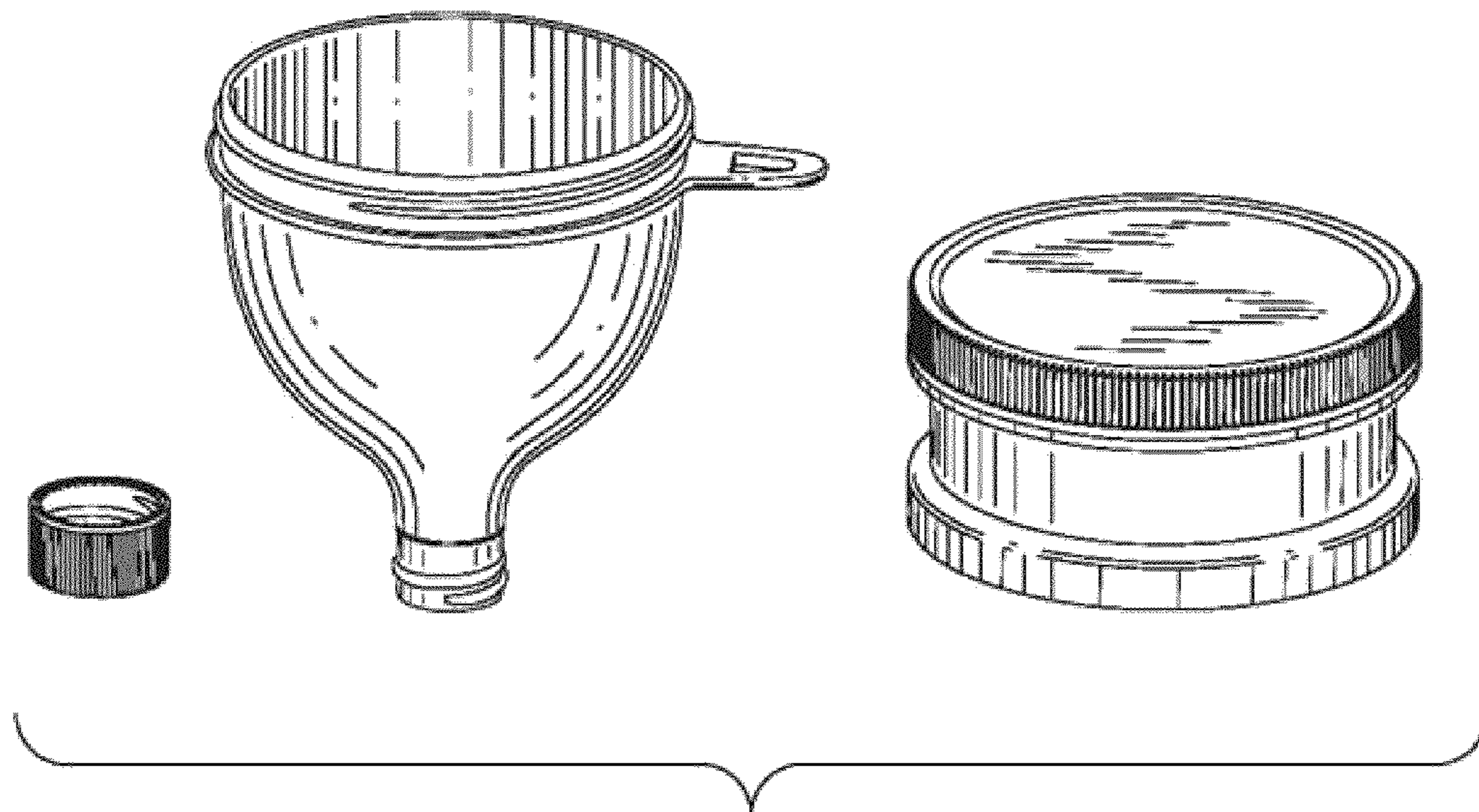


Fig. 10

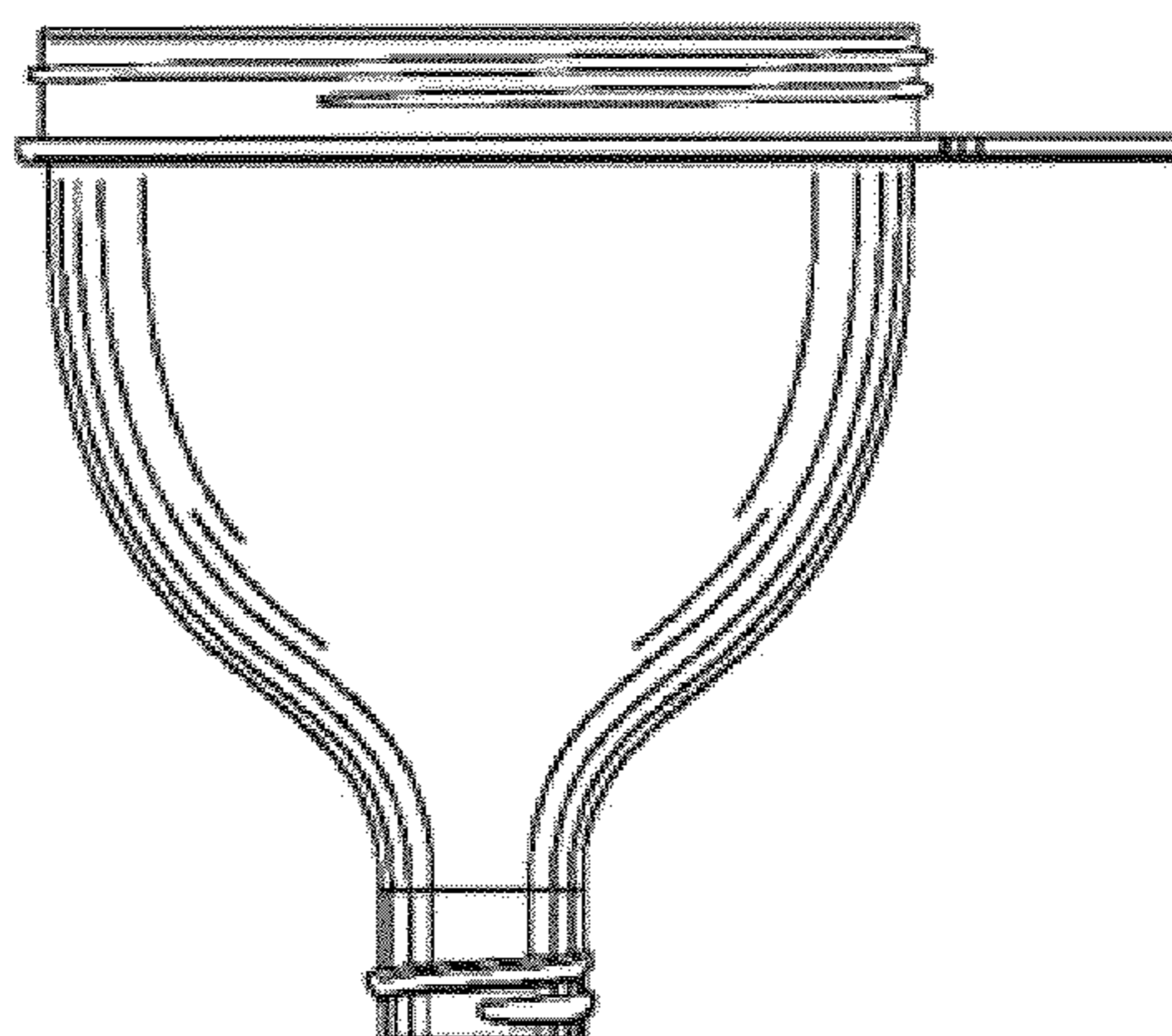


Fig. 11

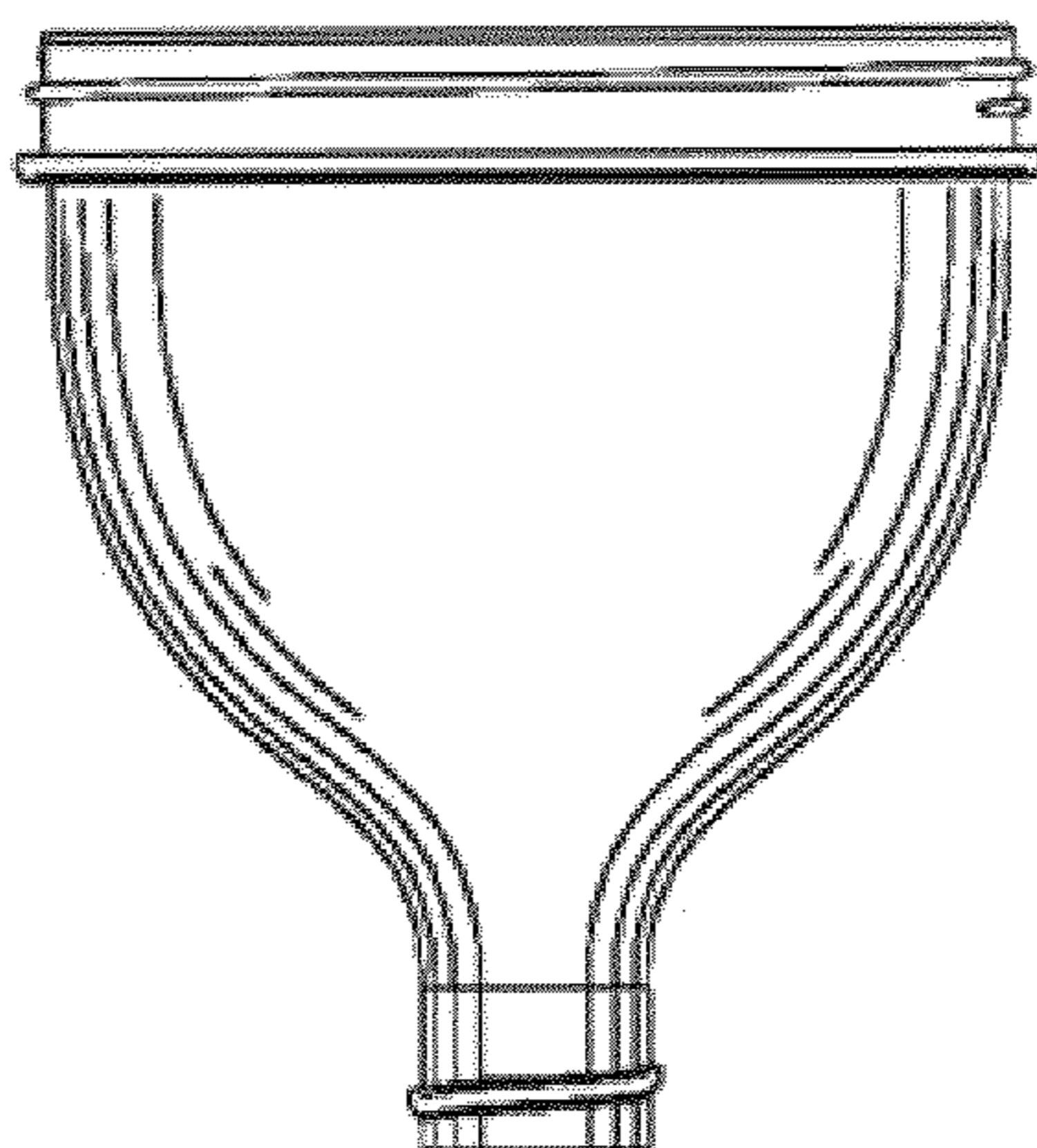


Fig. 12

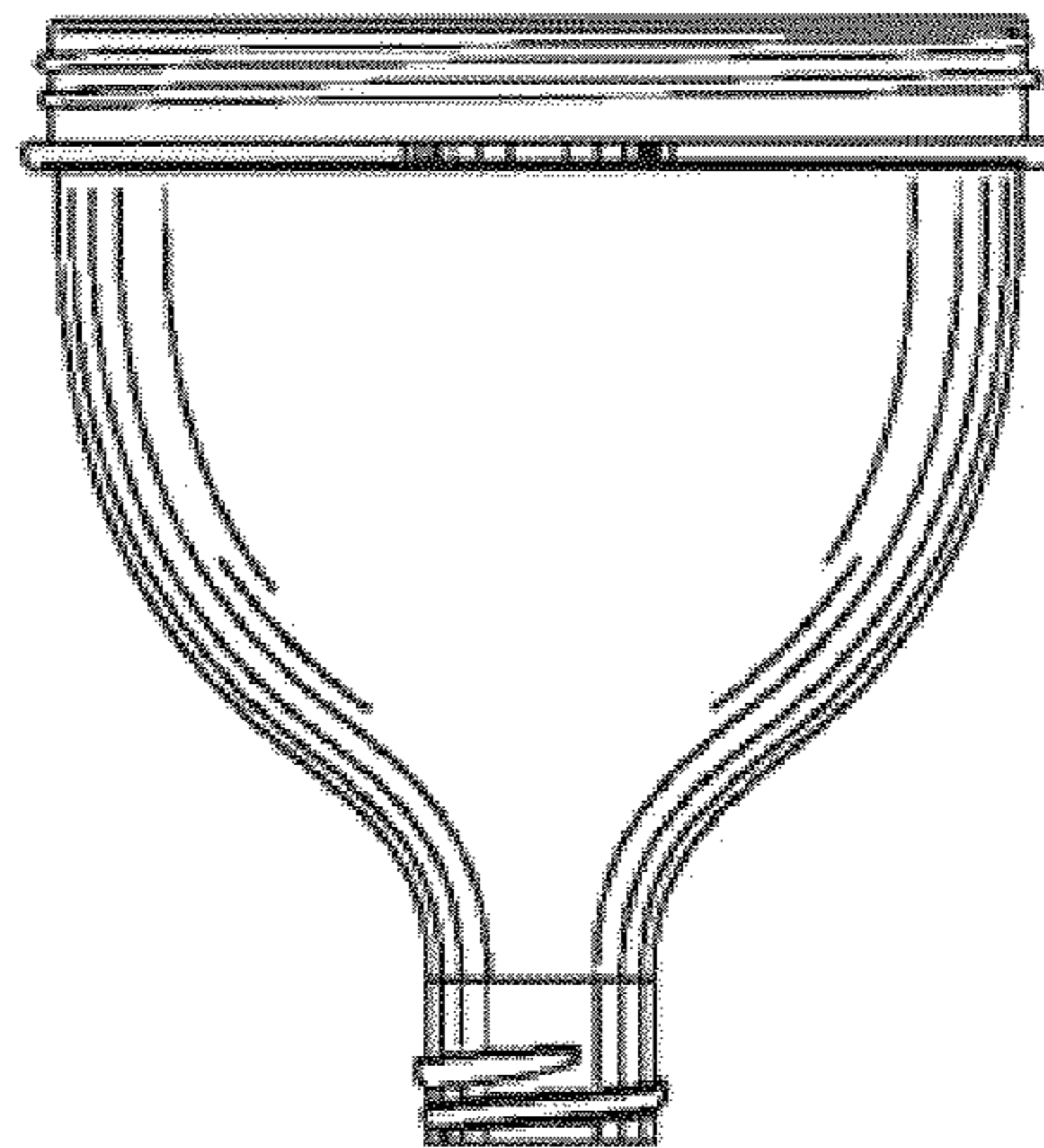


Fig. 13

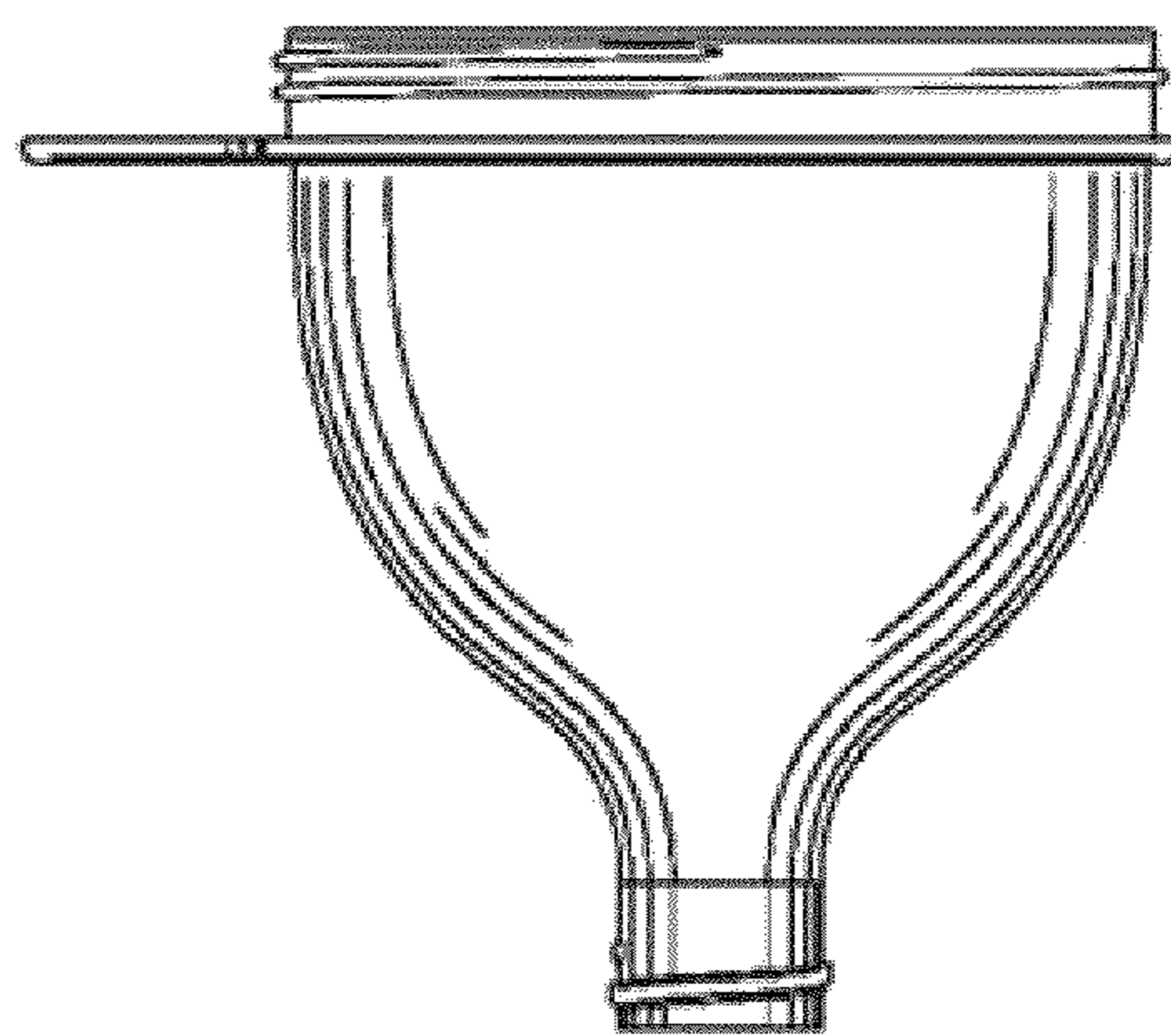


Fig. 14

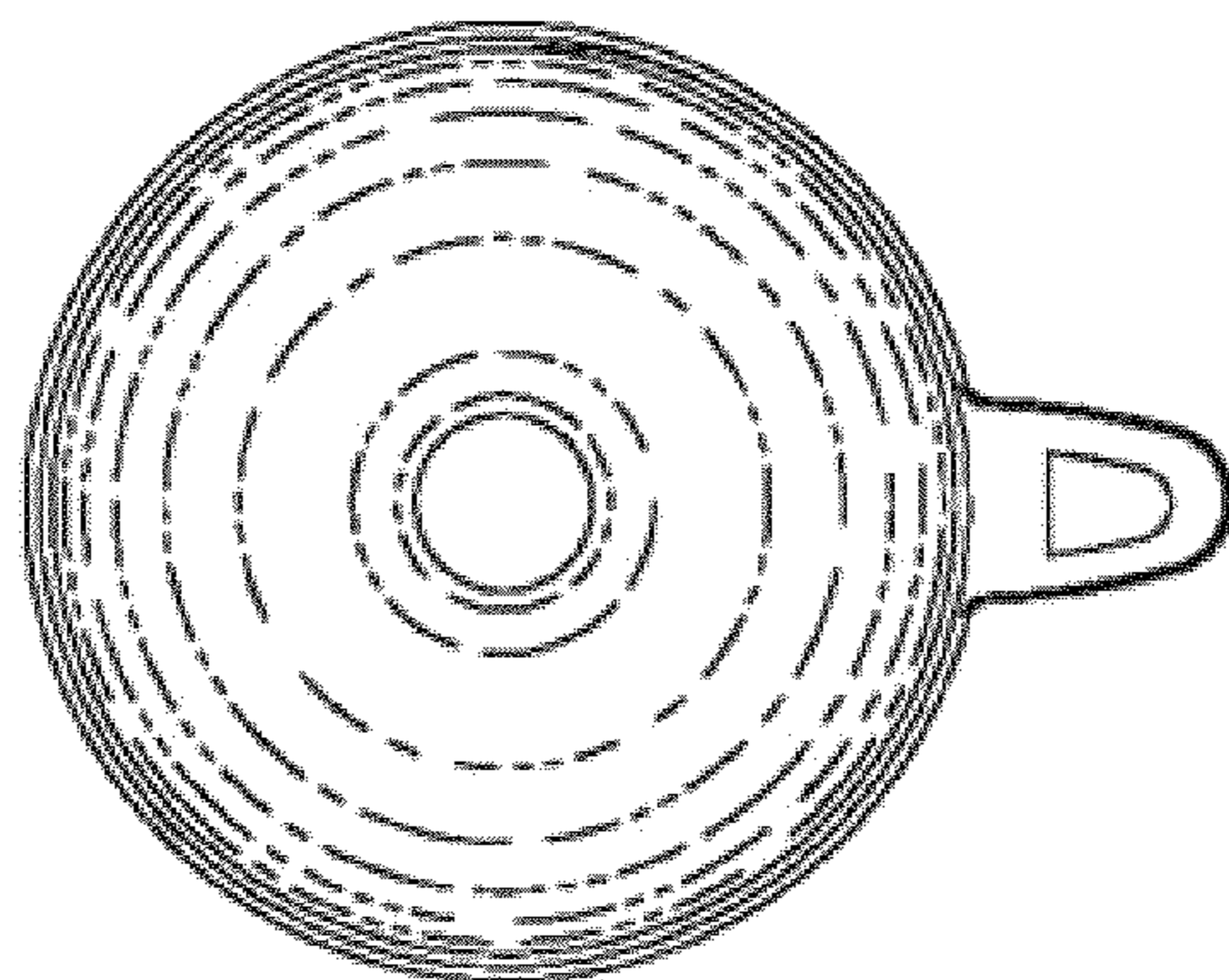


Fig. 15

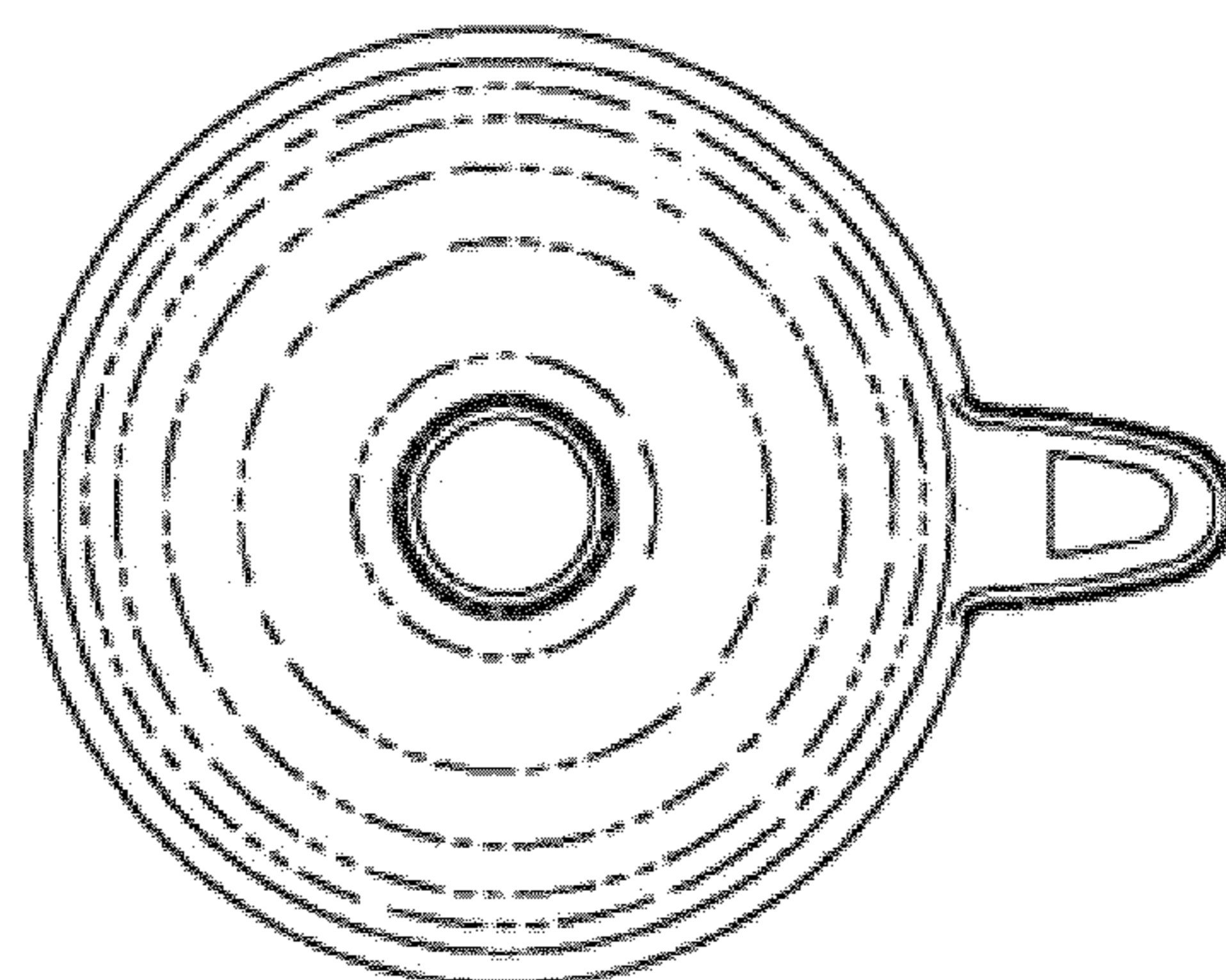


Fig. 16

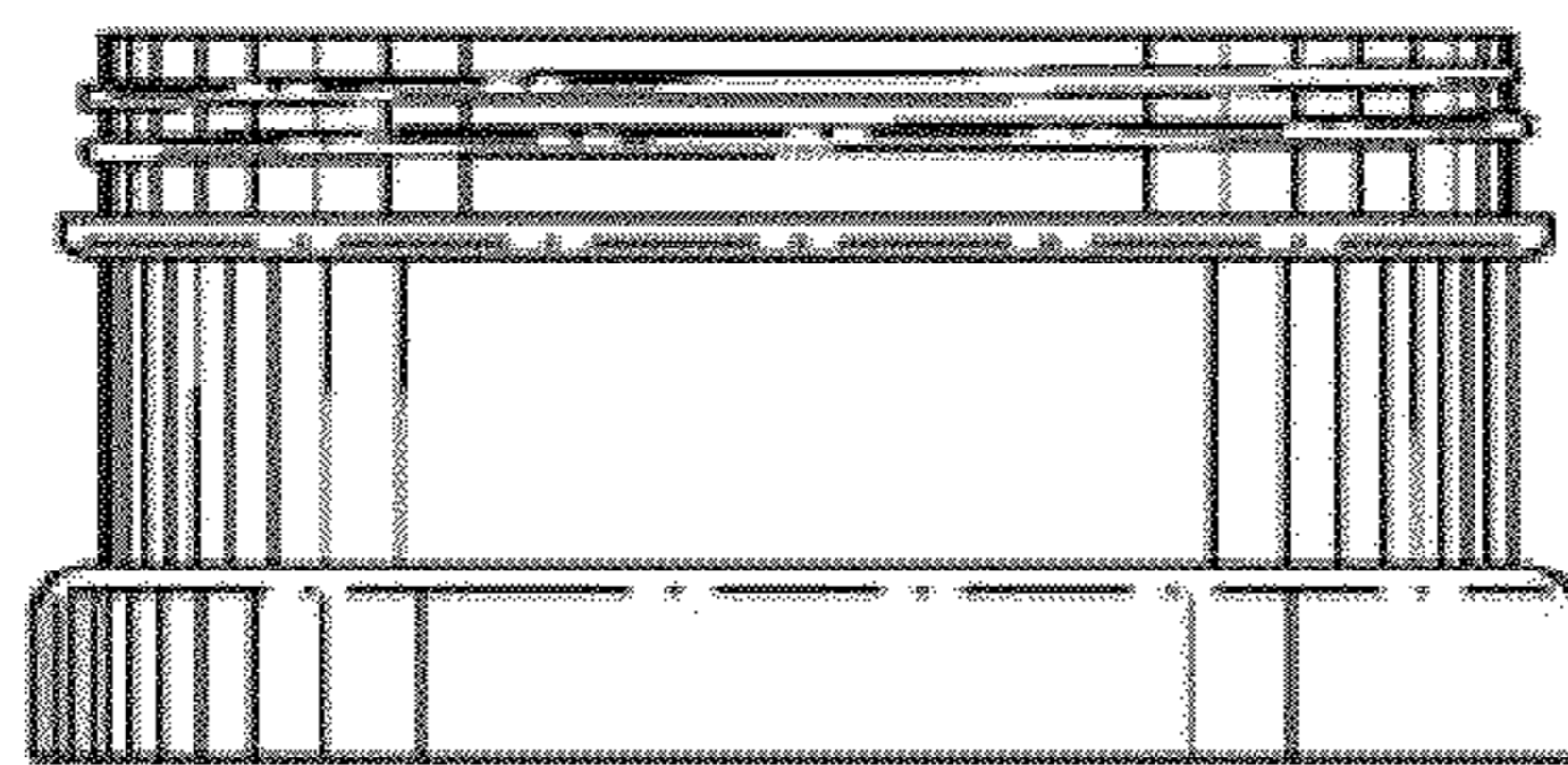


Fig. 17

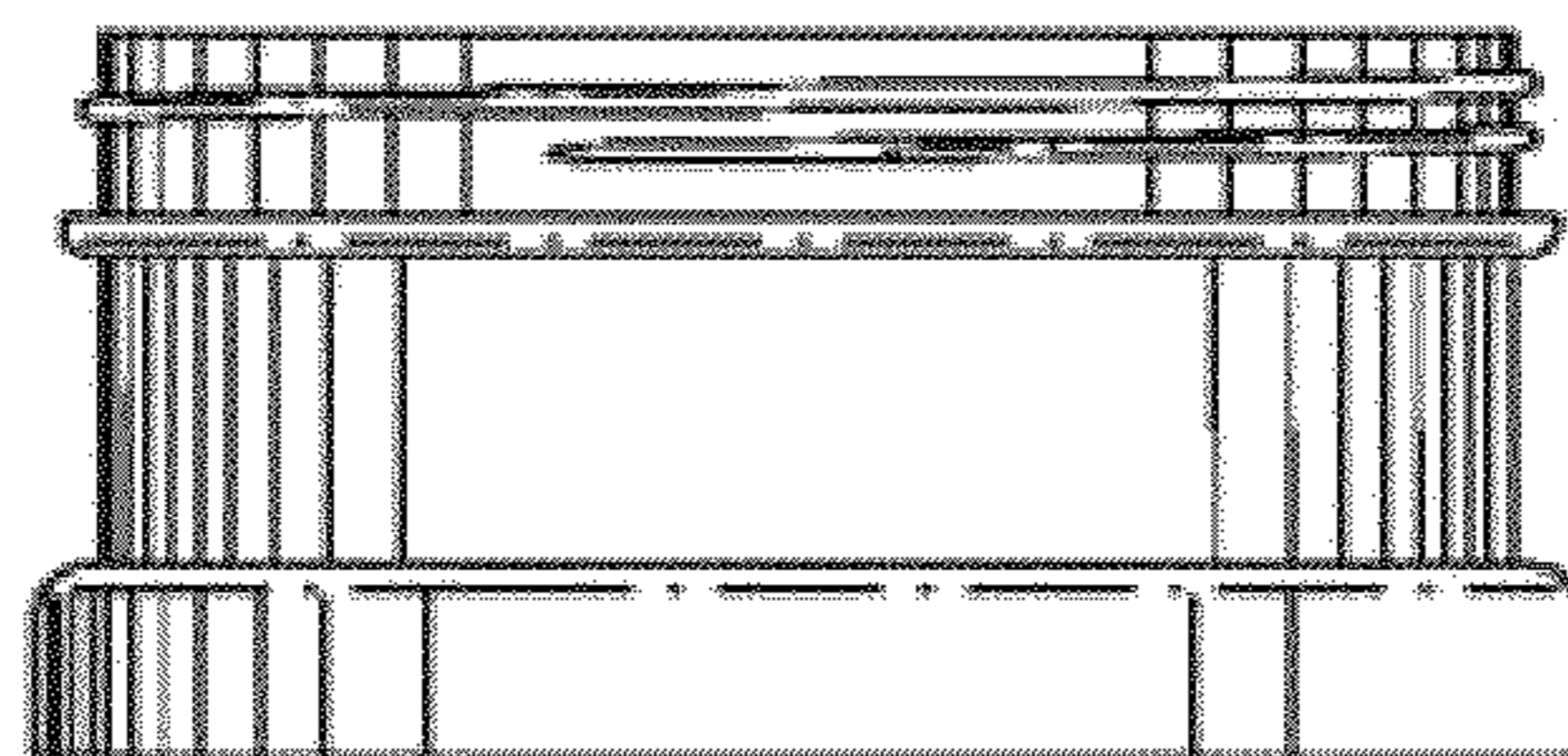


Fig. 18

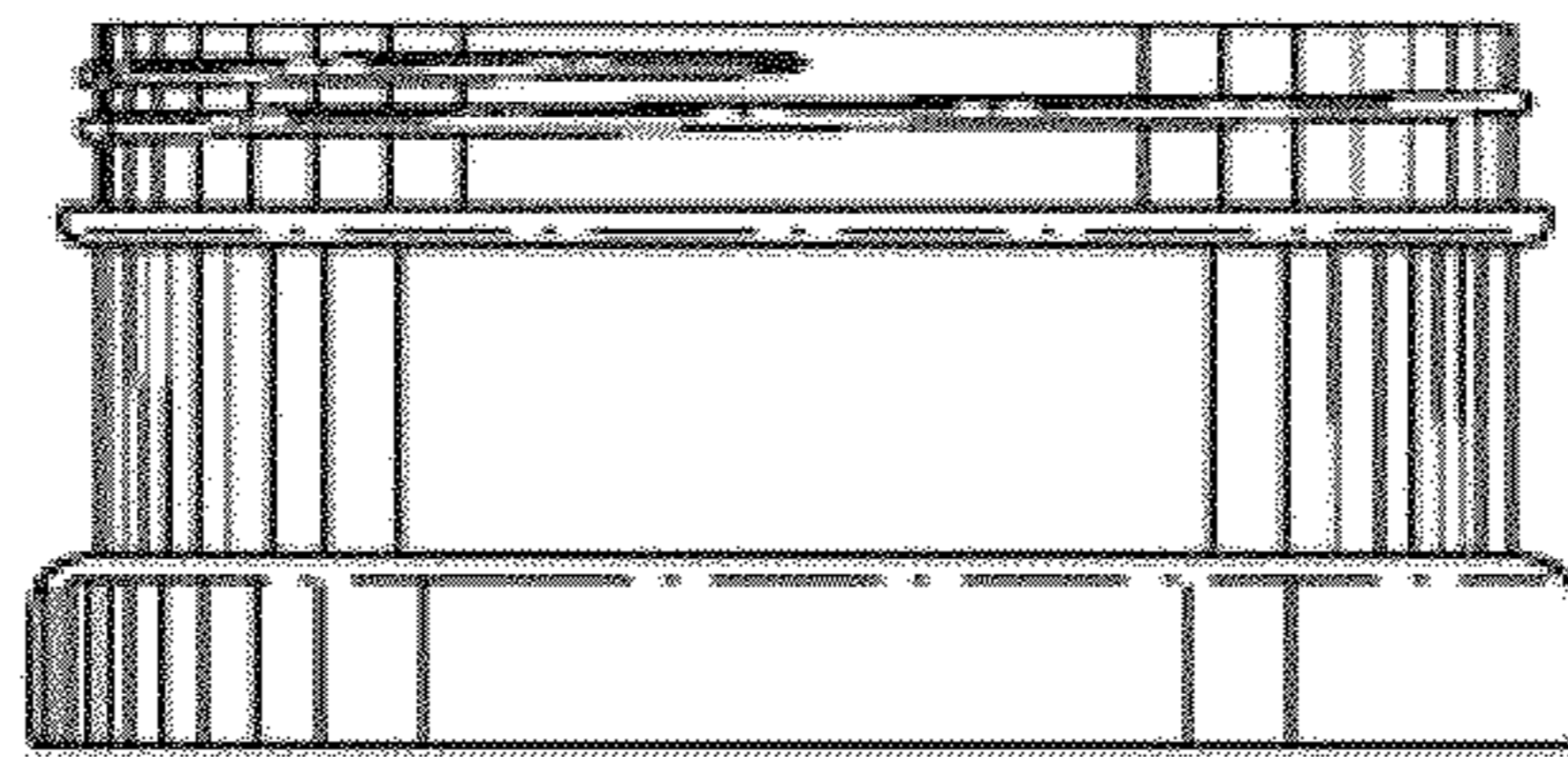


Fig. 19

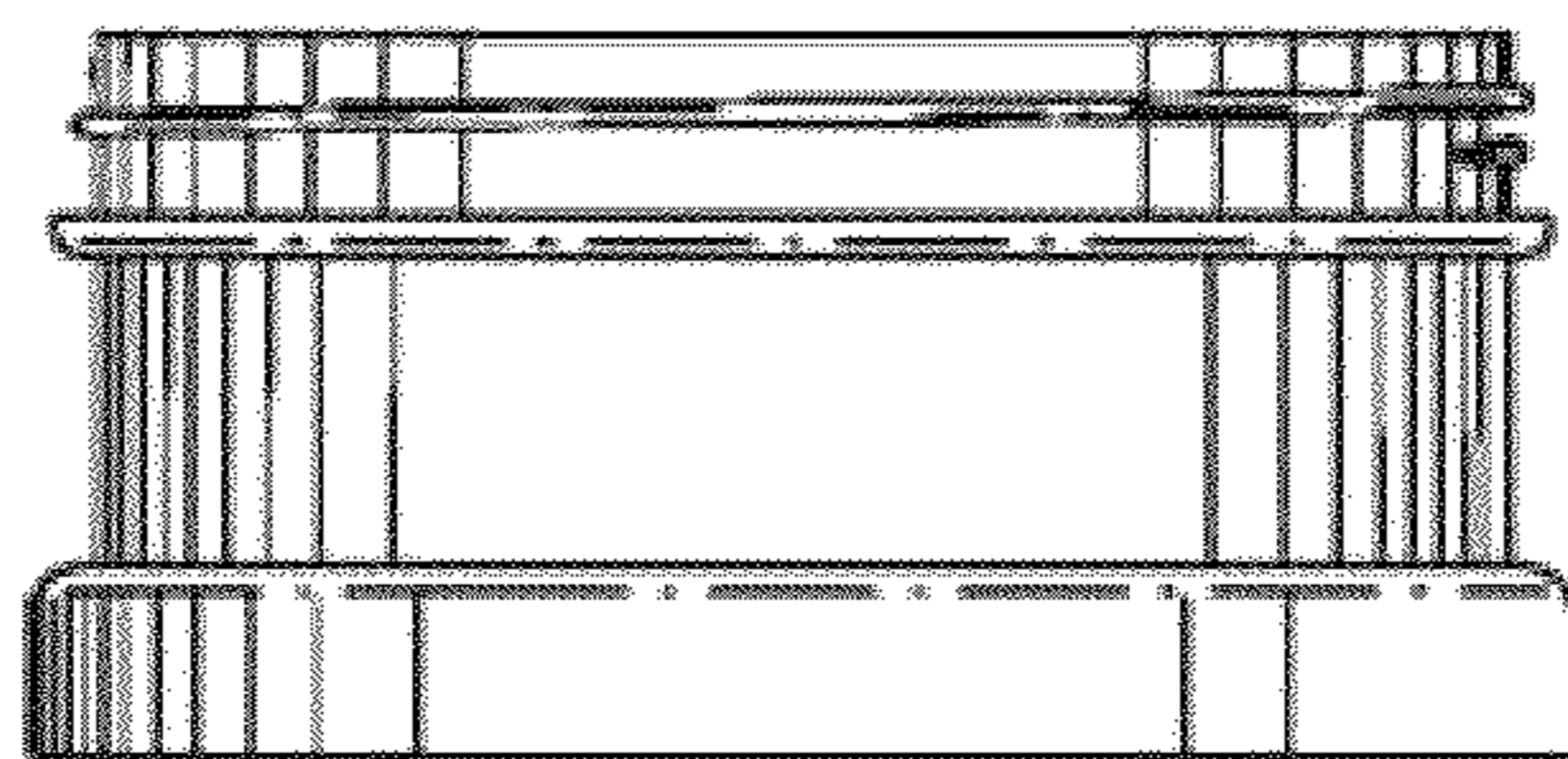


Fig. 20

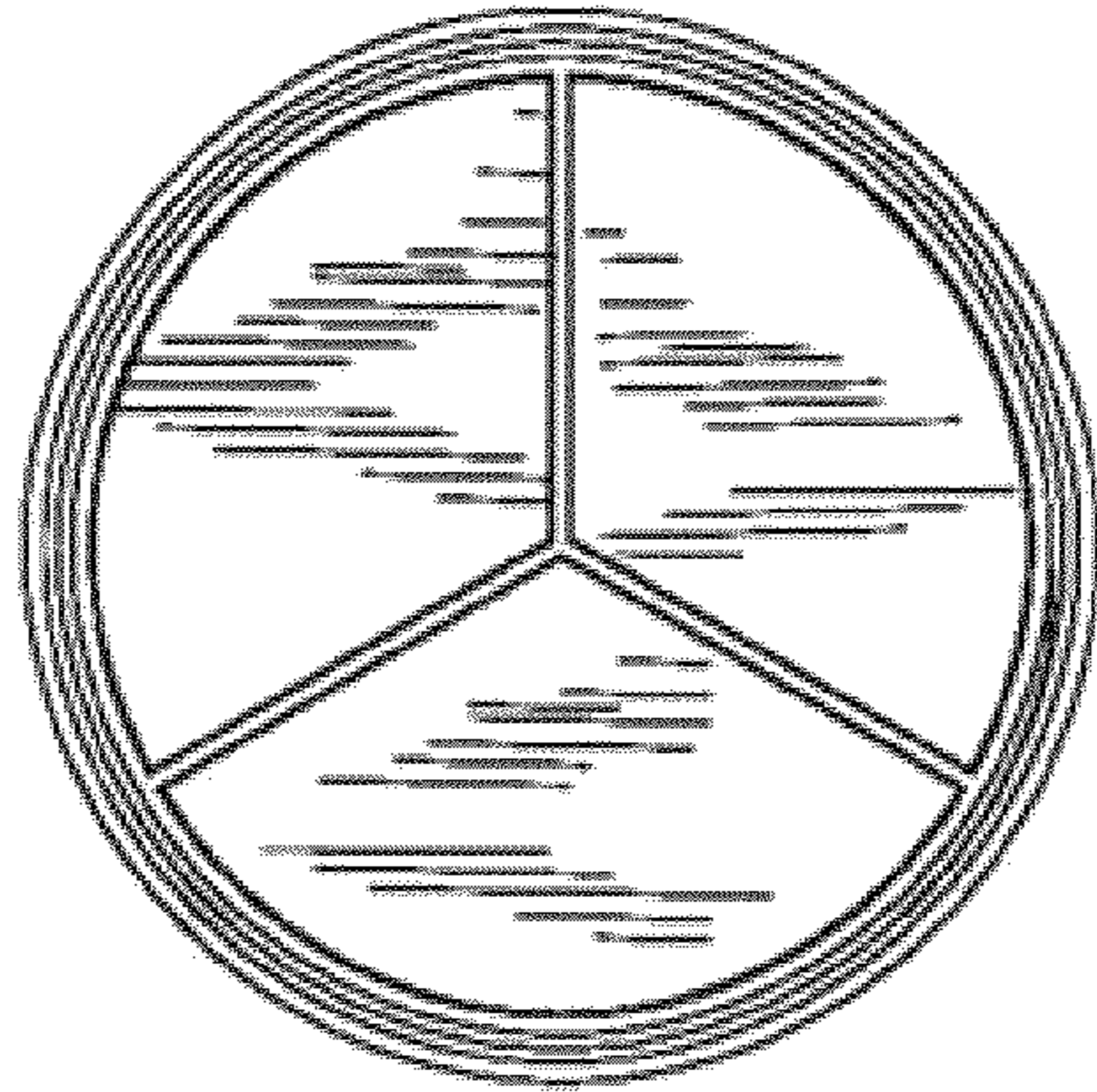


Fig. 21

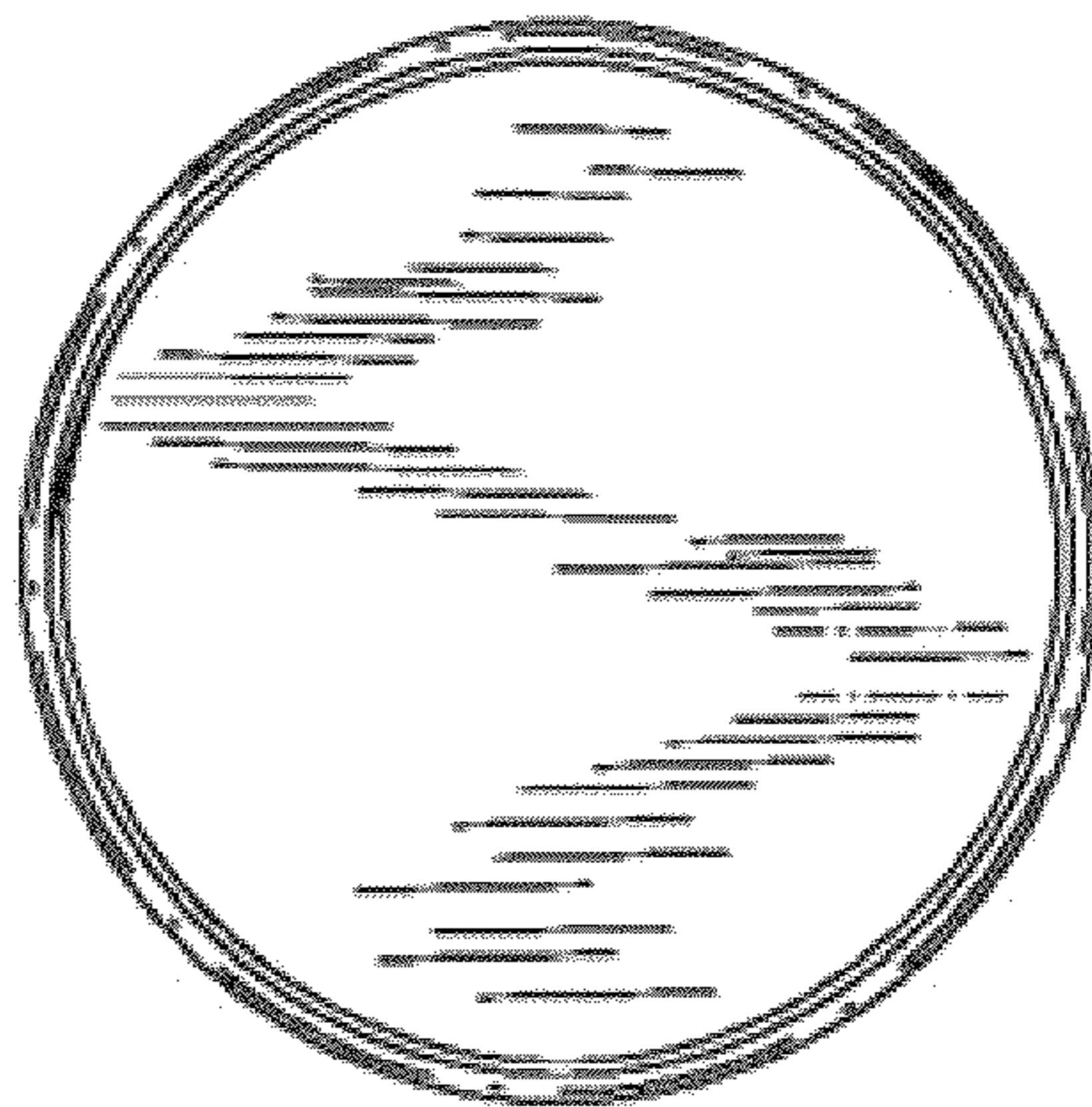


Fig. 22

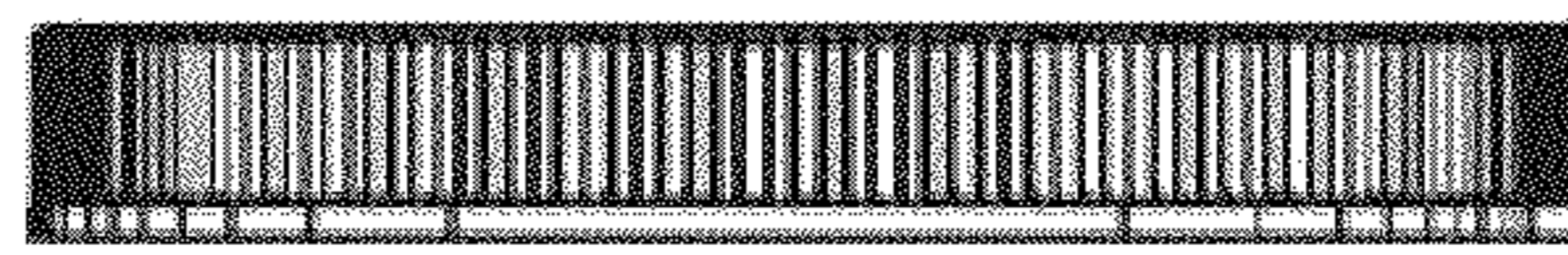


Fig. 23

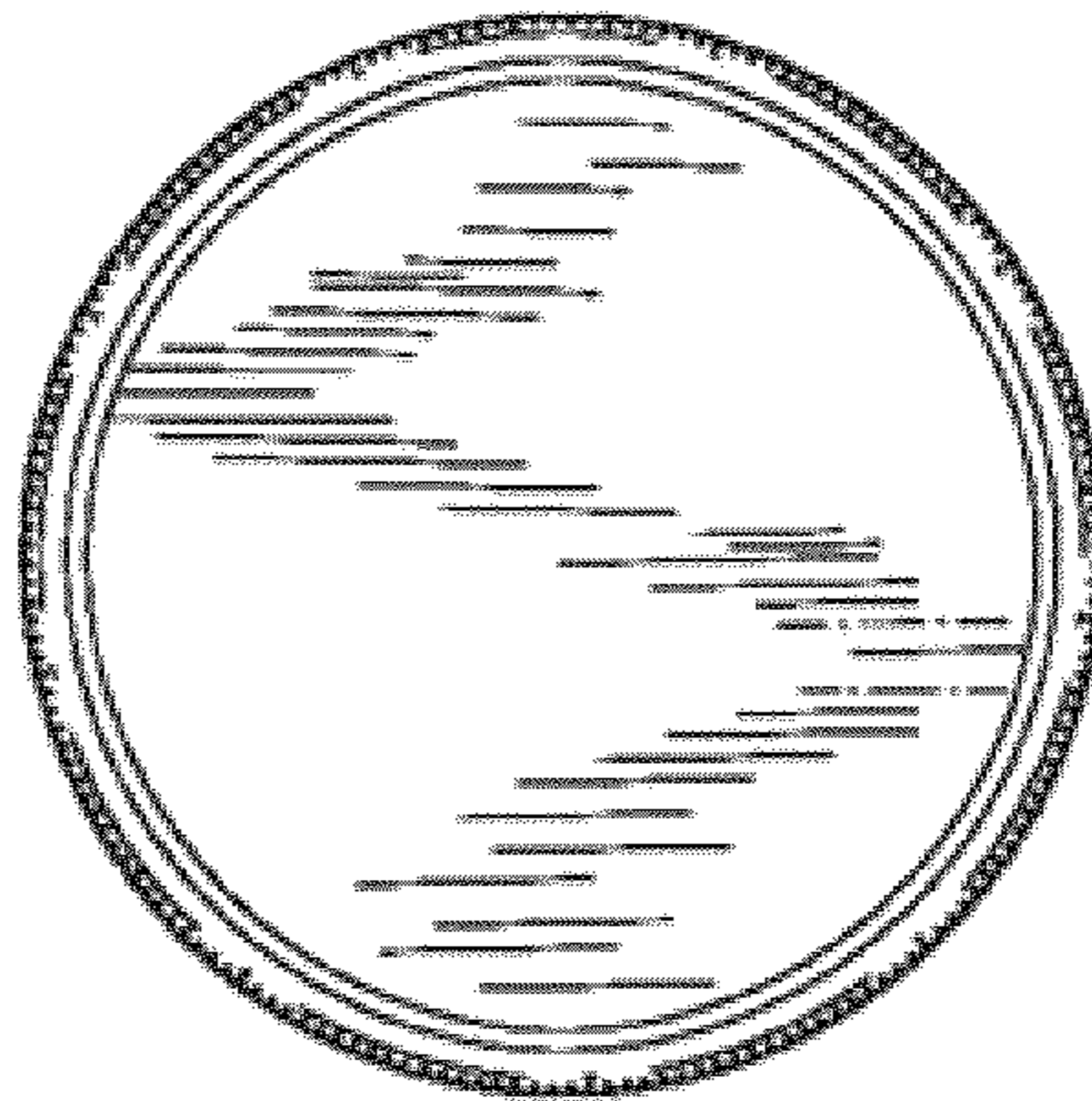


Fig. 24

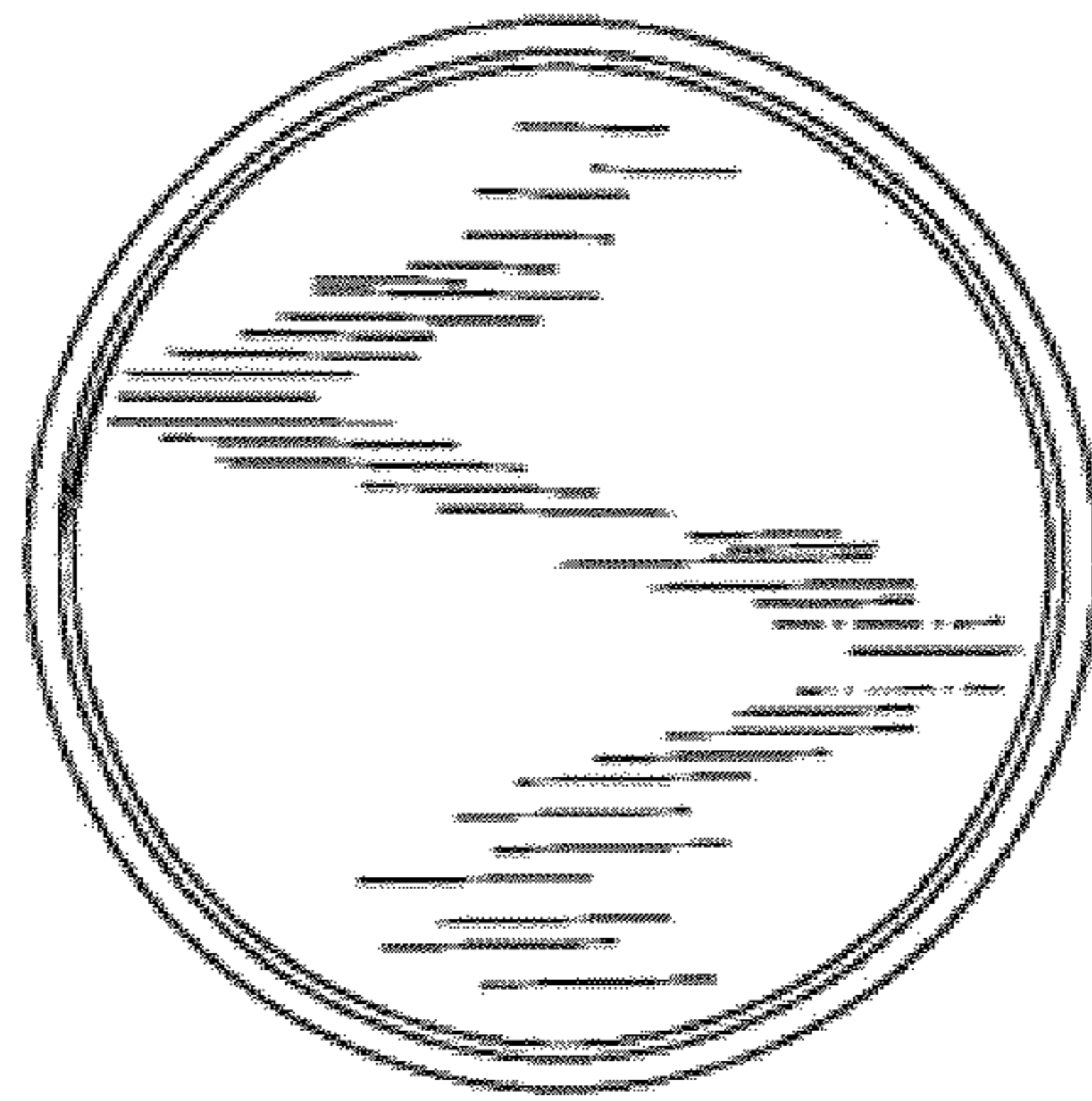


Fig. 25

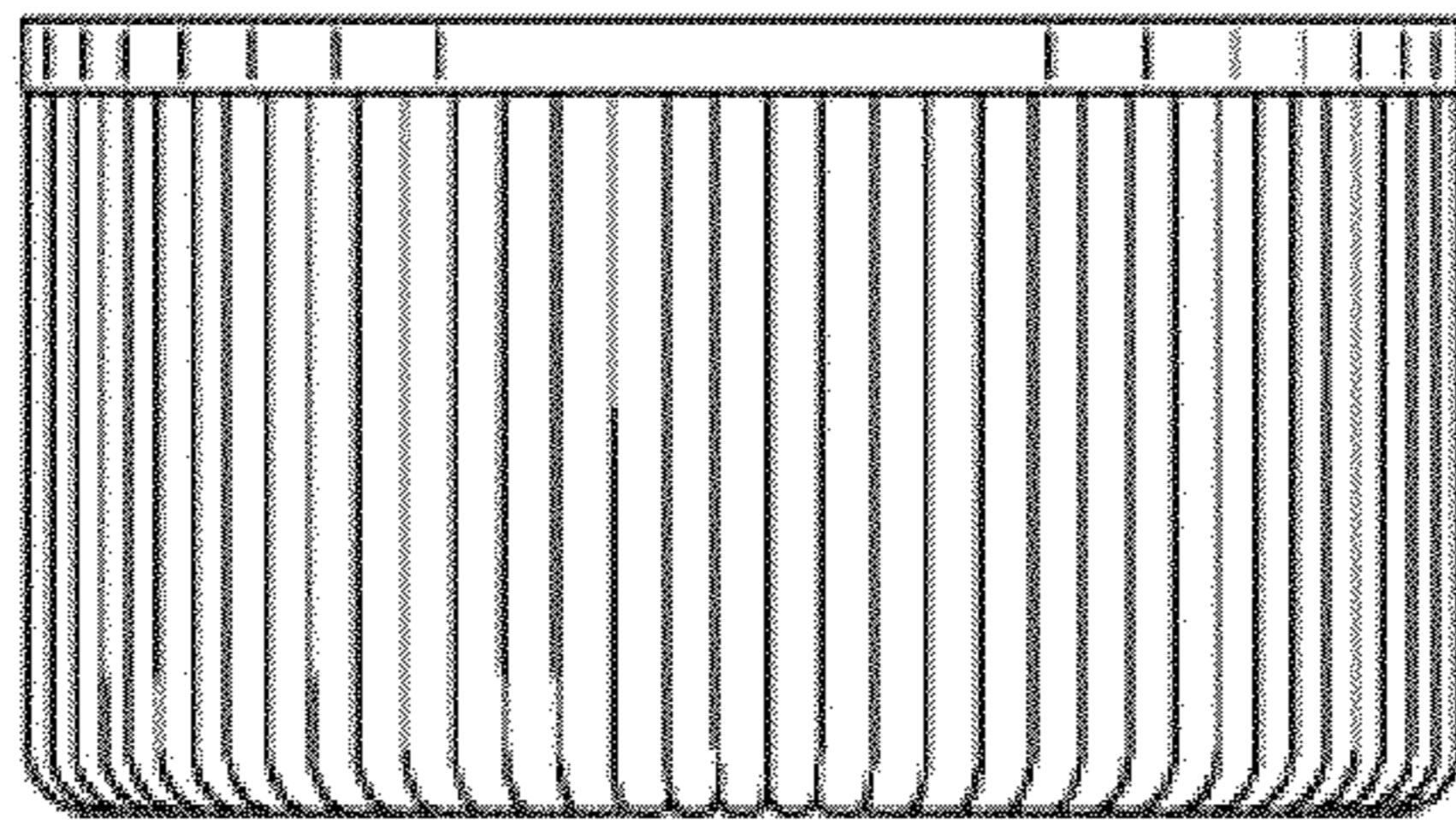


Fig. 26

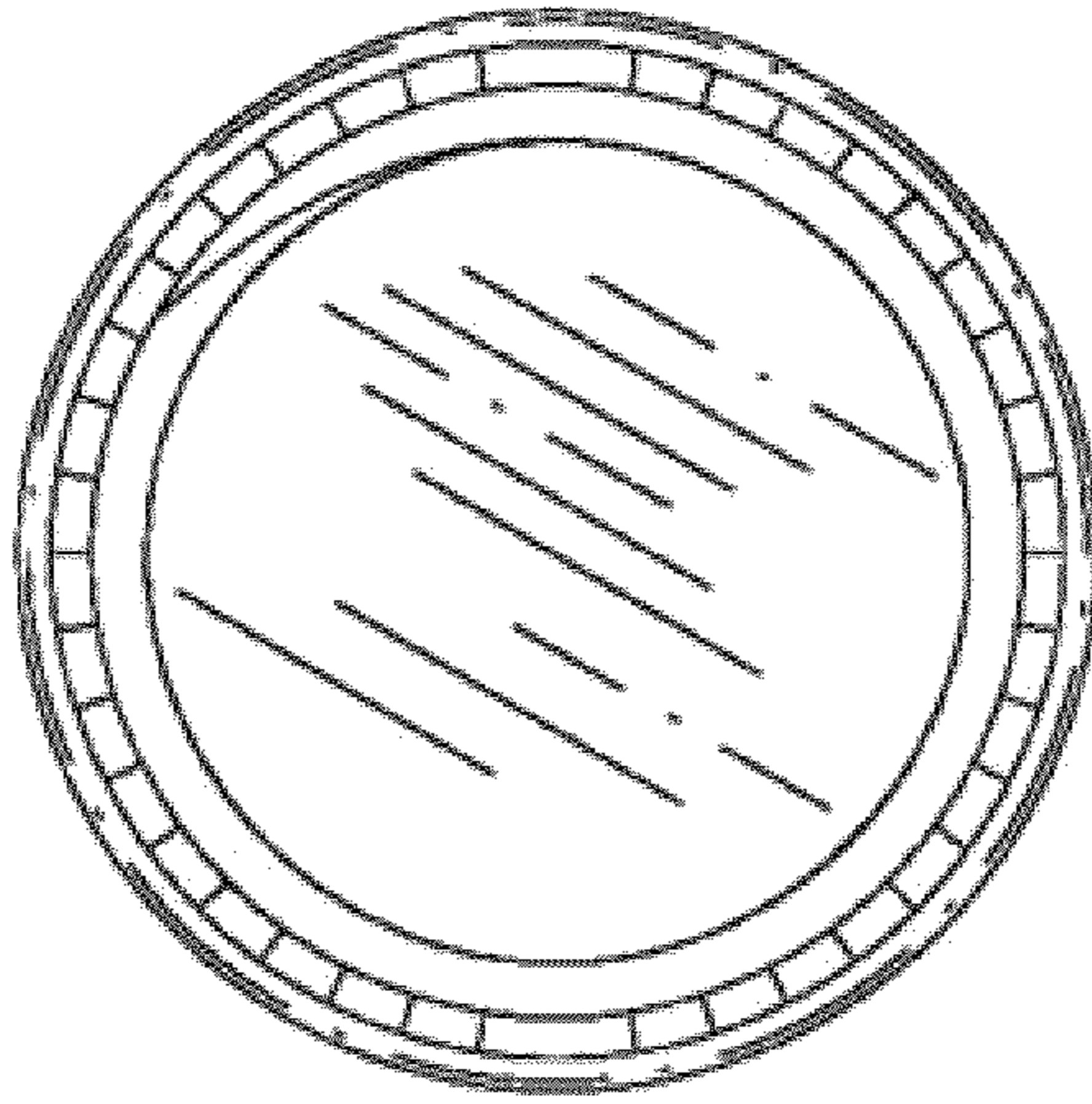


Fig. 27

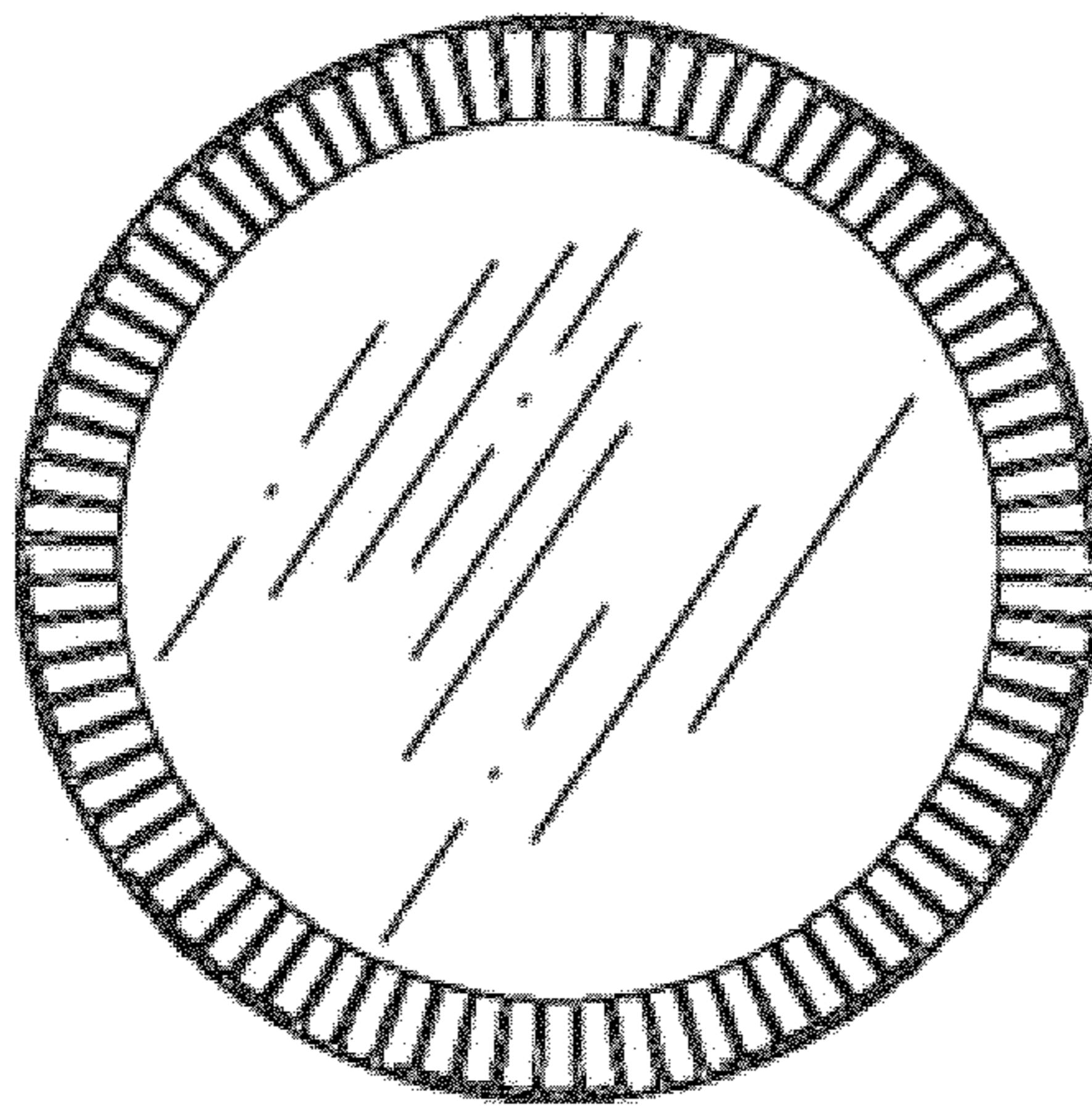


Fig. 28