



US00D708917S

(12) **United States Design Patent**
Wong

(10) **Patent No.:** **US D708,917 S**
(45) **Date of Patent:** **** Jul. 15, 2014**

(54) **FOOD CUTTING DEVICE**

(71) Applicant: **Yan Kwong Wong**, Kowloon (HK)

(72) Inventor: **Yan Kwong Wong**, Kowloon (HK)

(**) Term: **14 Years**

(21) Appl. No.: **29/434,484**

(22) Filed: **Oct. 12, 2012**

(30) **Foreign Application Priority Data**

Apr. 12, 2012 (HK) 1200656

(51) **LOC (10) CL.** **07-04**

(52) **U.S. CL.**
USPC **D7/672; D7/673**

(58) **Field of Classification Search**
CPC B26D 7/00; B26D 7/0006; B26D 7/01;
B26D 7/02; B26D 3/18; B26D 3/26; B26D
9/00; B26D 3/185; A21C 11/10; A21C 11/06;
A21C 11/12; A21C 11/16; A21C 11/163;
A21C 15/04; A47J 17/04; A47J 25/00;
A47J 19/022
USPC D7/672-674, 677, 693; 30/279.6,
30/114-117, 301-306; 83/669, 856, 857,
83/651.1, 662, 597, 167; 241/95, 168,
241/169, 273.1-273.4, 274, 257.1, 100,
241/285.2; D15/135

See application file for complete search history.

(56) **References Cited**

U.S. PATENT DOCUMENTS

1,834,717 A * 12/1931 Knapp 241/273.1
1,930,056 A * 10/1933 Klingler 241/169
D167,270 S * 7/1952 Marcus D7/678
2,615,486 A * 10/1952 Marcus 241/168
2,720,157 A * 10/1955 Harrison 99/340
3,554,253 A * 1/1971 Vasile 99/507
5,745,999 A * 5/1998 Zirkiev 30/278
D499,615 S * 12/2004 Nordgren D7/674

D512,609 S * 12/2005 Kaposi D7/672
D519,001 S * 4/2006 So D7/678
D532,431 S * 11/2006 Kreuzer D15/135
D535,532 S * 1/2007 So D7/673
D543,422 S * 5/2007 Kaposi D7/674
D545,642 S * 7/2007 Wong D7/674
D548,022 S * 8/2007 Kaposi D7/673
D548,025 S * 8/2007 Kaposi D7/693
D573,853 S * 7/2008 Ericsson D7/672
7,444,909 B2 * 11/2008 Repac et al. 83/167
D589,309 S * 3/2009 Olivari D7/672
D618,517 S * 6/2010 Wong D7/672
2004/0055437 A1 * 3/2004 Engdahl 83/597
2006/0090352 A1 * 5/2006 Kaposi 30/299
2006/0218799 A1 * 10/2006 Kaposi 30/302
2007/0125210 A1 * 6/2007 Kaposi 83/167
2012/0055303 A1 * 3/2012 Repac 83/167

* cited by examiner

Primary Examiner — Ian Simmons

Assistant Examiner — Shannon Morgan

(74) *Attorney, Agent, or Firm* — Howard C. Miskin; Gloria Tsui-Yip; Miskin B. Tsui-Yip LLP

(57) **CLAIM**

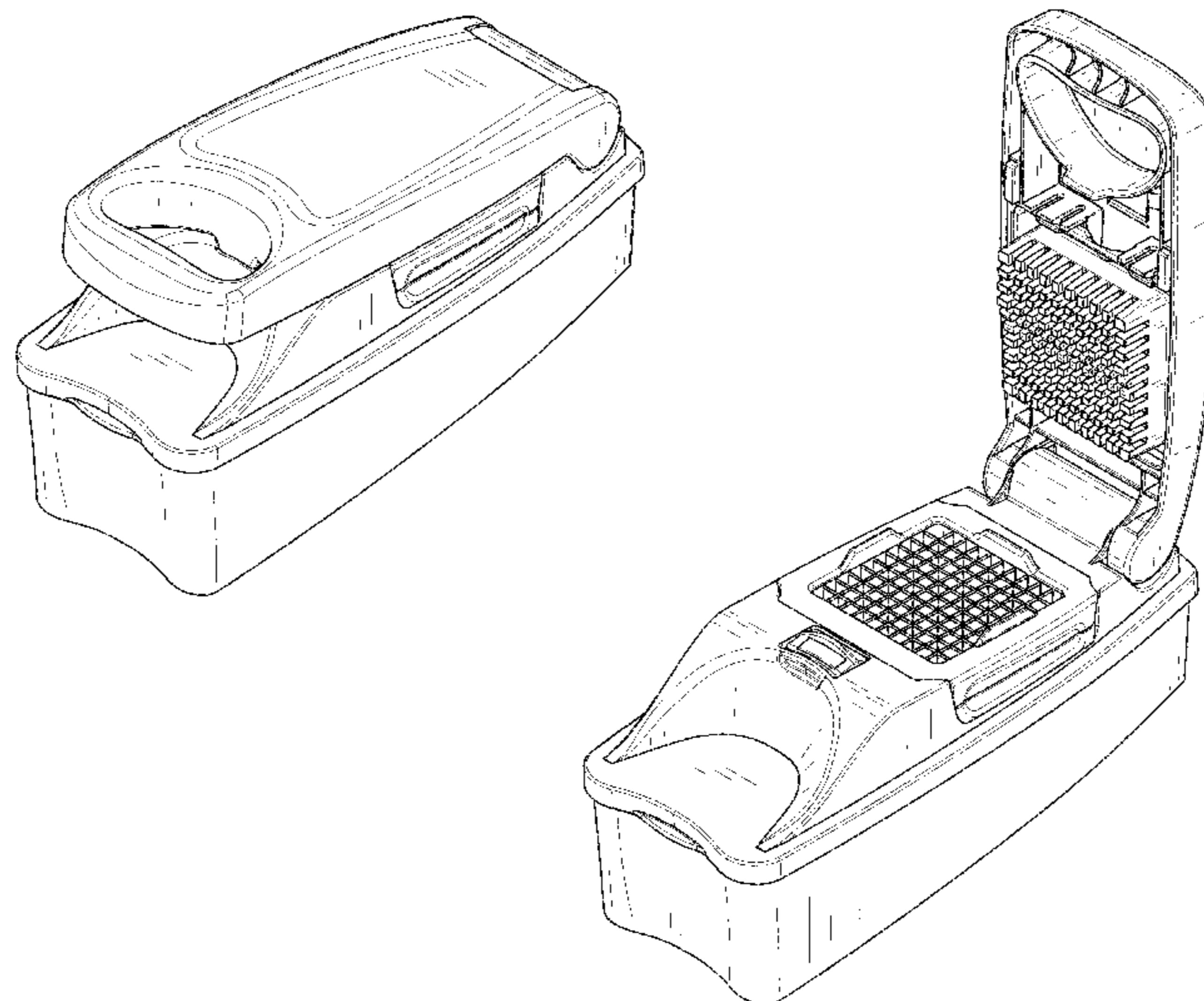
The ornamental design for a food cutting device, as shown and described.

DESCRIPTION

FIG. 1 is a front elevational view of my new design;
FIG. 2 is a top plan view thereof;
FIG. 3 is a rear elevational view thereof;
FIG. 4 is a bottom plan view thereof;
FIG. 5 is a right side elevational view thereof;
FIG. 6 is a left side elevational view thereof;
FIG. 7 is a top, front right perspective view thereof; and,
FIG. 8 is a top, front right perspective view shown open thereof.

The broken lines in FIGS. 3 and 4 of the food cutting device are for the purpose of illustrating environment, and form no part of the claimed design.

1 Claim, 7 Drawing Sheets



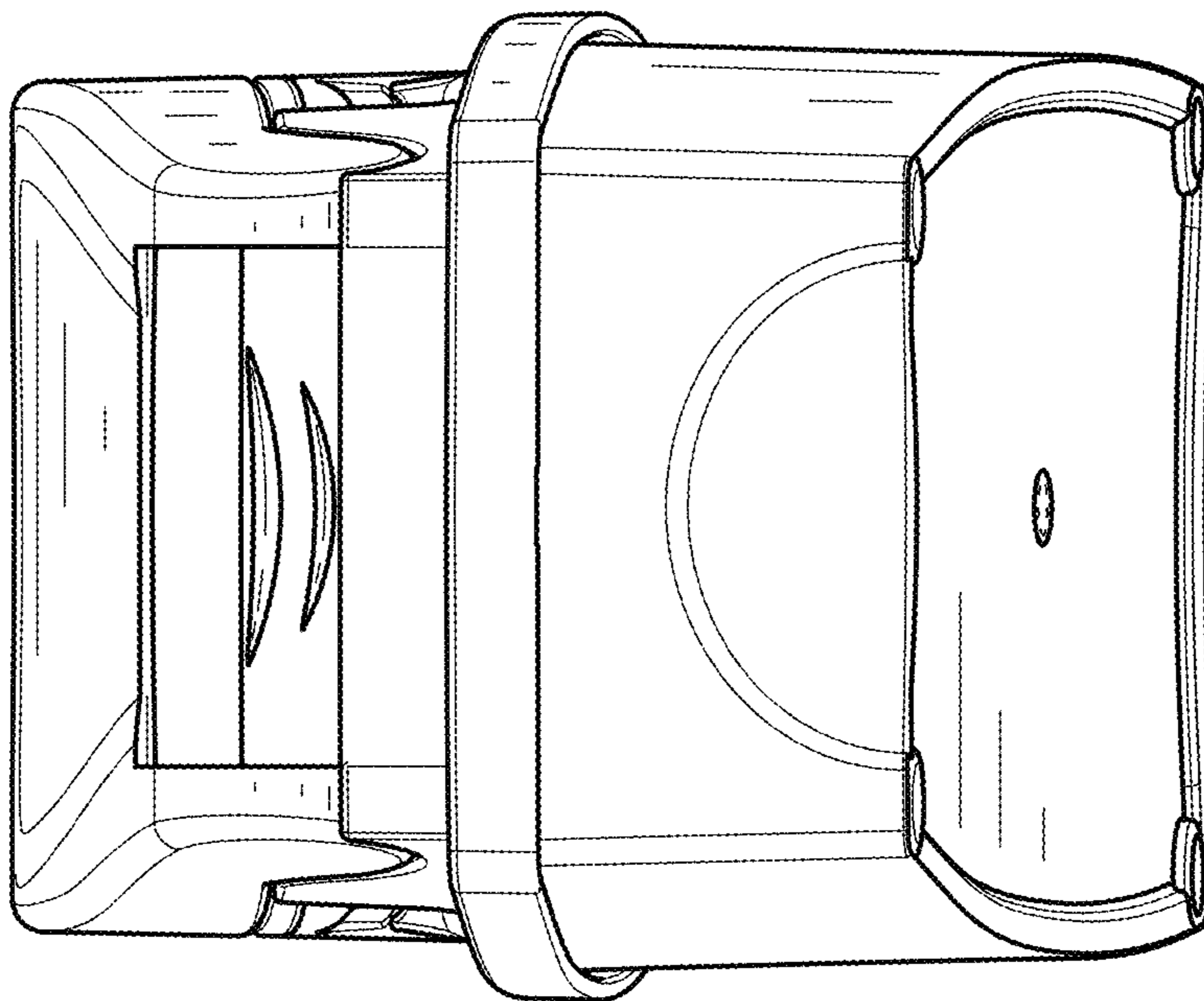


Fig.3

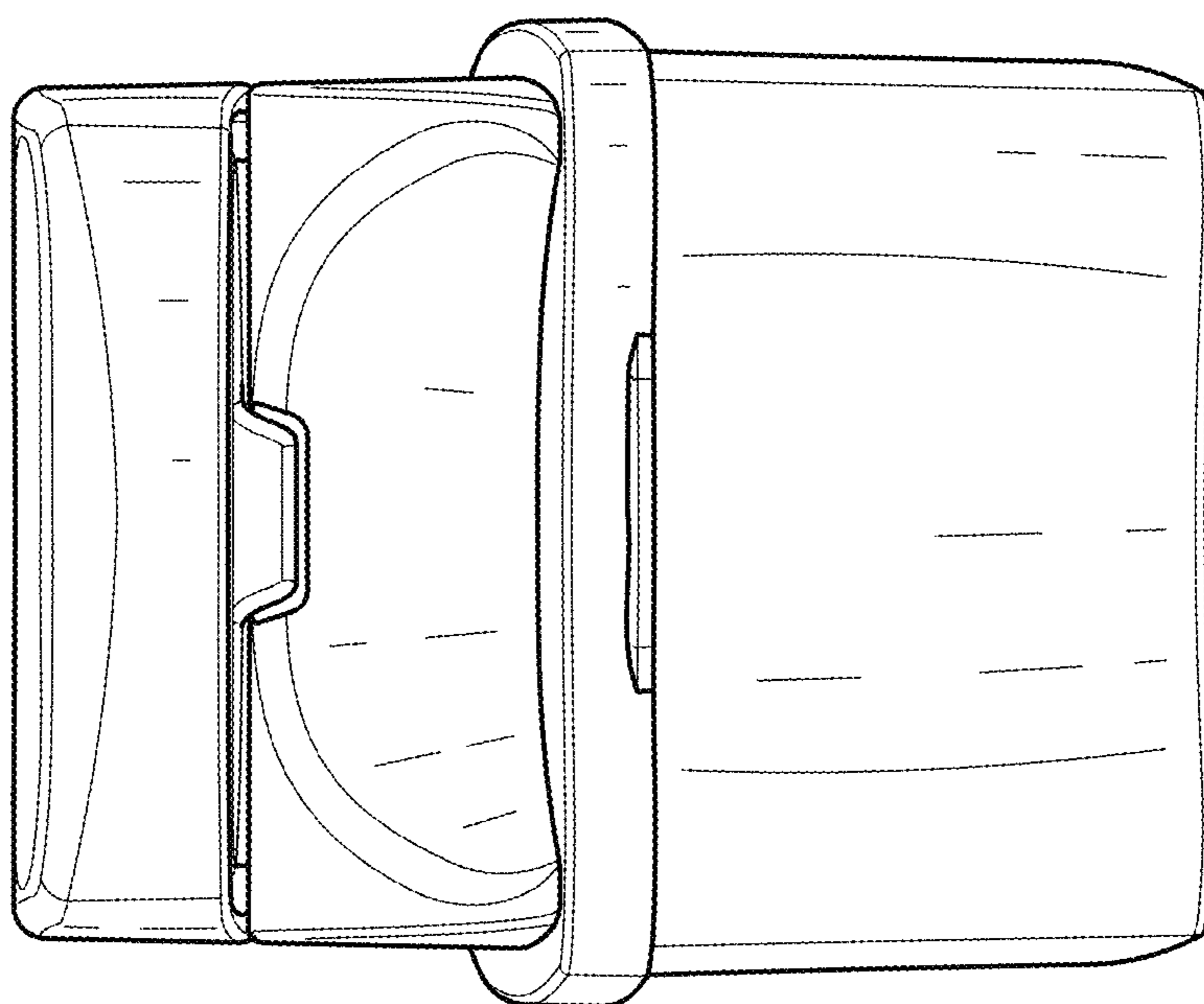


Fig.1

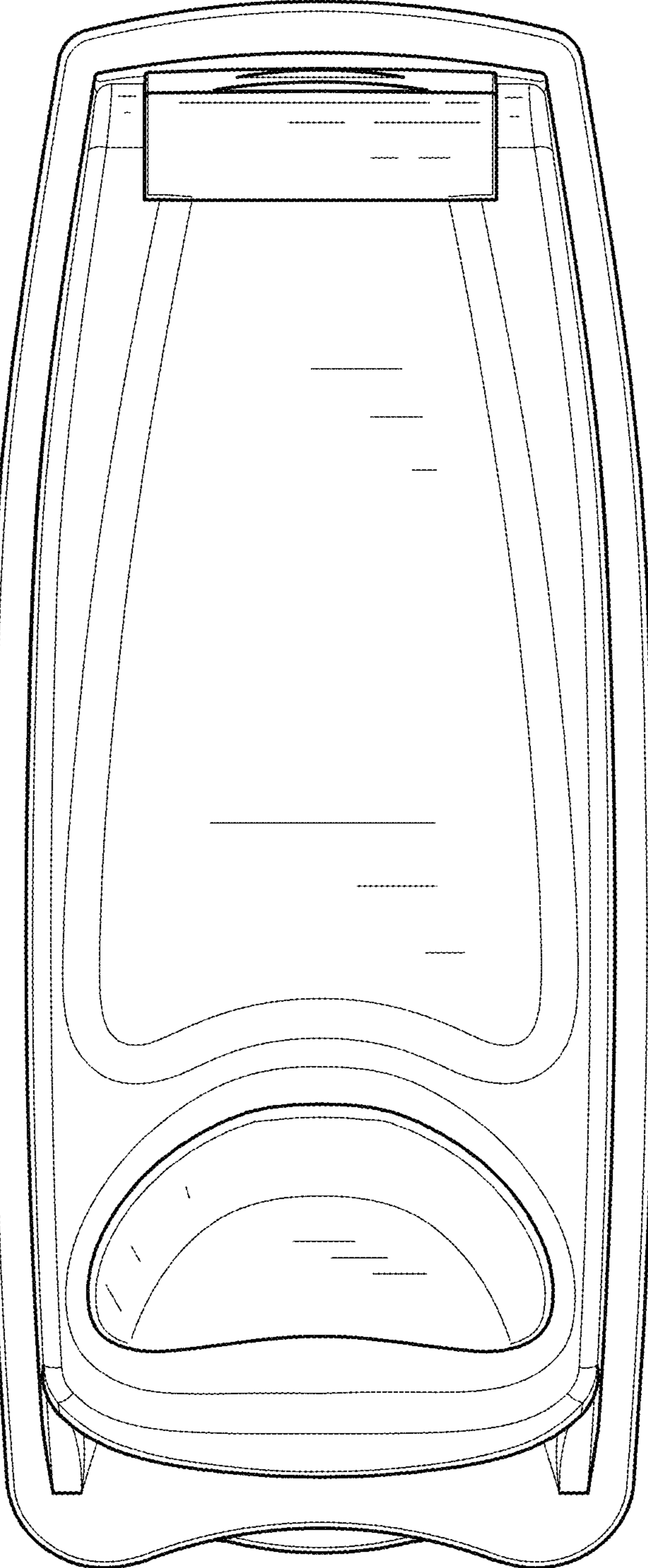


Fig.2

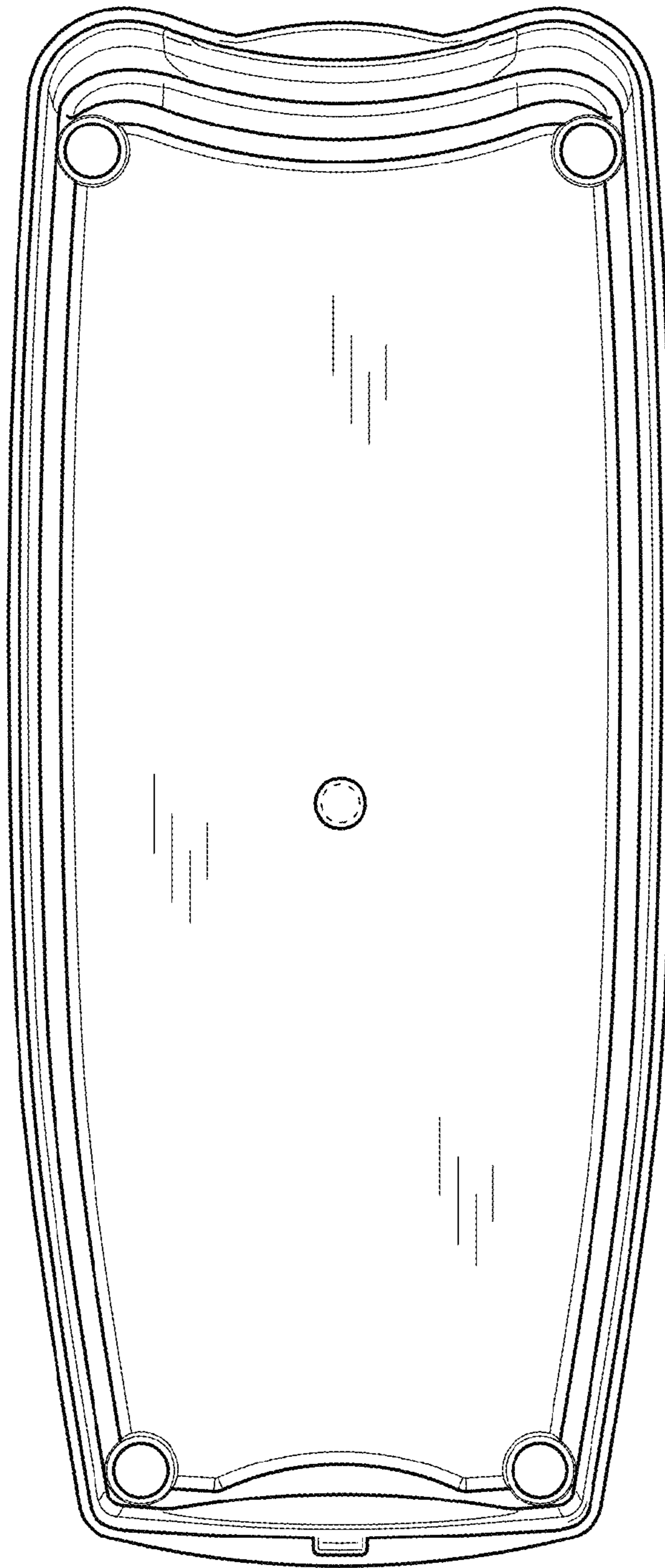


Fig.4



Fig.5

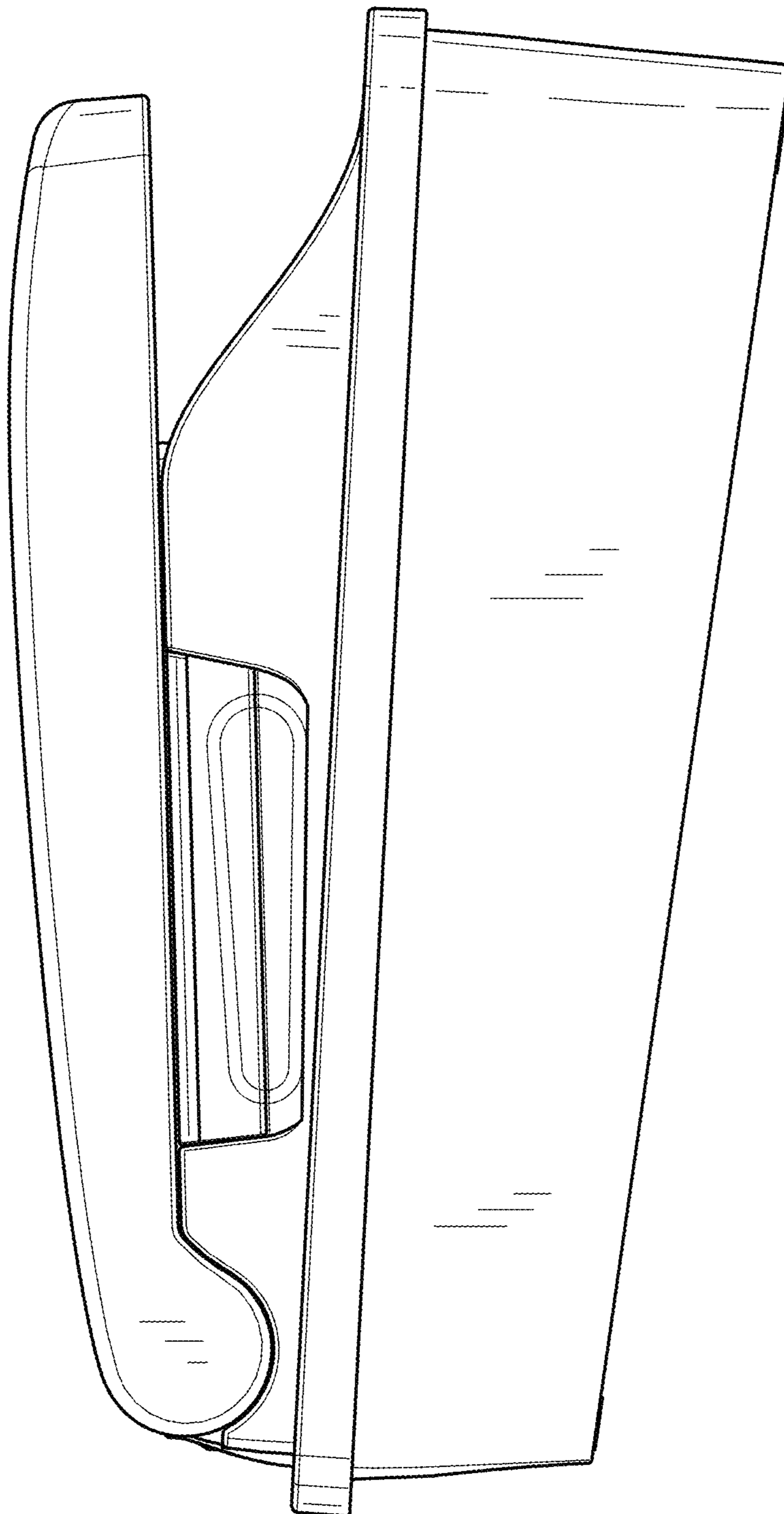


Fig.6

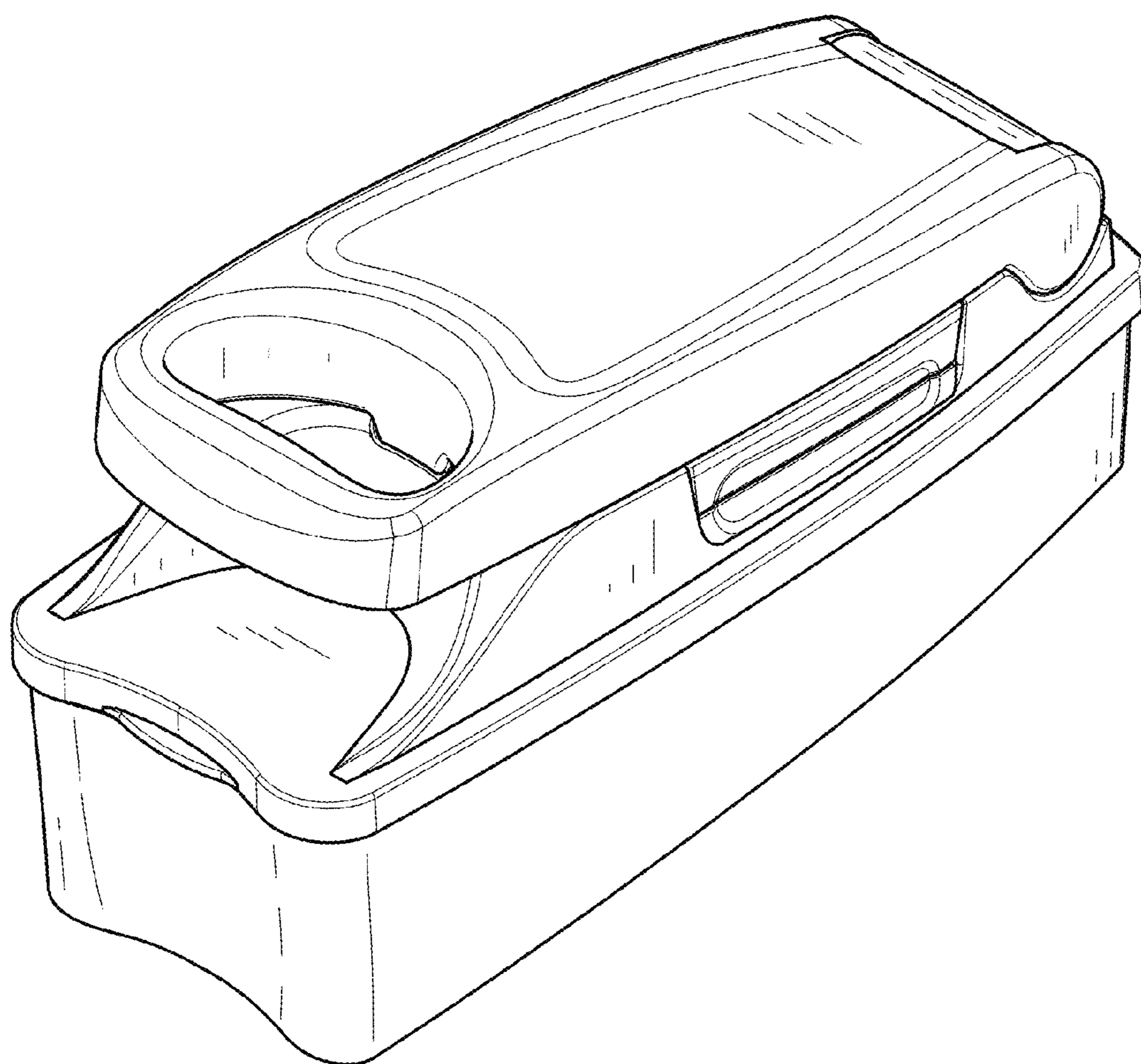


Fig.7

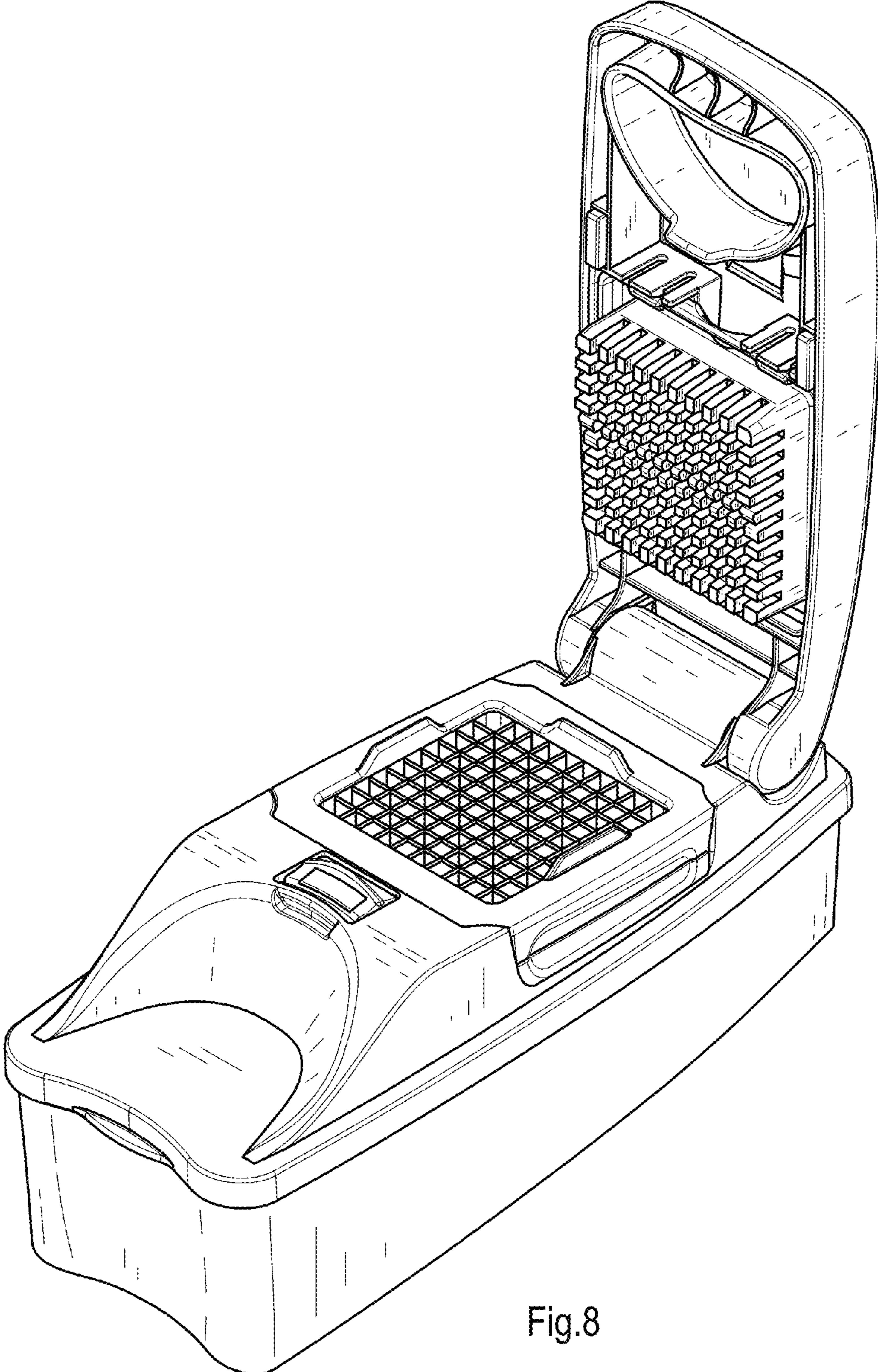


Fig.8