



US00D708915S

(12) **United States Design Patent**
Wong

(10) **Patent No.:** **US D708,915 S**
(45) **Date of Patent:** **** Jul. 15, 2014**

(54) **PRESS FOR FRUITS AND VEGETABLES**

(56) **References Cited**

(71) Applicant: **Yan Kwong Wong**, Kowloon (HK)

U.S. PATENT DOCUMENTS

(72) Inventor: **Yan Kwong Wong**, Kowloon (HK)

D206,927 S *	2/1967	Popell	D7/372
D260,351 S *	8/1981	Shun	D7/372
D332,899 S *	2/1993	Shun	D7/666
D424,889 S *	5/2000	Yip	D7/679
D475,253 S *	6/2003	Yip	D7/666

(**) Term: **14 Years**

* cited by examiner

(21) Appl. No.: **29/443,140**

Primary Examiner — Terry Wallace

(22) Filed: **Jan. 14, 2013**

(74) *Attorney, Agent, or Firm* — Howard C. Miskin; Gloria Tsui-Yip; Miskin & Tsui-Yip LLP

(30) **Foreign Application Priority Data**

(57) **CLAIM**

The ornamental design for an press for fruits and vegetables, as shown and described.

Jul. 16, 2012 (HK) 1201432.0

DESCRIPTION

(51) **LOC (10) Cl.** **07-04**

(52) **U.S. Cl.**

USPC **D7/666; D7/693**

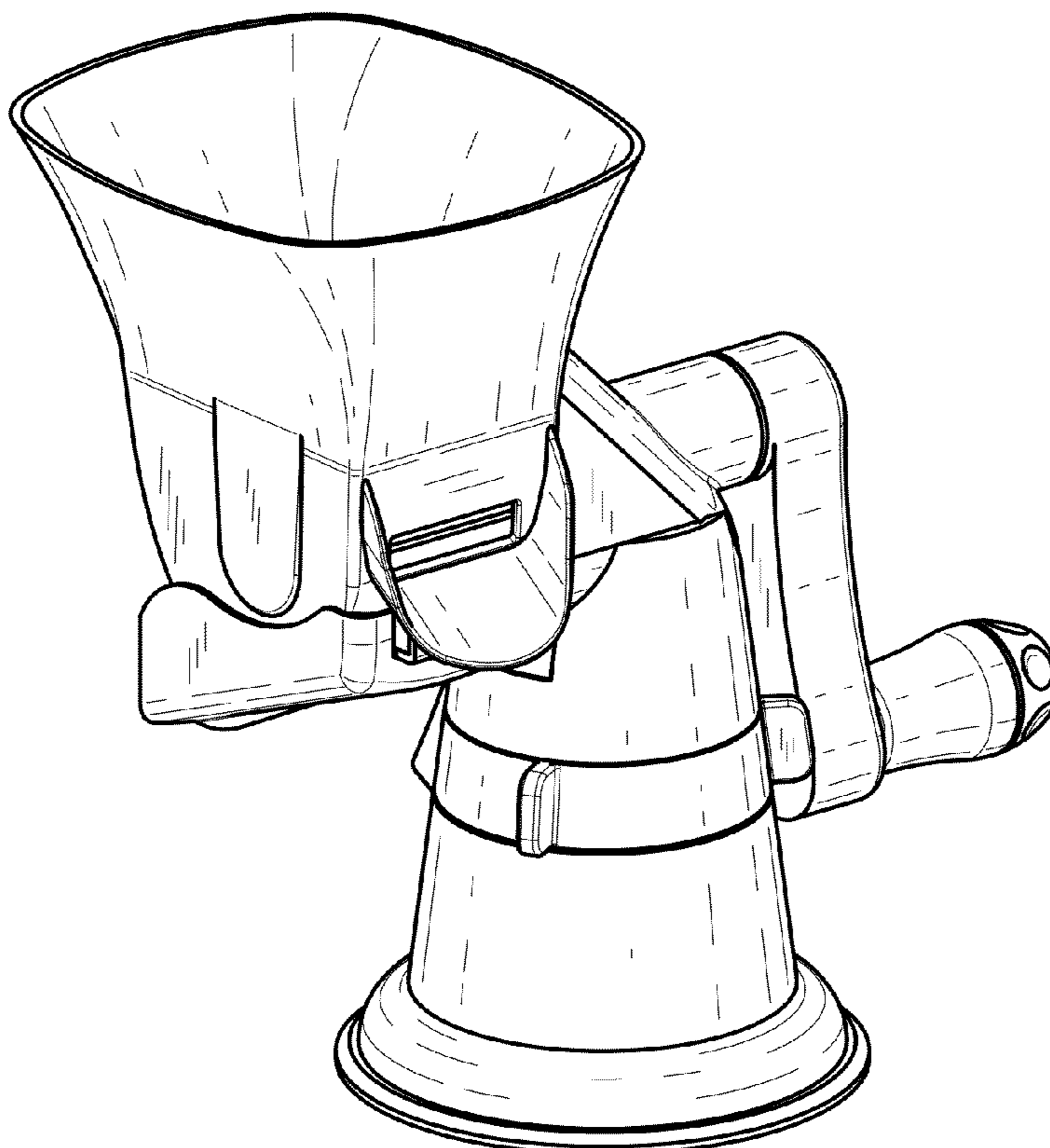
(58) **Field of Classification Search**

USPC D7/666, 665, 693, 672, 376–385;
99/499, 501–510; 241/100

FIG. 1 is a front elevational view of my new design;
FIG. 2 is a left side view thereof;
FIG. 3 is a rear elevational view thereof;
FIG. 4 is a right side view thereof;
FIG. 5 is a top plan view thereof;
FIG. 6 is a bottom plan view thereof;
FIG. 7 is a perspective view thereof; and,
FIG. 8 is another perspective view thereof.

See application file for complete search history.

1 Claim, 5 Drawing Sheets



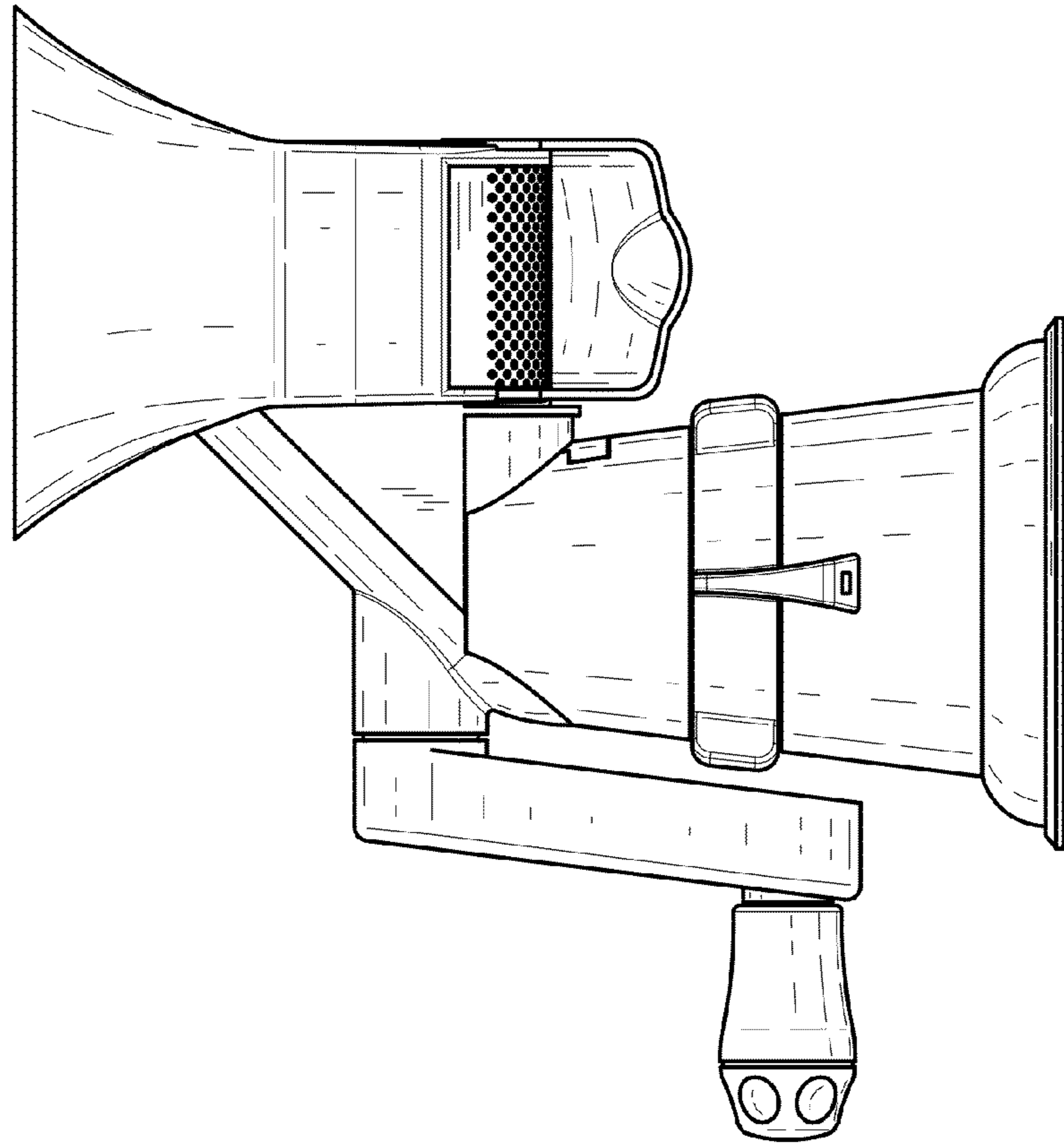


Fig. 1

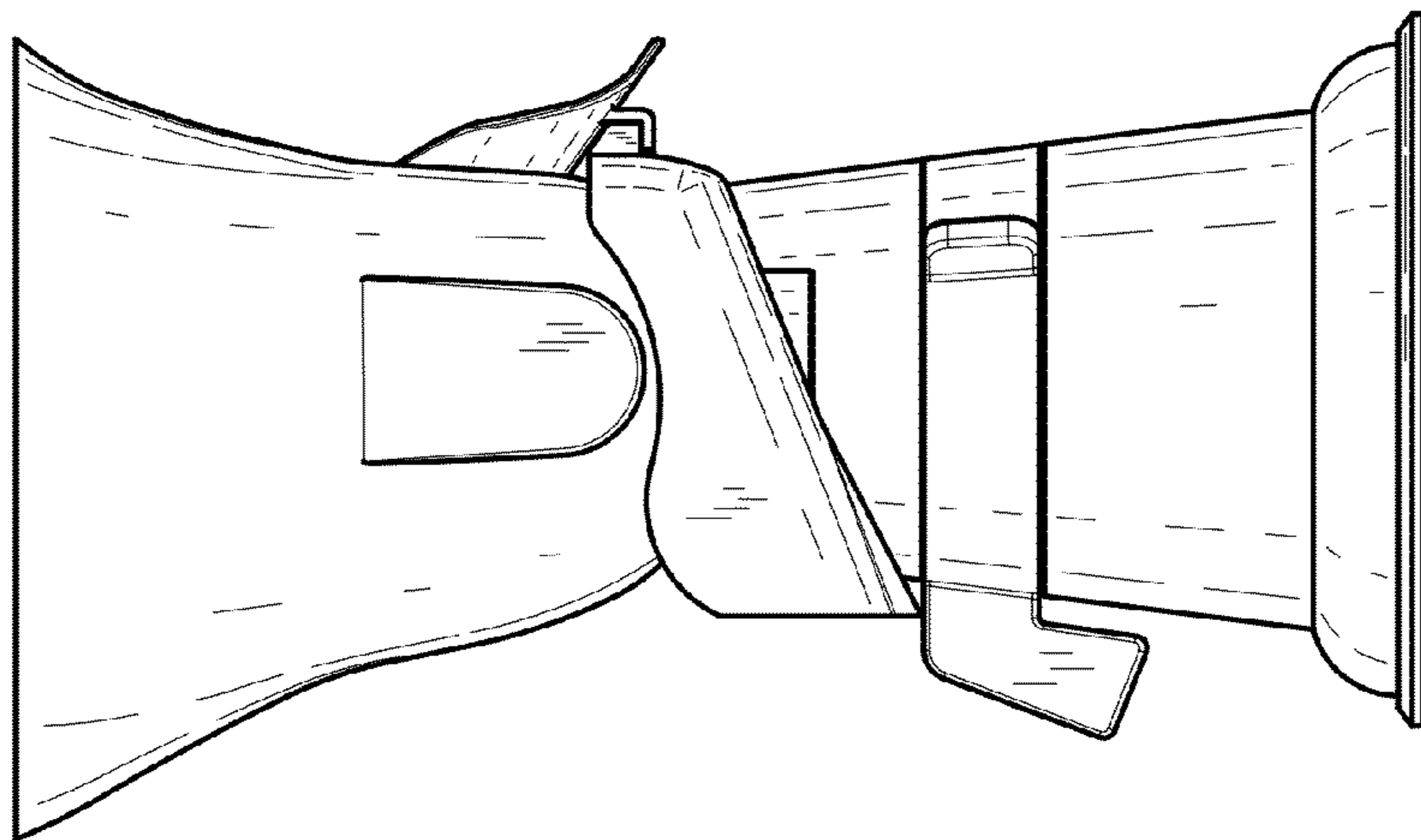


Fig. 2

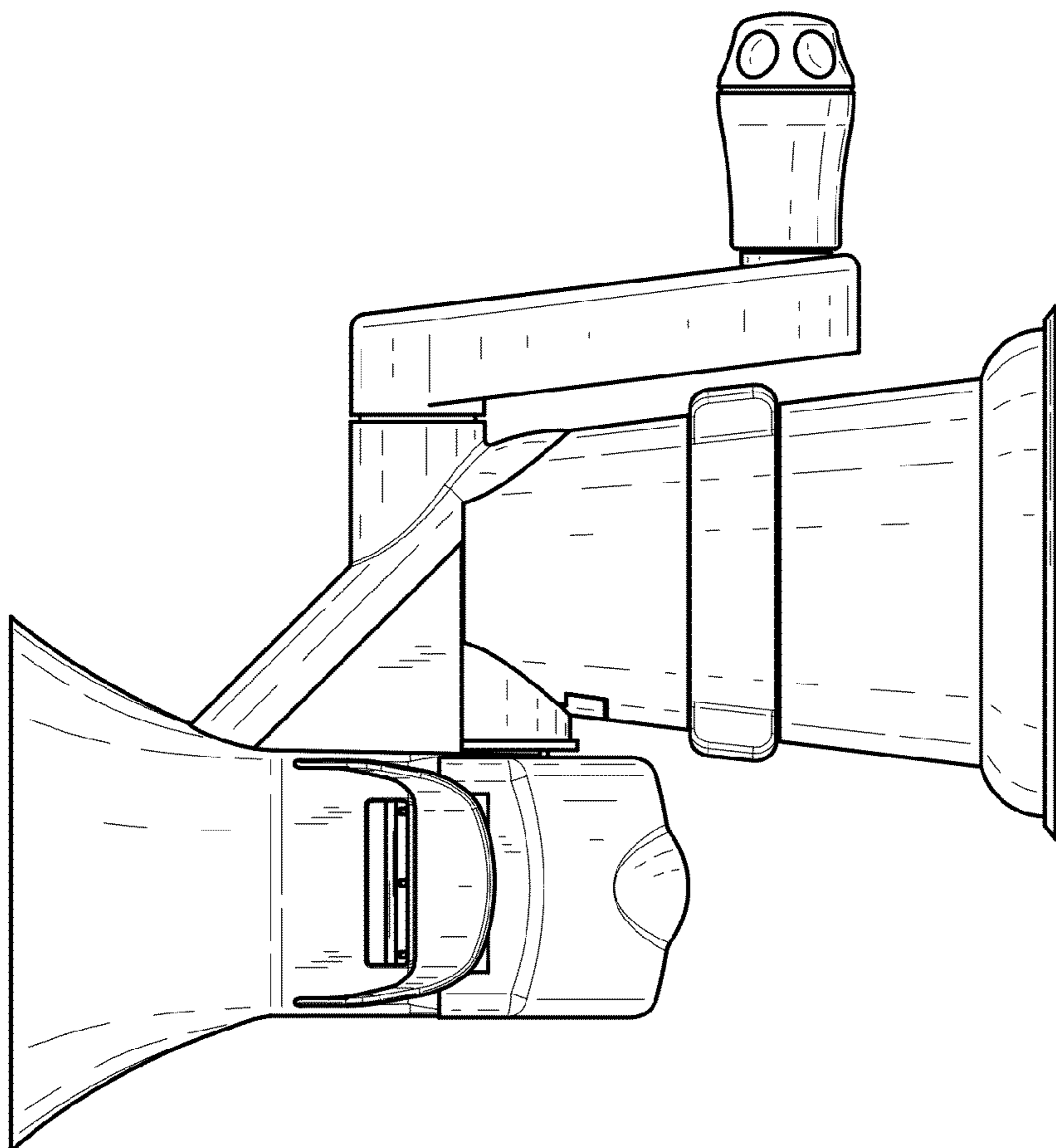


Fig.4

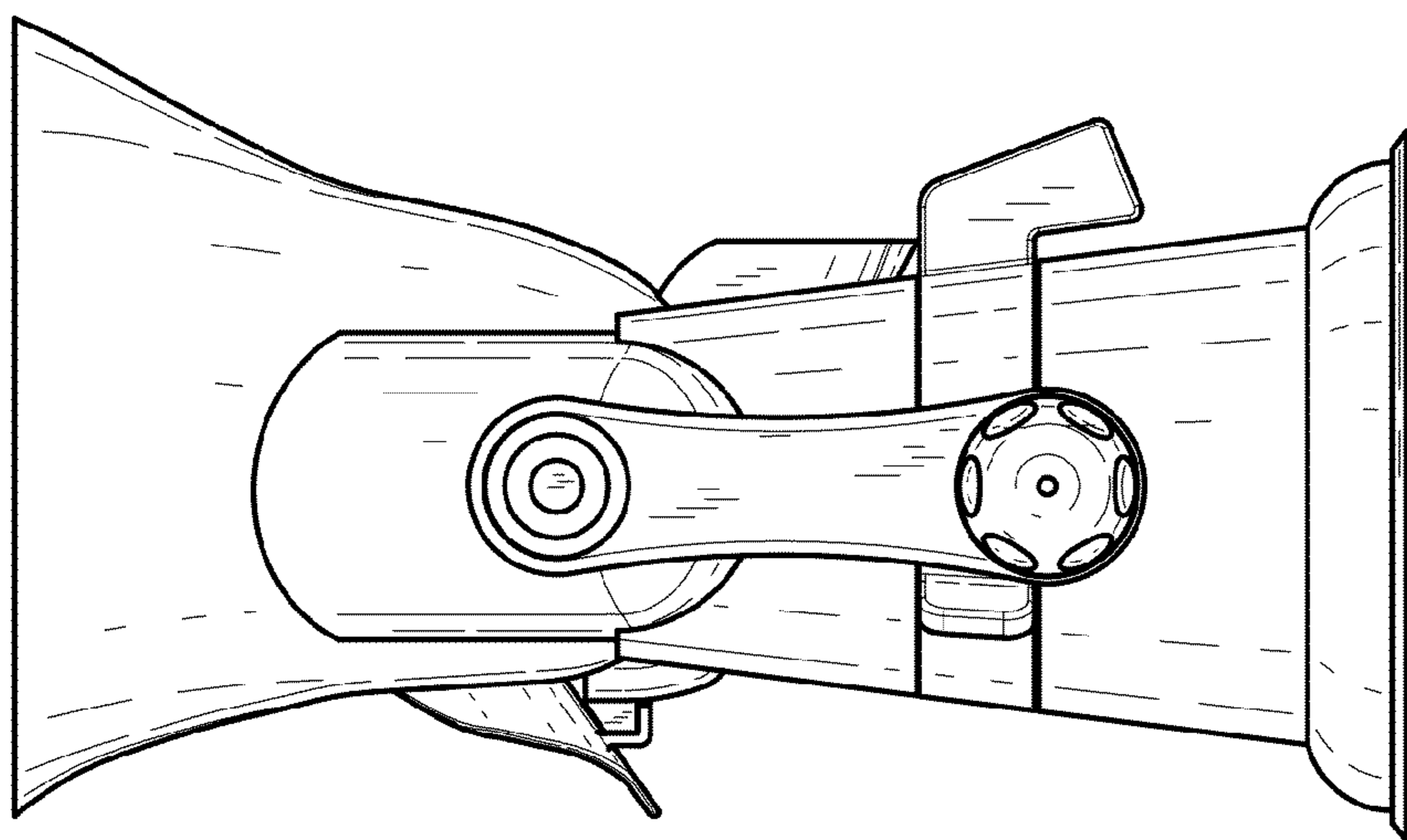


Fig.3

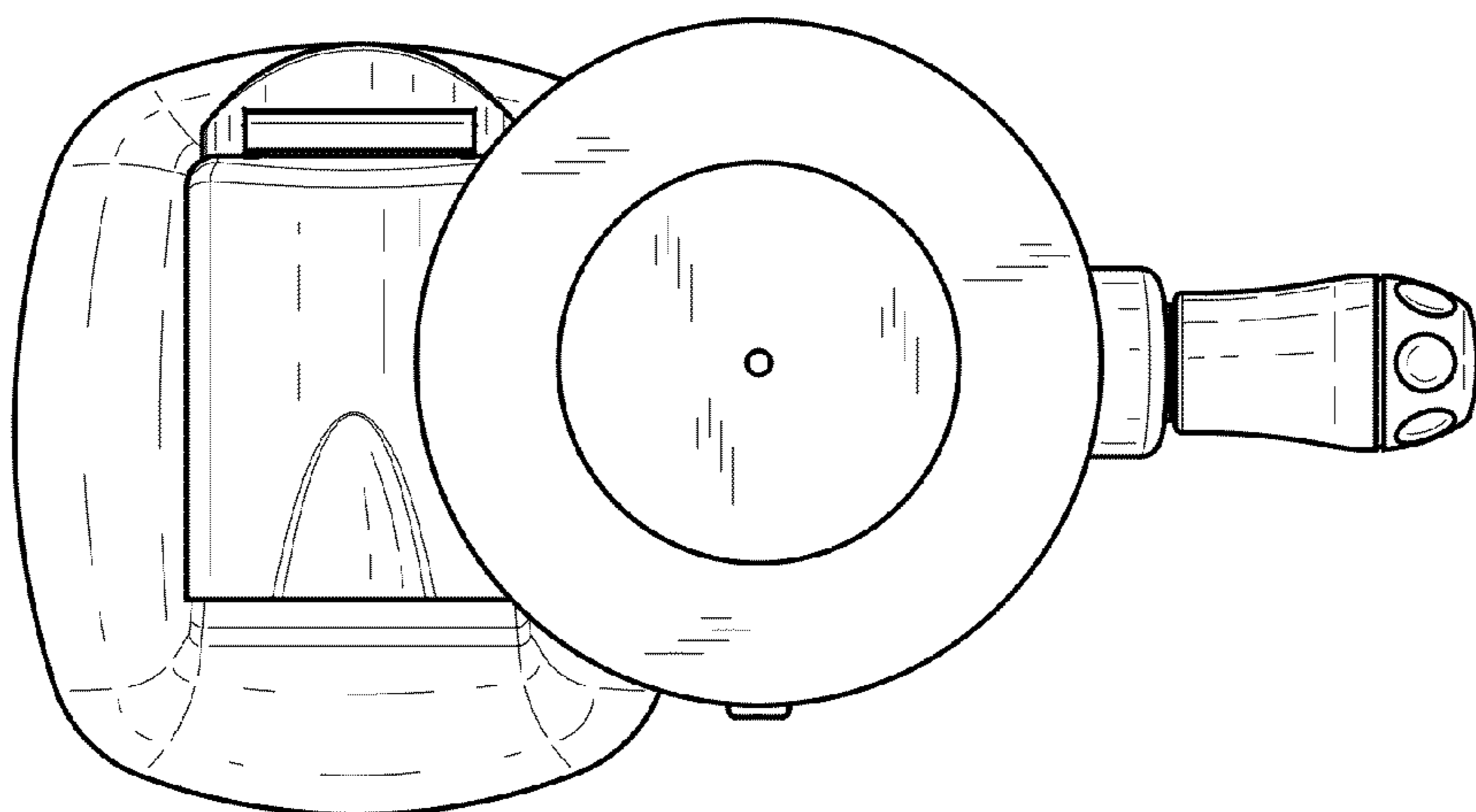


Fig.6

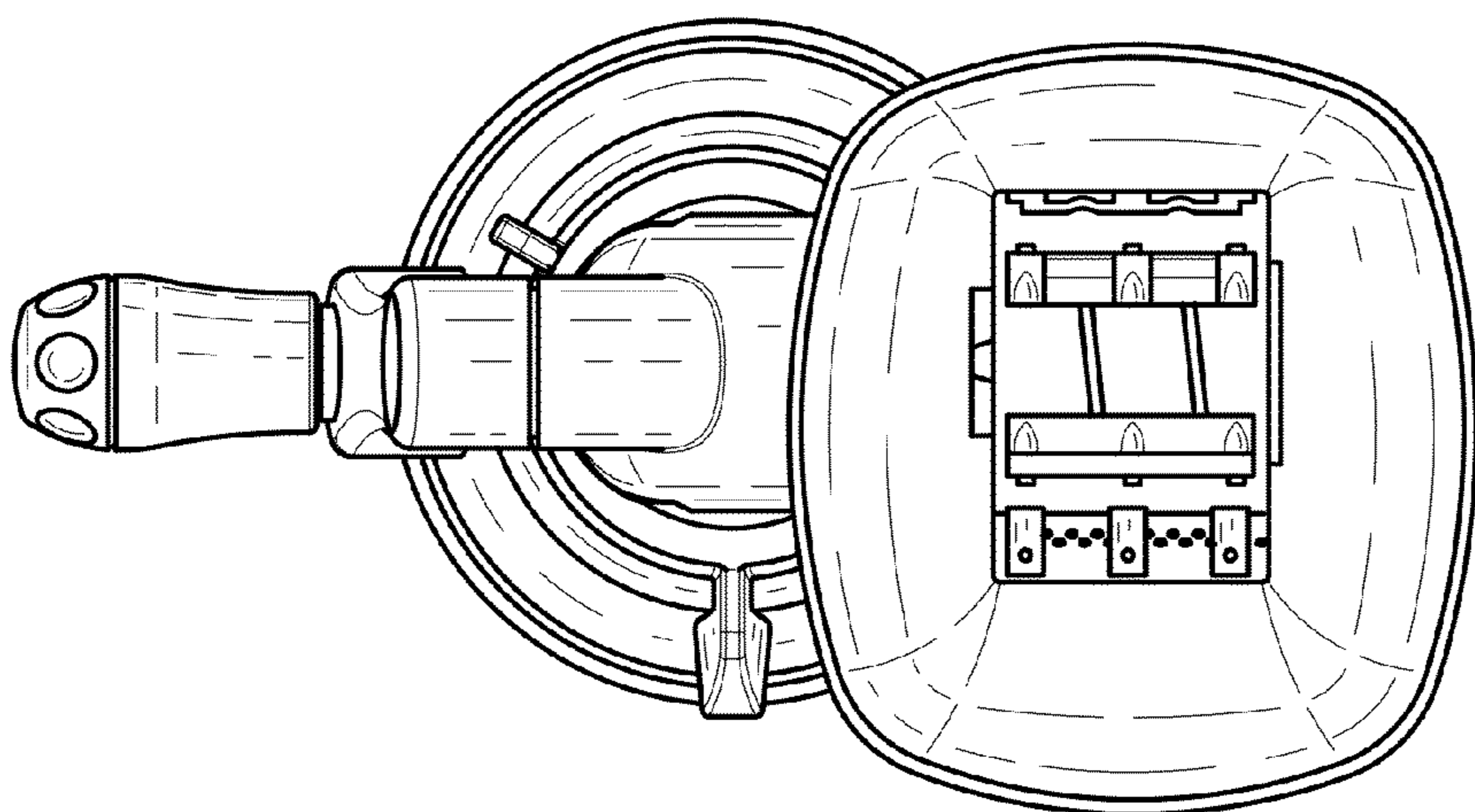


Fig.5

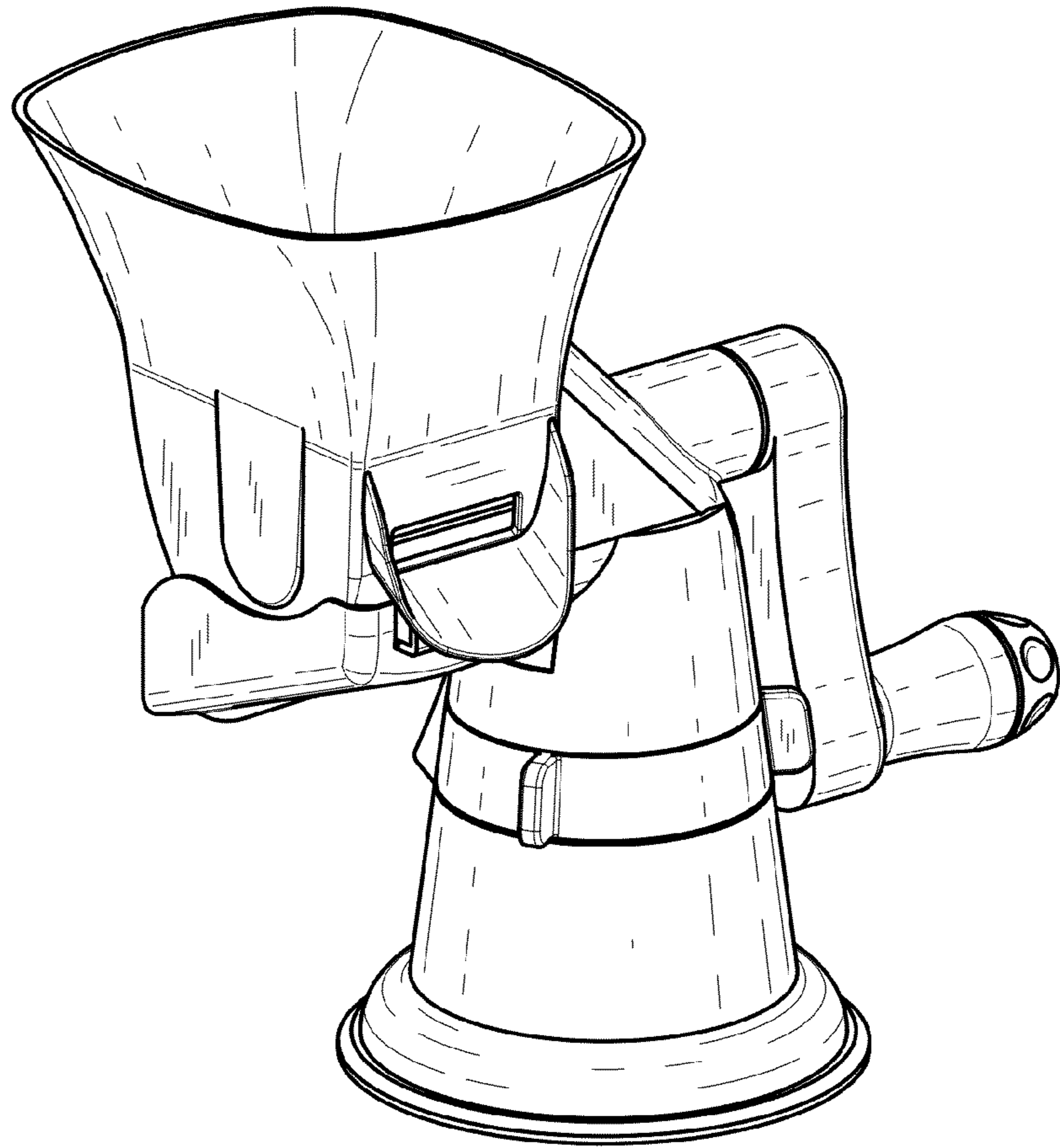


Fig.7

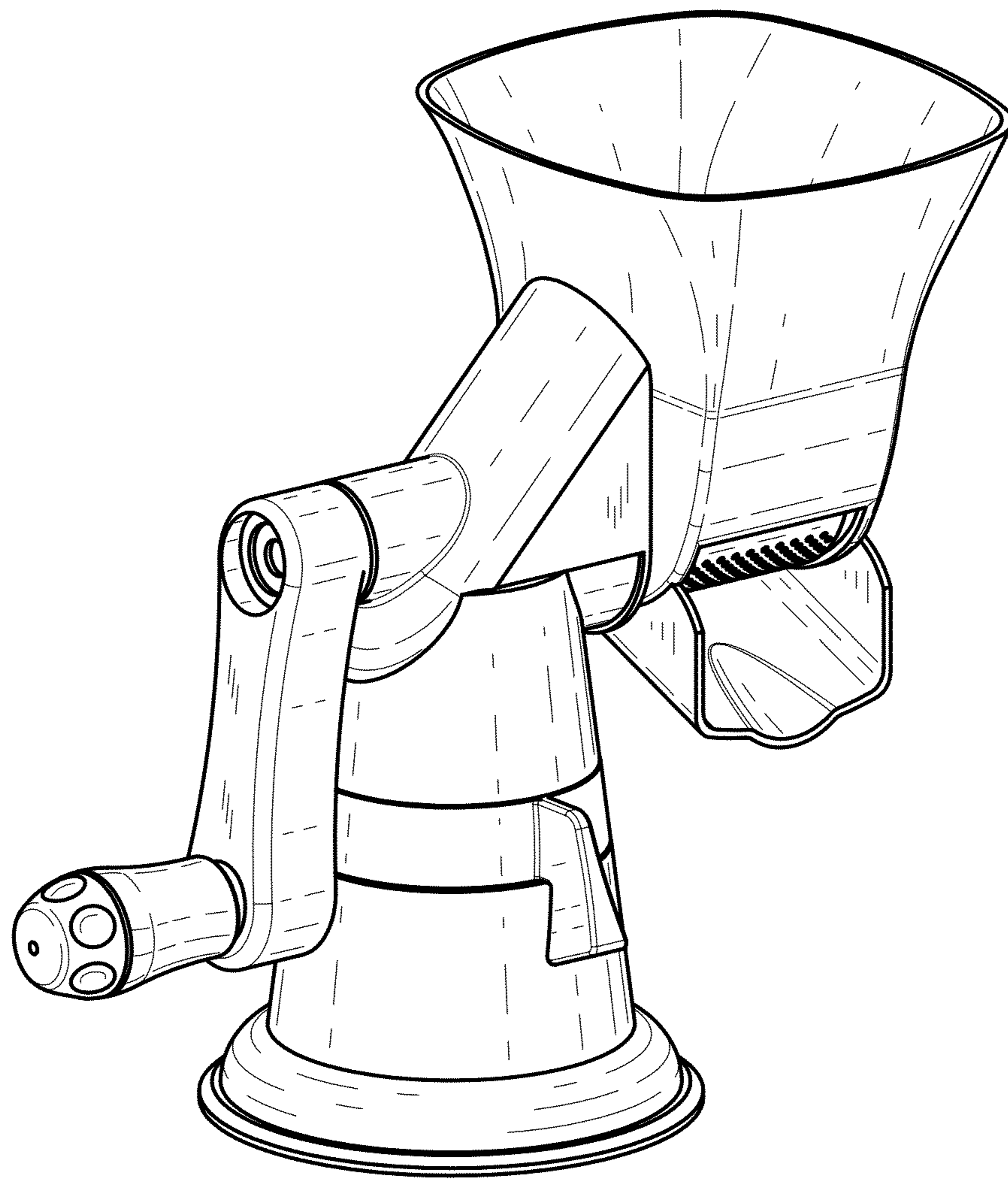


Fig.8