



US00D708914S

(12) **United States Design Patent**
Moran, Sr.

(10) **Patent No.:** **US D708,914 S**
(45) **Date of Patent:** **** Jul. 15, 2014**

(54) **CONTAINER**

(71) Applicant: **Megatrade International, Inc.**,
Nashville, TN (US)

(72) Inventor: **Jorge Eugenio Moran, Sr.**, Nashville,
TN (US)

(73) Assignee: **Megatrade International, Inc.**,
Nashville, TN (US)

(**) Term: **14 Years**

(21) Appl. No.: **29/449,857**

(22) Filed: **Mar. 15, 2013**

Related U.S. Application Data

(62) Division of application No. 29/398,648, filed on Aug.
3, 2011, now Pat. No. Des. 685,229.

(51) **LOC (10) Cl.** **07-07**

(52) **U.S. Cl.**
USPC **D7/629; D7/608**

(58) **Field of Classification Search**
USPC D7/629, 630, 602, 605-608;
62/457.1-457.9, 371, 372, 460, 463;
215/12.1, 12.2, 13.1, 10, 6; 220/236,
220/326, 4.23-4.25, 761, 596.16, 592.17,
220/592.22, 592.23, 592.27, 737-739, 902,
220/903

See application file for complete search history.

(56) **References Cited**

U.S. PATENT DOCUMENTS

2,954,888 A * 10/1960 Bramming 215/12.1
D370,153 S * 5/1996 Chaney et al. D7/511
D395,203 S 6/1998 Moran
D395,793 S 7/1998 Moran
D395,794 S 7/1998 Moran

D406,014 S 2/1999 Moran
D407,273 S 3/1999 Moran
D410,175 S 5/1999 Moran
D411,717 S 6/1999 Moran
D415,936 S 11/1999 Moran
6,032,481 A * 3/2000 Mosby 62/457.2
D432,367 S * 10/2000 Segura D7/608
D437,528 S 2/2001 Kitamura et al.
6,332,557 B1 12/2001 Moran
D452,799 S 1/2002 Moran
6,530,496 B2 * 3/2003 Moran 220/603
6,536,620 B2 3/2003 Moran

(Continued)

FOREIGN PATENT DOCUMENTS

FR 2866324 8/2005

Primary Examiner — Terry Wallace

(74) *Attorney, Agent, or Firm* — LeClairRyan, a
Professional Corporation

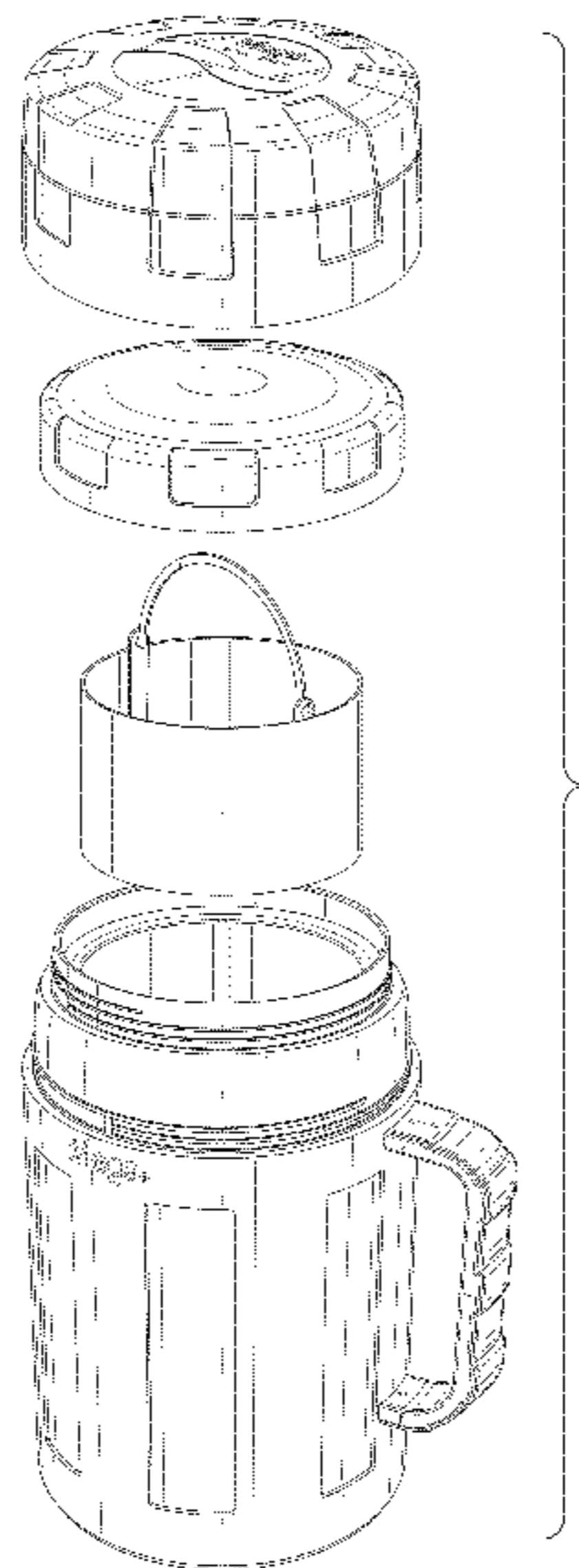
(57) **CLAIM**

The ornamental design for a container, as shown and
described.

DESCRIPTION

FIG. 1 depicts a perspective view of a container;
FIG. 2 depicts a side elevation view of FIG. 1;
FIG. 3 depicts a second side elevation view of FIG. 1;
FIG. 4 depicts a third side elevation view of FIG. 1;
FIG. 5 depicts a fourth side elevation view of FIG. 1;
FIG. 6 depicts a top plan view of FIG. 1;
FIG. 7 depicts a bottom plan view of FIG. 1;
FIG. 8 depicts a perspective view of FIG. 1 with an outer lid
removed;
FIG. 9 depicts a perspective view of FIG. 1 with the outer lid
and an inner lid removed and showing an inner container; and,
FIG. 10 depicts a perspective view of FIG. 1 with the outer lid
and the inner lid removed and lacking an inner container.

1 Claim, 10 Drawing Sheets



(56)

References Cited

U.S. PATENT DOCUMENTS

D479,785 S *	9/2003	Schuler	D7/629	D518,380 S	4/2006	Moran	
D488,961 S	4/2004	Moran		D522,816 S *	6/2006	Schuler	D7/629
D490,275 S	5/2004	Moran		D533,032 S	12/2006	Liu et al.	
6,764,622 B2 *	7/2004	Moran	264/46.5	D553,914 S	10/2007	Wahl	
D497,778 S	11/2004	Rich		D572,981 S	7/2008	Carreno	
D500,231 S	12/2004	Ward et al.		D583,200 S *	12/2008	Moran	D7/709
D503,589 S *	4/2005	Schuler	D7/608	D623,480 S *	9/2010	Moran	D7/608
D513,688 S *	1/2006	Moran	D7/605	D623,481 S	9/2010	Moran	
				D673,459 S *	1/2013	Moran, Sr.	D9/608
				2002/0092855 A1 *	7/2002	Moran	220/603

* cited by examiner

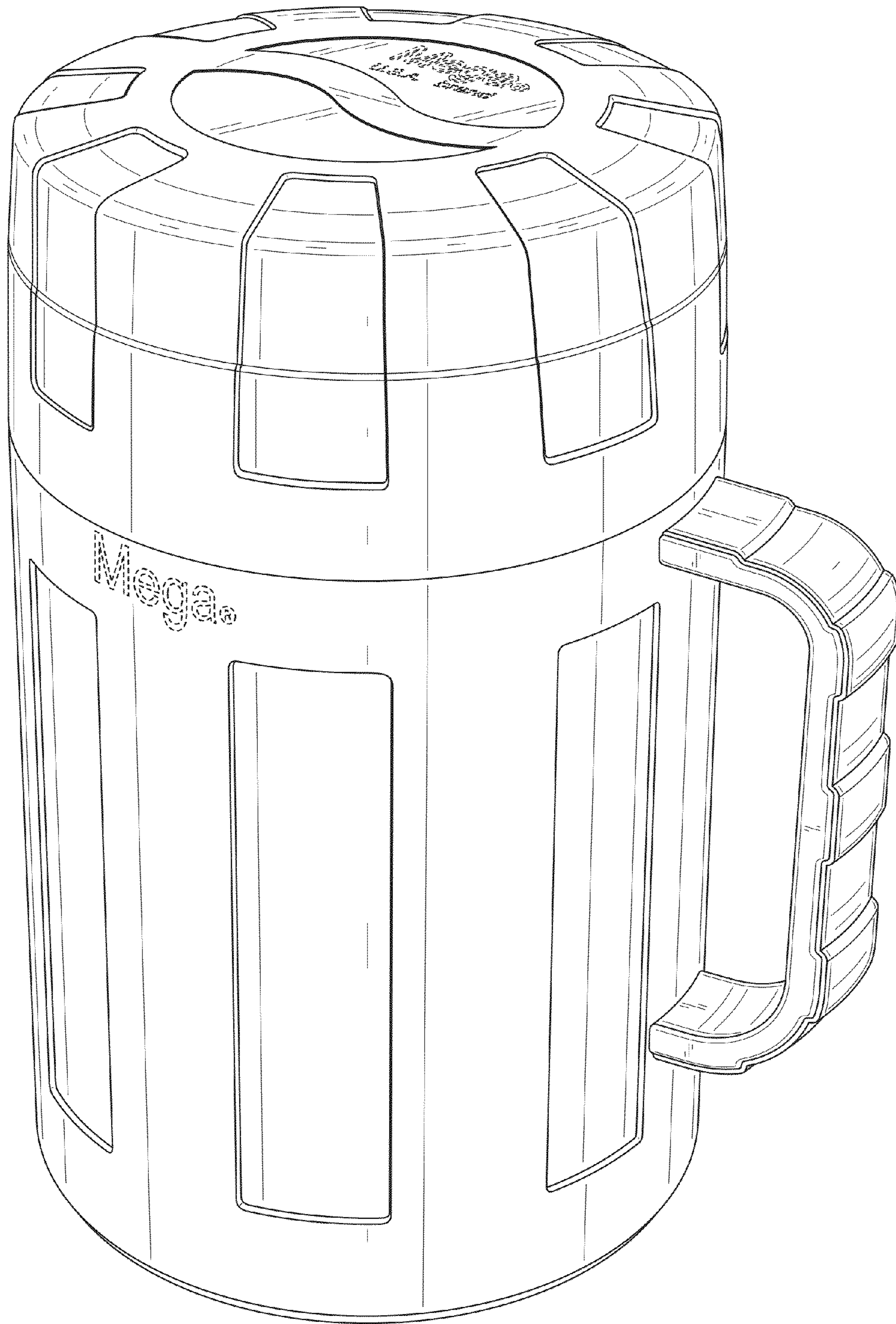


FIG. 1

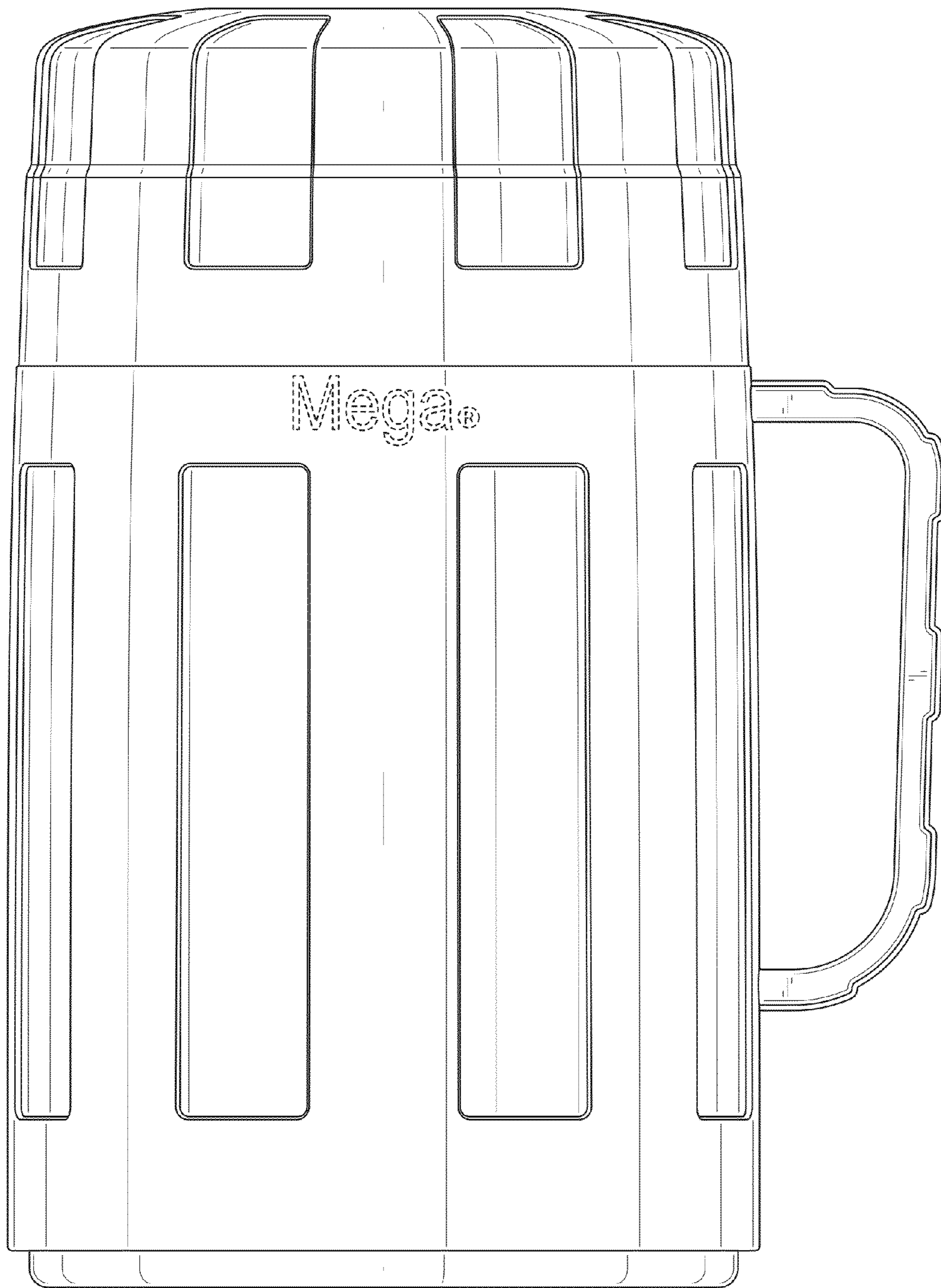


FIG. 2

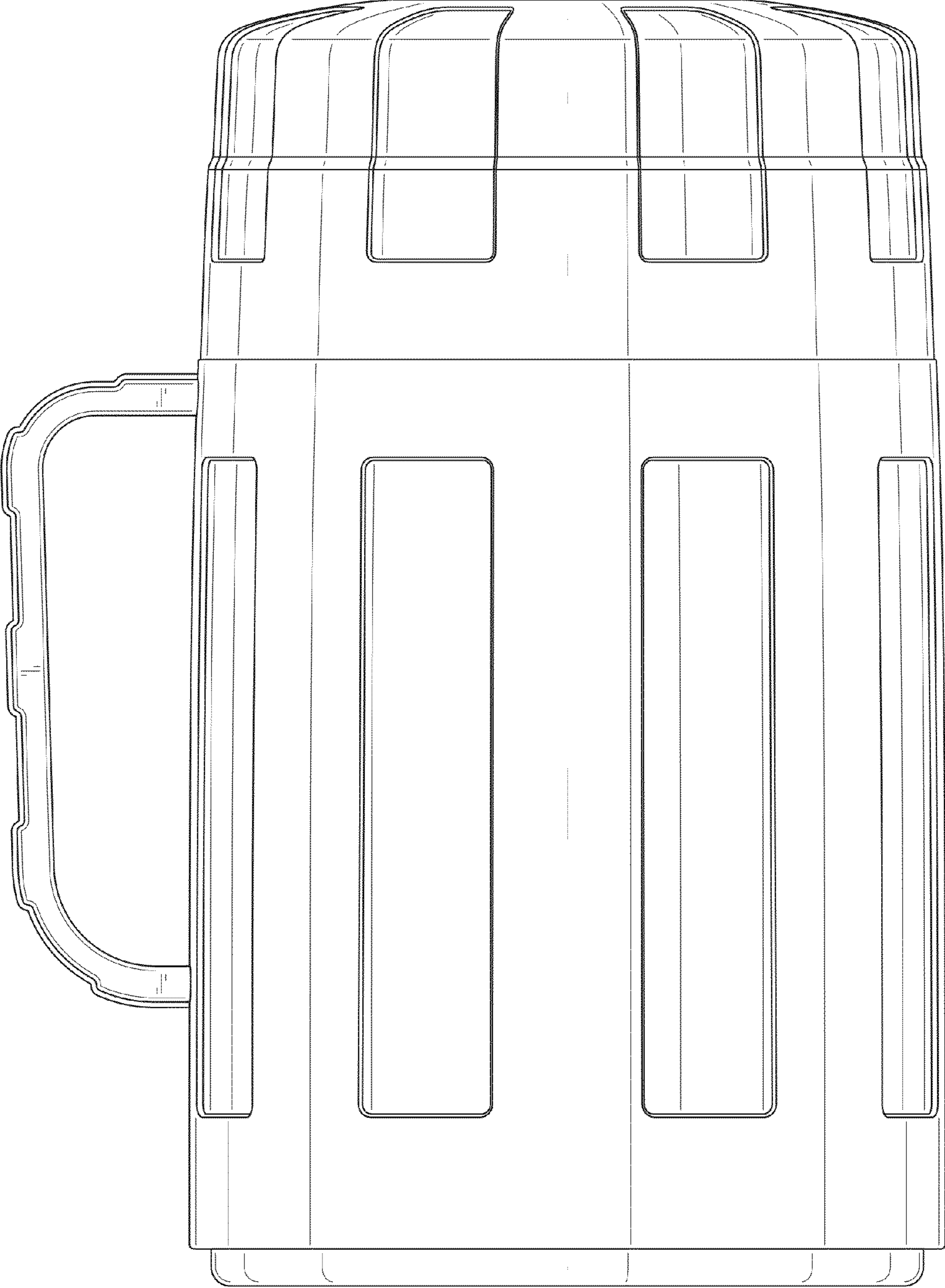


FIG. 3

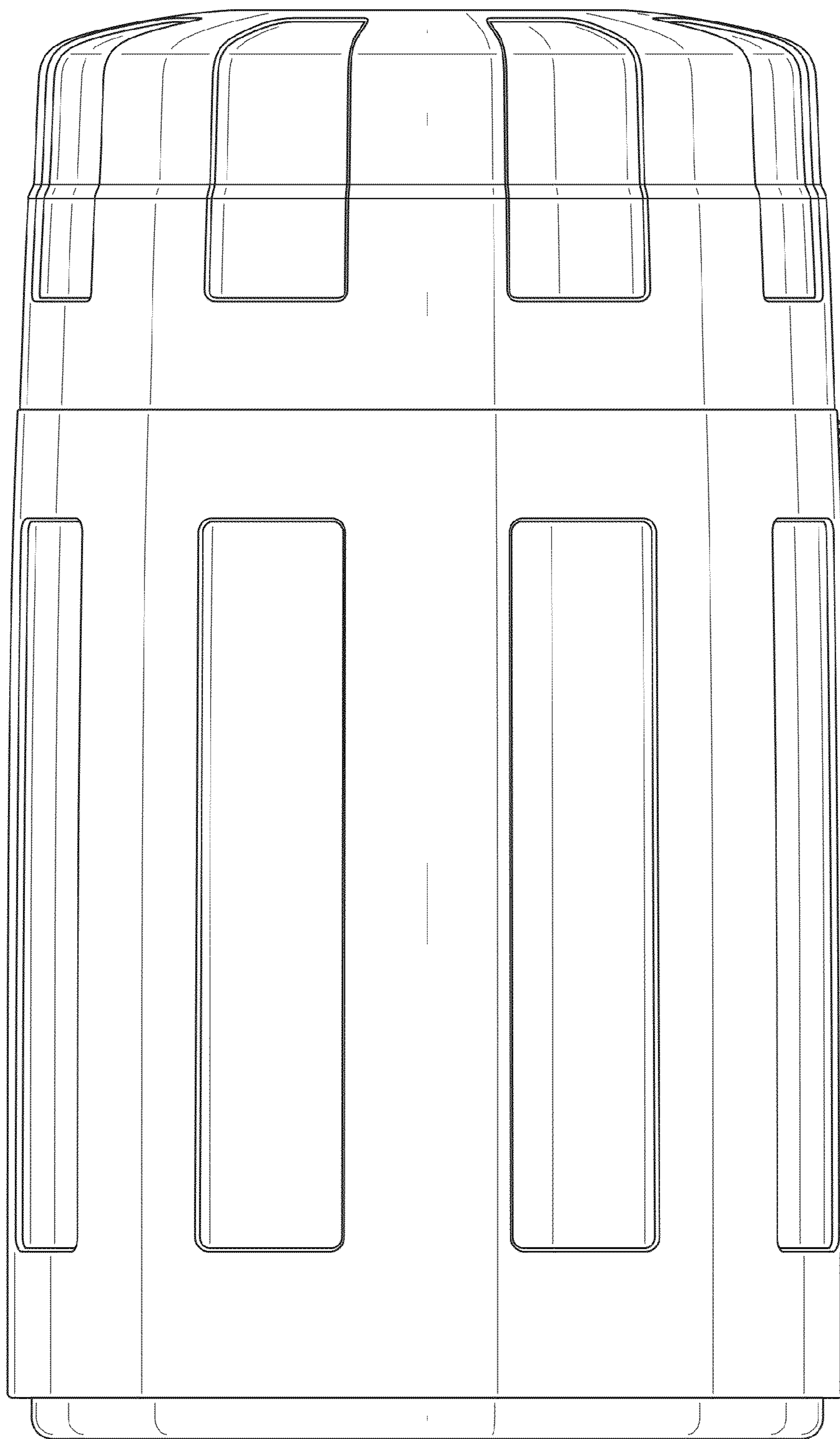


FIG. 4

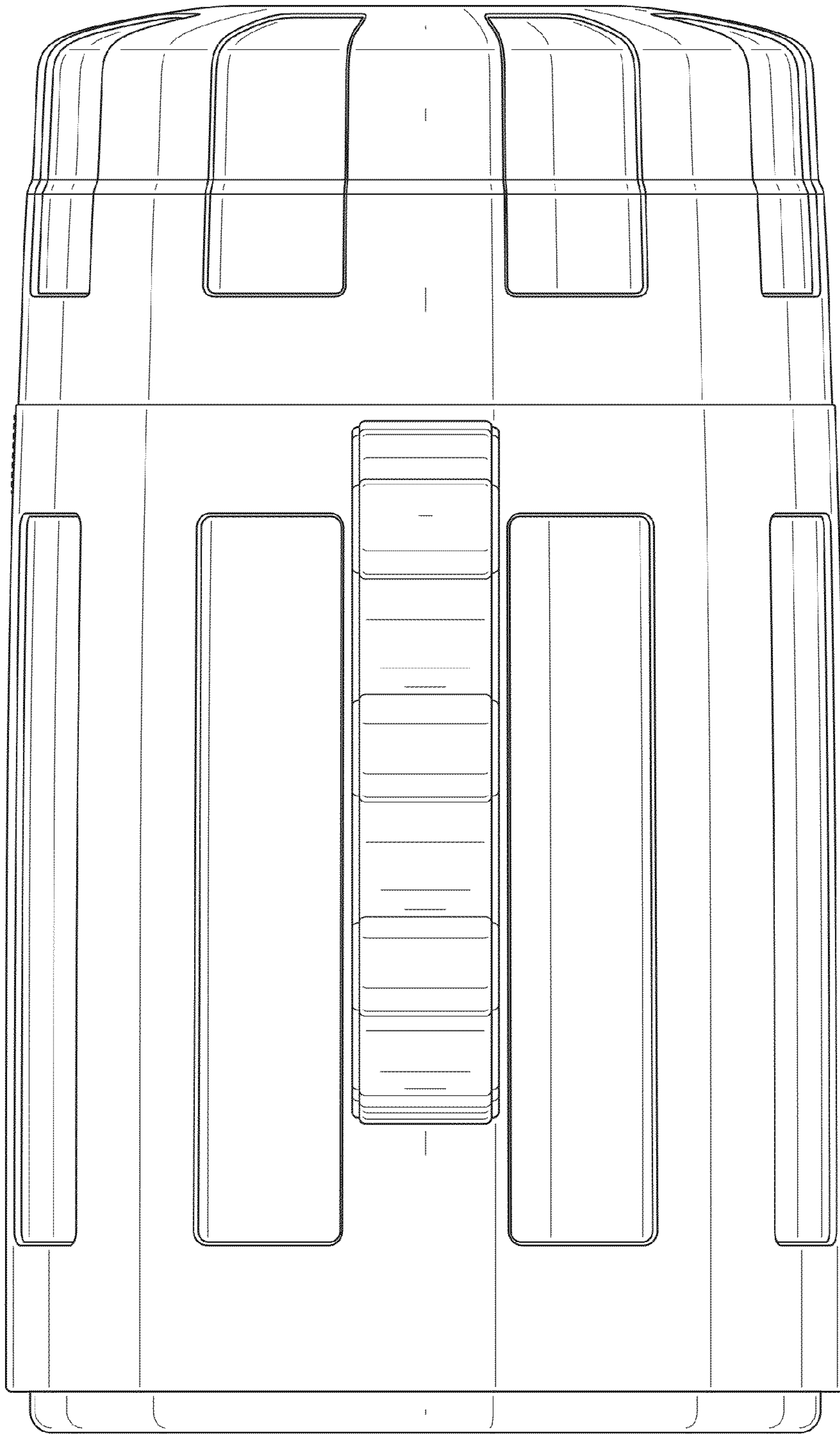


FIG. 5

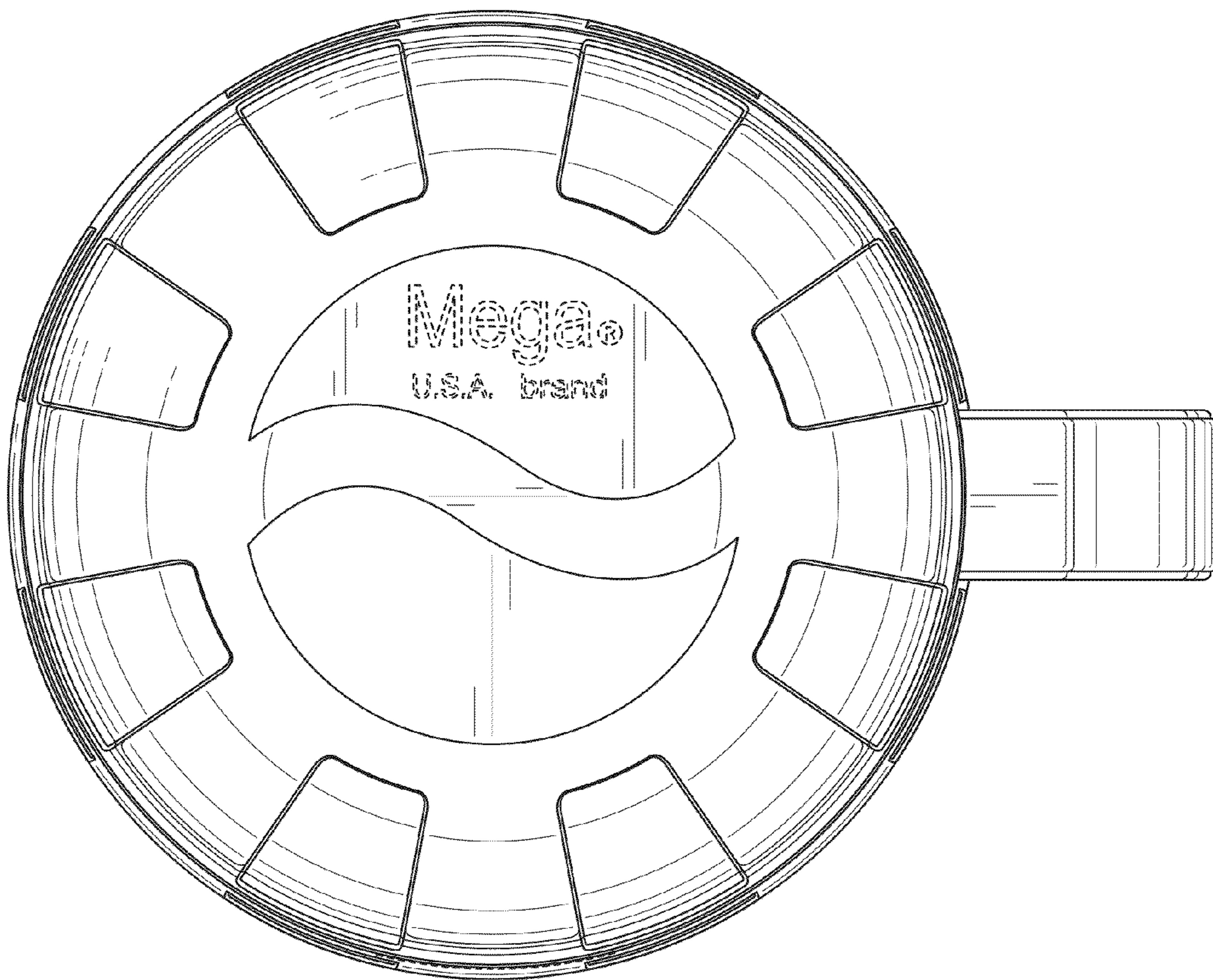


FIG. 6

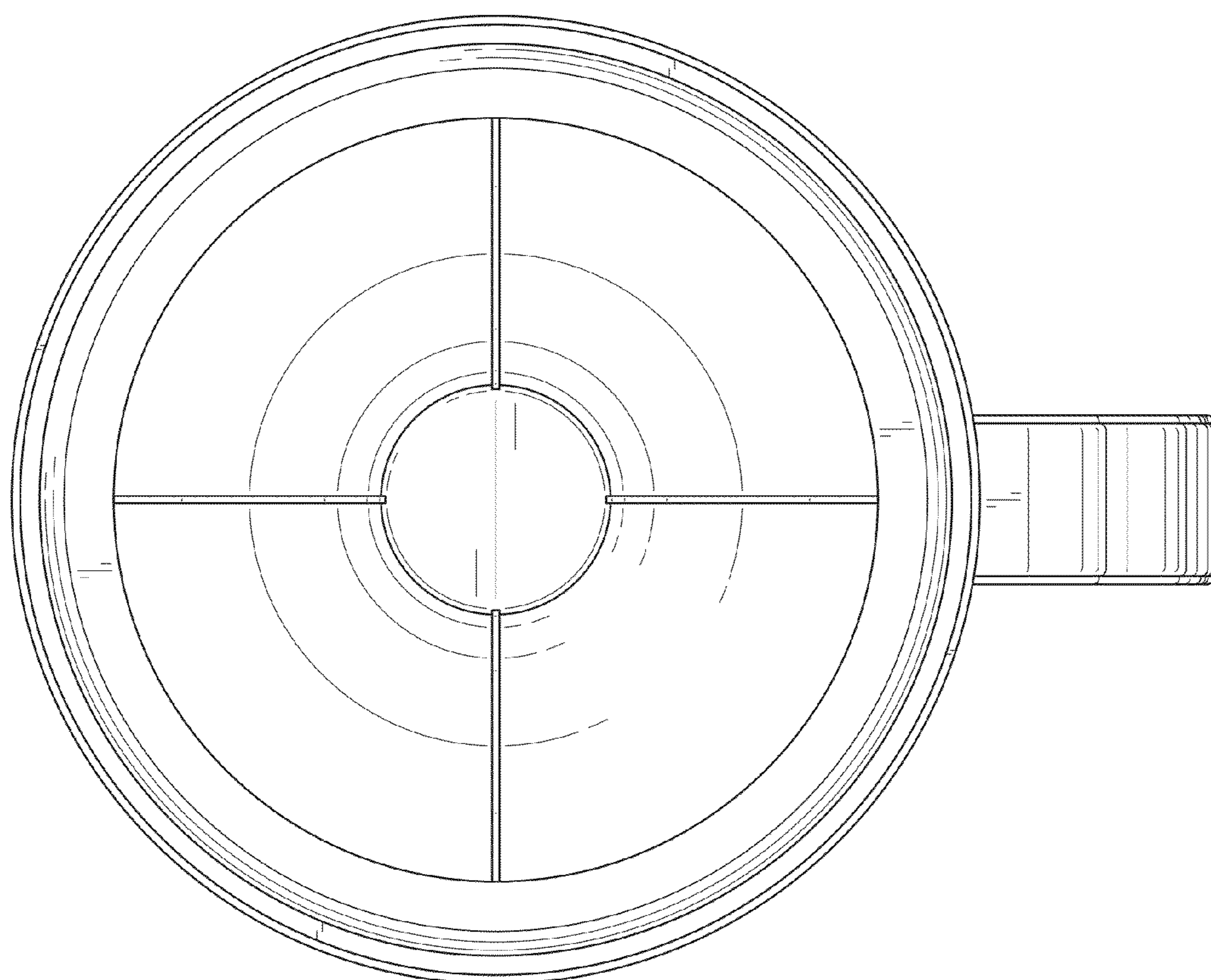


FIG. 7

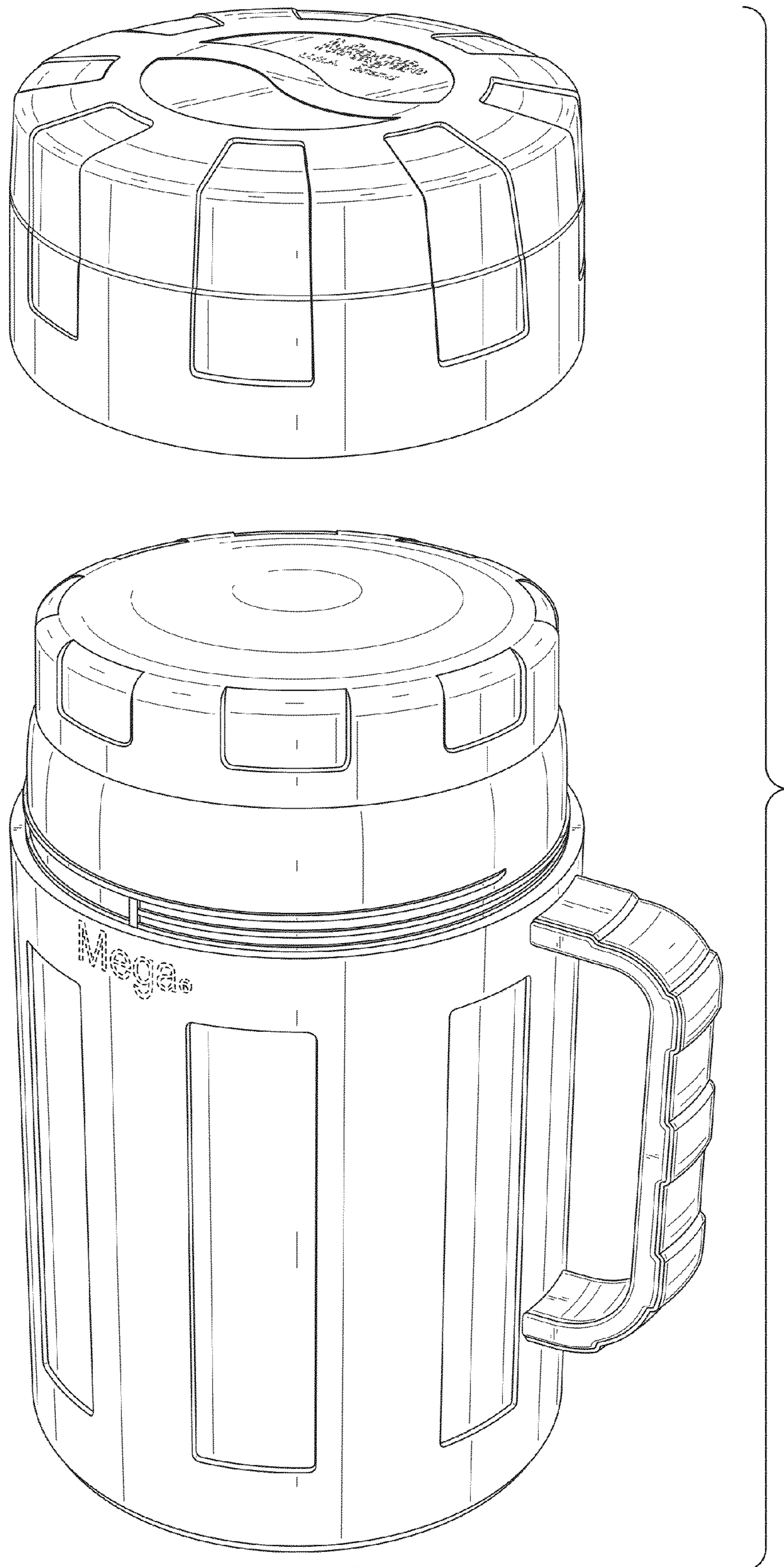


FIG. 8

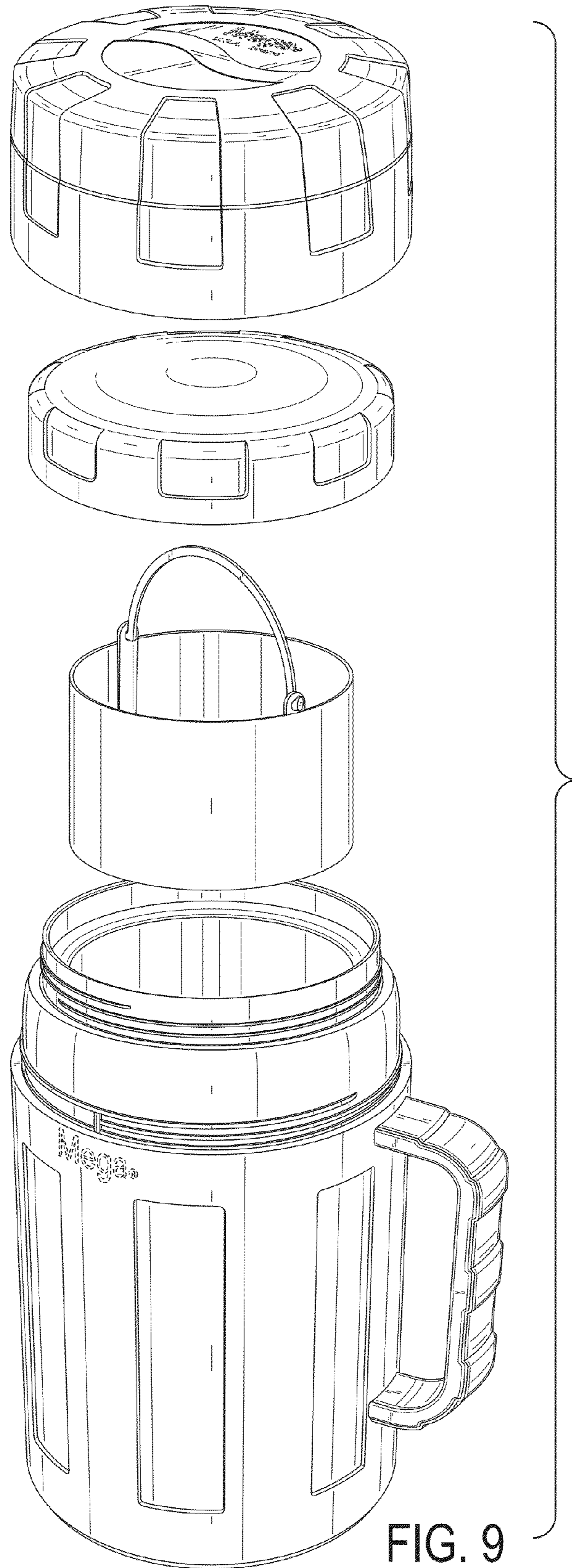


FIG. 9

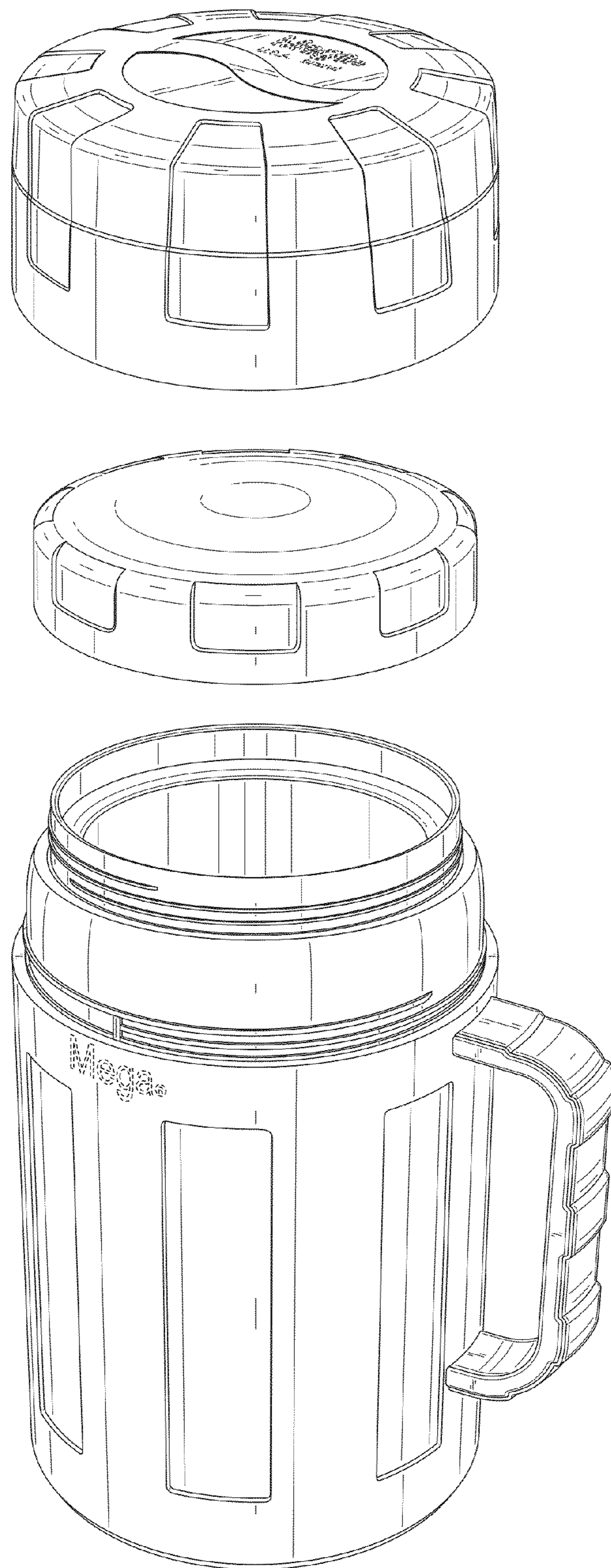


FIG. 10