



US00D708913S

(12) **United States Design Patent**
Ng

(10) **Patent No.:** **US D708,913 S**
(45) **Date of Patent:** **** *Jul. 15, 2014**

(54) **PLASTIC CONTAINER**
(71) Applicant: **New Group Limited**, Hong Kong (CN)
(72) Inventor: **Man Chung Ng**, Hong Kong (CN)
(*) Notice: This patent is subject to a terminal disclaimer.
(**) Term: **14 Years**
(21) Appl. No.: **29/440,071**
(22) Filed: **Dec. 19, 2012**
(51) **LOC (10) Cl.** **07-07**
(52) **U.S. Cl.**
USPC **D7/629**
(58) **Field of Classification Search**
USPC D7/602, 629, 538-542; D9/424-432;
209/780-806, 669-673, 675, 574-575,
209/573.1, 660, 260, 288, 326, 236, 4.21,
209/4.24
See application file for complete search history.

6,793,096 B1 * 9/2004 Seok 220/788
D502,061 S * 2/2005 Dais et al. D7/629
D544,762 S * 6/2007 Zimmerman D7/629
D651,479 S * 1/2012 Nie D7/629
D660,092 S * 5/2012 Kyung D7/629
D660,095 S * 5/2012 Kyung D7/629
2004/0084464 A1 * 5/2004 Koo 220/784
2005/0006390 A1 * 1/2005 Wang 220/326
2005/0035125 A1 * 2/2005 Bae 220/326

* cited by examiner

Primary Examiner — Terry Wallace
(74) *Attorney, Agent, or Firm* — Muncy, Geissler, Olds & Lowe P.C.

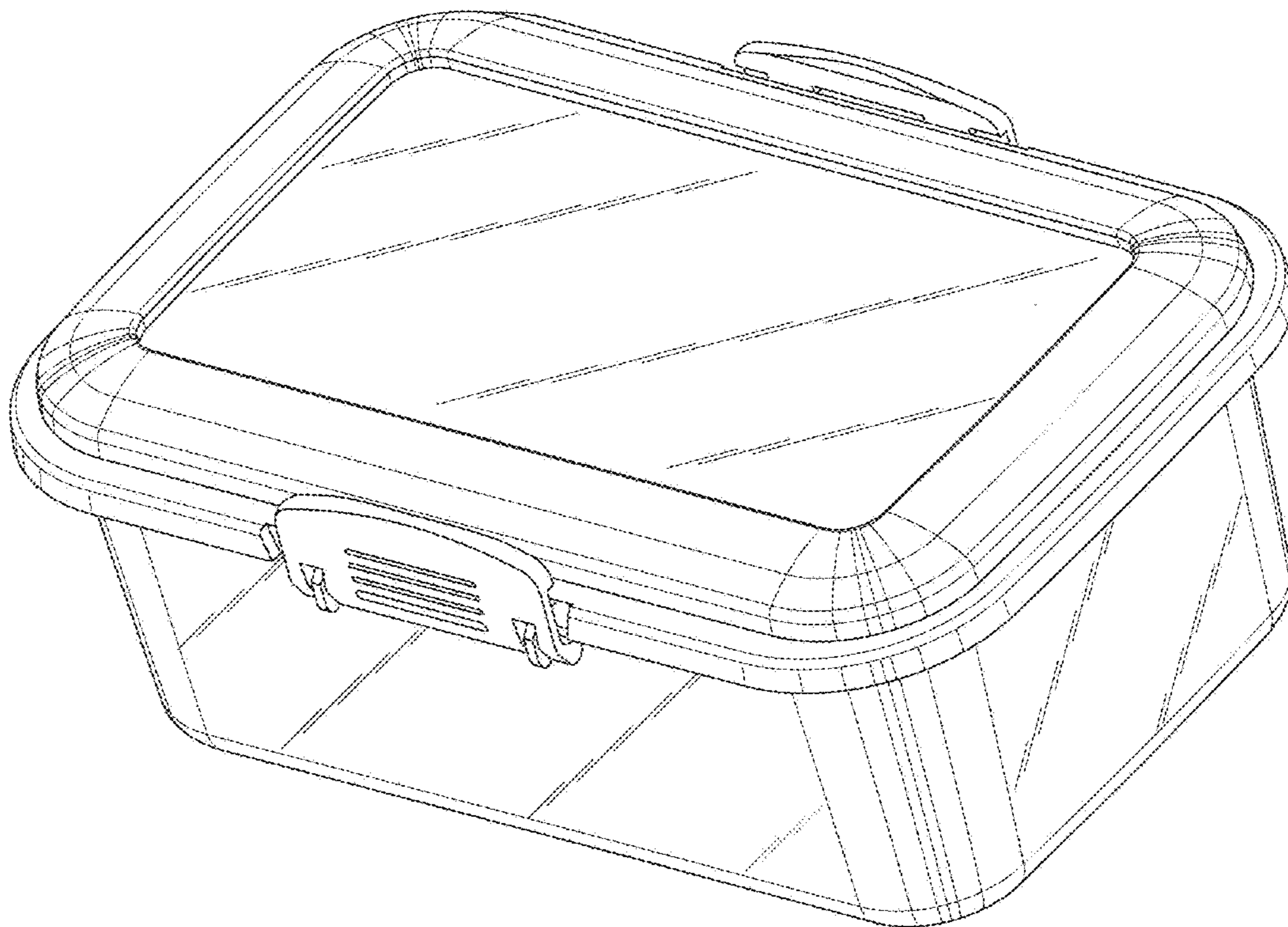
(57) **CLAIM**
The ornamental design for a plastic container, as shown and described.

DESCRIPTION

FIG. 1 is a front perspective view of a plastic container showing the new design;
FIG. 2 is a front elevation view thereof;
FIG. 3 is a top plan view thereof;
FIG. 4 is a left side elevation view thereof;
FIG. 5 is a right side elevation view thereof;
FIG. 6 is a rear elevation view thereof; and,
FIG. 7 is a bottom plan view thereof.
The broken lines showing of elements in the figures are for the purpose of illustrating environment and form no part of the claimed design.

(56) **References Cited**
U.S. PATENT DOCUMENTS
D449,495 S * 10/2001 Tucker et al. D7/629
6,415,947 B1 * 7/2002 Kim 220/788
D481,910 S * 11/2003 Kim D7/629

1 Claim, 4 Drawing Sheets



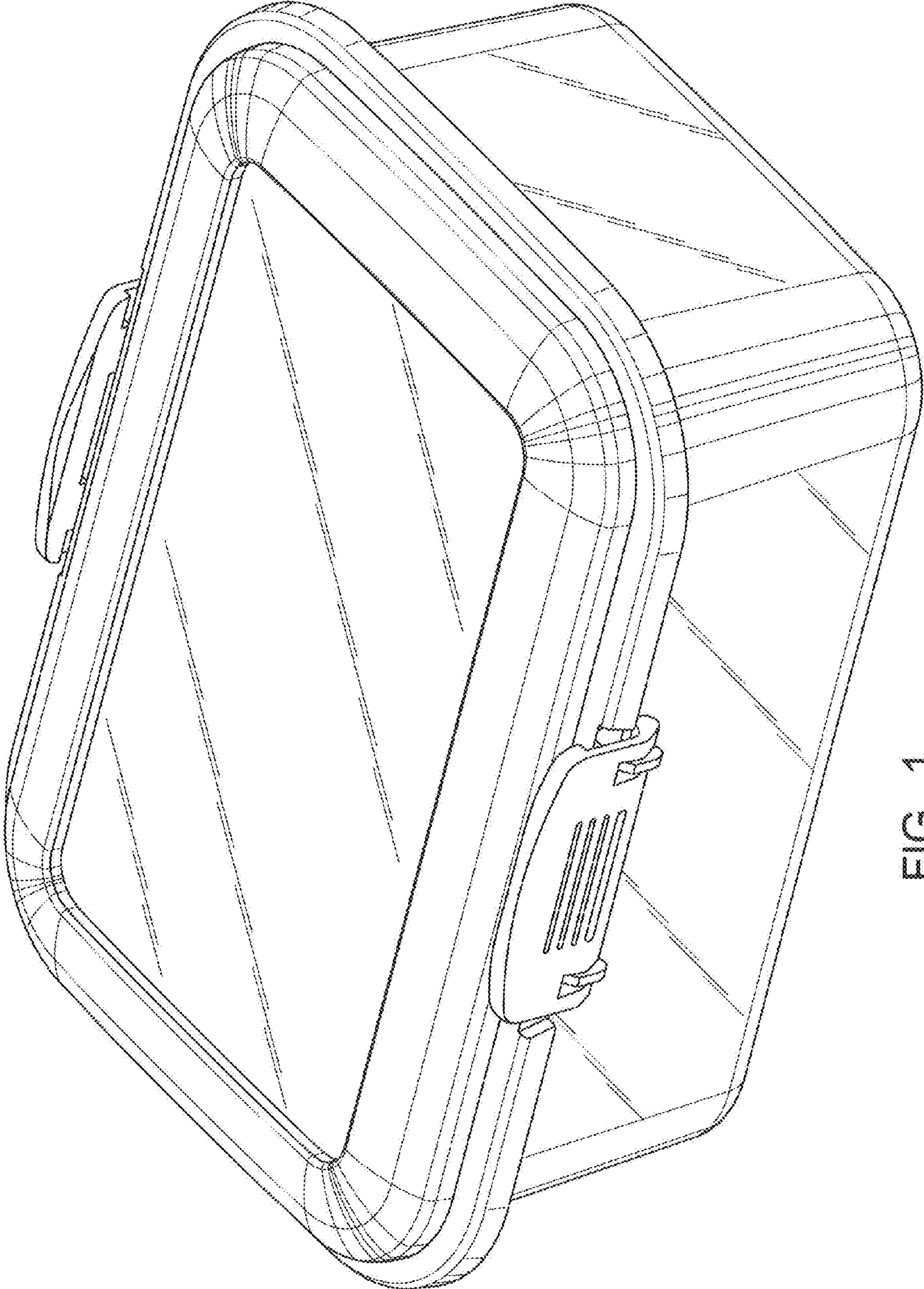


FIG. 1

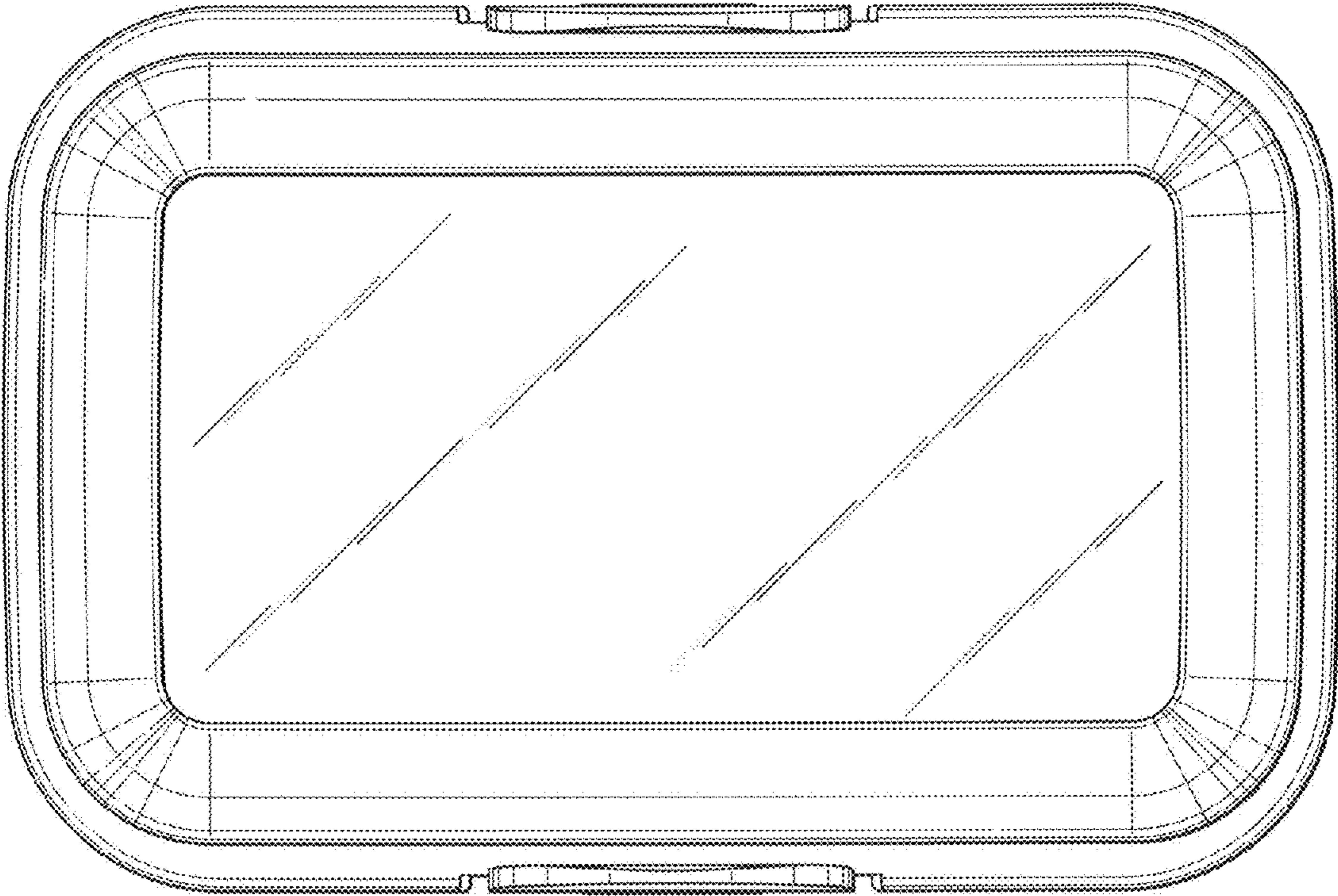


FIG. 3

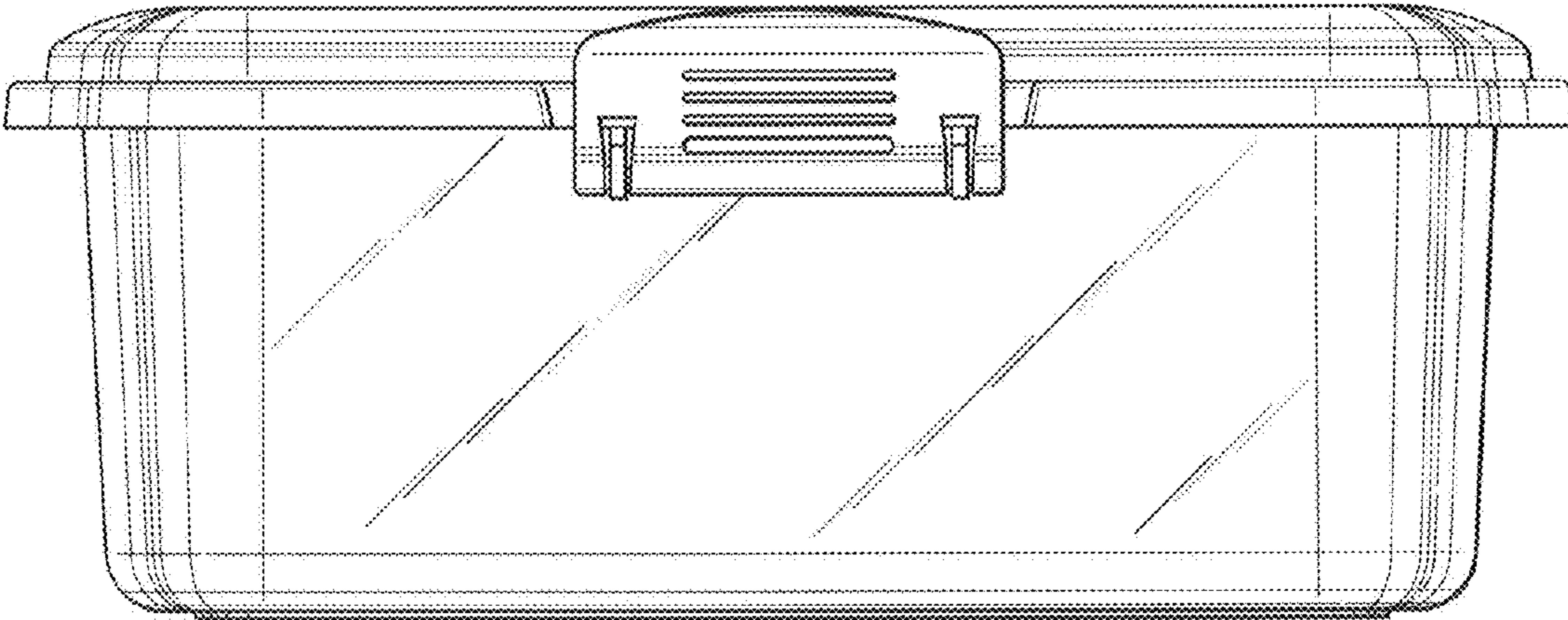


FIG. 2

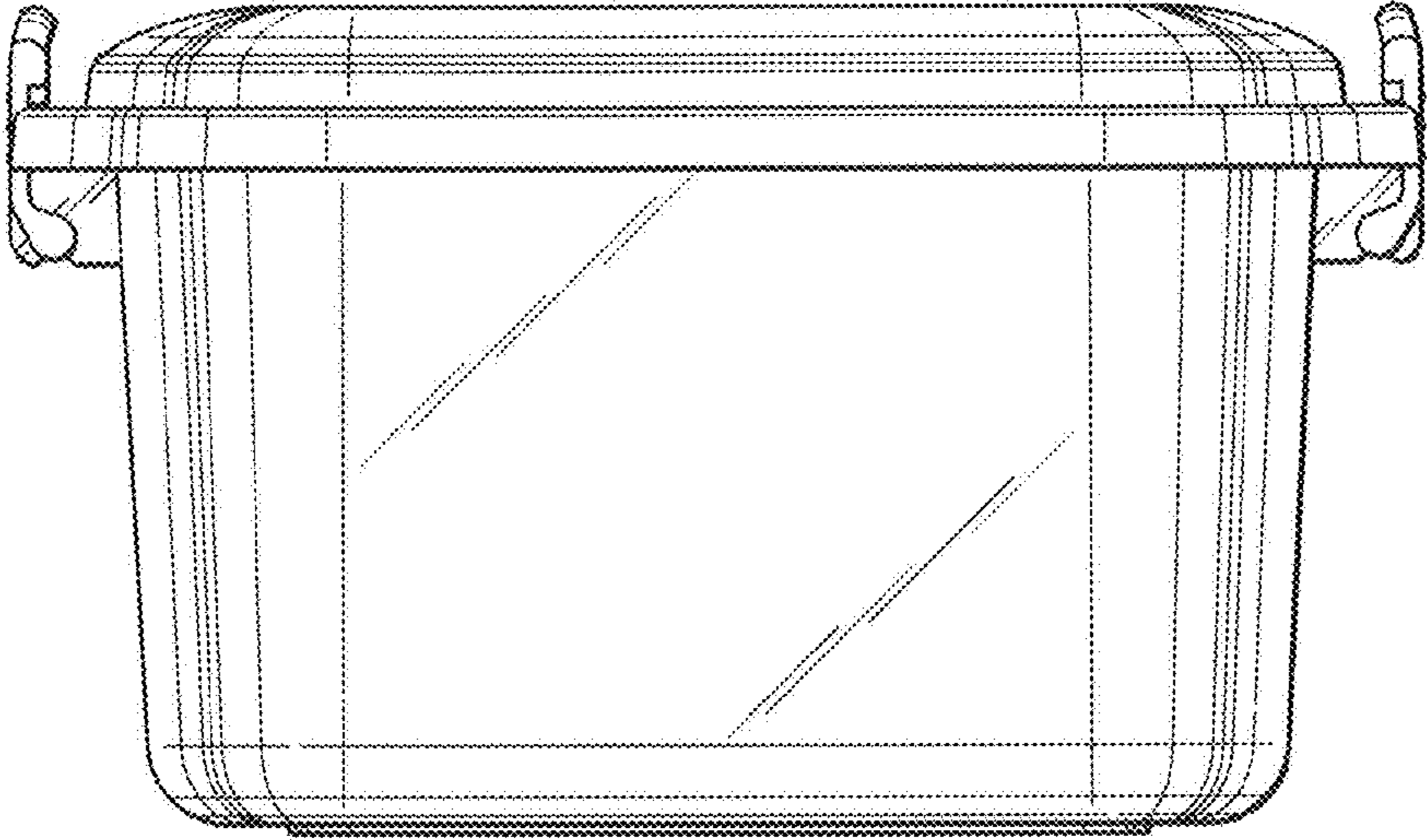


FIG. 4

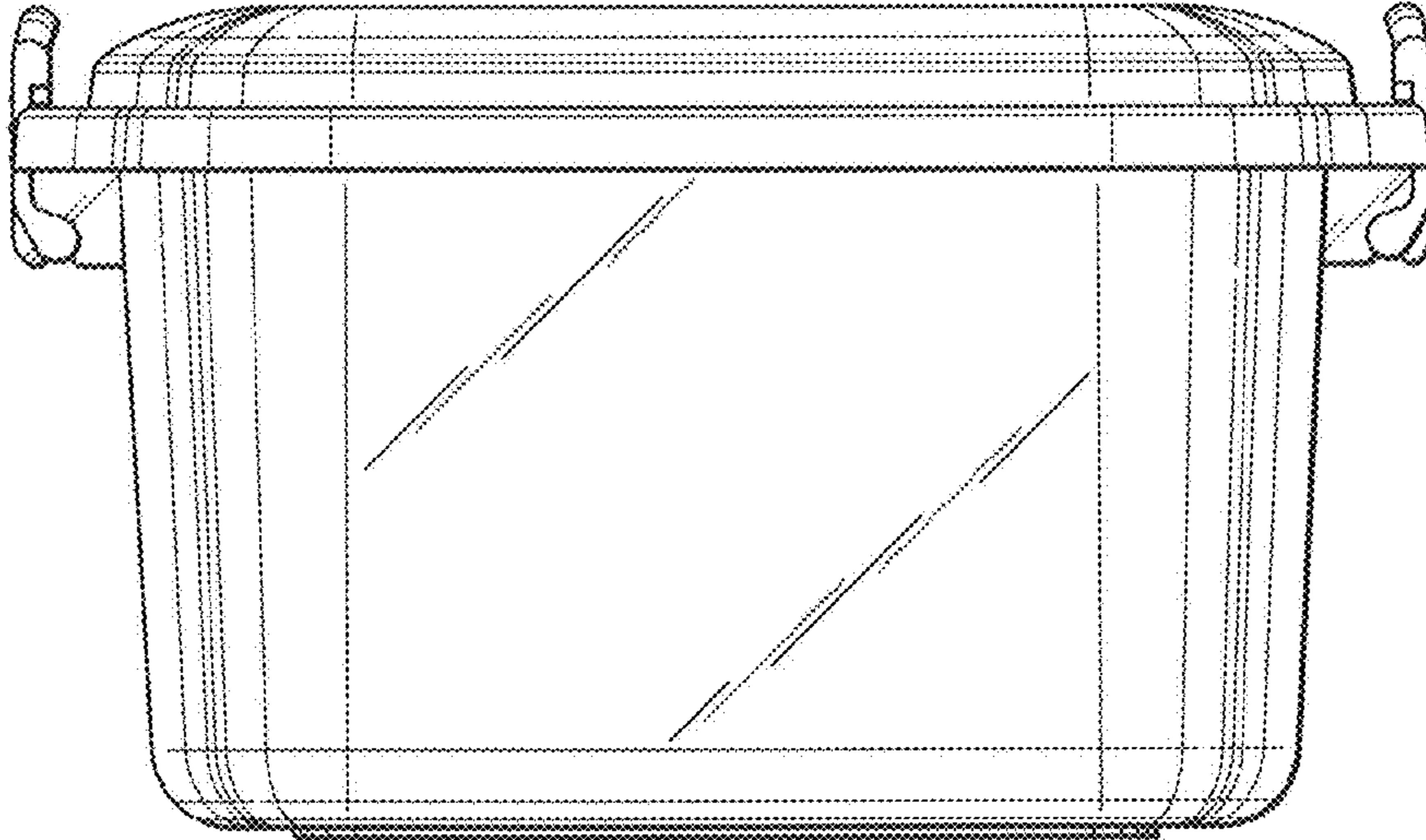


FIG. 5

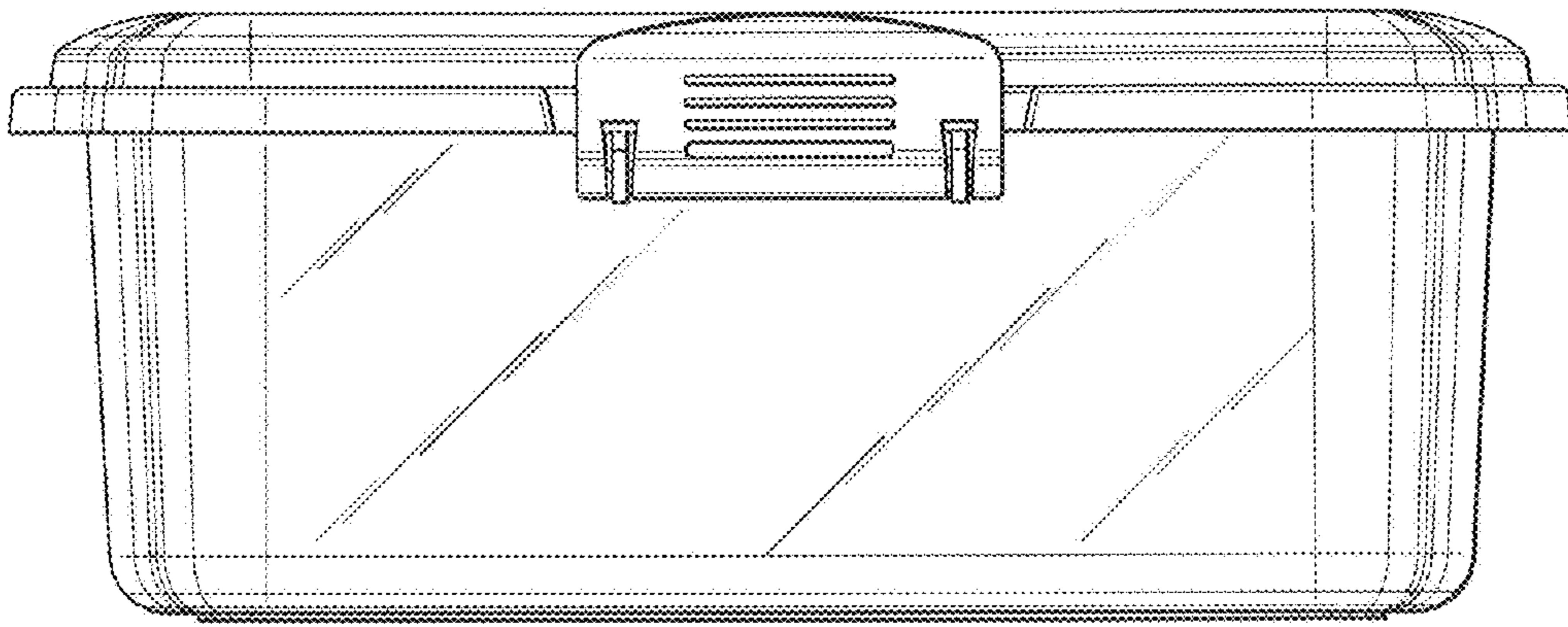


FIG. 6

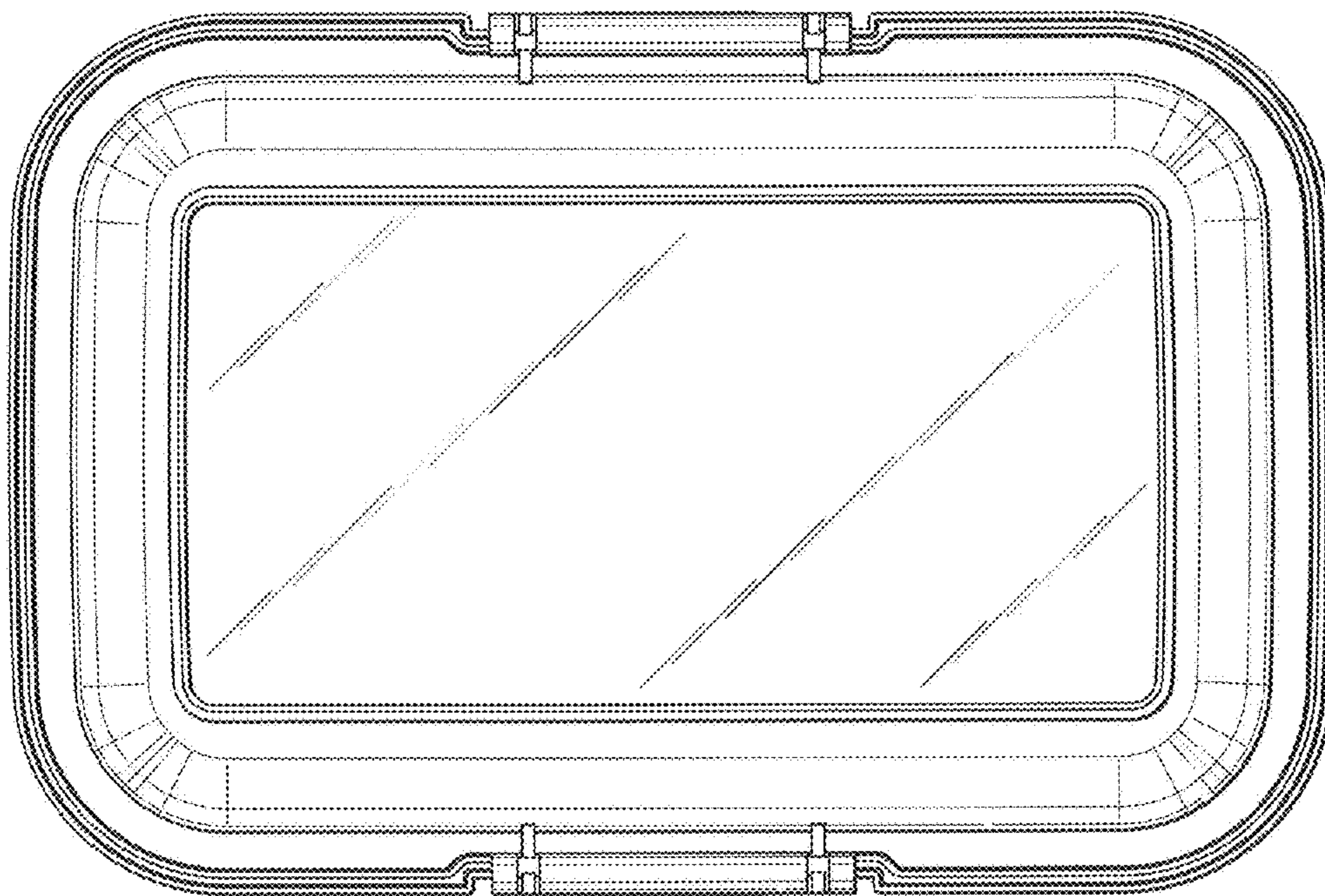


FIG. 7