



US00D708912S

(12) **United States Design Patent**
DeCraim

(10) **Patent No.:** **US D708,912 S**

(45) **Date of Patent:** **** Jul. 15, 2014**

(54) **EXPANDING LID FOR PASTRY CARRIER**

(71) Applicant: **Dart Industries Inc.**, Orlando, FL (US)

(72) Inventor: **Jean-Marie DeCraim**, Buggenhout (BE)

(73) Assignee: **Dart Industries Inc.**, Orlando, FL (US)

(**) Term: **14 Years**

(21) Appl. No.: **29/452,422**

(22) Filed: **Apr. 16, 2013**

(51) **LOC (10) Cl.** **07-07**

(52) **U.S. Cl.**
USPC **D7/610**

(58) **Field of Classification Search**
CPC A47G 19/26
USPC D7/610, 629; 206/503, 557, 564;
312/283, 284; 220/780-806;
D9/424-429

See application file for complete search history.

(56) **References Cited**

U.S. PATENT DOCUMENTS

2,637,617	A *	5/1953	Stotter	312/284
D170,561	S	10/1953	Tupper		
2,765,831	A	10/1956	Tupper		
3,194,460	A	7/1965	Tupper		
D207,496	S	4/1967	Sweet		
3,511,288	A *	5/1970	Swett et al.	206/45.2
4,197,940	A *	4/1980	DeRossett	220/780
4,375,862	A *	3/1983	Kurinsky et al.	220/293
4,705,163	A *	11/1987	James	426/128
D307,227	S *	4/1990	Sibilio et al.	D7/610
5,676,252	A *	10/1997	Lillelund et al.	206/551

5,685,453	A *	11/1997	Goins et al.	220/782
D389,018	S *	1/1998	Lillelund et al.	D7/610
D400,407	S *	11/1998	Platte	D7/629
D444,351	S	7/2001	Lillelund et al.		
D493,677	S *	8/2004	Meyer	D7/629
D522,813	S *	6/2006	Swinford et al.	D7/610
2013/0313257	A1 *	11/2013	Gartz et al.	220/262

* cited by examiner

Primary Examiner — Terry Wallace

(74) *Attorney, Agent, or Firm* — Taylor J. Ross

(57) **CLAIM**

The ornamental design for an expanding lid for pastry carrier, as shown and described.

DESCRIPTION

FIG. 1 is a top, front and side perspective view in the collapsed position of the expanding lid for pastry carrier showing my new design;

FIG. 2 is a top, front and side perspective view thereof in the expanded position;

FIG. 3 is a top plan view thereof;

FIG. 4 is a bottom plan view thereof;

FIG. 5 is a front elevation view thereof in the collapsed position, the rear elevation being identical thereto;

FIG. 6 is a front elevation view thereof in the expanded position, the rear elevation being identical thereto;

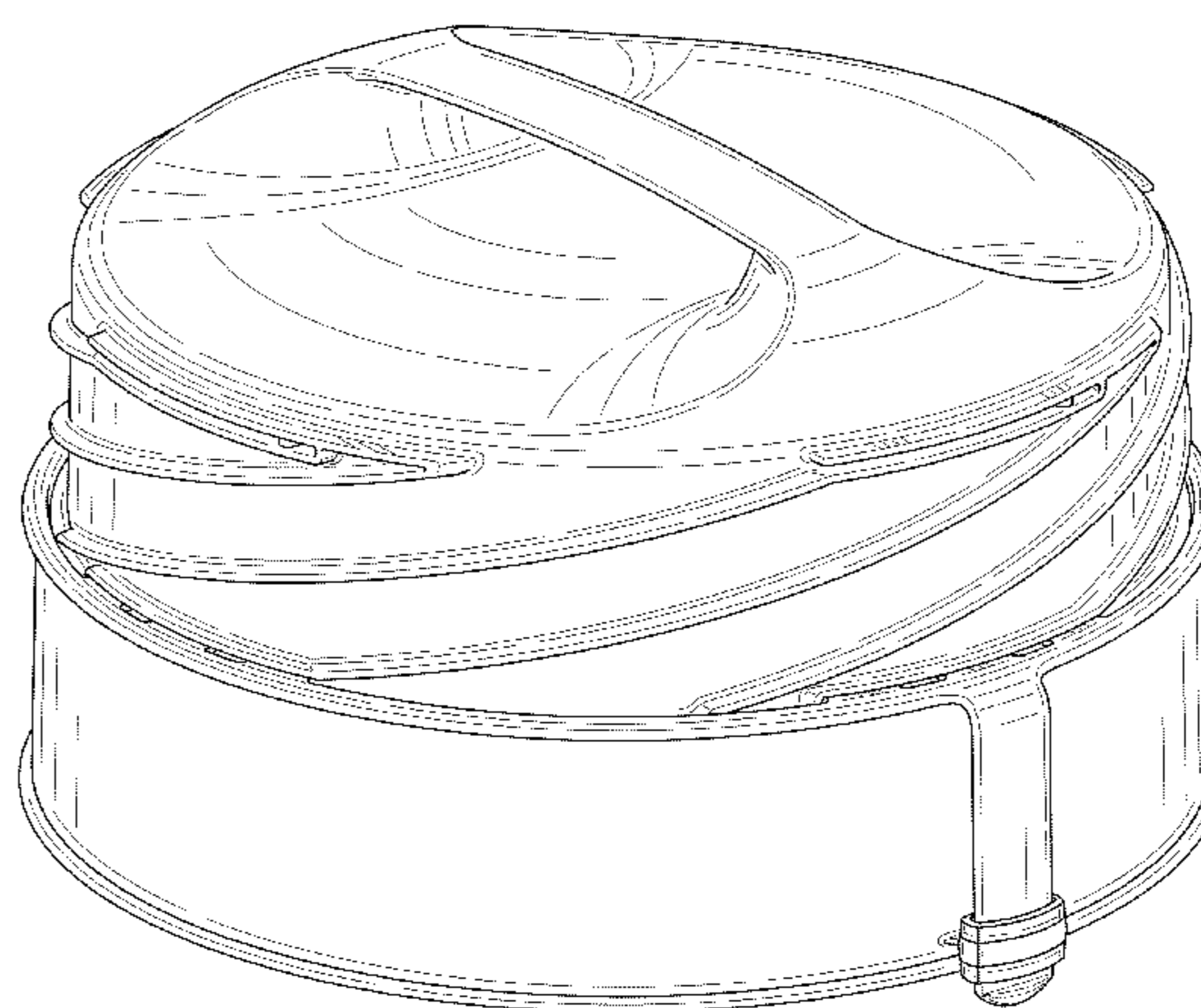
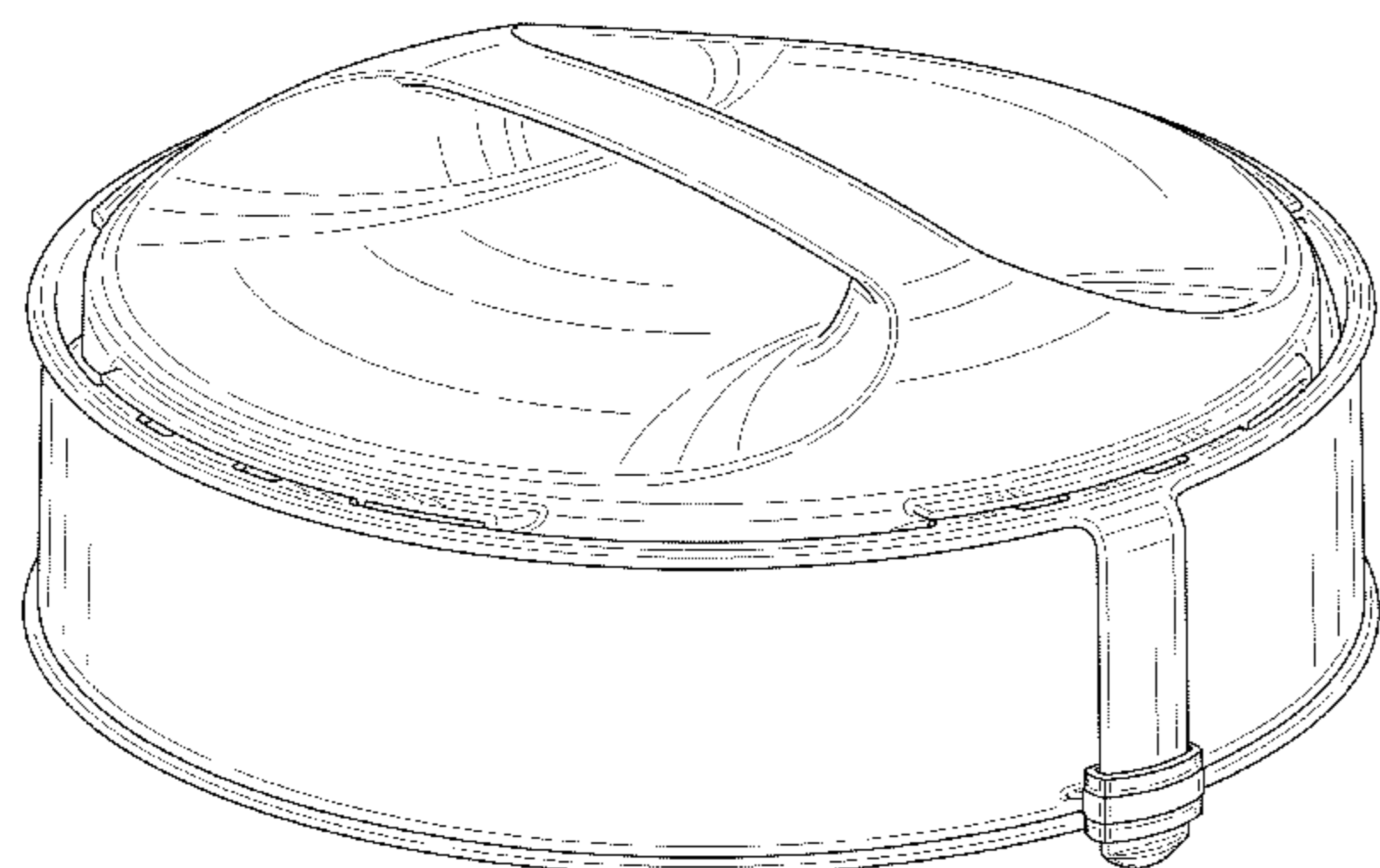
FIG. 7 is right side elevation view thereof in the collapsed position, the left side elevation being identical thereto;

FIG. 8 is right side elevation view thereof in the expanded position, the left side elevation being identical thereto;

FIG. 9 is a cross-sectional view taken along line 9-9 of FIG. 4 in the collapsed position; and,

FIG. 10 is a cross-sectional view along line 10-10 of FIG. 4 in the expanded position.

1 Claim, 9 Drawing Sheets



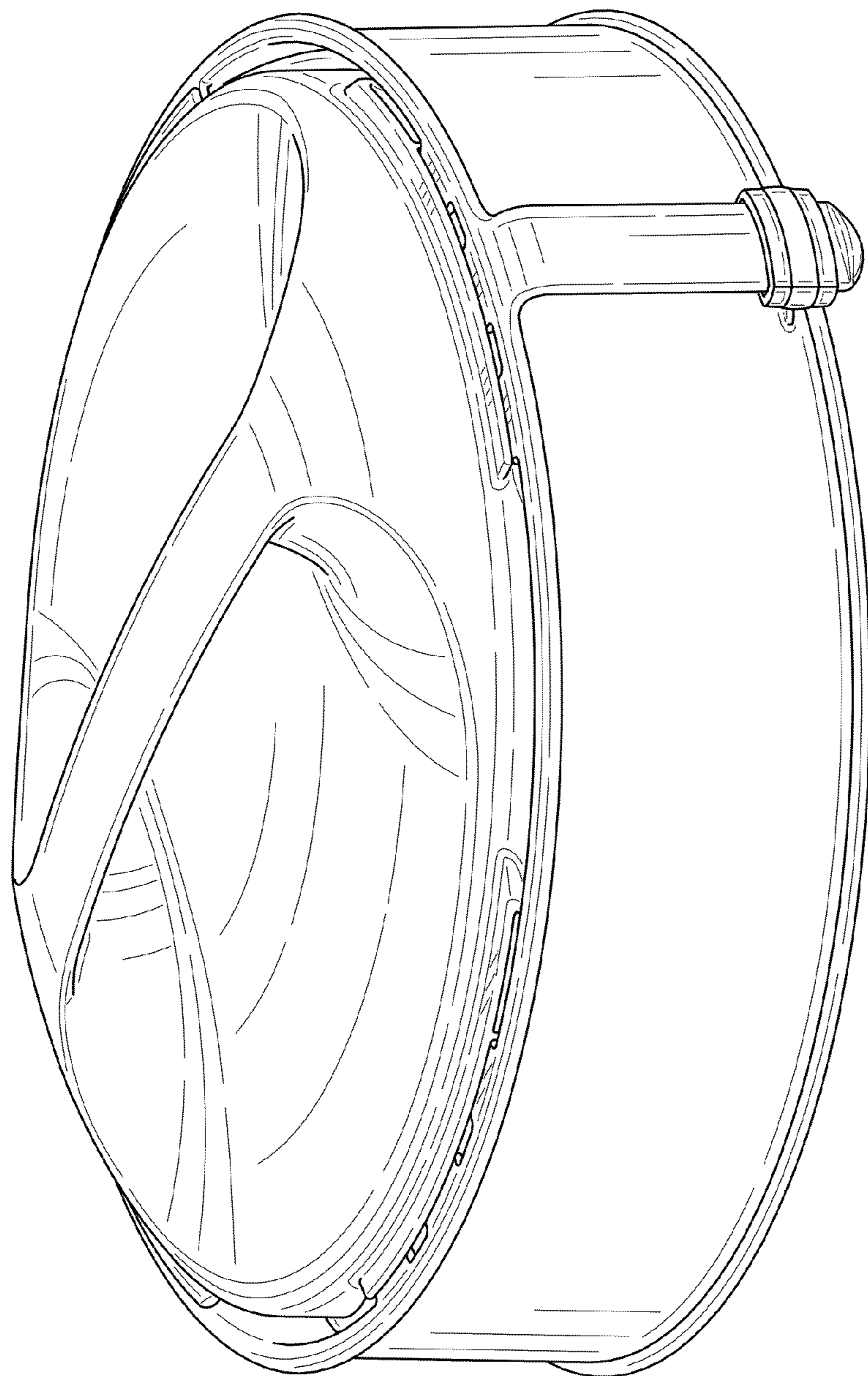


FIG. 1

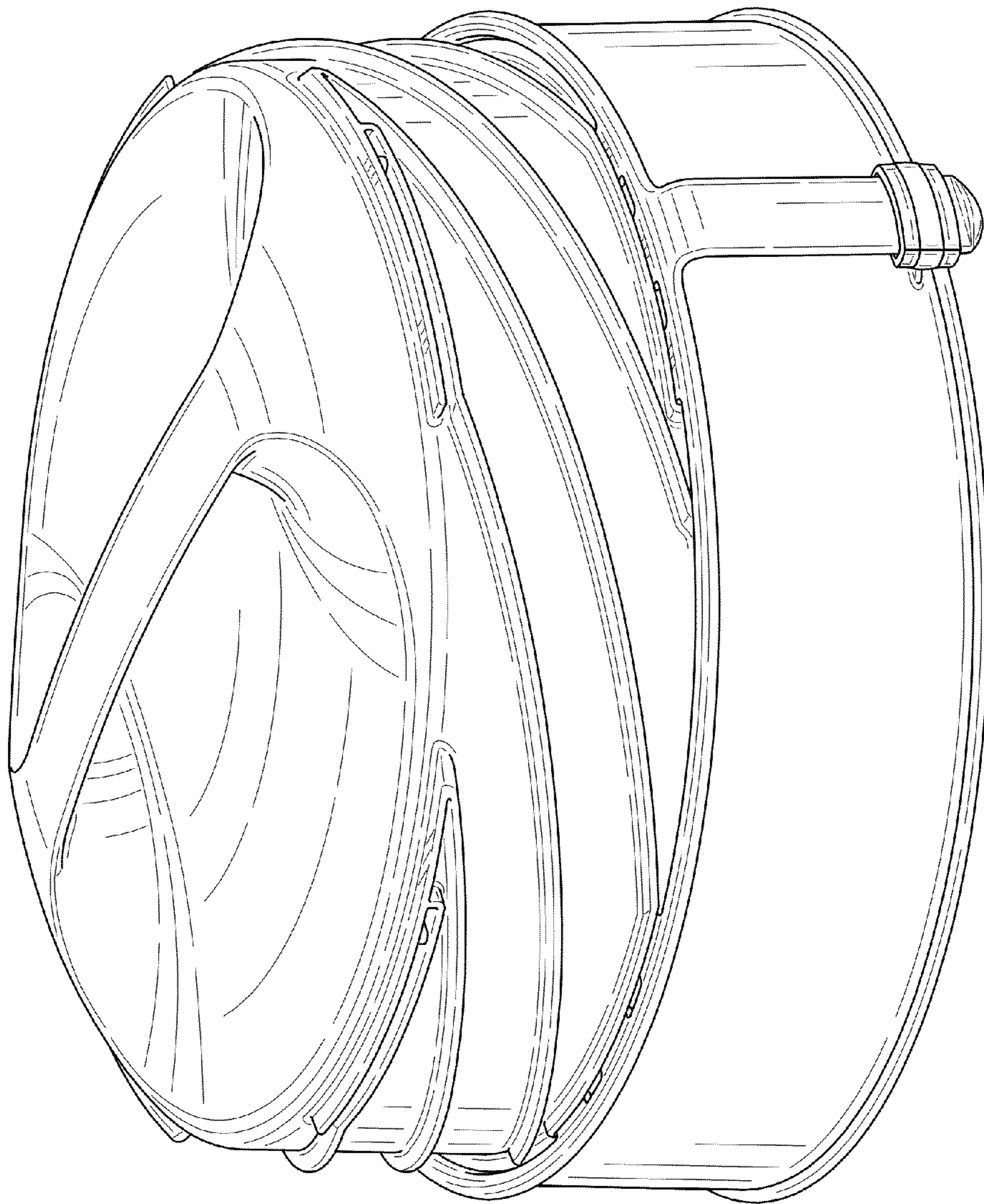


FIG. 2

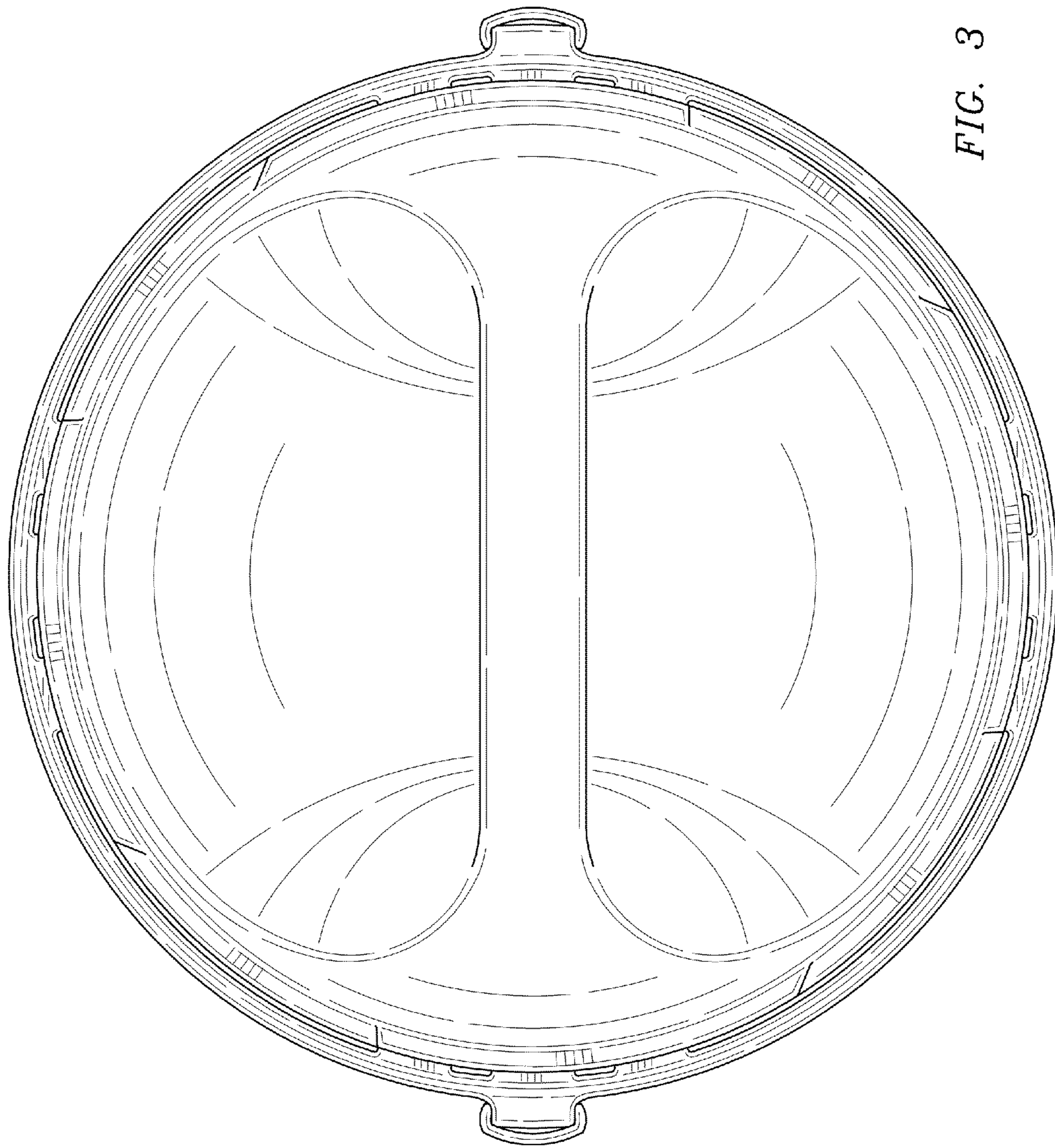


FIG. 3

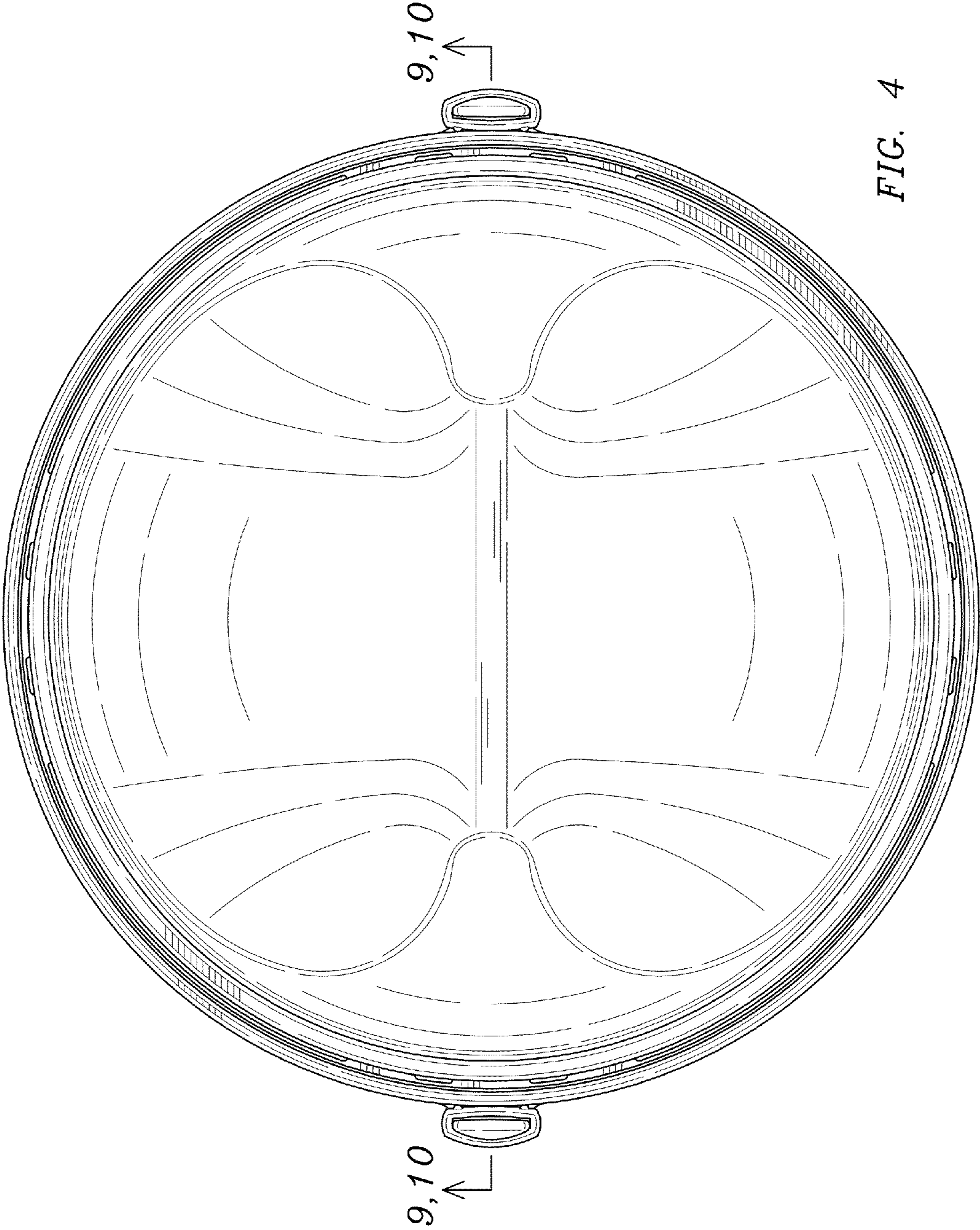


FIG. 4

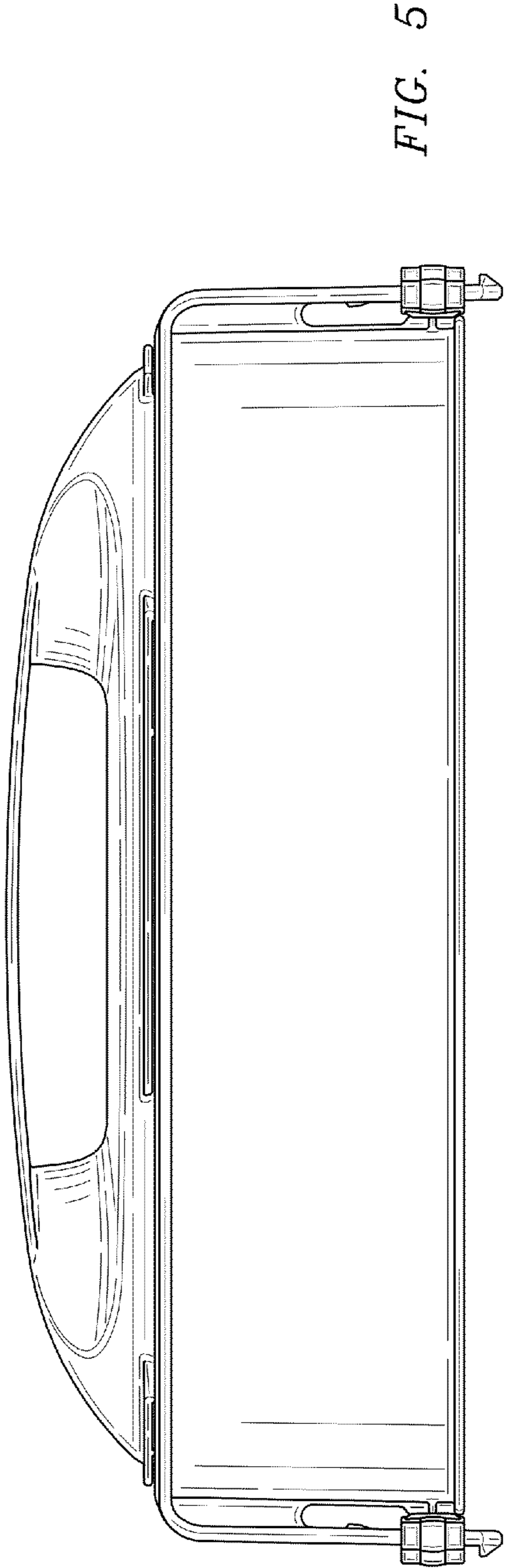


FIG. 5

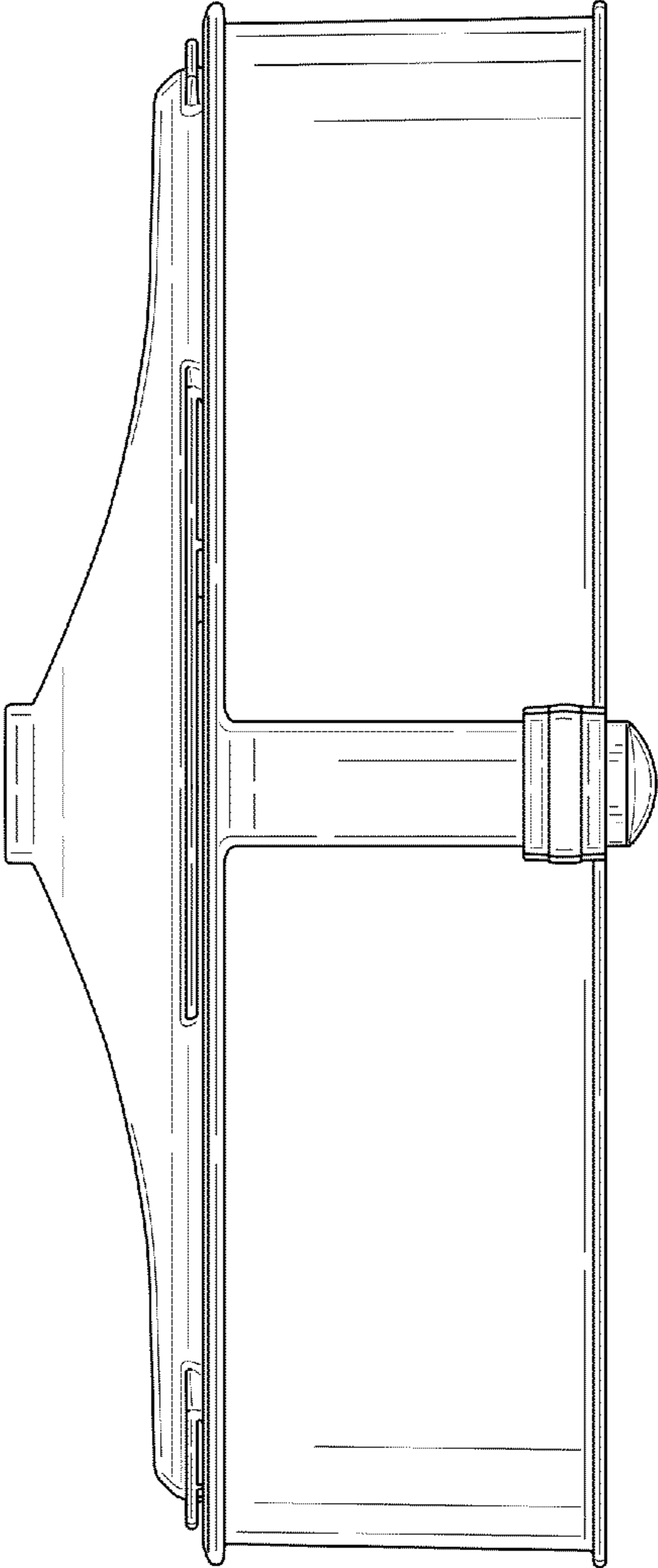


FIG. 7

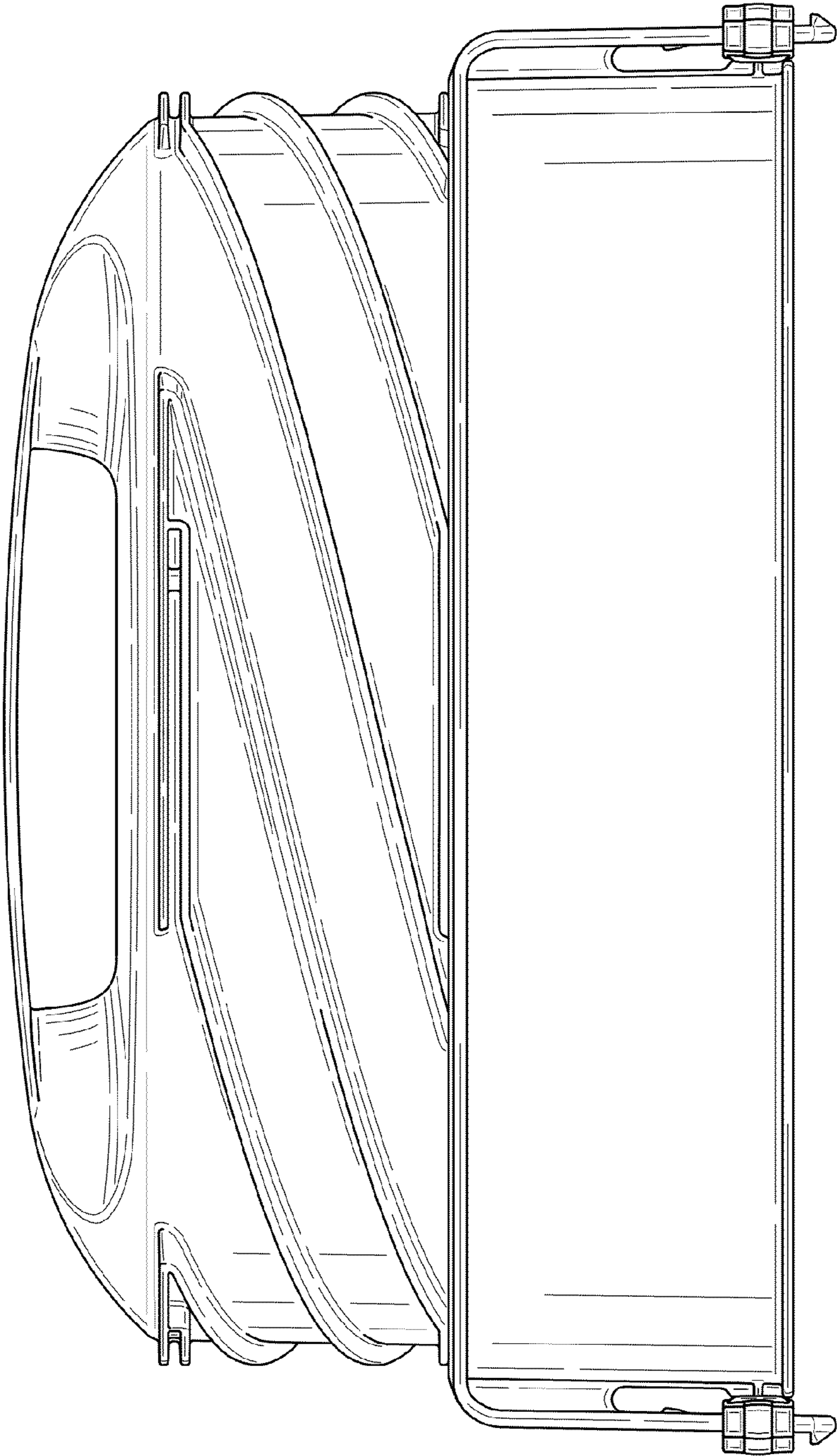


FIG. 6

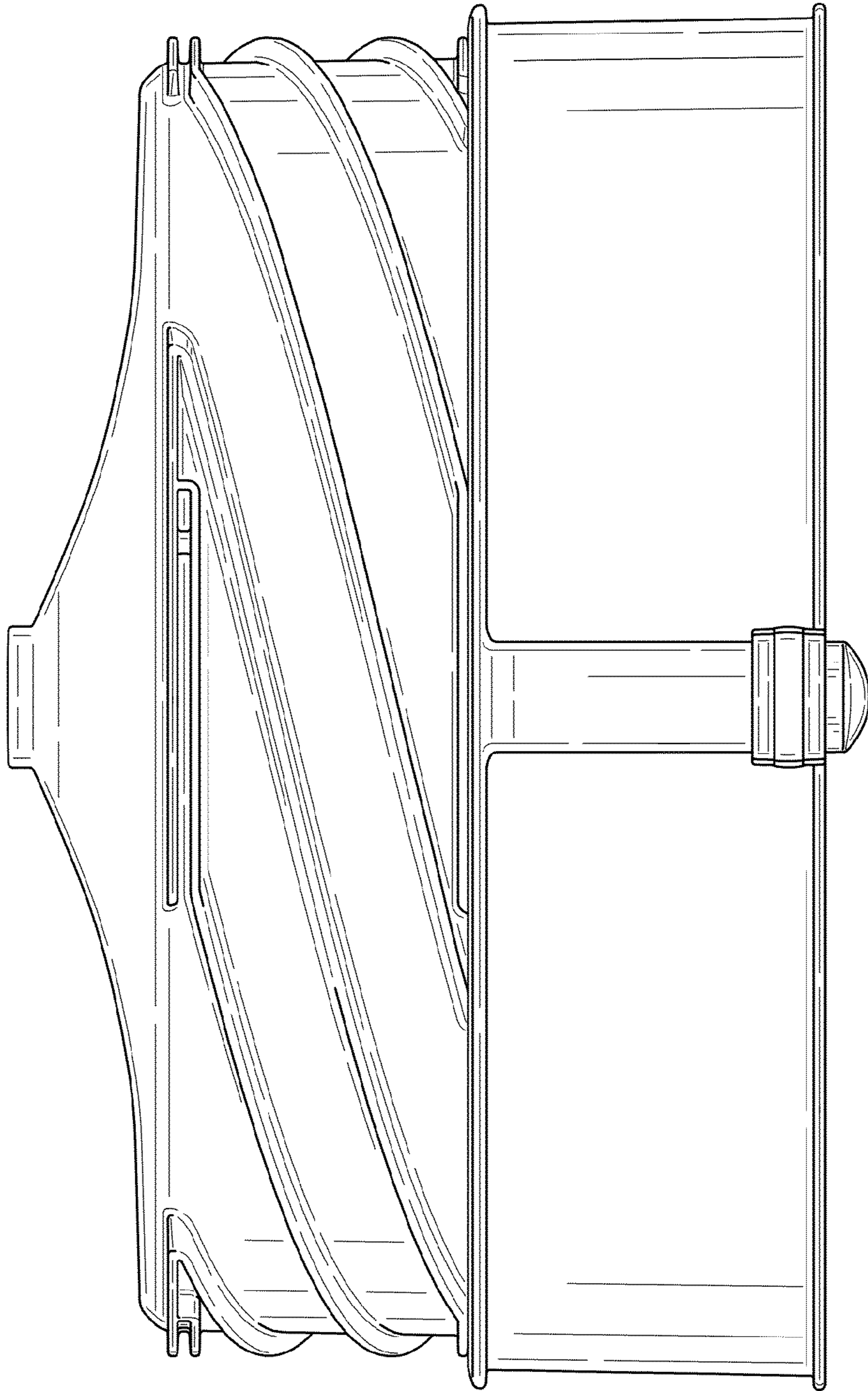


FIG. 8

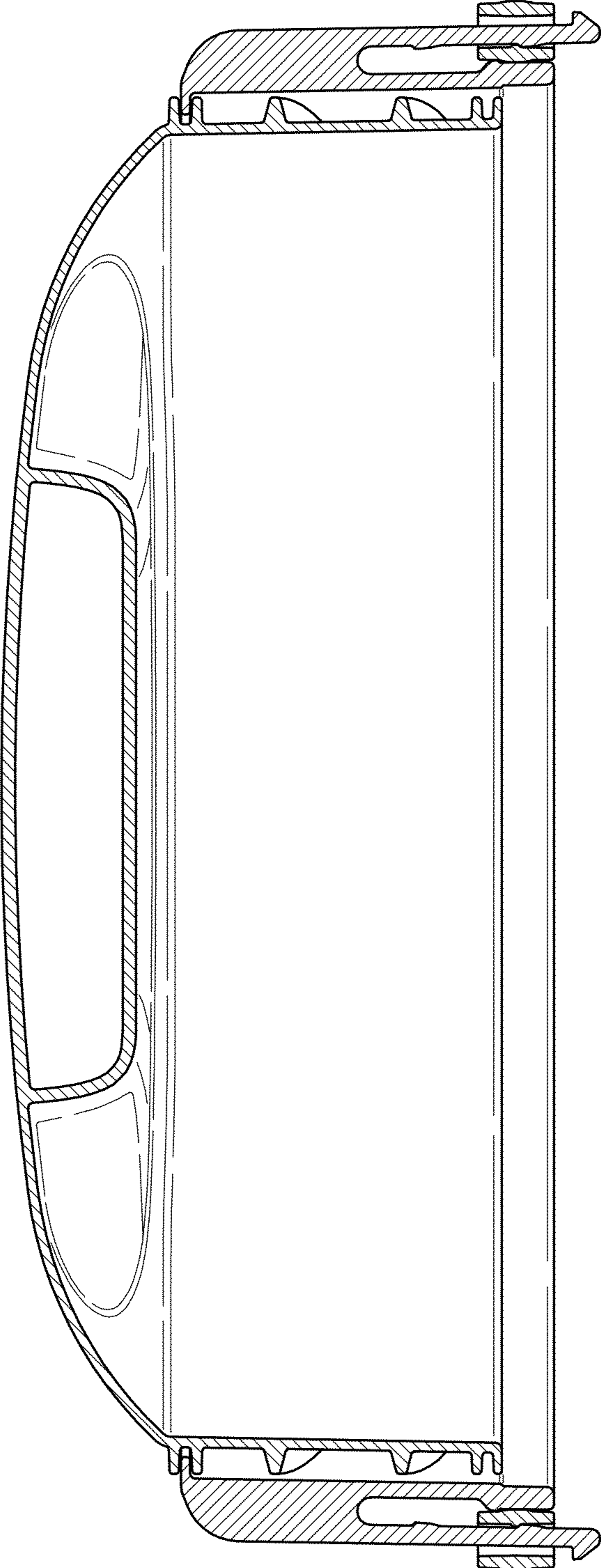


FIG. 9

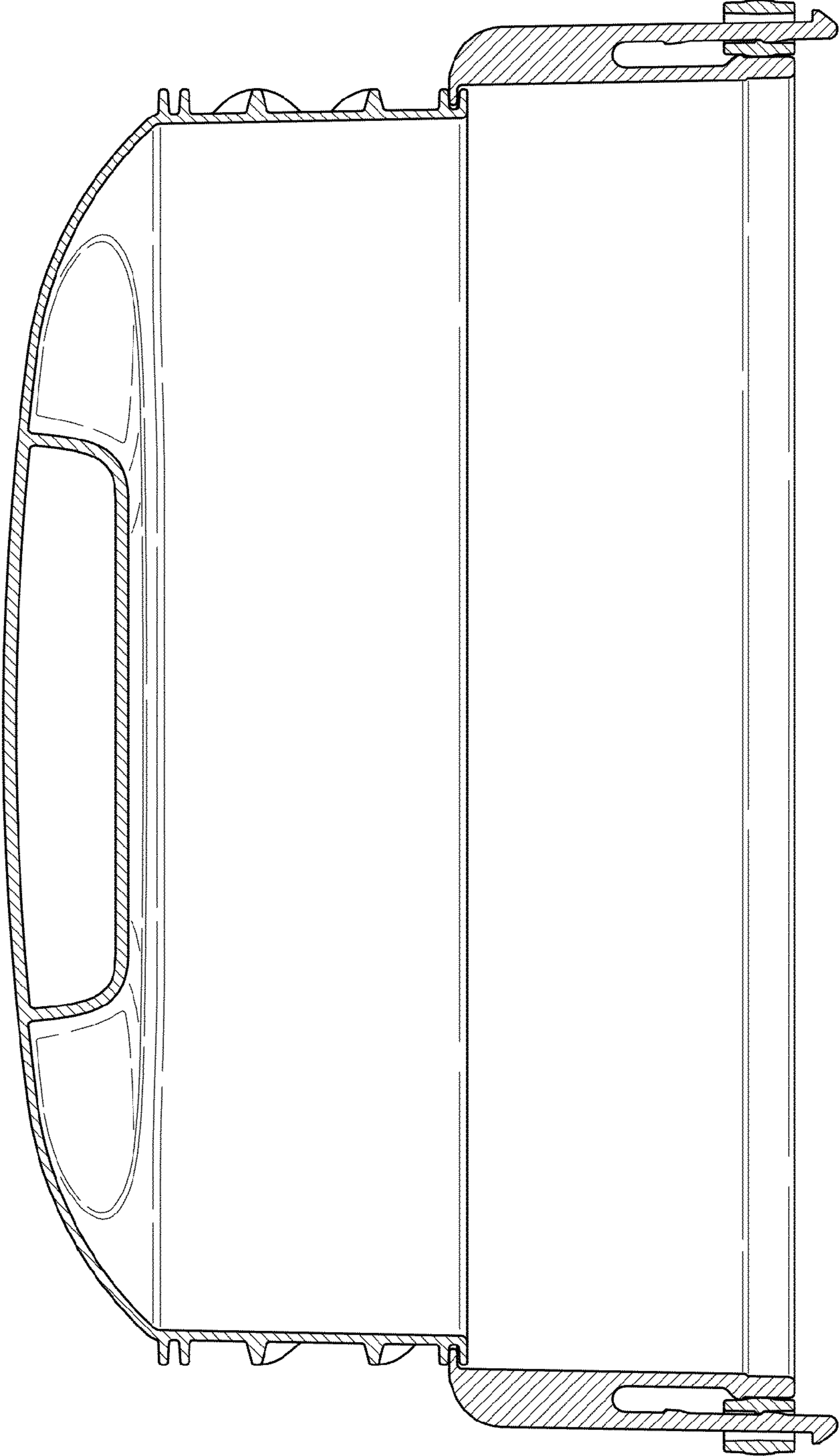


FIG. 10