



US00D708911S

(12) **United States Design Patent**  
**Rodriguez**

(10) **Patent No.:** **US D708,911 S**

(45) **Date of Patent:** **\*\* Jul. 15, 2014**

(54) **COLANDER TRAY FOR COOLERS**

(71) Applicant: **Marc E. Rodriguez**, Alvin, TX (US)

(72) Inventor: **Marc E. Rodriguez**, Alvin, TX (US)

(\*\*) Term: **14 Years**

(21) Appl. No.: **29/466,885**

(22) Filed: **Sep. 12, 2013**

(51) **LOC (10) Cl.** ..... **07-01**

(52) **U.S. Cl.**  
USPC ..... **D7/605; D7/667**

(58) **Field of Classification Search**  
CPC ..... F25D 3/08  
USPC ..... D7/605-608, 667, 550.1-554.4;  
211/188, 153, 187; 220/23.9, 759,  
220/915.1, 915.2, 592.2, 592.16-592.27;  
62/457.1-457.9, 371, 372, 60, 459,  
62/465; 248/127, 163.1, 346.01  
See application file for complete search history.

(56) **References Cited**

U.S. PATENT DOCUMENTS

4,565,074	A	1/1986	Morgan	
4,787,532	A	11/1988	Börjesson	
5,052,184	A *	10/1991	Jarvis	62/457.7
5,052,185	A *	10/1991	Spahr	62/457.7
D377,028	S	12/1996	Monday	
5,605,056	A *	2/1997	Brown et al.	62/457.4
6,126,124	A *	10/2000	Wagner	62/465
6,276,162	B1 *	8/2001	Schemel	62/457.2
6,405,557	B1 *	6/2002	DeCastro et al.	62/459
6,626,006	B1 *	9/2003	Tedder	62/457.7
D484,003	S *	12/2003	Bozych	D7/605

6,763,959	B2 *	7/2004	Tedder	211/188
7,013,670	B2 *	3/2006	Gonzalez et al.	62/457.1
7,628,033	B1	12/2009	Skeels et al.	
D608,157	S *	1/2010	White	D7/605
8,065,889	B1	11/2011	Silberman	

OTHER PUBLICATIONS

Franke OC-60S Orca Series Drain Tray in Stainless Steel. [http://www.kbauthority.com/Franke-OC-60S-Orca-Series-Drain-Tray-in-Stainless-Steel.html?gdftrk=gdfV26667\\_a\\_7c247\\_a\\_7c973\\_a\\_7cOC\\_d\\_60S&gclid=CLaA7NSA77cCFQyg4AodEE4Afg](http://www.kbauthority.com/Franke-OC-60S-Orca-Series-Drain-Tray-in-Stainless-Steel.html?gdftrk=gdfV26667_a_7c247_a_7c973_a_7cOC_d_60S&gclid=CLaA7NSA77cCFQyg4AodEE4Afg) Pub. Oct. 14, 2011.

Rubbermaid Clear Colander Drain Tray 1 EA [http://www.instawares.com/rubbermaid-clear-colander-drain.rub-330300clr.0.7.htm?s\\_cseid=GSHP&gclid=CMLBofCA77cCFVSe4AodogMArg](http://www.instawares.com/rubbermaid-clear-colander-drain.rub-330300clr.0.7.htm?s_cseid=GSHP&gclid=CMLBofCA77cCFVSe4AodogMArg) Published Sep. 9, 2009.

\* cited by examiner

*Primary Examiner* — Terry Wallace

(74) *Attorney, Agent, or Firm* — Robert C. Montgomery; Montgomery Patent & Design

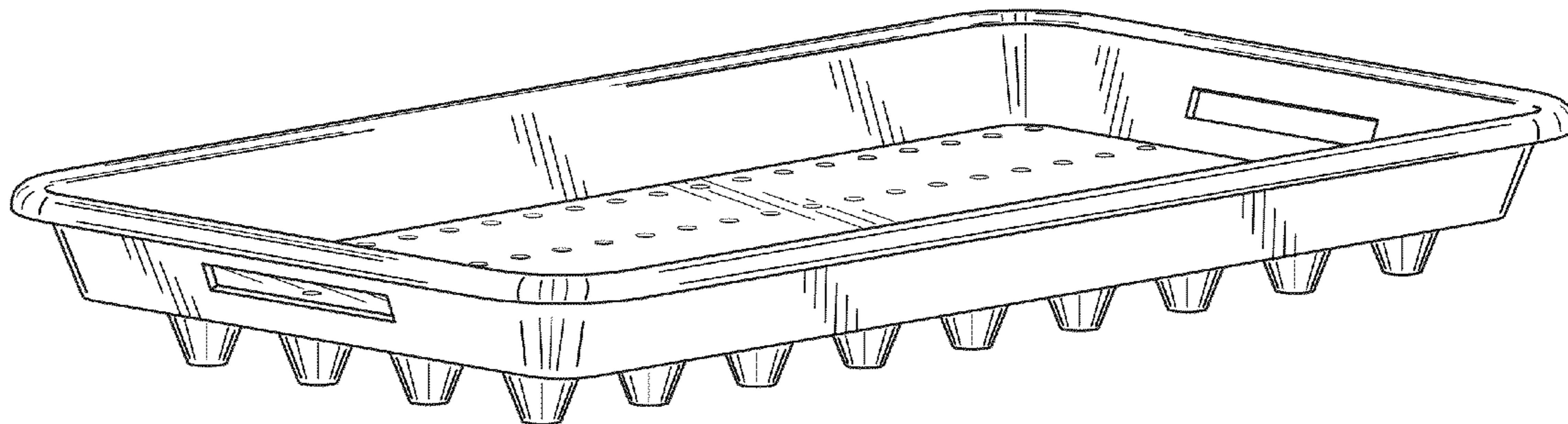
(57) **CLAIM**

The ornamental design for a colander tray for coolers, as shown and described.

**DESCRIPTION**

FIG. 1 is an isometric front view of a colander tray for coolers; FIG. 2 is front view thereof, wherein a rear view is a mirror image of the front view; FIG. 3 is a left-hand side view thereof, wherein a right-hand side view is a mirror image of the right-hand side view; FIG. 4 is a top view thereof; and, FIG. 5 is a bottom view thereof.

**1 Claim, 5 Drawing Sheets**



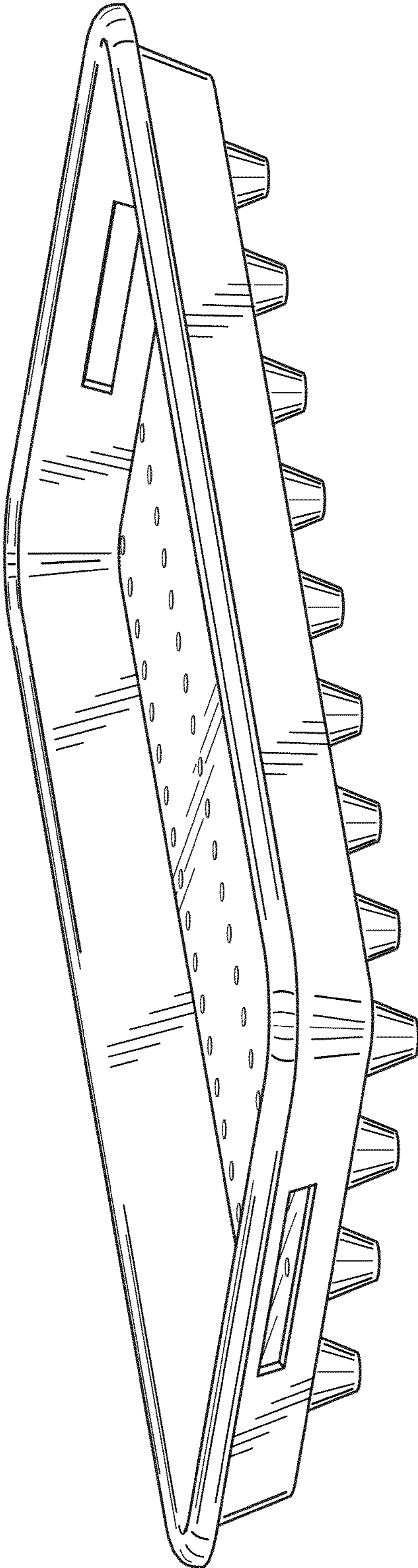


Fig. 1

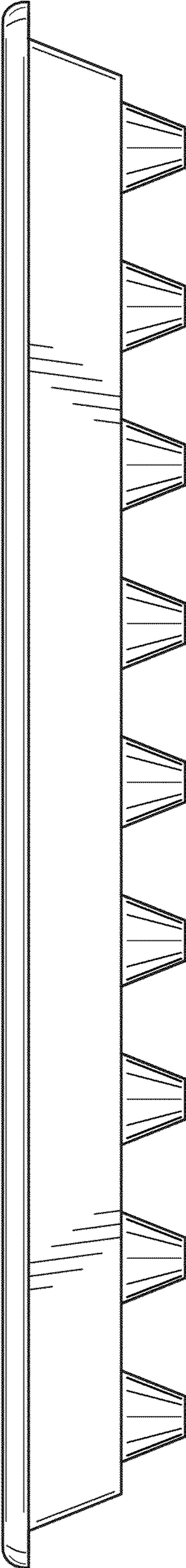


Fig. 2

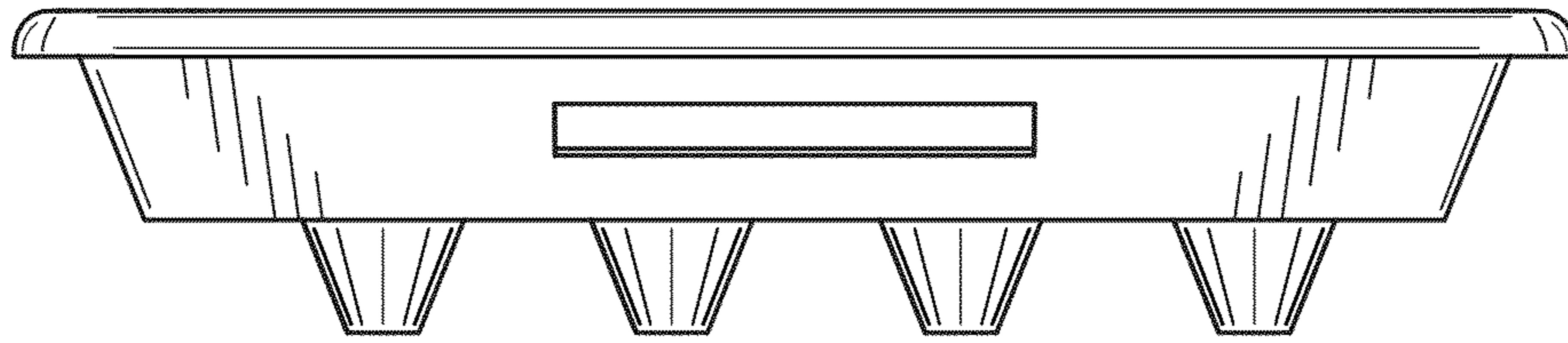


Fig. 3

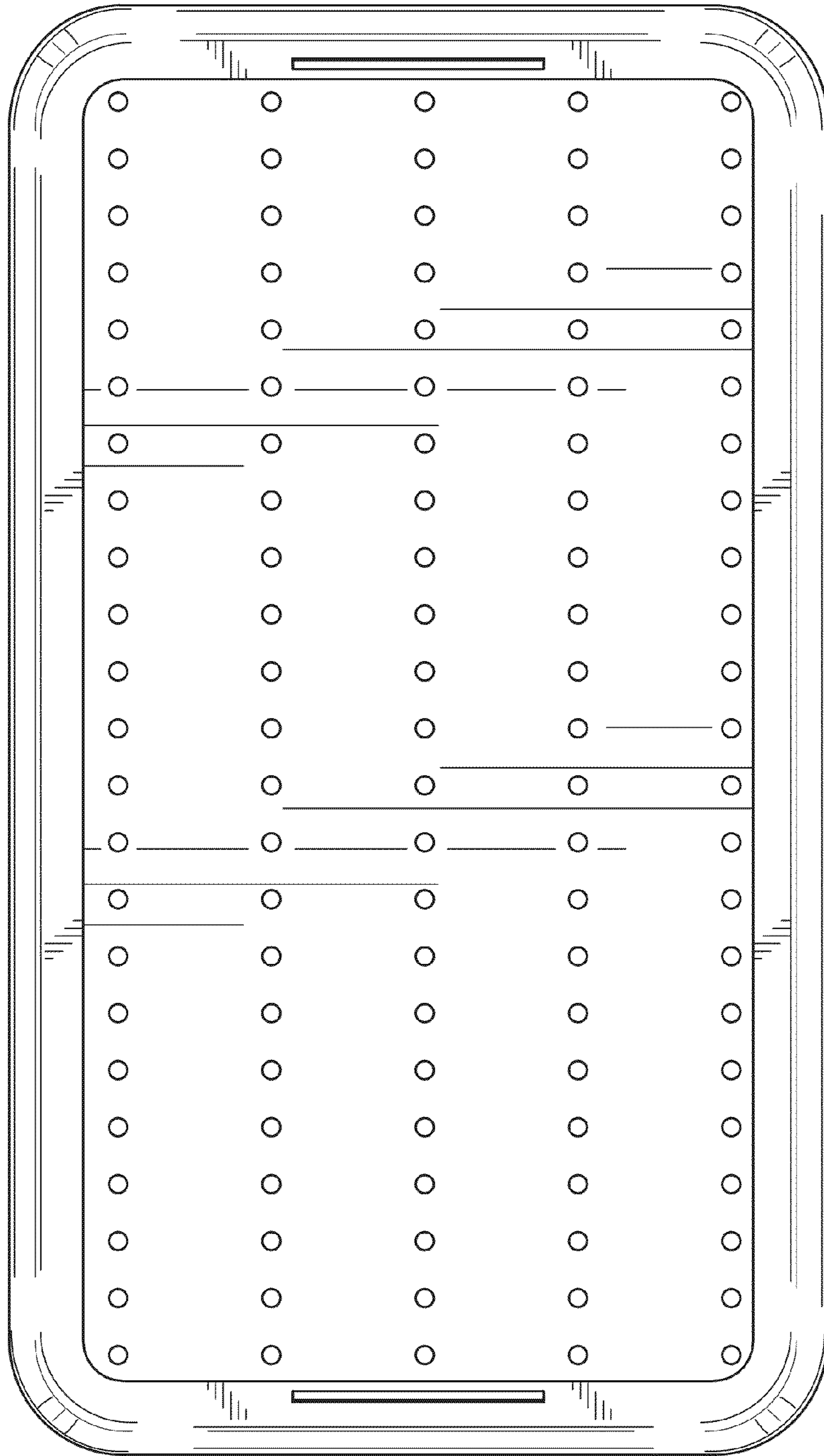


Fig. 4

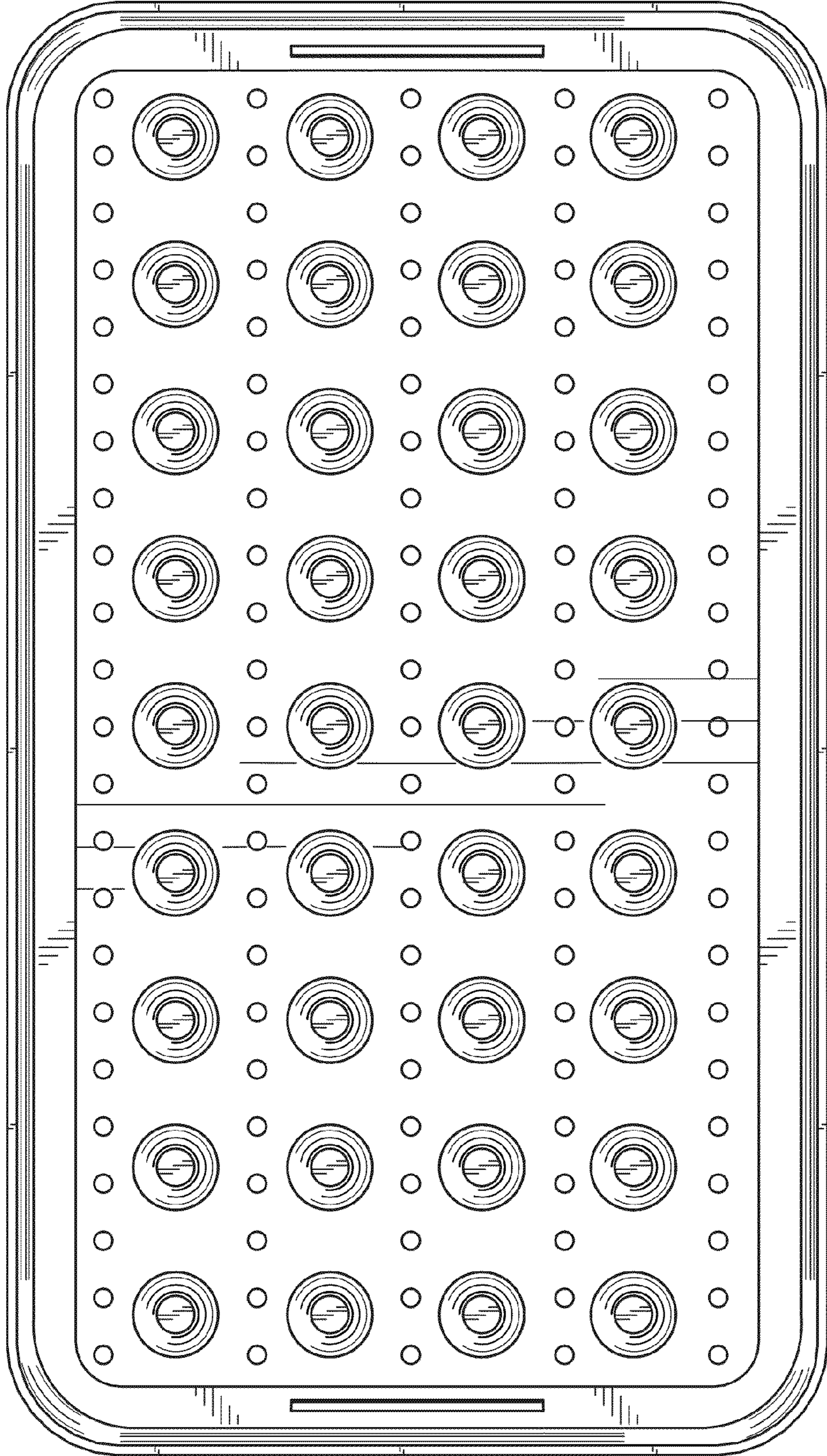


Fig. 5