



US00D708910S

(12) **United States Design Patent**
Heiberg et al.

(10) **Patent No.:** **US D708,910 S**
(45) **Date of Patent:** **** Jul. 15, 2014**

- (54) **MICROWAVE CONTAINER**
- (75) Inventors: **Jakob Heiberg**, Gentofte (DK); **Vincent Jalet**, Brussels (BE)
- (73) Assignee: **Dart Industries Inc.**, Orlando, FL (US)
- (**) Term: **14 Years**
- (21) Appl. No.: **29/421,427**
- (22) Filed: **Jul. 25, 2012**
- (51) **LOC (10) Cl.** **07-01**
- (52) **U.S. Cl.**
USPC **D7/602; D7/630**
- (58) **Field of Classification Search**
CPC B65D 21/004
USPC D7/602, 629, 630, 538-549, 584, 586,
D7/587; D9/424-529; 220/574-575,
220/780-806, 675, 326, 236, 573.1
See application file for complete search history.

D416,754 S 11/1999 Laib
D417,367 S 12/1999 Laib
D537,300 S * 2/2007 Kim D7/629

(Continued)

Primary Examiner — Terry Wallace
(74) *Attorney, Agent, or Firm* — John A. Doninger

(57) **CLAIM**
The ornamental design for a microwave container, as shown and described.

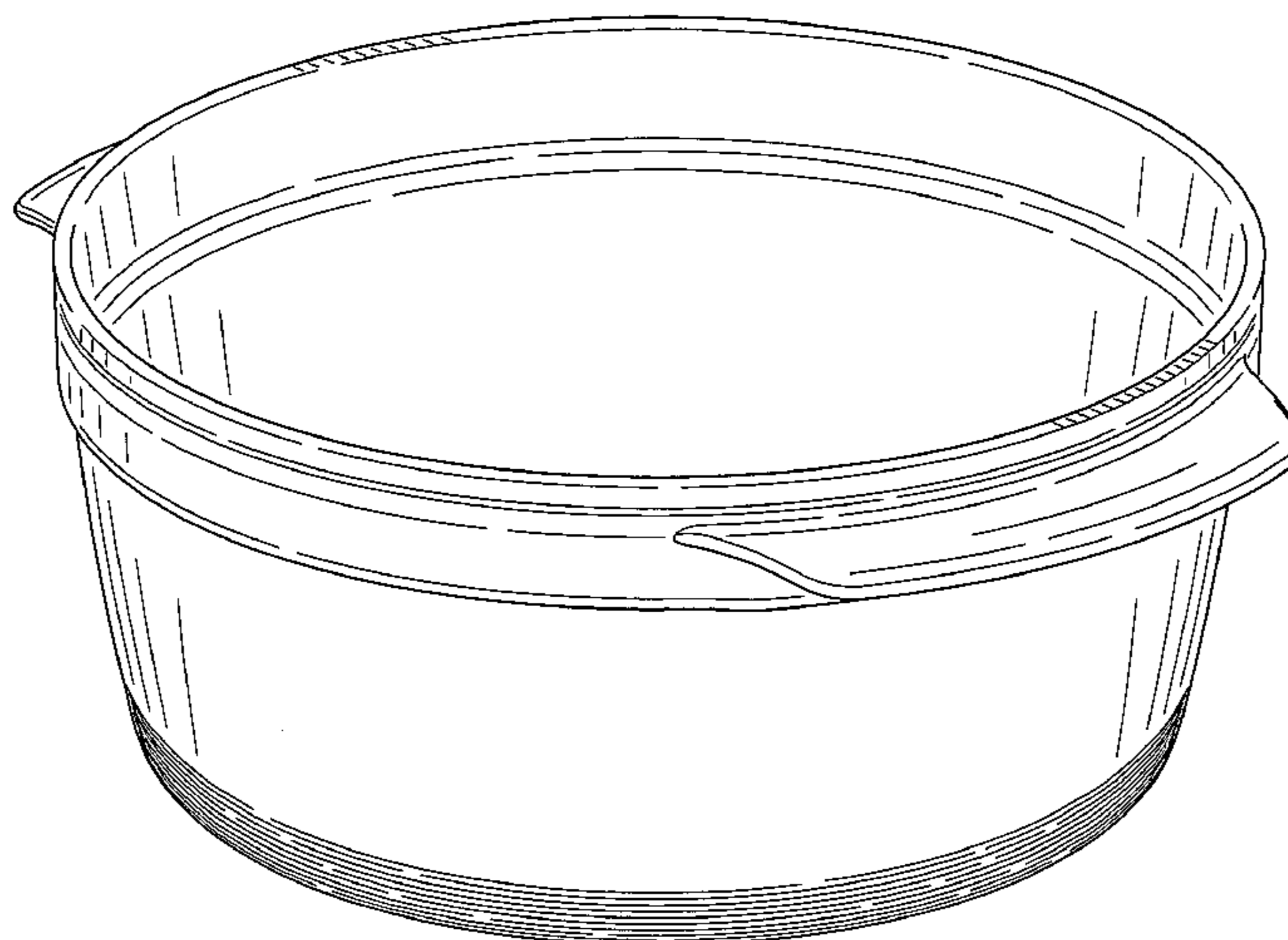
DESCRIPTION

FIG. 1 is a top, side and front perspective view of the first embodiment of a microwave container showing my new design;
FIG. 2 is a bottom, side and rear perspective view thereof;
FIG. 3 is a front elevation view, the rear elevation being identical thereto;
FIG. 4 is a right side elevation view, the left side elevation being identical thereto;
FIG. 5 is a top plan view thereof;
FIG. 6 is a bottom plan view thereof;
FIG. 7 is a cross-sectional view taken along line 7-7 of FIG. 5;
FIG. 8 is a cross-sectional view taken along line 8-8 of FIG. 5;
FIG. 9 is a top, side and front perspective view of the second embodiment of a microwave container showing my new design;
FIG. 10 is a bottom, side and rear perspective view thereof;
FIG. 11 is a front elevation view, the rear elevation being identical thereto;
FIG. 12 is a right side elevation view, the left side elevation being identical thereto;
FIG. 13 is a top plan view thereof;
FIG. 14 is a bottom plan view thereof;
FIG. 15 is a cross-sectional view taken along line 15-15 of FIG. 13; and,
FIG. 16 is a cross-sectional view taken along line 16-16 of FIG. 13.

(56) **References Cited**
U.S. PATENT DOCUMENTS

D98,266 S	1/1936	Manoha	
D107,585 S	12/1937	Titze	
D113,024 S	1/1939	Titze	
D117,858 S	11/1939	Thorley	
D248,076 S	6/1978	Christian	
D277,252 S	1/1985	Gulotta	
D288,649 S	3/1987	Daenen et al.	
5,065,889 A	11/1991	Conti	
D326,797 S	6/1992	Pomroy et al.	
D333,754 S	3/1993	Conti	
D338,807 S	8/1993	Conti	
5,409,126 A *	4/1995	DeMars	220/4.27
D371,938 S *	7/1996	Davis	D7/540
D378,039 S	2/1997	Ferris	
5,868,273 A *	2/1999	Daenen et al.	220/795

1 Claim, 16 Drawing Sheets



US D708,910 S

Page 2

(56)

References Cited

U.S. PATENT DOCUMENTS

D551,496 S	9/2007	Ablo et al.		
D621,667 S *	8/2010	Ablo	D7/629	* cited by examiner
D634,986 S *	3/2011	Smyers	D7/629	
D641,209 S	7/2011	Ablo		
D669,313 S *	10/2012	Paladino et al.	D7/602	

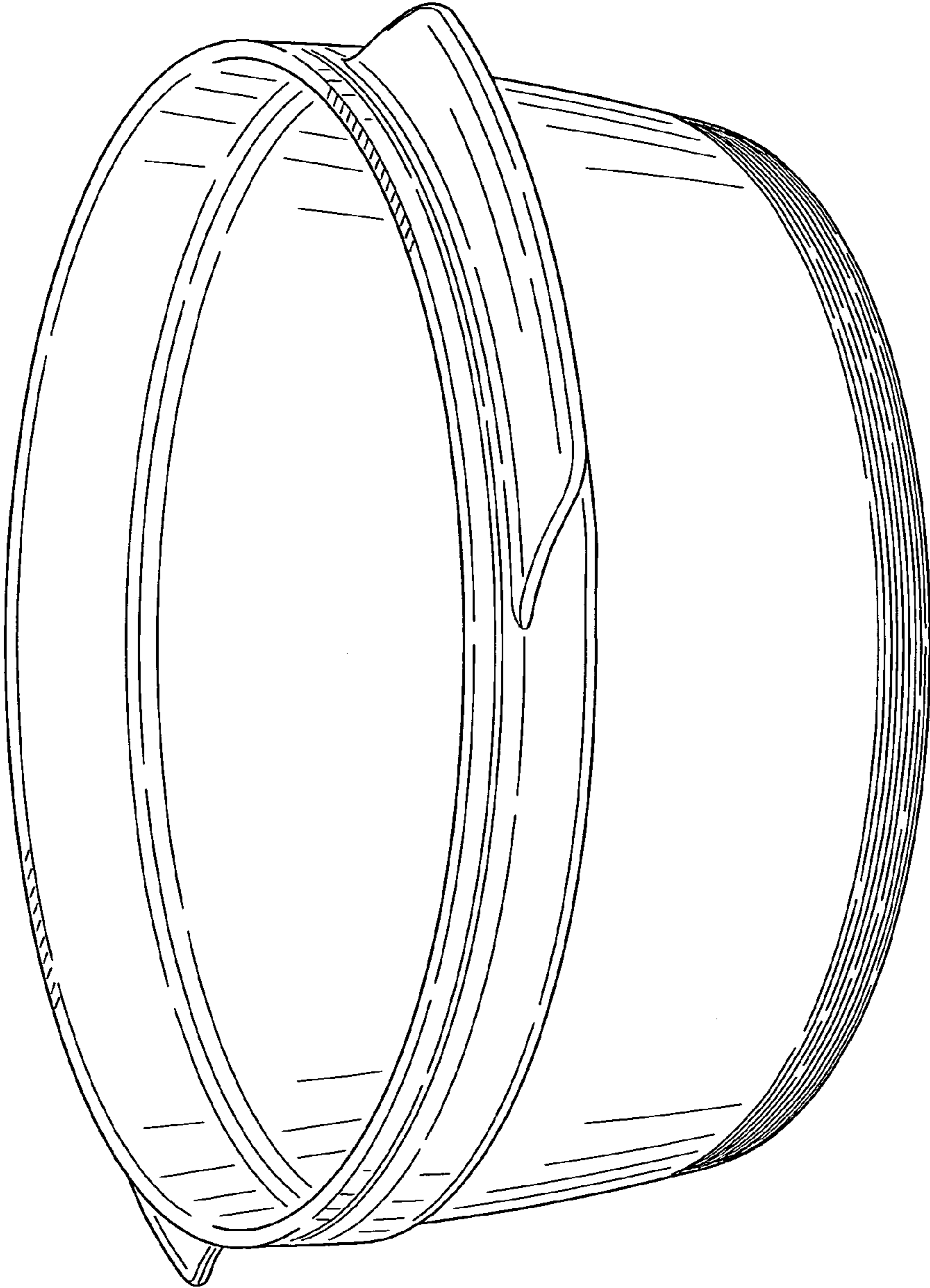


FIG. 1

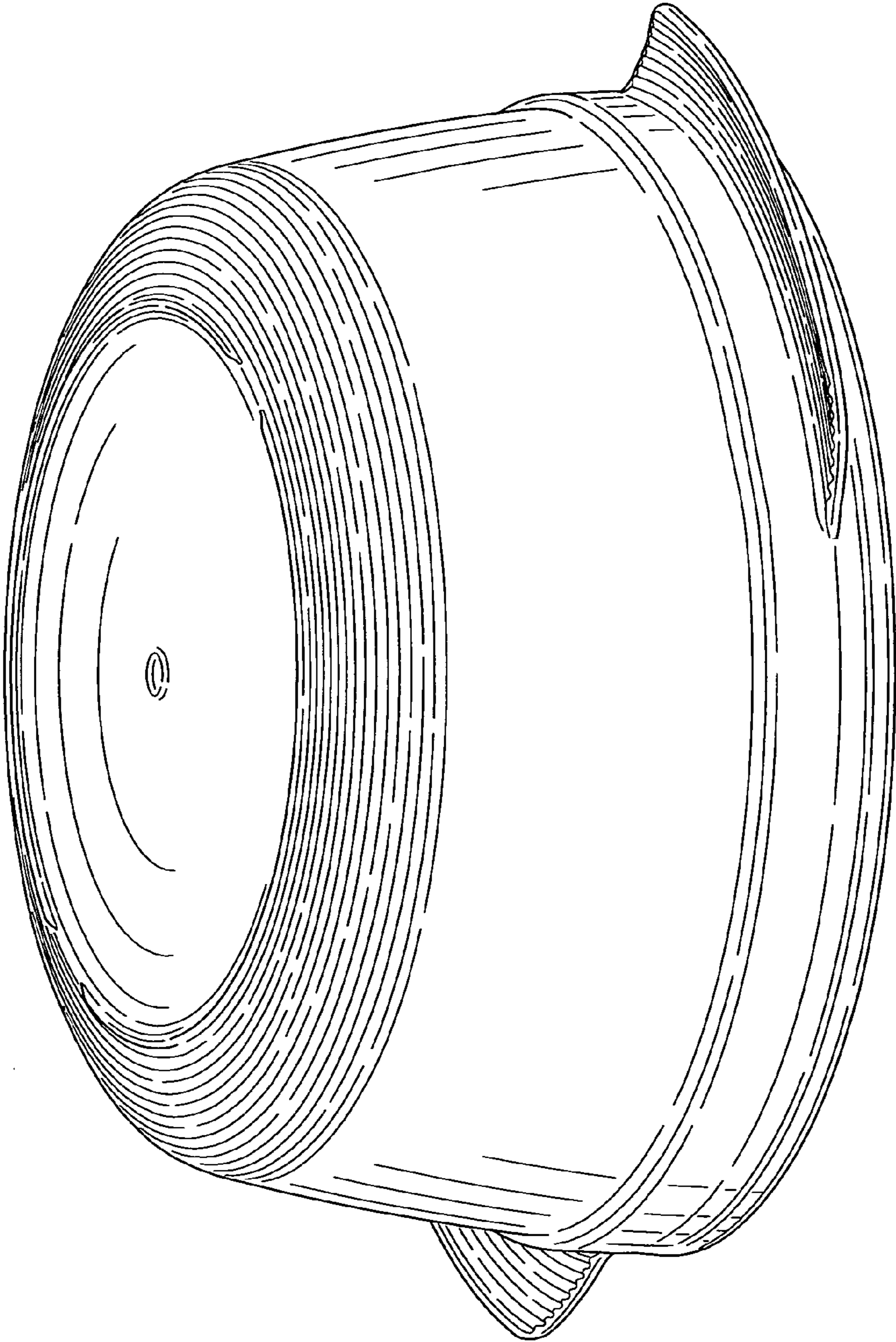


FIG. 2

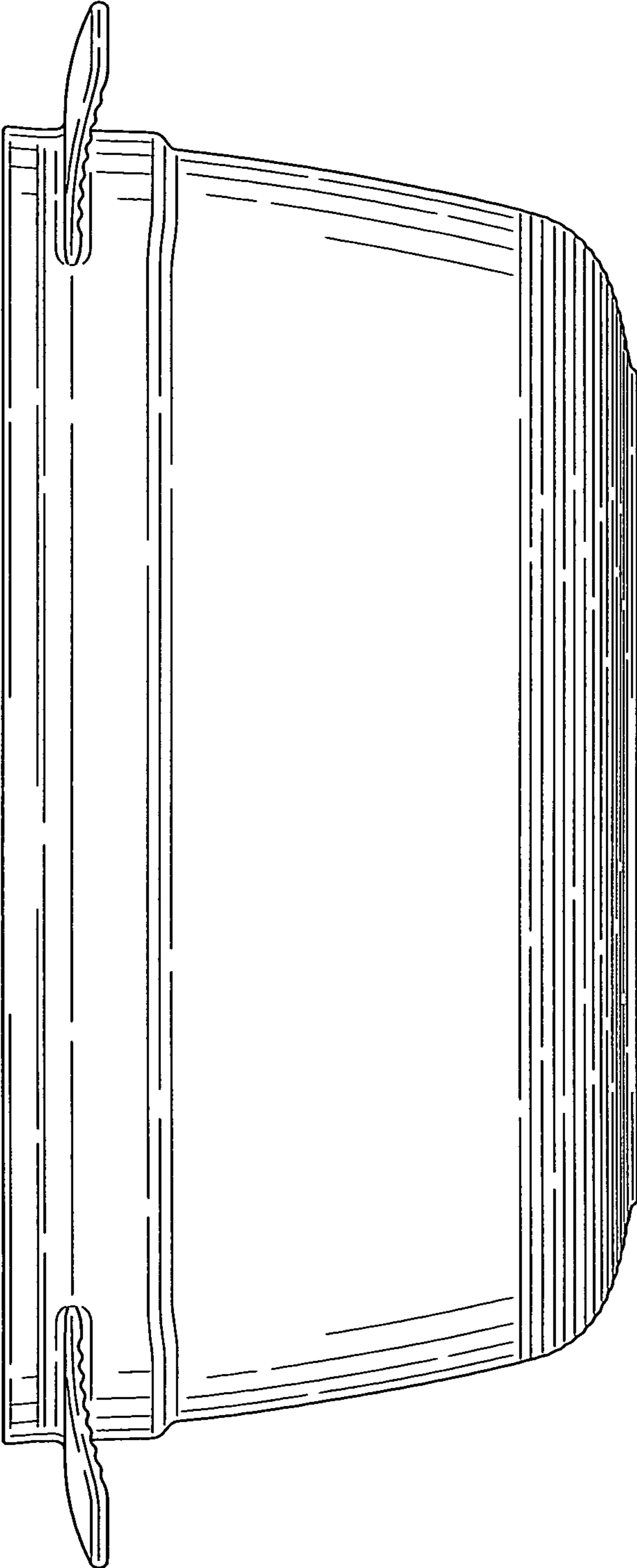


FIG. 3

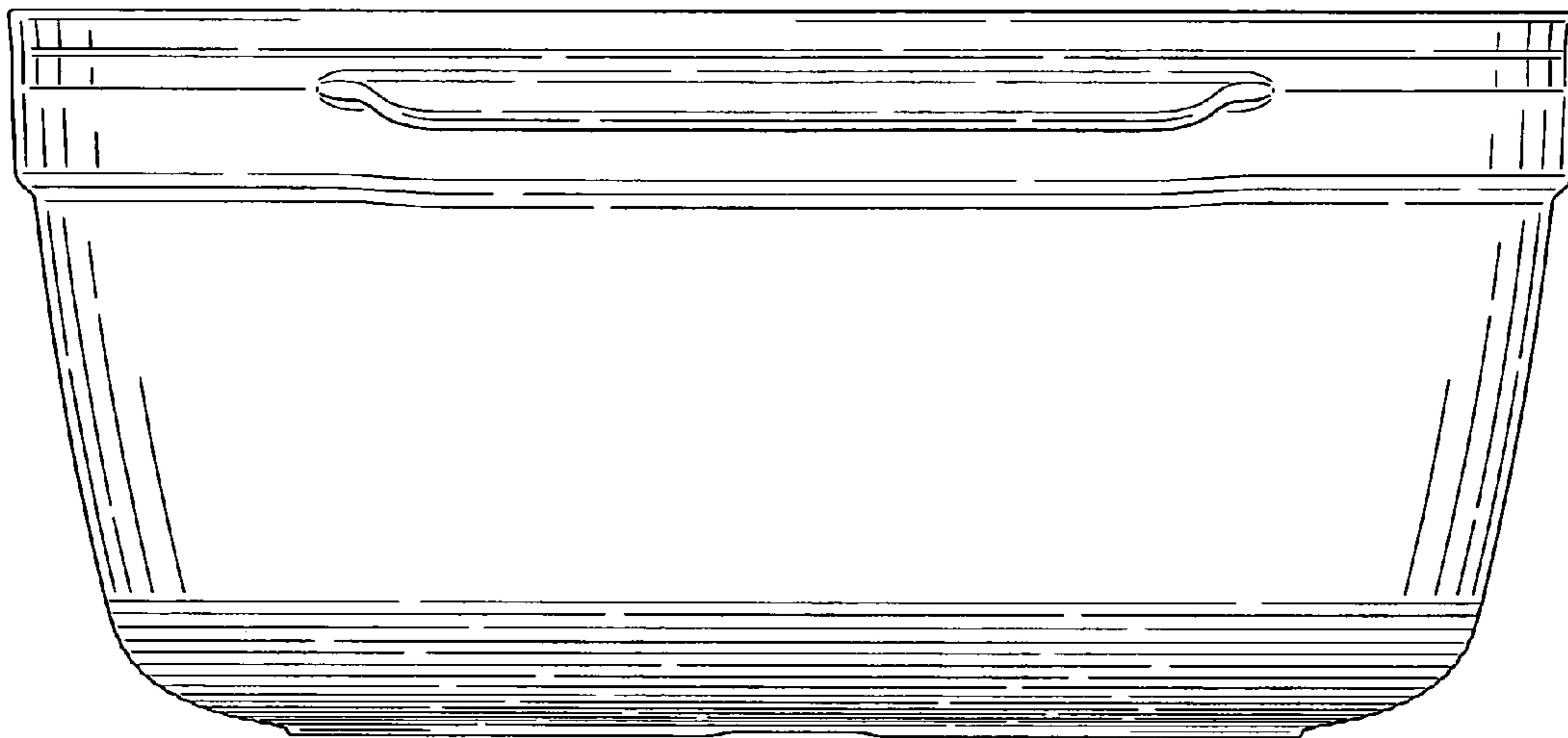


FIG. 4

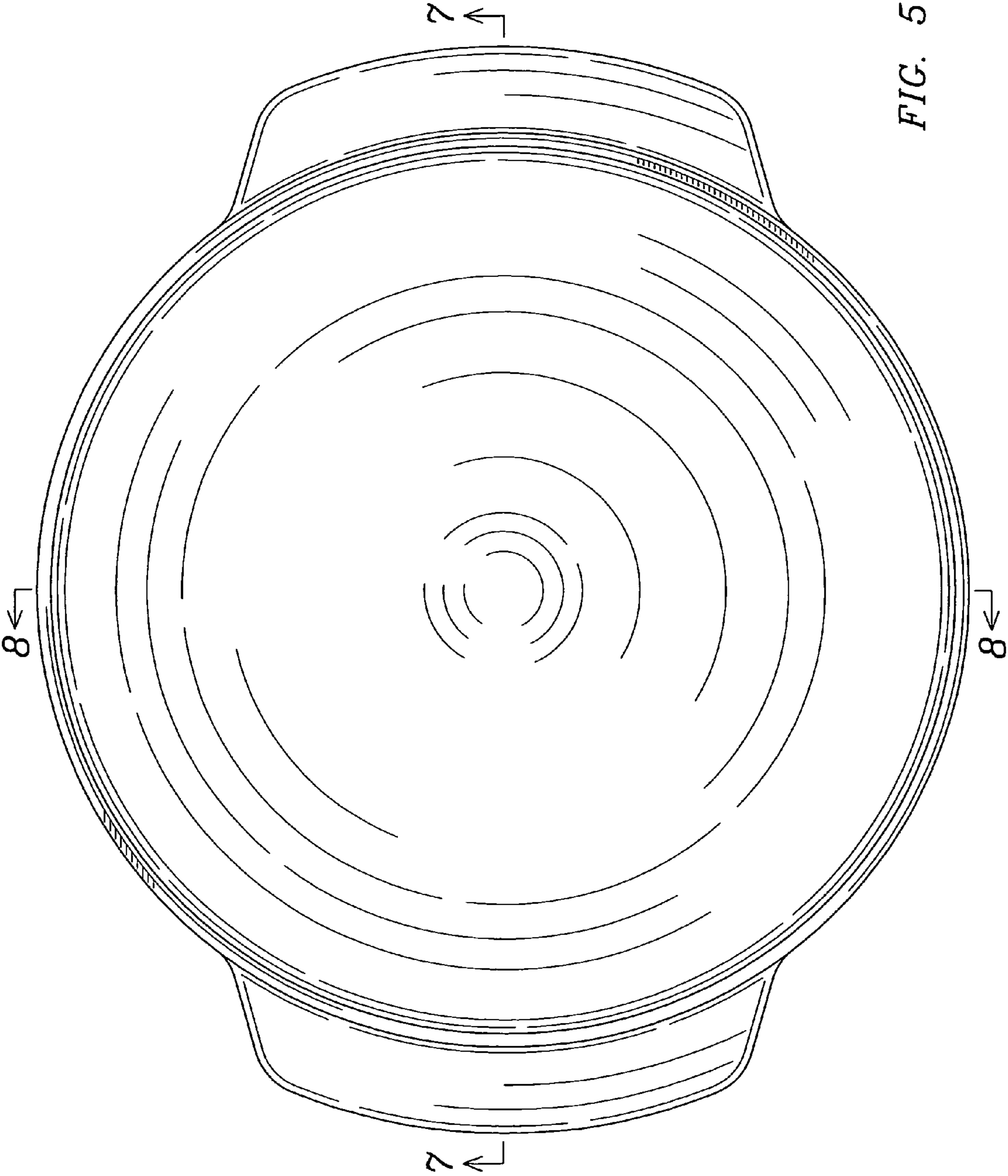


FIG. 5

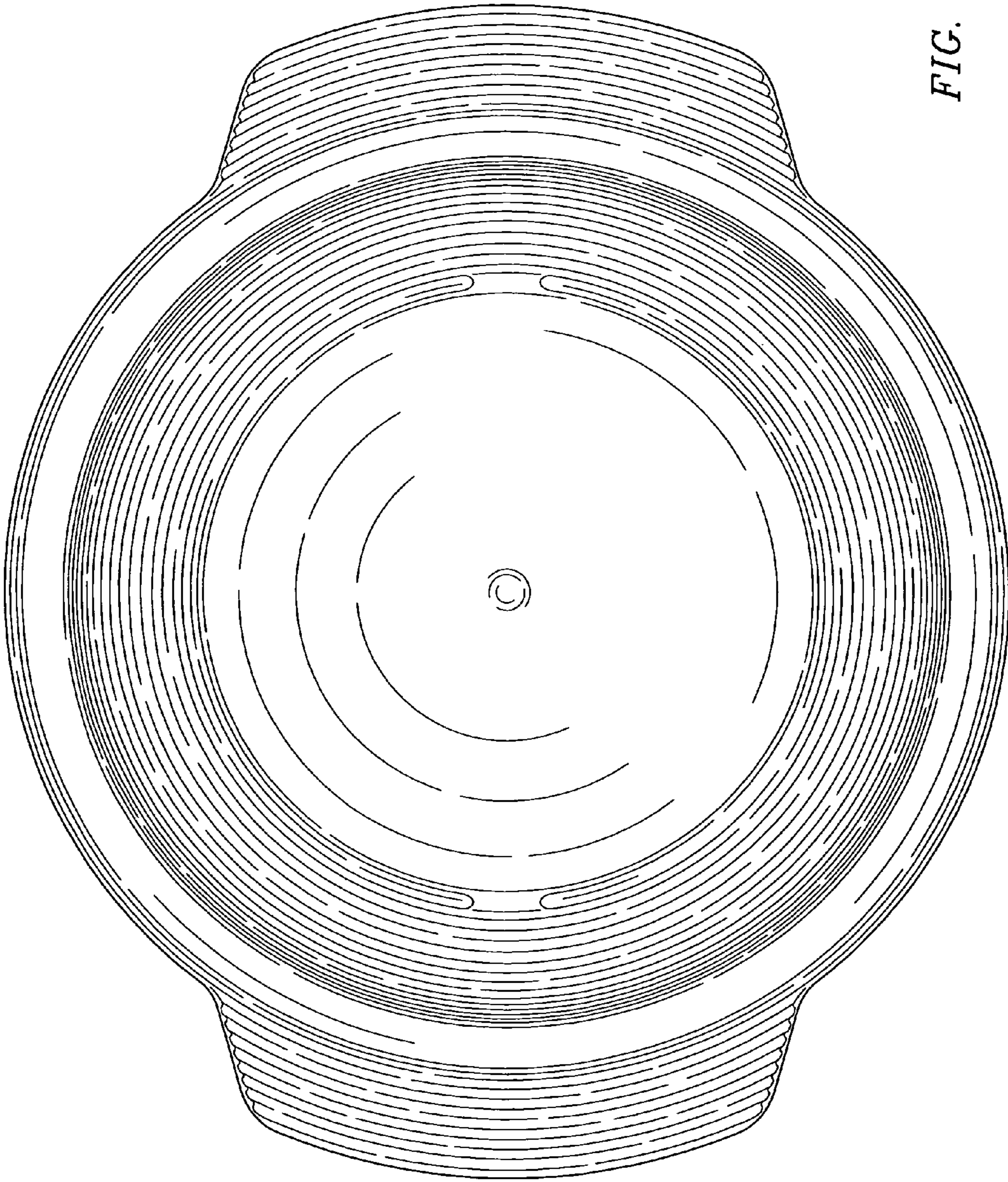


FIG. 6

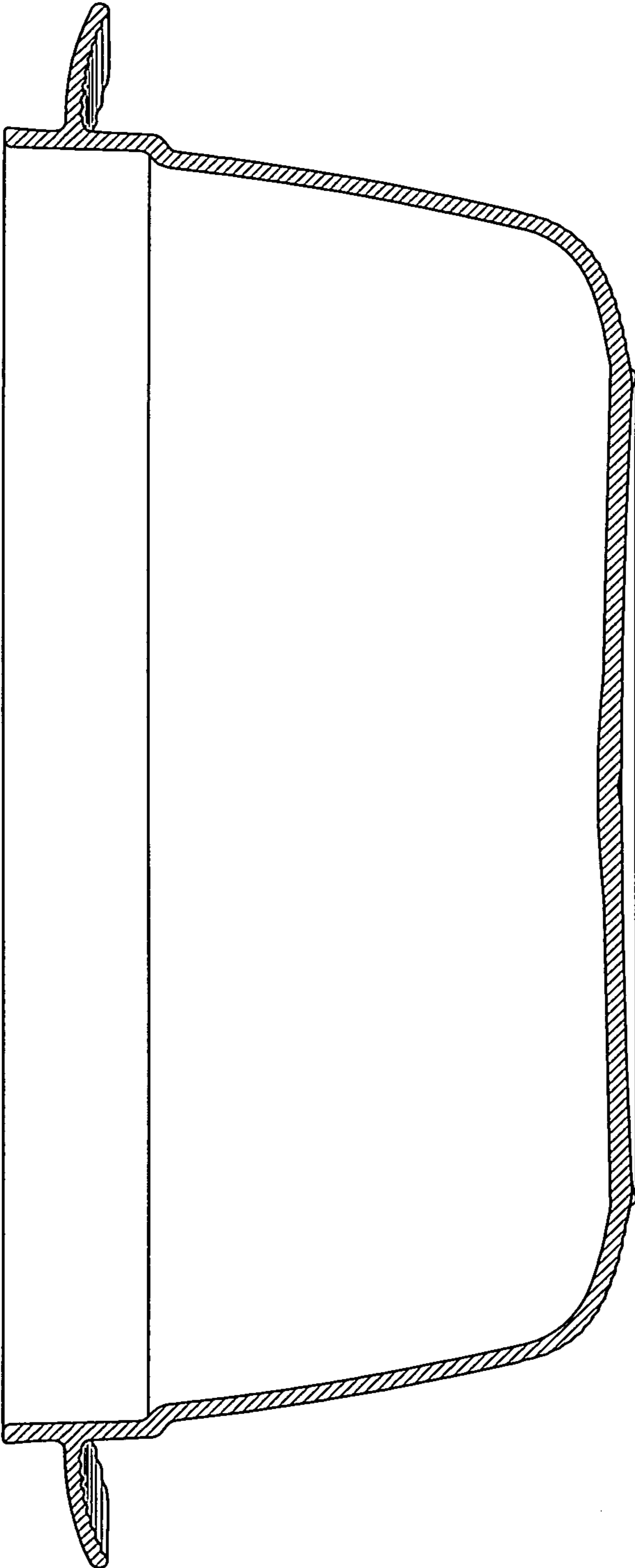


FIG. 7

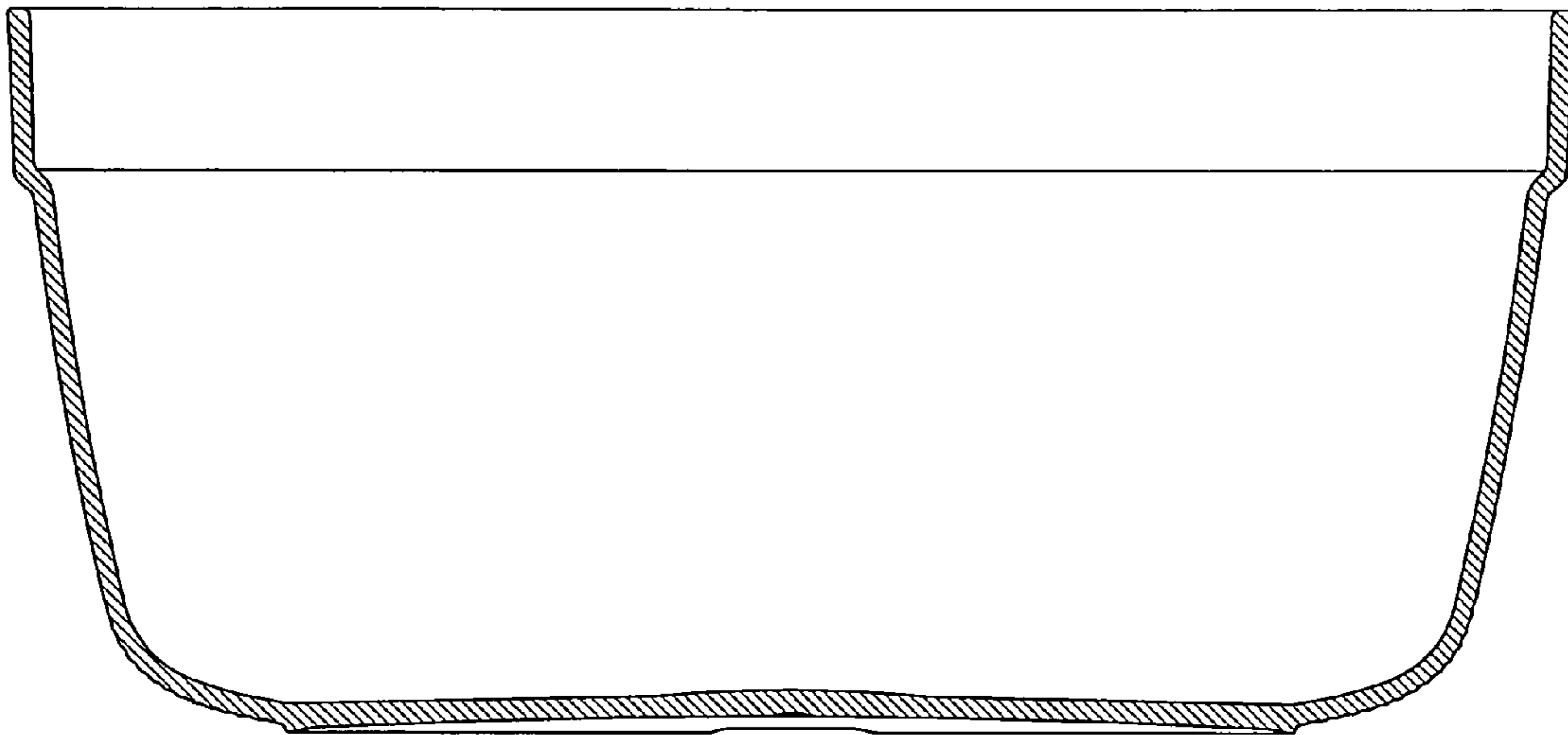


FIG. 8

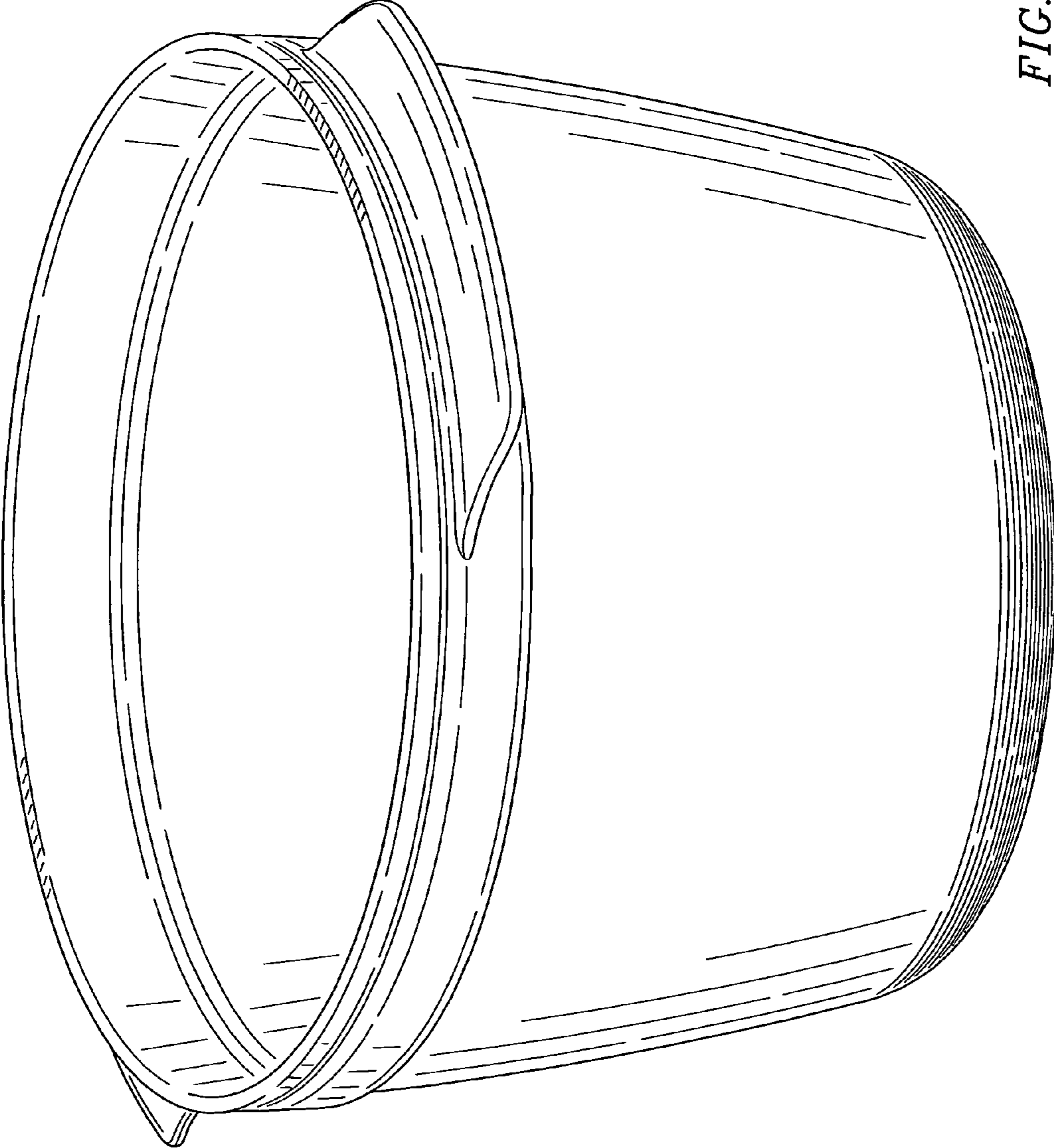


FIG. 9

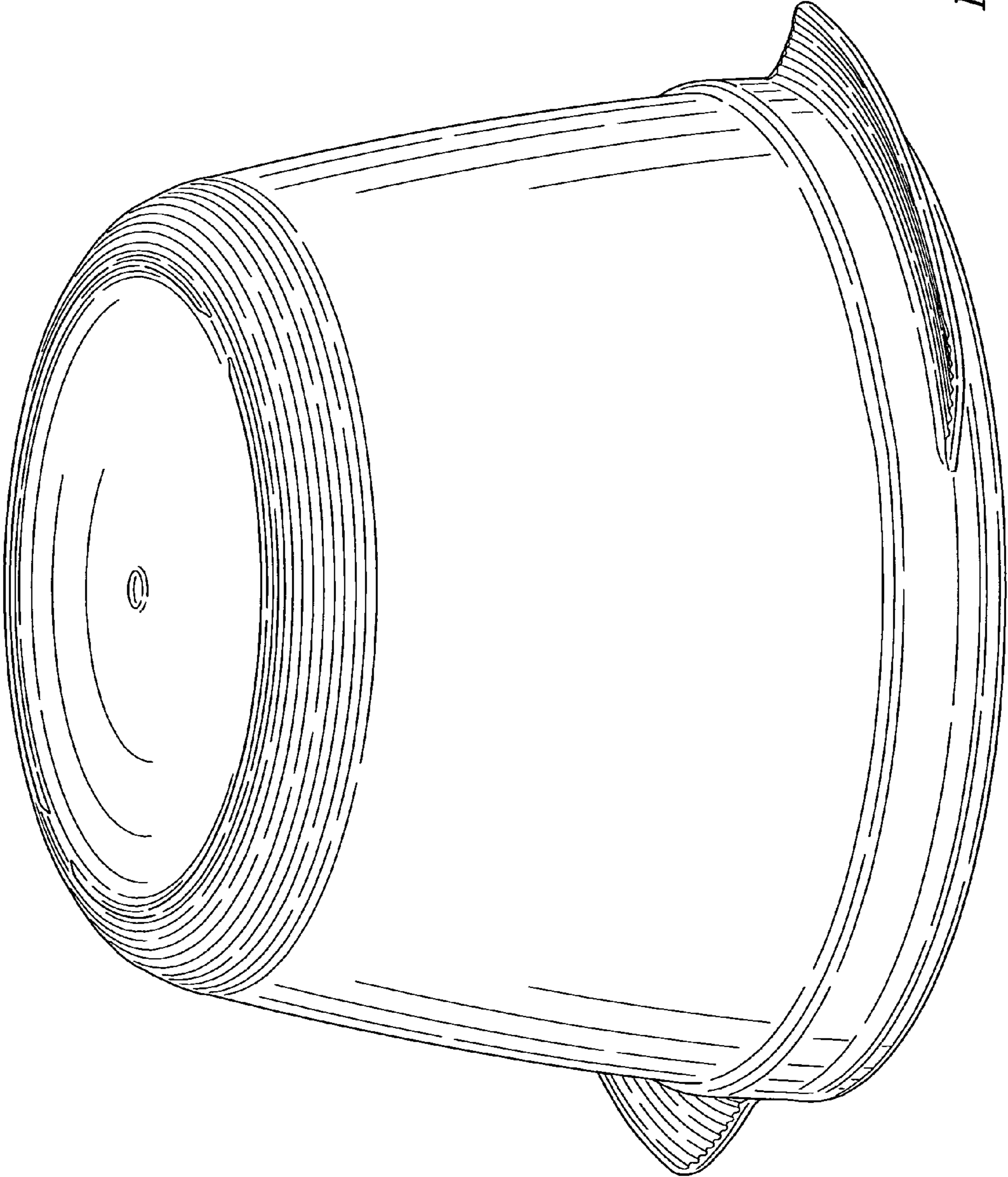


FIG. 10

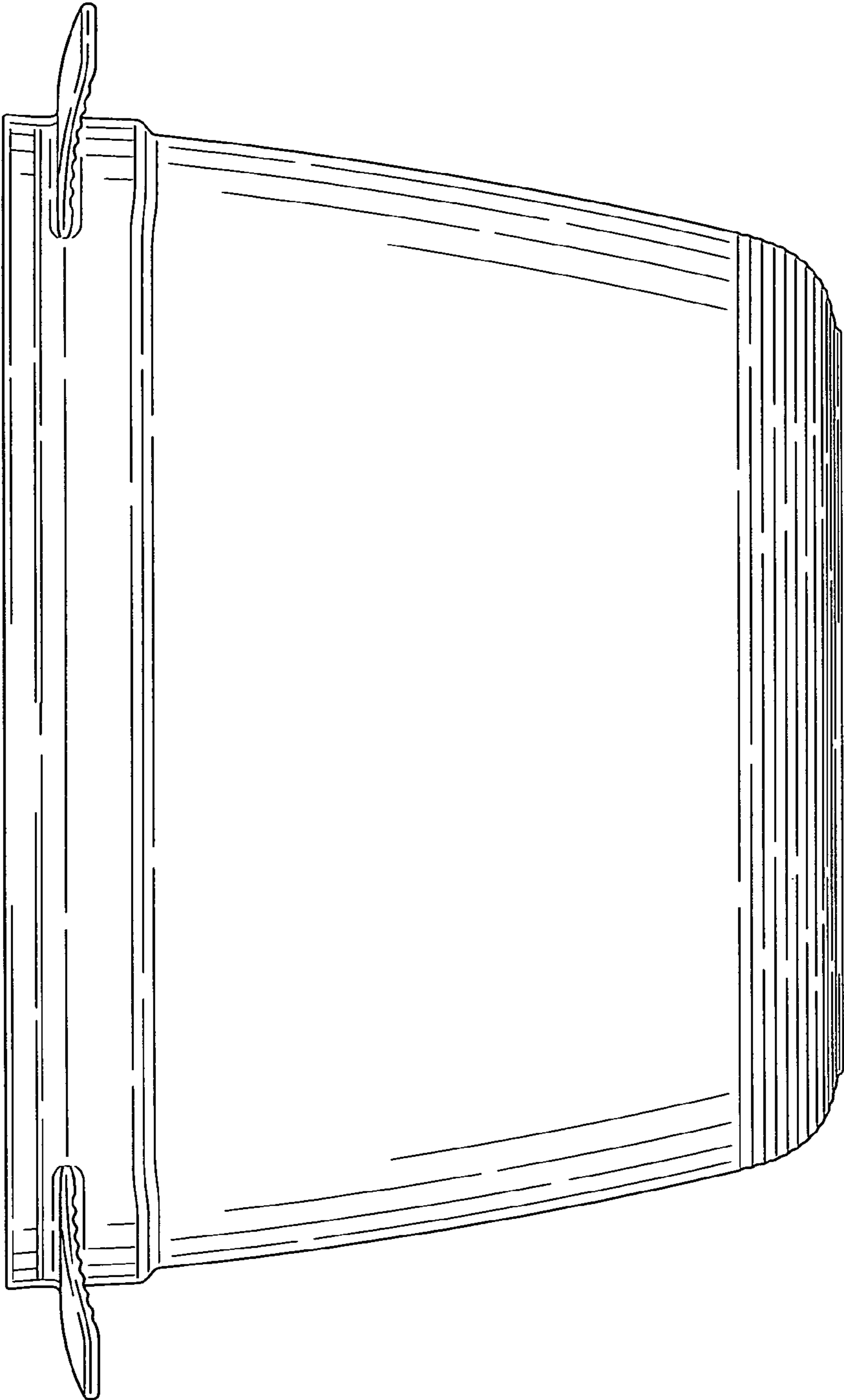


FIG. 11

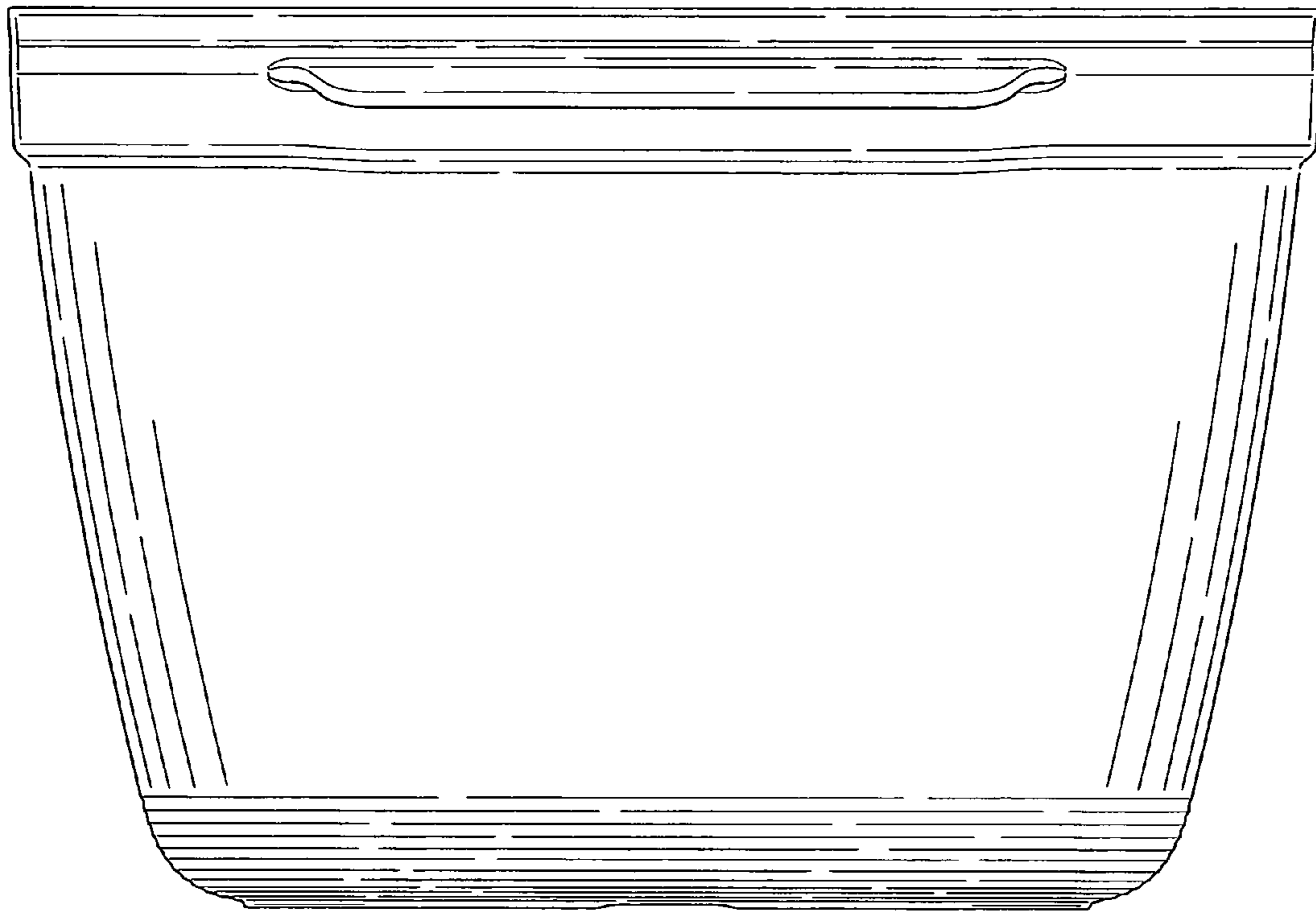


FIG. 12

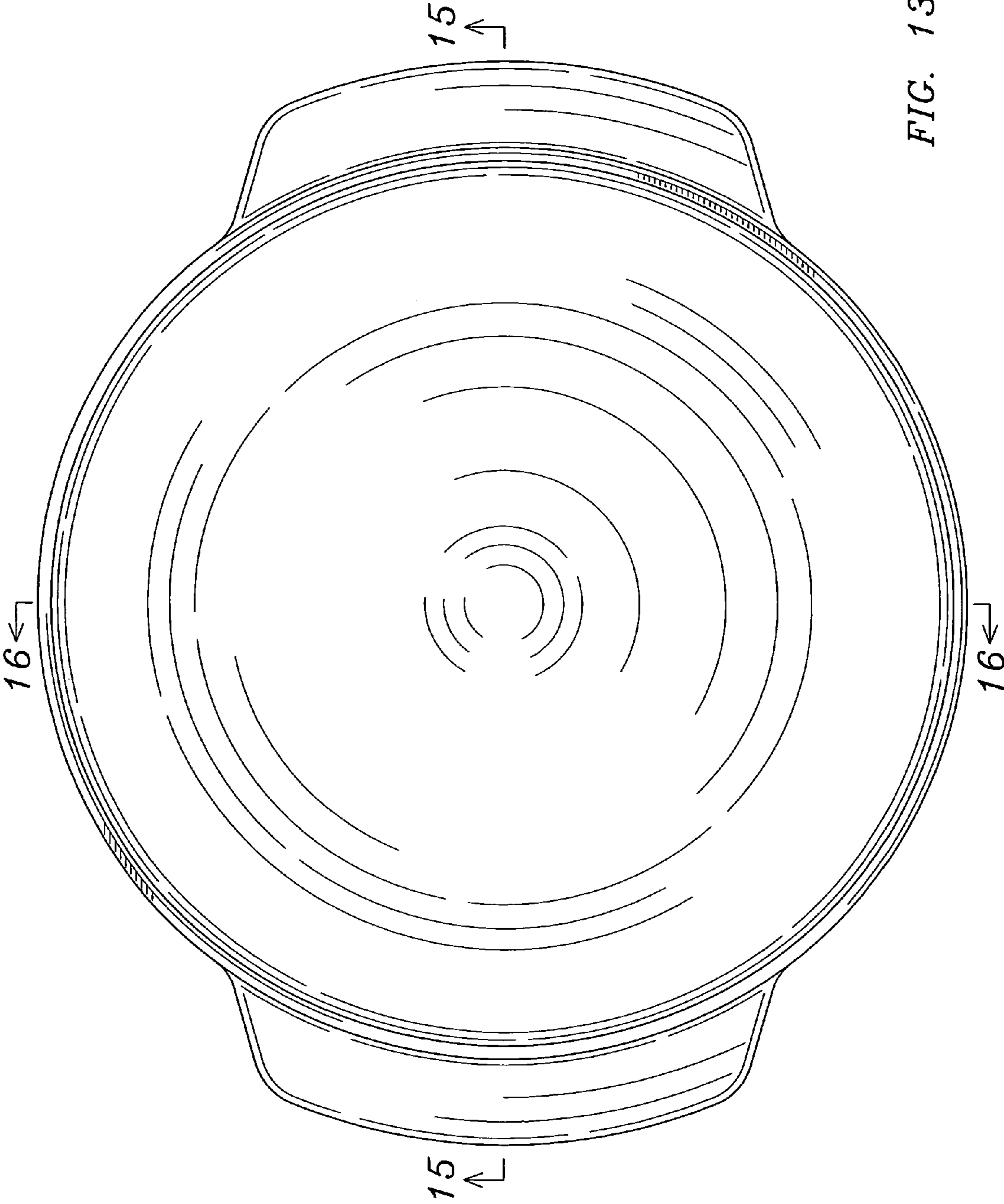


FIG. 13

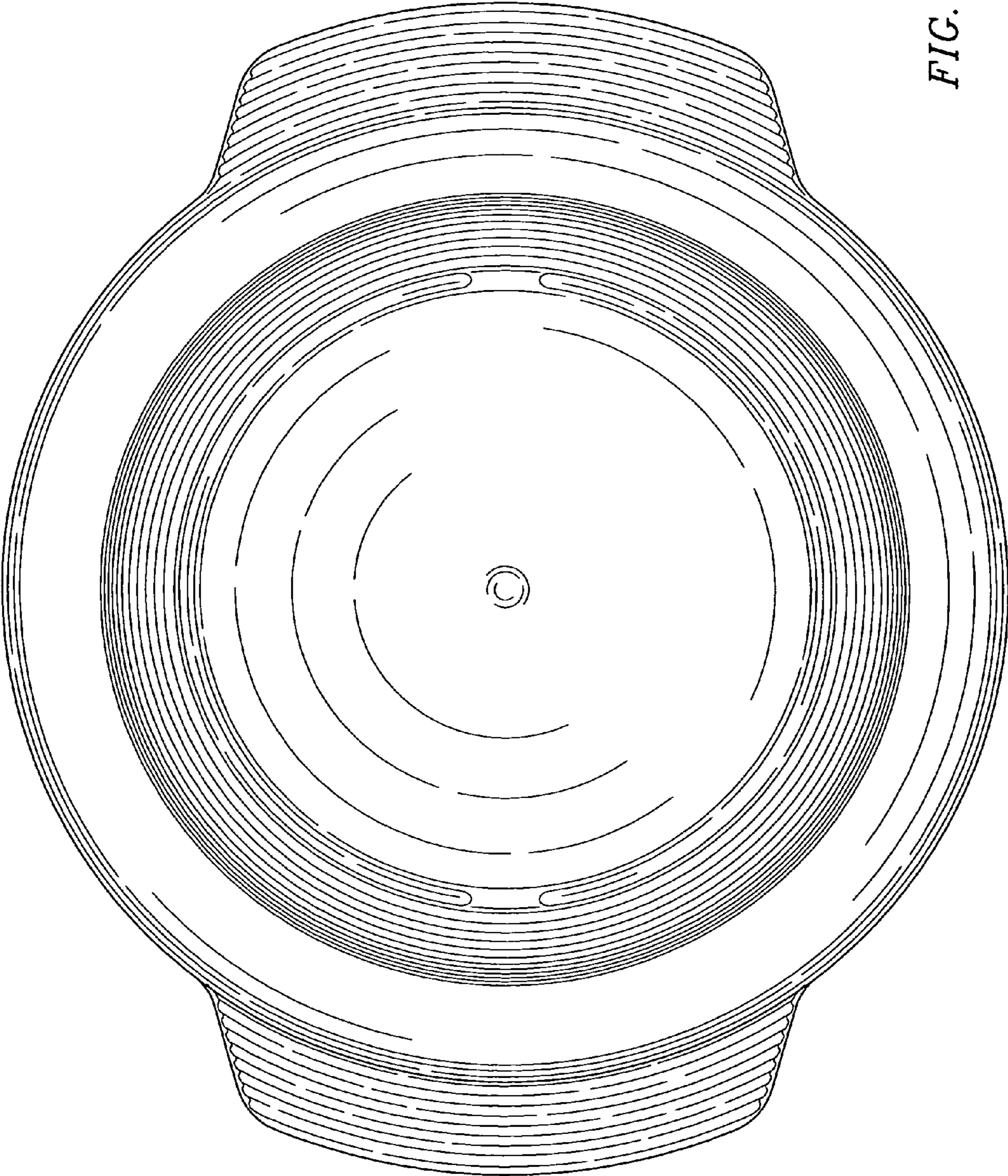


FIG. 14

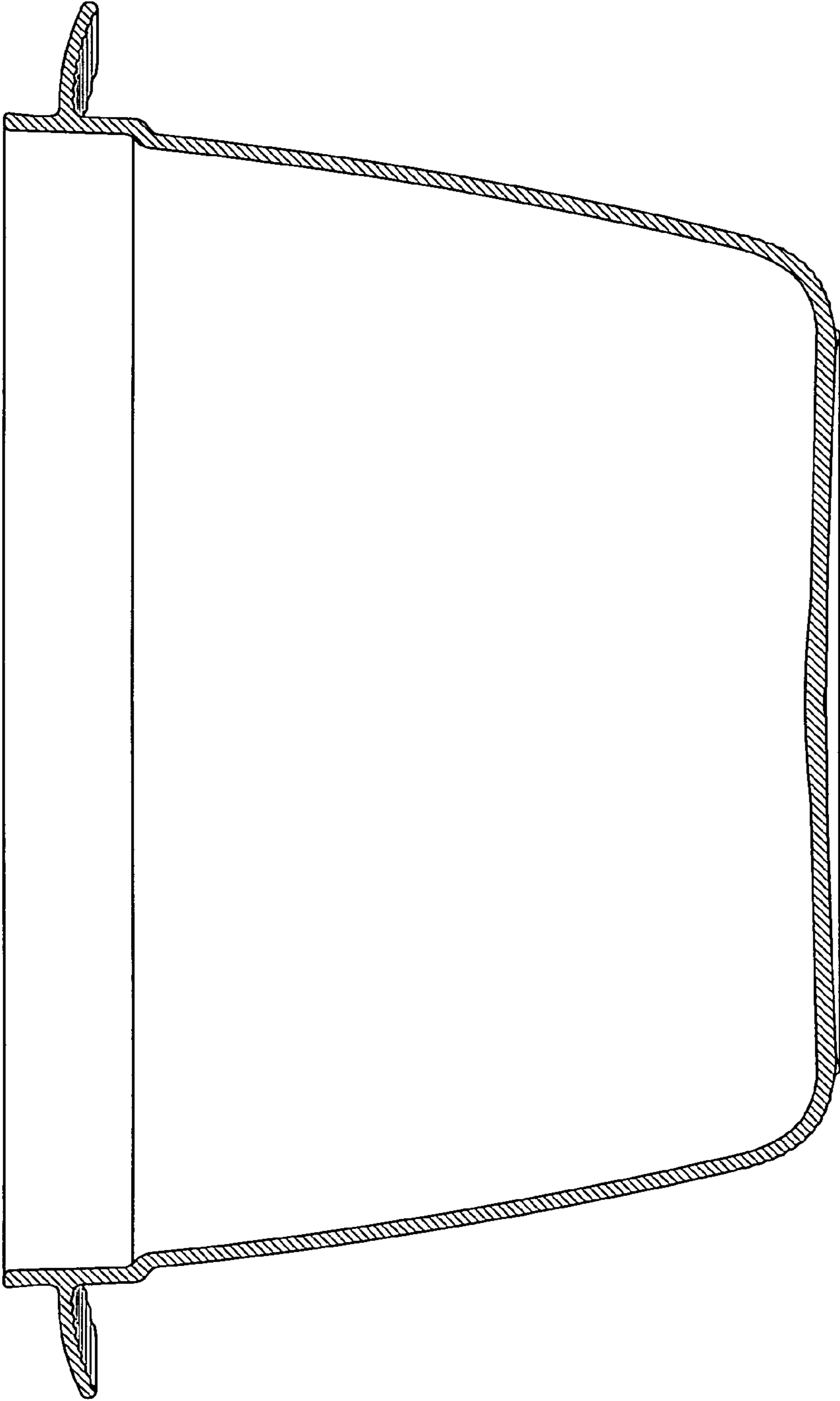


FIG. 15

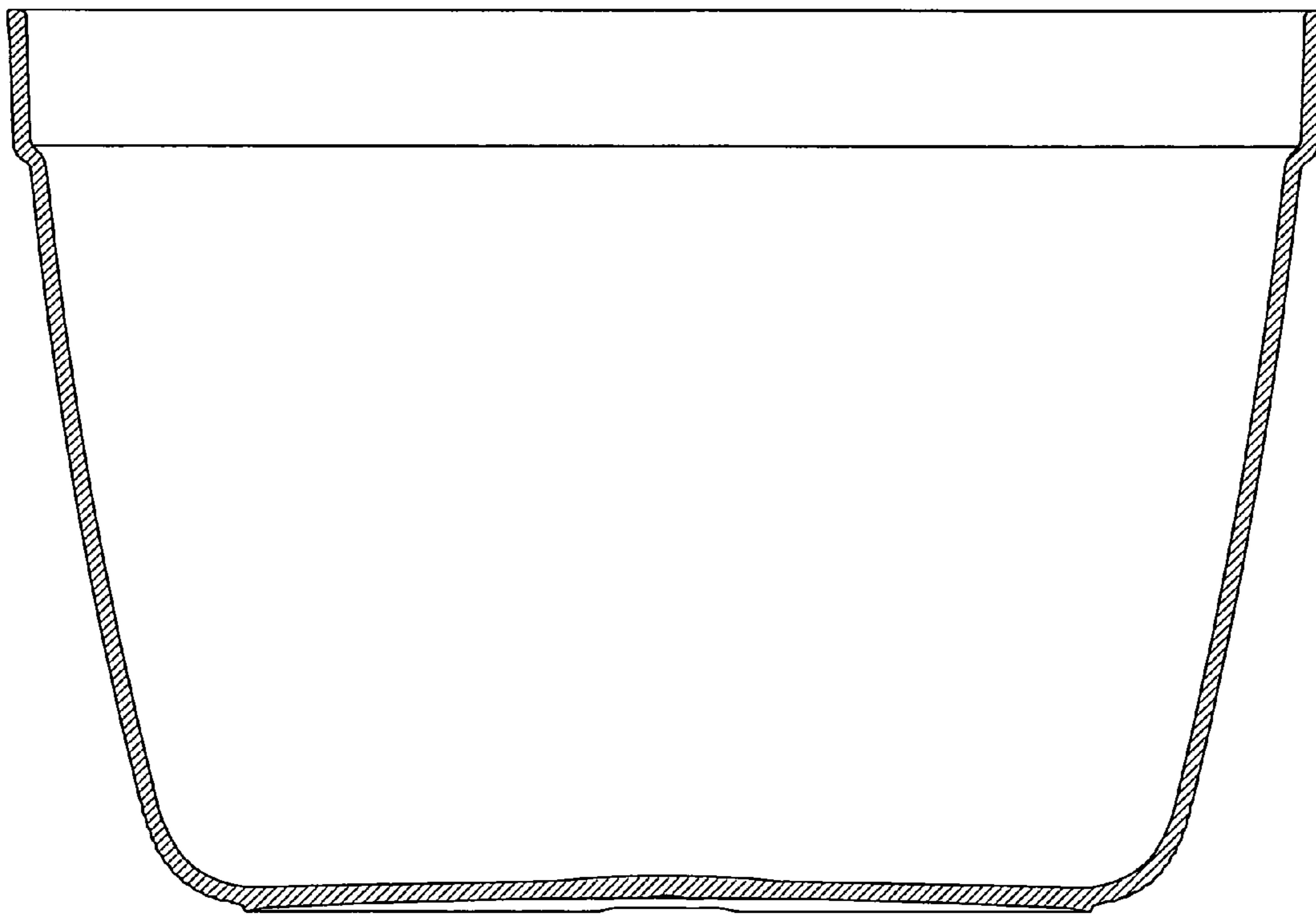


FIG. 16