



US00D708905S

(12) **United States Design Patent**  
**Wilson et al.**

(10) **Patent No.:** **US D708,905 S**  
(45) **Date of Patent:** **\*\* Jul. 15, 2014**

(54) **BOWL WITH CLIP**  
(71) Applicant: **Target Brands, Inc.**, Minneapolis, MN (US)  
(72) Inventors: **Jessica Mary Wilson**, Minneapolis, MN (US); **Mark Robert Chase**, Minneapolis, MN (US); **Sung-Ming Hsu**, Taipei (TW)

D385,462 S \* 10/1997 Ferris ..... D7/543  
D408,223 S 4/1999 Henry  
6,076,700 A 6/2000 Manges  
D432,868 S 10/2000 Tan  
6,141,034 A 10/2000 McCutchen  
D433,879 S 11/2000 Emrani  
6,394,297 B1 5/2002 Nance  
D461,102 S 8/2002 Suzuki  
D479,994 S 9/2003 Cendejas  
D548,530 S 8/2007 Dien  
D552,423 S 10/2007 Friedland et al.

(73) Assignee: **Target Brands, Inc.**, Minneapolis, MN (US)

(Continued)

(\*\*) Term: **14 Years**

**OTHER PUBLICATIONS**

(21) Appl. No.: **29/448,443**

“Dip Clips” printed from [http://progressiveintl.com/index.php/details/dip\\_clips](http://progressiveintl.com/index.php/details/dip_clips) publicly available as early as Mar. 25, 2012 per <http://web.archive.org> (2 pages).

(22) Filed: **Mar. 12, 2013**

(Continued)

(51) **LOC (10) Cl.** ..... **07-01**

(52) **U.S. Cl.**  
USPC ..... **D7/566; D7/543**

*Primary Examiner* — Eric Goodman

*Assistant Examiner* — Brett Miller

(58) **Field of Classification Search**  
USPC ..... D7/555, 557, 584–588, 601–603,  
D7/543–545, 500, 554.1, 566, 396.1,  
D7/396.2; D30/129, 130; D23/295;  
220/574, 574.1, 575

(74) *Attorney, Agent, or Firm* — Griffiths & Seaton PLLC;  
JoAnn M. Seaton

See application file for complete search history.

(57) **CLAIM**

The ornamental design for a bowl with clip, as shown and described.

**DESCRIPTION**

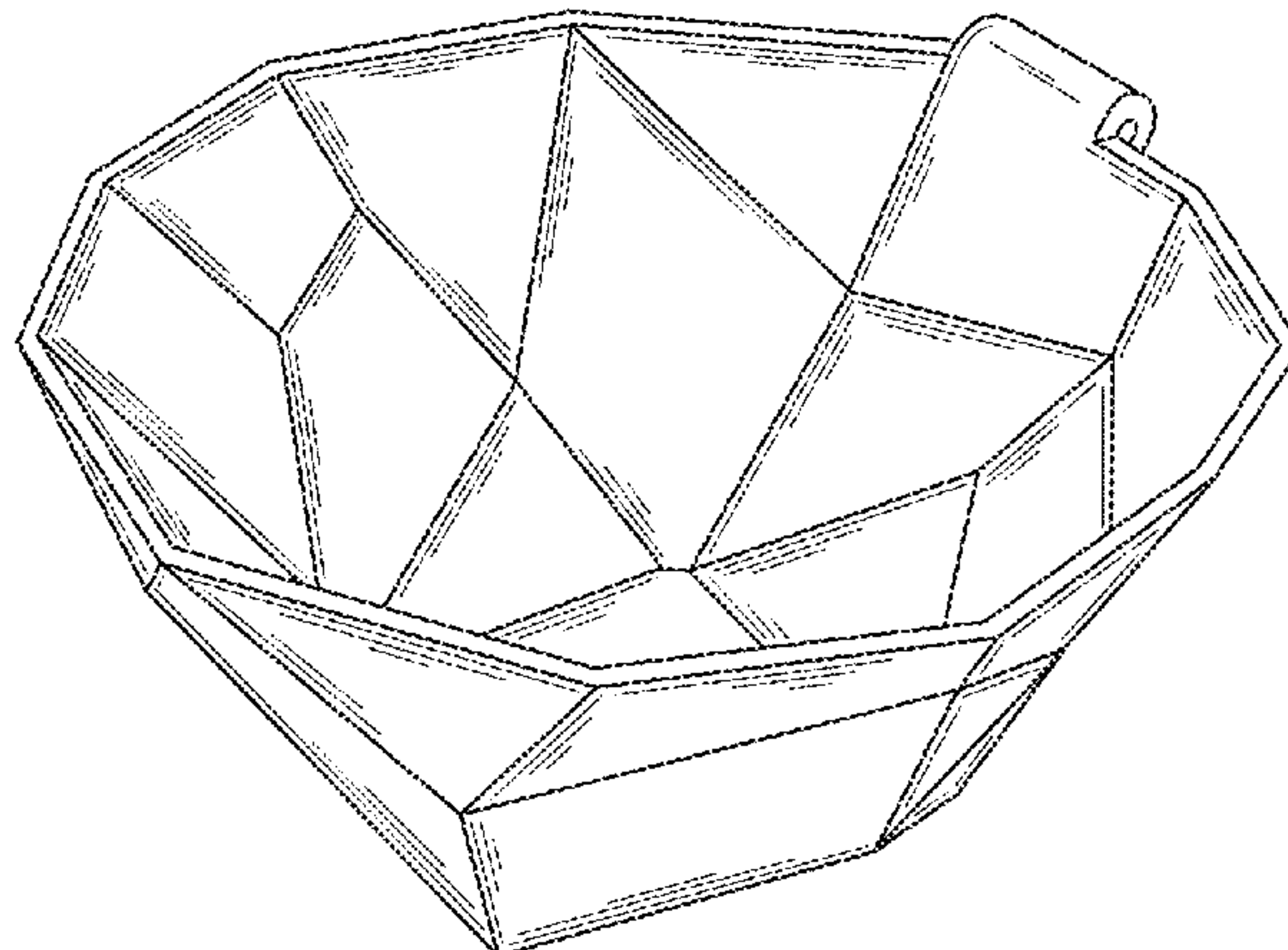
(56) **References Cited**

**U.S. PATENT DOCUMENTS**

D49,908 S 11/1916 Parsons  
D67,095 S 4/1925 Oldham  
D74,881 S \* 4/1928 Haley ..... D7/566  
2,085,238 A 6/1937 Towell  
D110,175 S \* 6/1938 Donchian ..... D7/554.1  
D110,176 S 6/1938 Donchian  
D275,064 S \* 8/1984 Todd ..... D7/691  
D330,309 S 10/1992 Minuti  
D338,809 S 8/1993 Bennett  
D348,803 S \* 7/1994 Aronson ..... D7/544  
D384,862 S 10/1997 Hayes et al.

FIG. 1 is a front, perspective view of a bowl with clip showing our new design;  
FIG. 2 is a front view thereof;  
FIG. 3 is a rear view thereof;  
FIG. 4 is a right side view thereof;  
FIG. 5 is a left side view thereof;  
FIG. 6 is a top view thereof; and,  
FIG. 7 is a bottom view thereof.  
The feature shown in broken lines is a portion of the bowl with clip forming no part of the claimed design.

**1 Claim, 4 Drawing Sheets**



(56)

**References Cited**

U.S. PATENT DOCUMENTS

D569,186 S	5/2008	Dickinson	
D578,414 S *	10/2008	Owen .....	D7/586
D578,829 S	10/2008	Freeman	
D613,837 S	4/2010	Slothower et al.	
D651,469 S	1/2012	Myoung et al.	
D673,813 S	1/2013	Abel et al.	
D690,996 S *	10/2013	Abel et al. ....	D7/554.3
D693,181 S *	11/2013	Chase .....	D7/586
2001/0015399 A1	8/2001	LaMotte	
2009/0090710 A1	4/2009	Nielsen	
2010/0326851 A1	12/2010	Mangin et al.	
2012/0199597 A1	8/2012	Myoung et al.	

OTHER PUBLICATIONS

“Dip Clip—Clip on Chip & Dip Bowl”, printed from [www.geekalerts.com/dip-clip-clip-on-chip-dip-bowl/](http://www.geekalerts.com/dip-clip-clip-on-chip-dip-bowl/) publicly available as early as May 16, 2012 per <http://web.archive.org> (6 pages).

“Tasto Chip and Dip Set”, available at least as early as Sep. 27, 2012 from [www.momastore.org/museum/moma/ProductDisplay\\_Tasto+Chip+and+Dip+Set\\_10451\\_10001\\_63569\\_-1\\_26715\\_11507\\_63572](http://www.momastore.org/museum/moma/ProductDisplay_Tasto+Chip+and+Dip+Set_10451_10001_63569_-1_26715_11507_63572) (3 pages).

“Crushed Bowls” publicly available since 2007 as pictured at <http://jdsa.eu/muu/> (3 pages).

“Orloff Bowl by Patricia Urquiola,” printed from [www.ihgiftstore.com/product\\_page.php?product\\_id=4807&cPath=200&affiliate\\_id=TTL289RGZBEAU6B8FYWH](http://www.ihgiftstore.com/product_page.php?product_id=4807&cPath=200&affiliate_id=TTL289RGZBEAU6B8FYWH), on Jan. 24, 2012 (1 page).

“For the Love of Bucky Fuller,” <http://greenowlster.blogspot.com/2012/12/viva-buckminster-fuller.html>, published Dec. 17, 2010 (4 pages).

Labbe, Renee, “Shaping Up,” [www.voiceofcolor.com/en/exchange/the\\_voice/renee\\_labbe\\_september.asp](http://www.voiceofcolor.com/en/exchange/the_voice/renee_labbe_september.asp), published Sep. 2006 (5 pages).

“Unconventional Concave Containers,” printed from [www.trendhunter.com/trends/geodesic-bowl](http://www.trendhunter.com/trends/geodesic-bowl), on Jan. 24, 2012 (4 pages).

“100% Design Hidden Art,” printed from [www.100percentdesign.co.uk/page.cfm/Action=ExhibID=1934](http://www.100percentdesign.co.uk/page.cfm/Action=ExhibID=1934), on Jan. 24, 2012 (5 pages).

\* cited by examiner

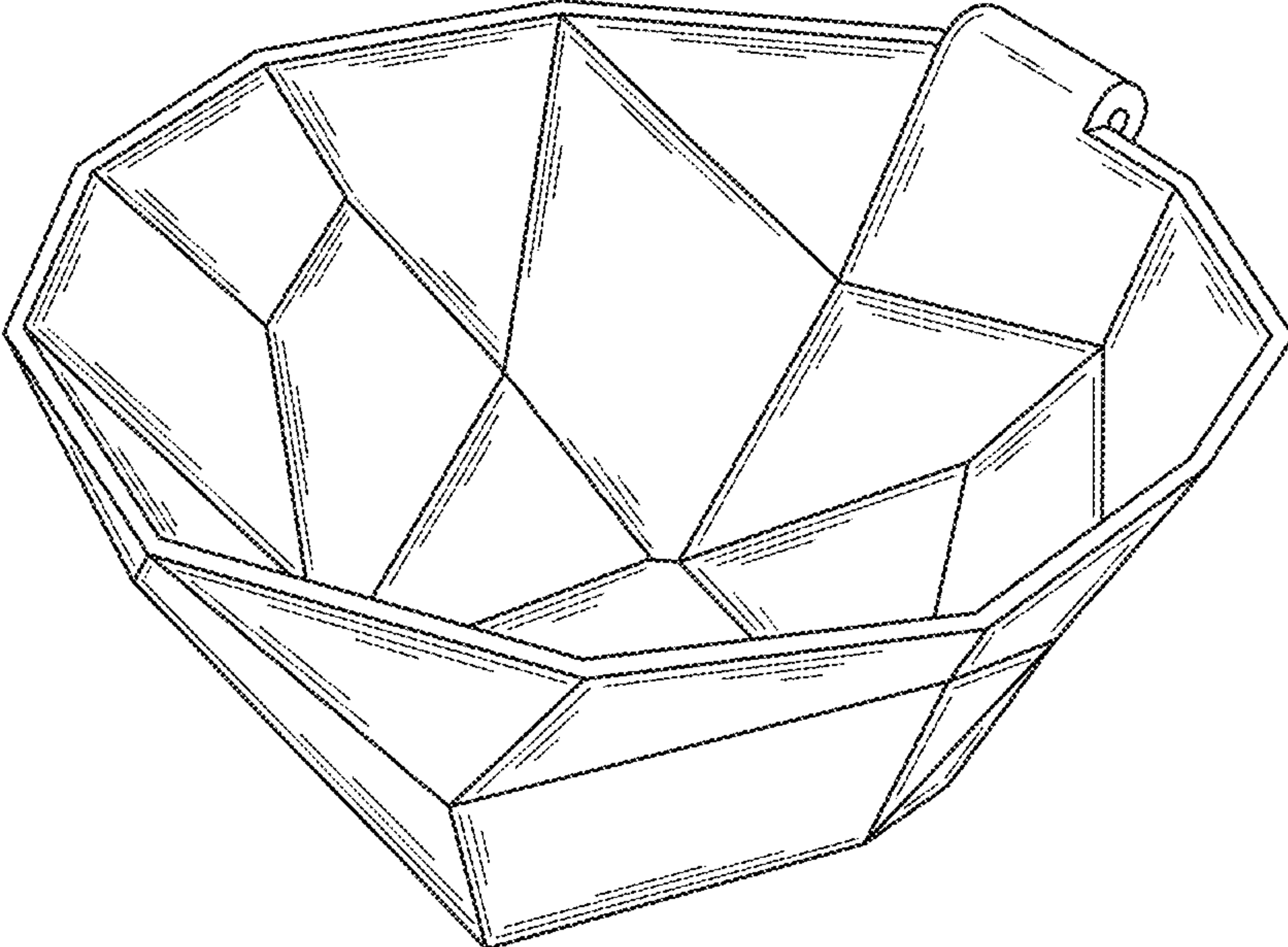


FIG. 1

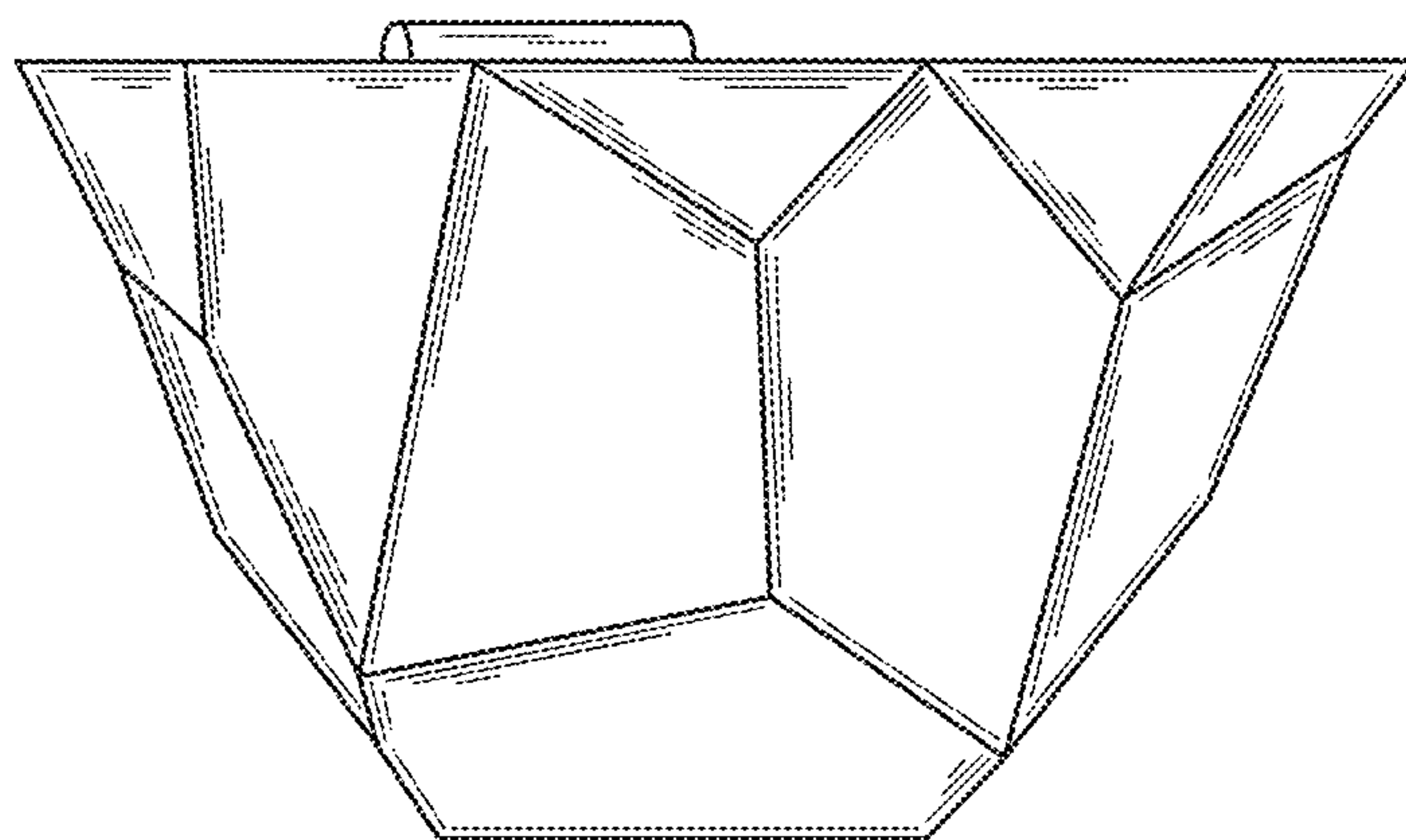


FIG. 2

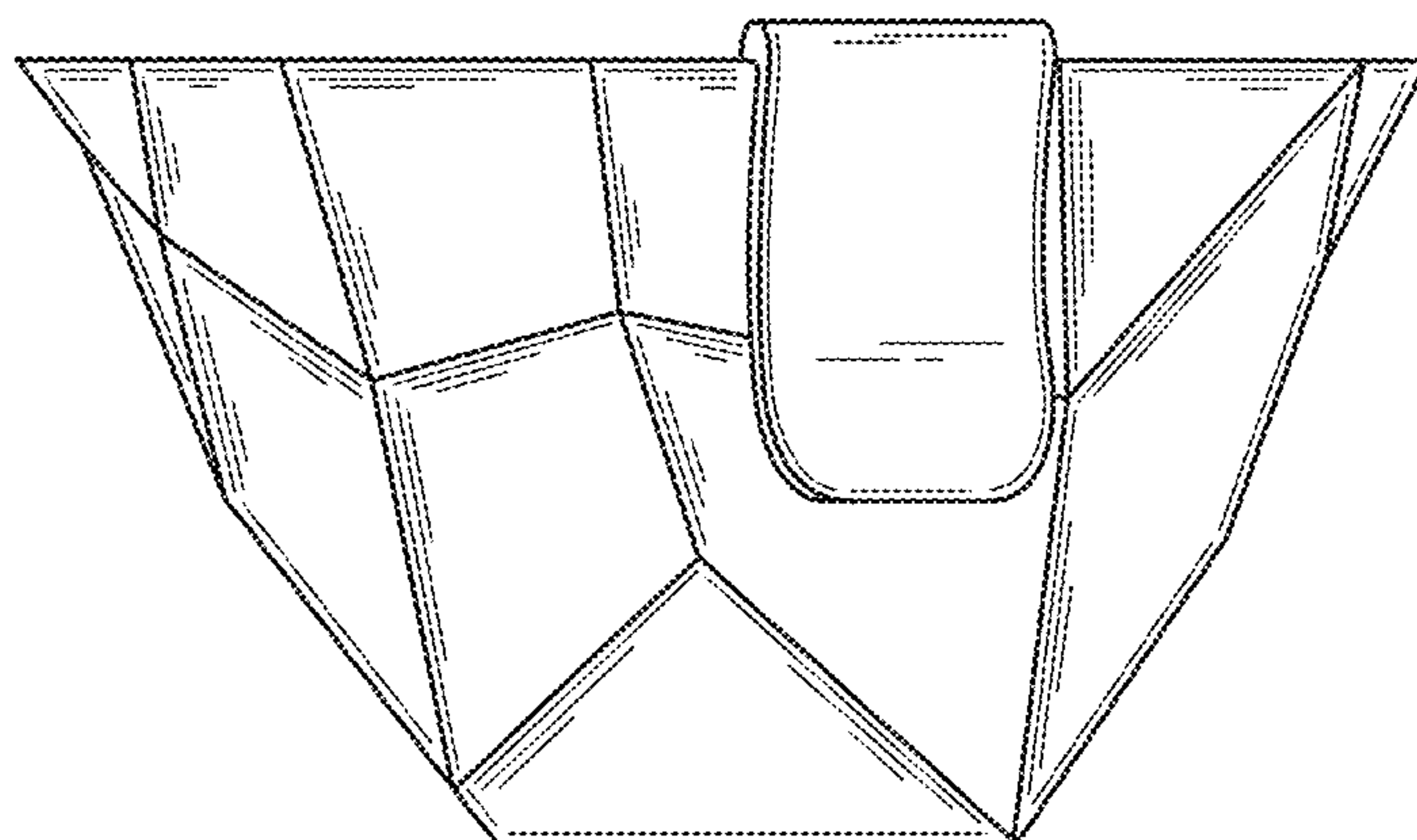


FIG. 3



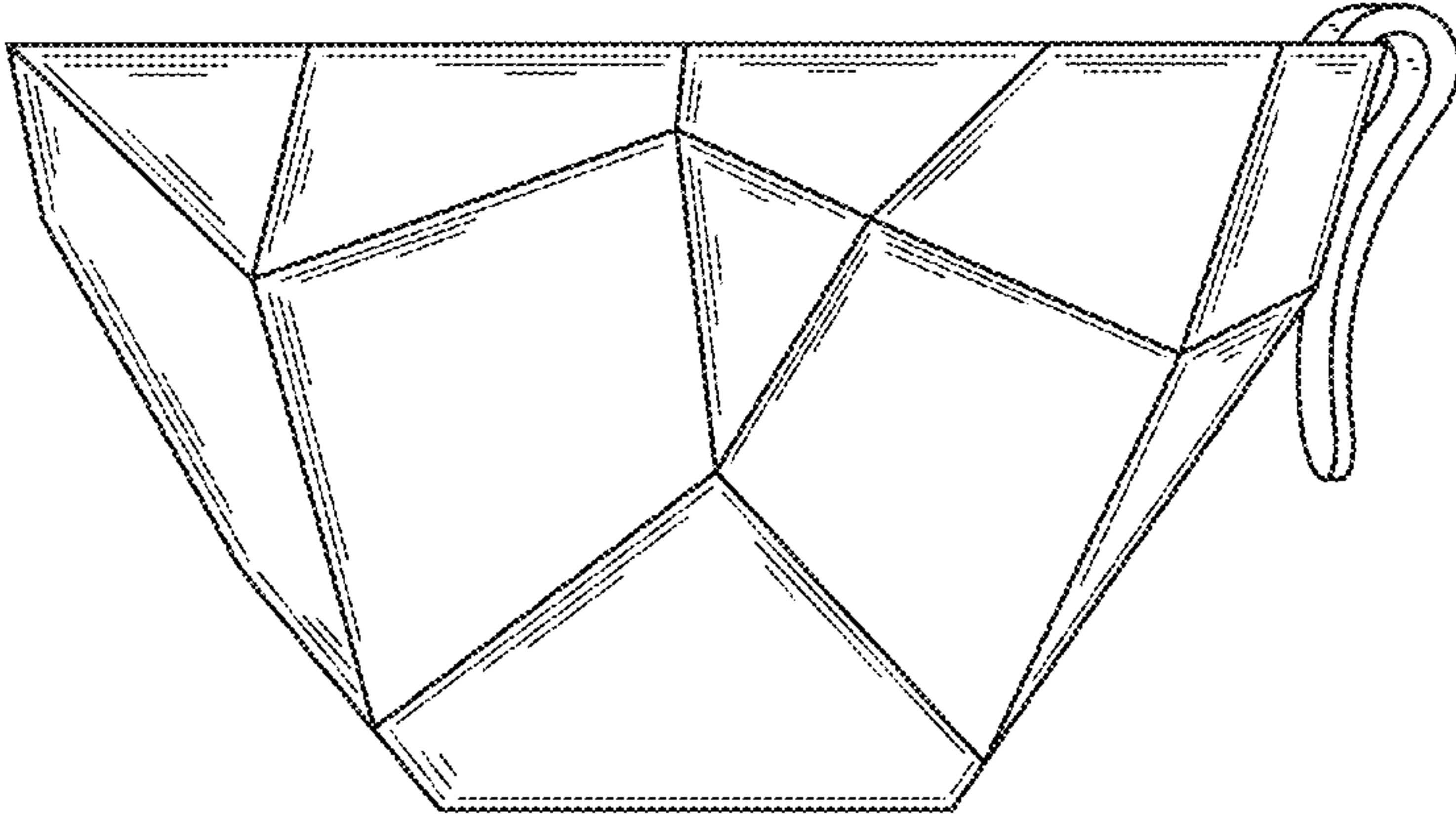


FIG. 4

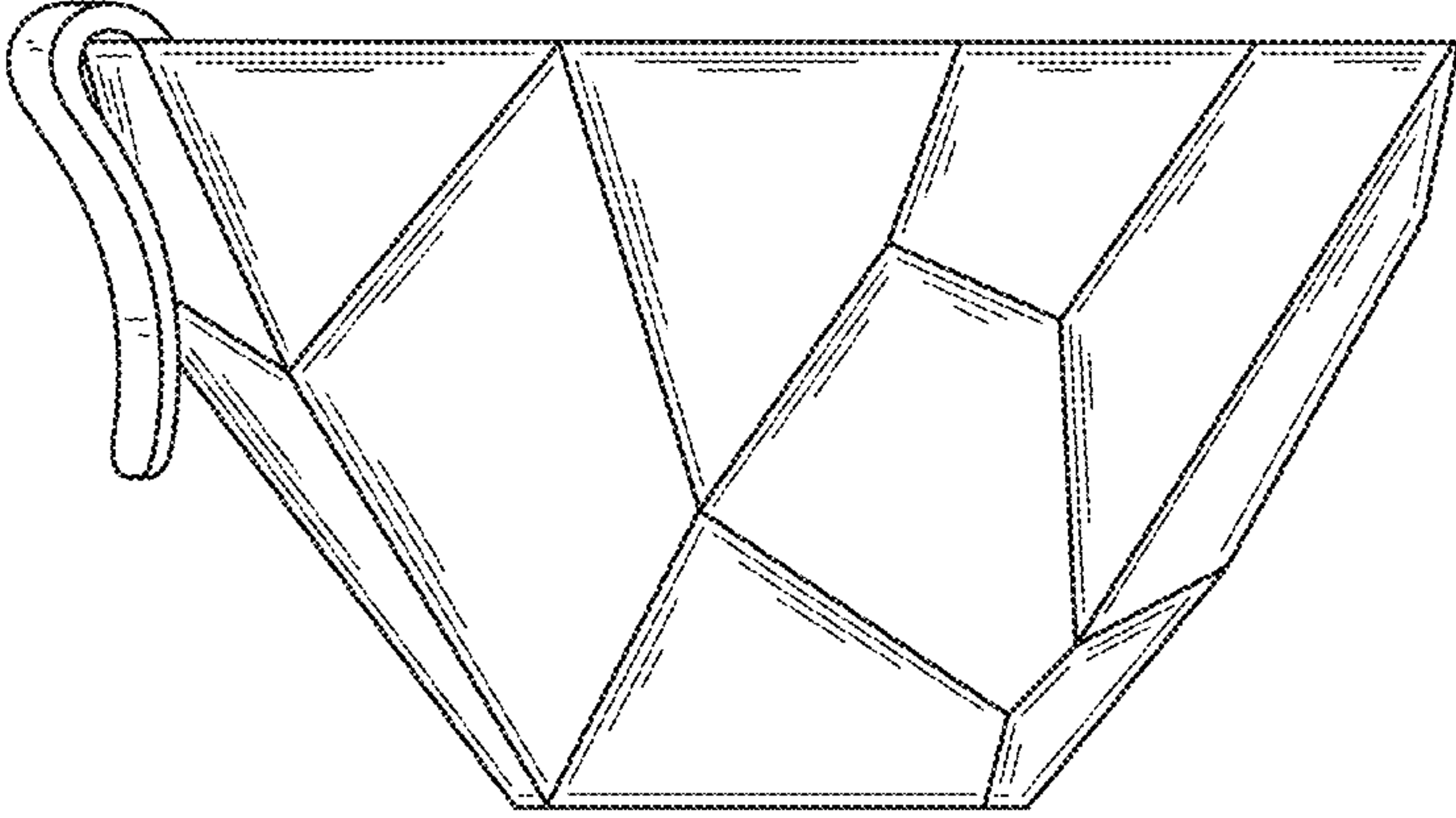


FIG. 5

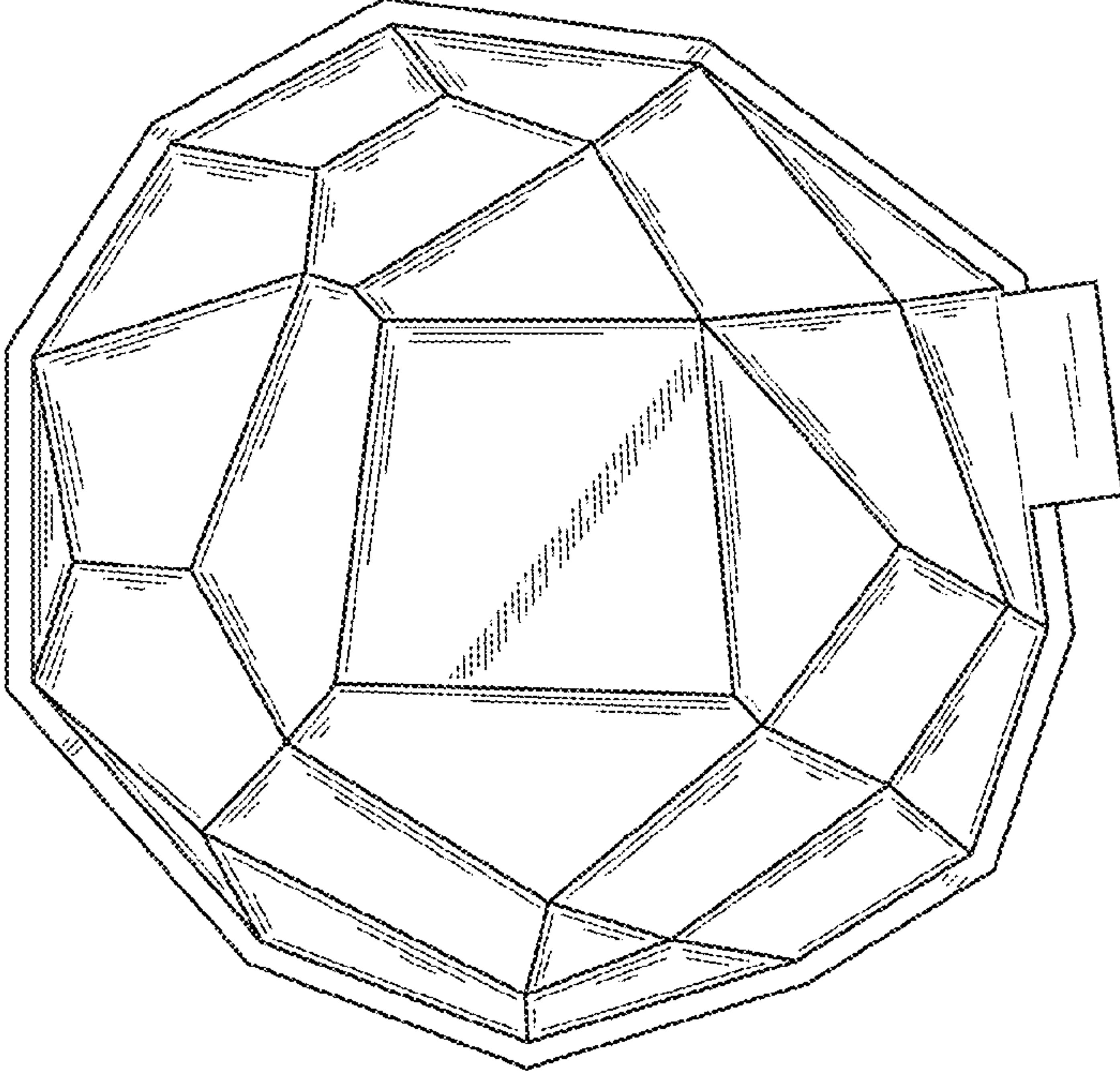


FIG. 6

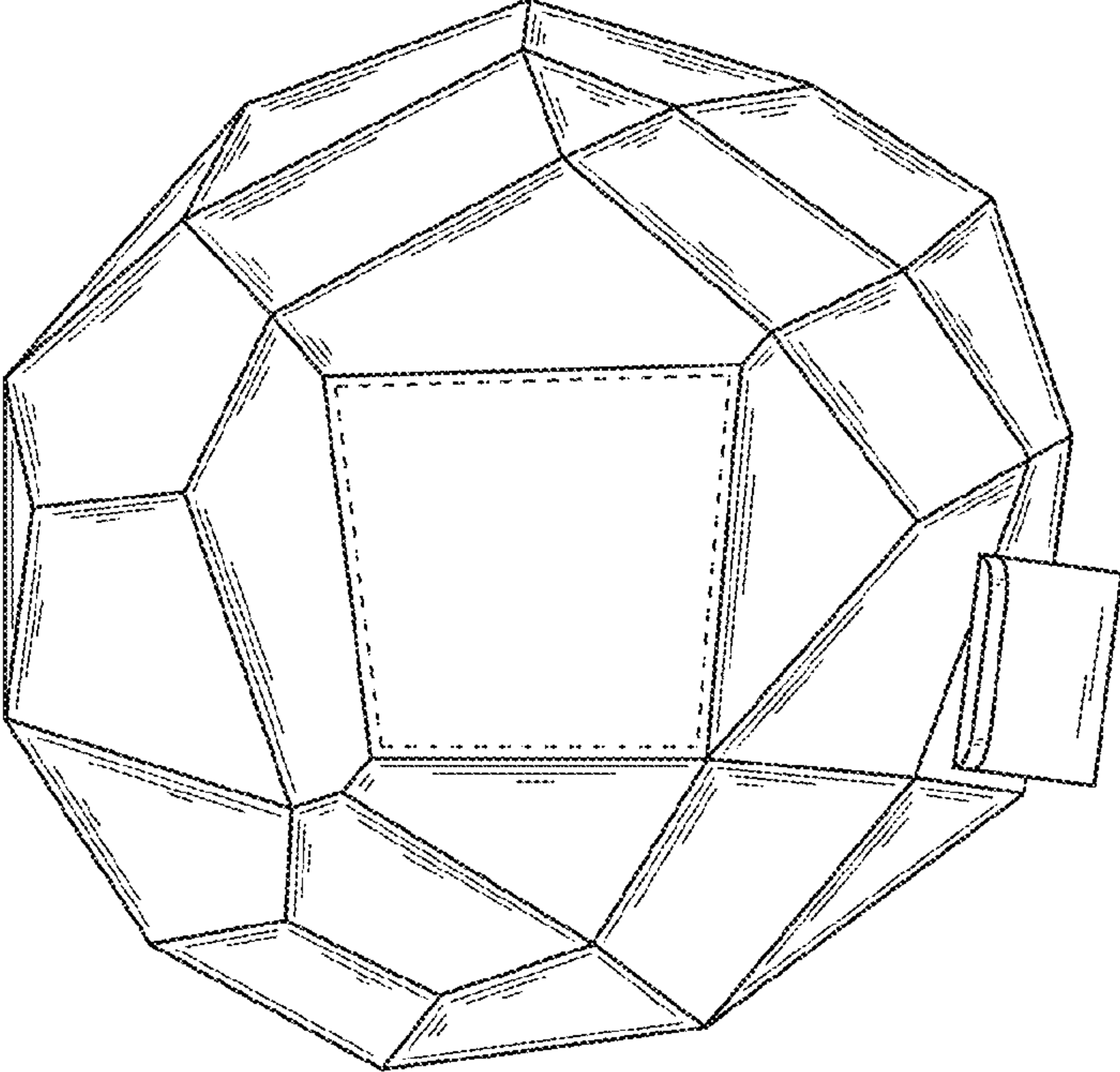


FIG. 7