



US00D708904S

(12) **United States Design Patent**
Coyle

(10) **Patent No.:** **US D708,904 S**
(45) **Date of Patent:** **** Jul. 15, 2014**

(54) **MULTIPURPOSE PLATE**

(71) Applicant: **George J. Coyle**, Branford, CT (US)

(72) Inventor: **George J. Coyle**, Branford, CT (US)

(**) Term: **14 Years**

(21) Appl. No.: **29/458,818**

(22) Filed: **Jun. 24, 2013**

(51) **LOC (10) Cl.** **07-01**

(52) **U.S. Cl.**
USPC **D7/551.3; D7/544; D7/575**

(58) **Field of Classification Search**
CPC B65D 1/24; B65D 55/14; A47G 19/22
USPC D7/553.8, 544, 556; D9/607; 220/574,
220/575
See application file for complete search history.

(56) **References Cited**

U.S. PATENT DOCUMENTS

D159,643 S *	8/1950	Kelley et al.	D7/506
D218,843 S *	9/1970	Smith	D7/544
D227,230 S *	6/1973	Stamper	D9/606
D351,316 S *	10/1994	Mann	D7/556
D358,739 S *	5/1995	Brown et al.	D7/544
D384,248 S *	9/1997	Cooley	D7/569
D473,427 S *	4/2003	Kleckauskas et al.	D7/555
7,337,943 B2 *	3/2008	Johns et al.	229/406

D586,527 S * 2/2009 Perkins D1/105
D672,201 S * 12/2012 Jowett D7/551.3
2010/0064899 A1* 3/2010 Aardenburg 99/295

* cited by examiner

Primary Examiner — Marianne Pandozzi

(74) *Attorney, Agent, or Firm* — DeLio, Peterson & Curcio, LLC

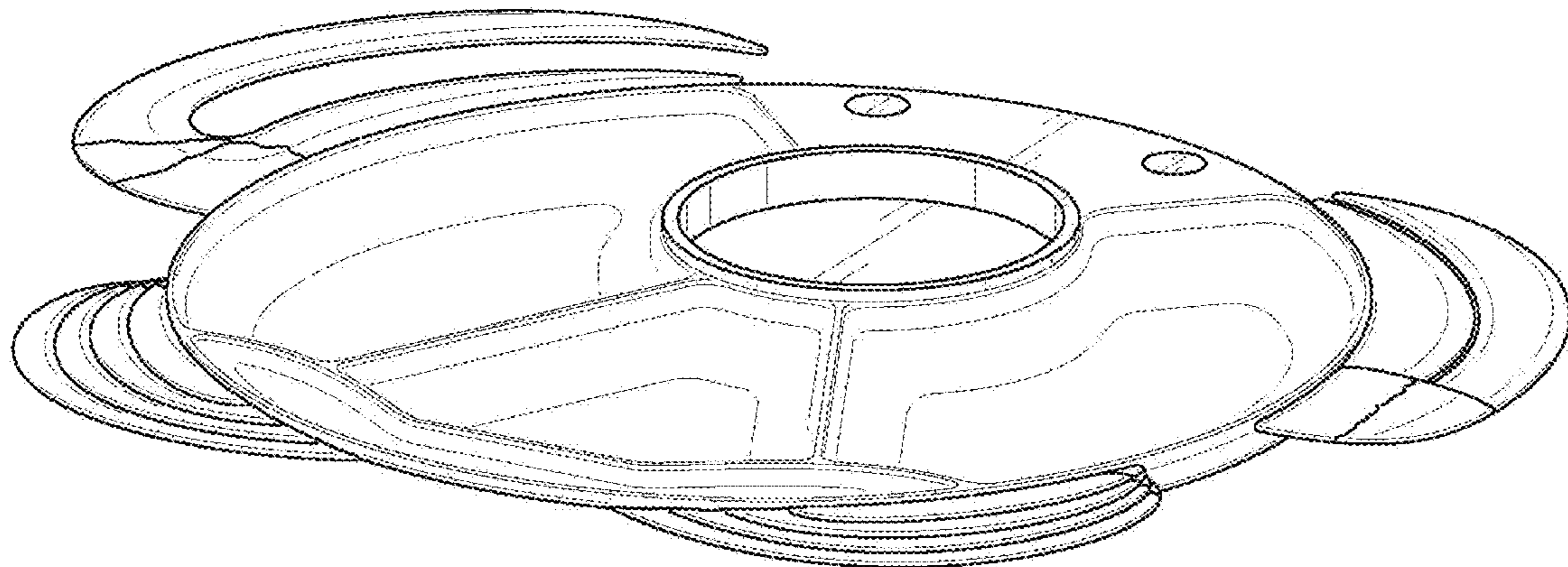
(57) **CLAIM**

The ornamental design for a “multipurpose plate,” as shown and described.

DESCRIPTION

FIG. 1 is a front perspective view of a “multipurpose plate” showing my new design;
FIG. 2 is a front view thereof;
FIG. 3 is a rear view thereof;
FIG. 4 is a left side view thereof;
FIG. 5 is a right side view thereof;
FIG. 6 is a top side view thereof;
FIG. 7 is a bottom side view thereof;
FIG. 8 is a front view thereof; and,
FIG. 9 is a front perspective view of a multipurpose plate showing a second embodiment of my new design.
In FIGS. 1-9, the broken lines are included for the purpose of illustrating environment and form no part of the claimed design.

1 Claim, 7 Drawing Sheets



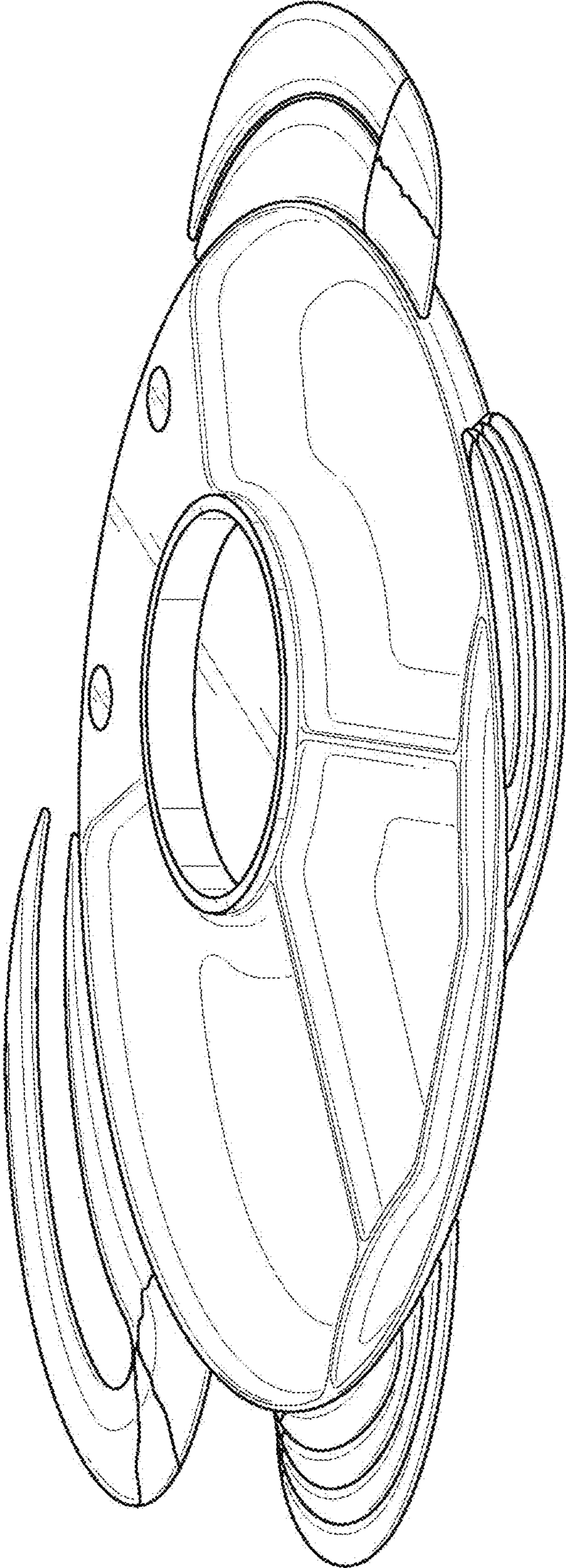


FIG. 1

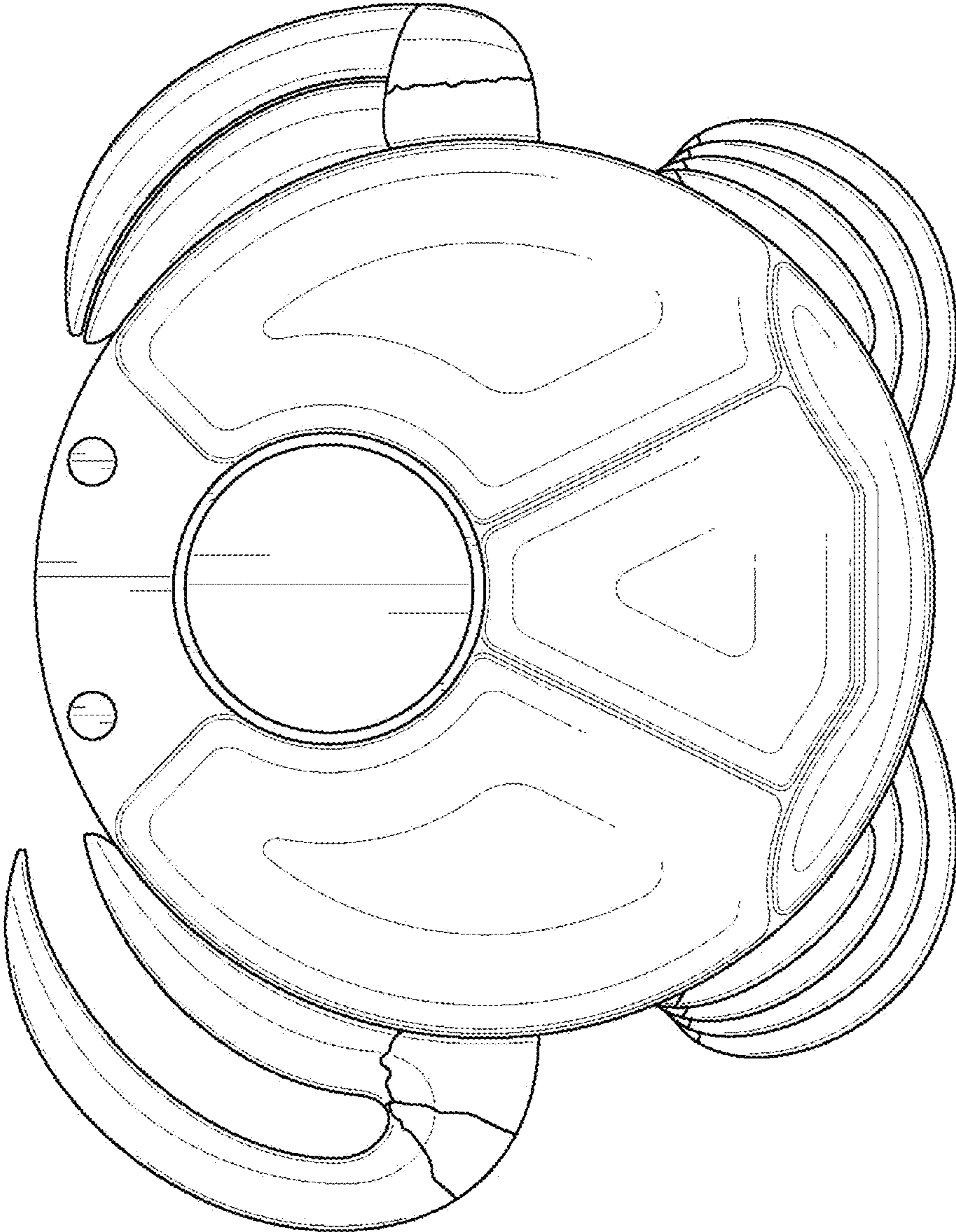


FIG. 2

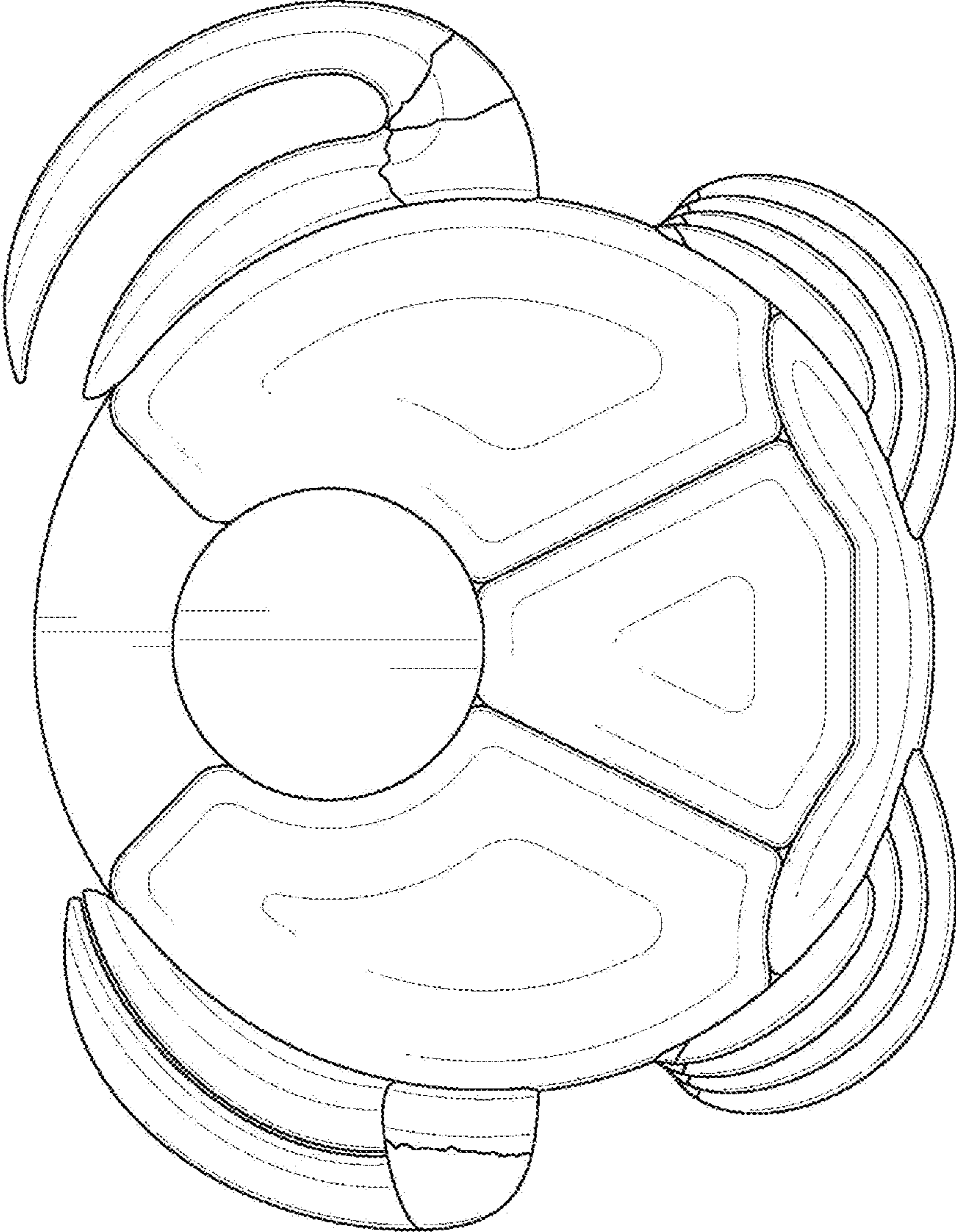


FIG. 3

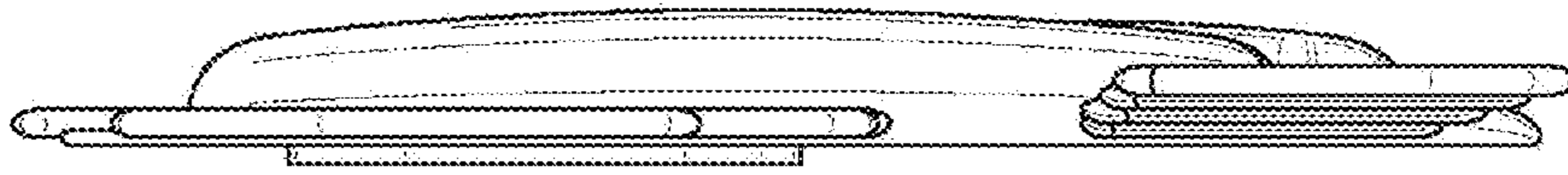


FIG. 5

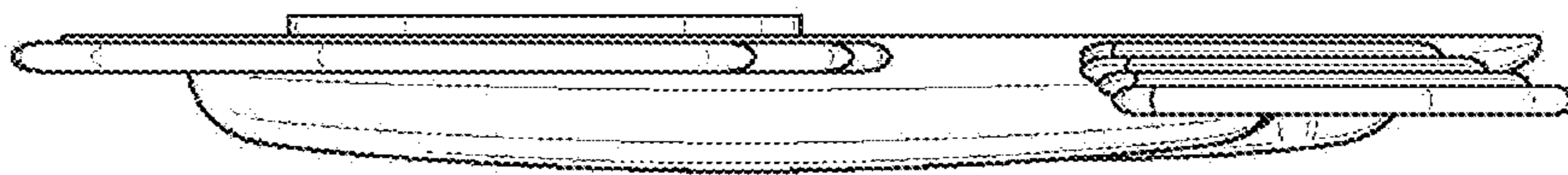


FIG. 4

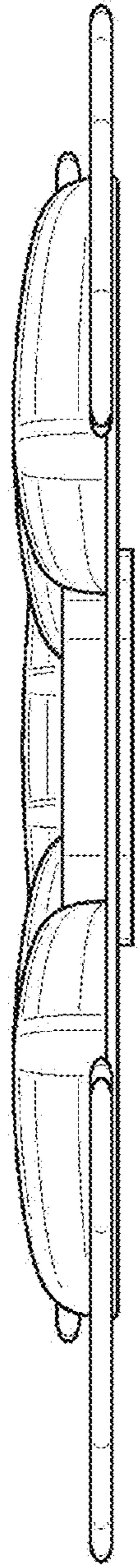


FIG. 6

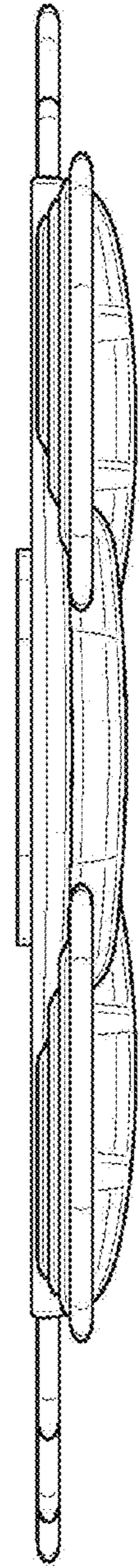


FIG. 7

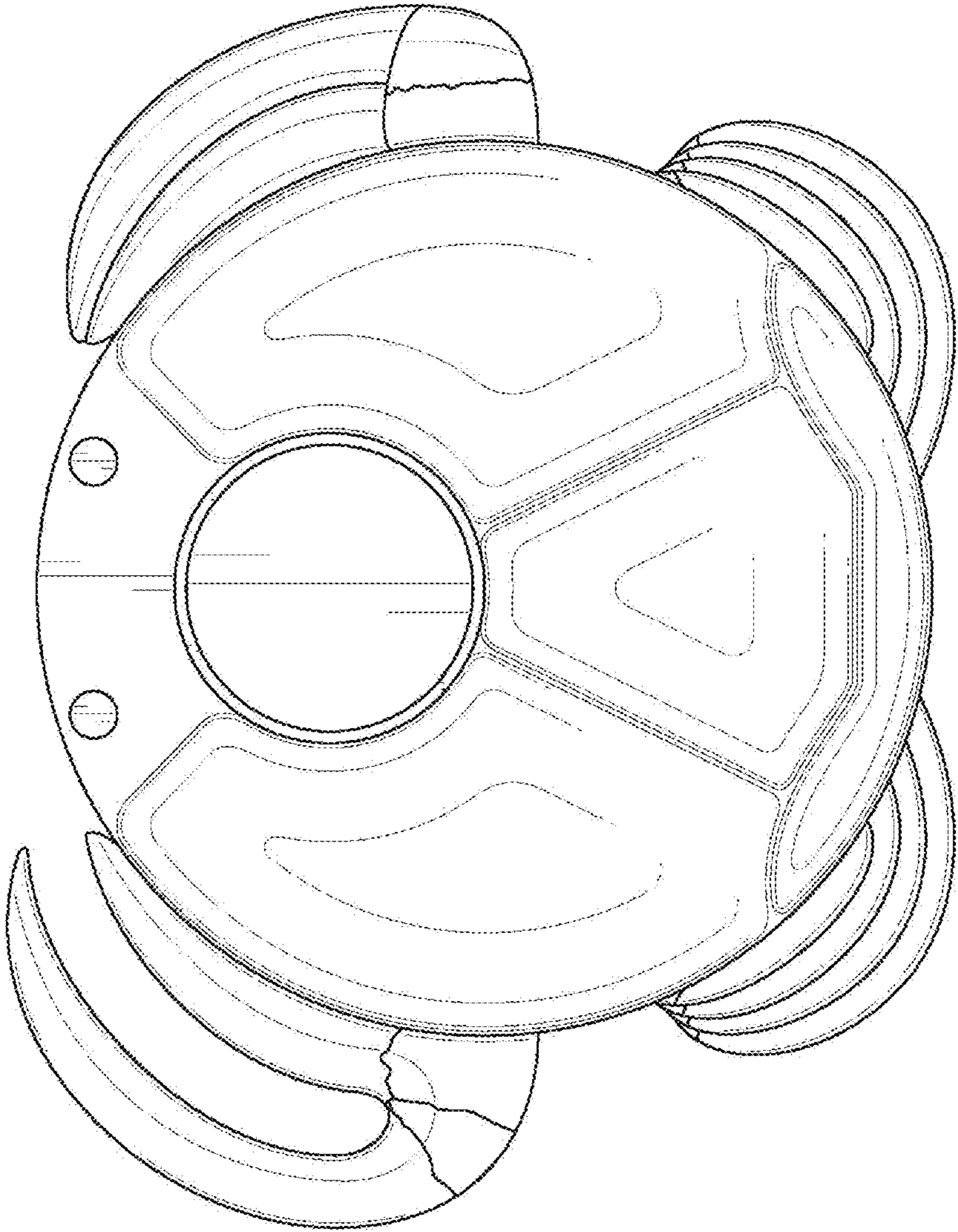


FIG. 8

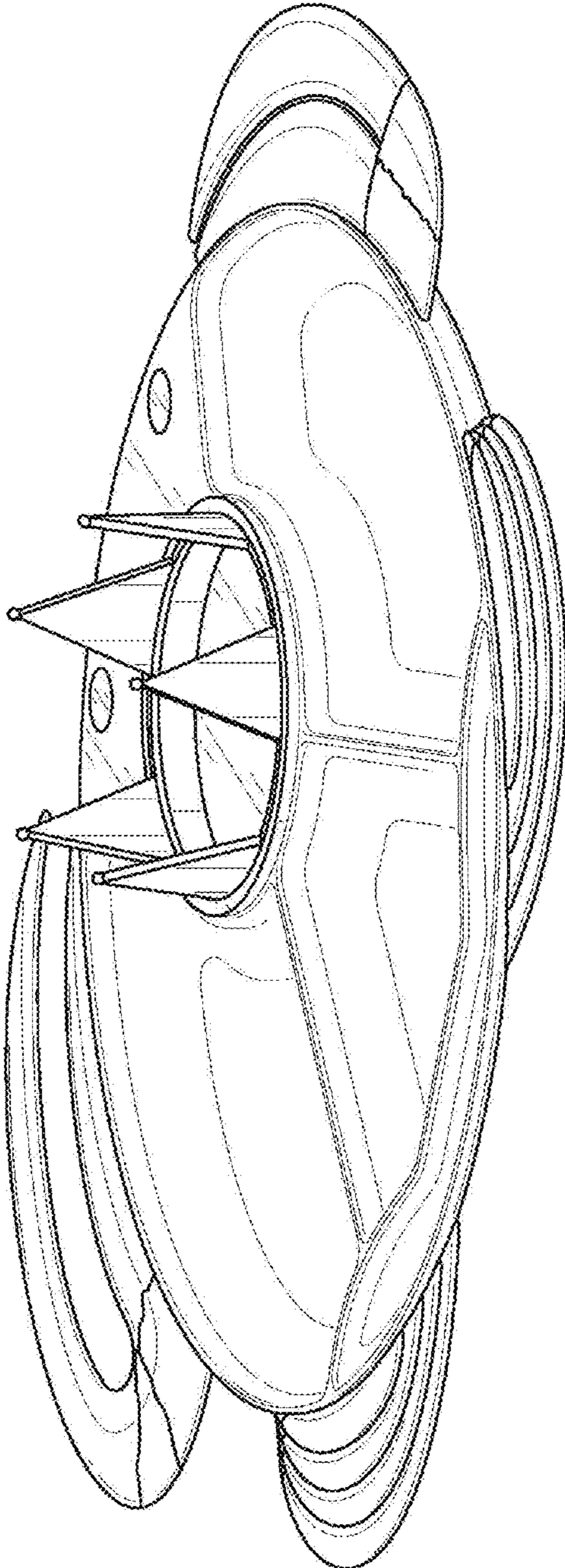


FIG. 9