



US00D708903S

(12) **United States Design Patent**
Wong

(10) **Patent No.:** **US D708,903 S**

(45) **Date of Patent:** **** Jul. 15, 2014**

(54) **CONTAINER ENCLOSING MINI CHOPPER**

(71) Applicant: **Yan Kwong Wong**, Kowloon (HK)

(72) Inventor: **Yan Kwong Wong**, Kowloon (HK)

(**) Term: **14 Years**

(21) Appl. No.: **29/450,903**

(22) Filed: **Mar. 26, 2013**

(51) **LOC (10) Cl.** **31-00**

(52) **U.S. Cl.**
USPC **D7/413; D7/378; D7/412**

(58) **Field of Classification Search**
CPC A21C 1/02; A21C 1/04; A23N 1/00;
A23N 1/02; A47J 43/04; A47J 43/24; A47J
43/25; A47J 43/27; A47J 43/042; A47J
43/044; A47J 43/046; A47J 43/075; A47J
43/0722; A47J 43/0727; B01F 3/00; B01F
3/0807; B01F 3/0853; B01F 13/0059; B01F
13/0064; B02C 1/08; B02C 2/04; B02C 4/42;
B02C 4/142; B02C 4/143; B02C 4/423;
B02C 13/1835; B28C 5/10; B28C 5/12;
B28C 5/14; B28C 5/16
USPC D7/372, 376-386, 412-413, 602, 629,
D7/665-666, 679, 693; 99/495, 509-511;
241/98, 101.01-101.2, 166-169.1,
241/274-278.2, 285.1-285.3, 291, 292.1;
366/64-65, 97-98, 100, 197-201,
366/205-207, 219-220, 341-343
See application file for complete search history.

(56) **References Cited**

U.S. PATENT DOCUMENTS

5,865,109 A * 2/1999 Bull 99/495
D413,761 S * 9/1999 Conran et al. D7/384

D508,188 S * 8/2005 Zettle et al. D7/629
D527,588 S * 9/2006 de Groote et al. D7/693
D538,606 S * 3/2007 Hood D7/665
D567,017 S * 4/2008 Garman et al. D7/384
D575,099 S * 8/2008 Jalet D7/376
7,621,213 B2 * 11/2009 Wong 99/495
D609,981 S * 2/2010 Jossem et al. D7/665
D614,457 S * 4/2010 Jossem et al. D7/679
D630,912 S * 1/2011 Wong D7/693
D672,617 S * 12/2012 Stamper et al. D7/602
D673,006 S * 12/2012 Kent D7/372

* cited by examiner

Primary Examiner — Ricky Pham

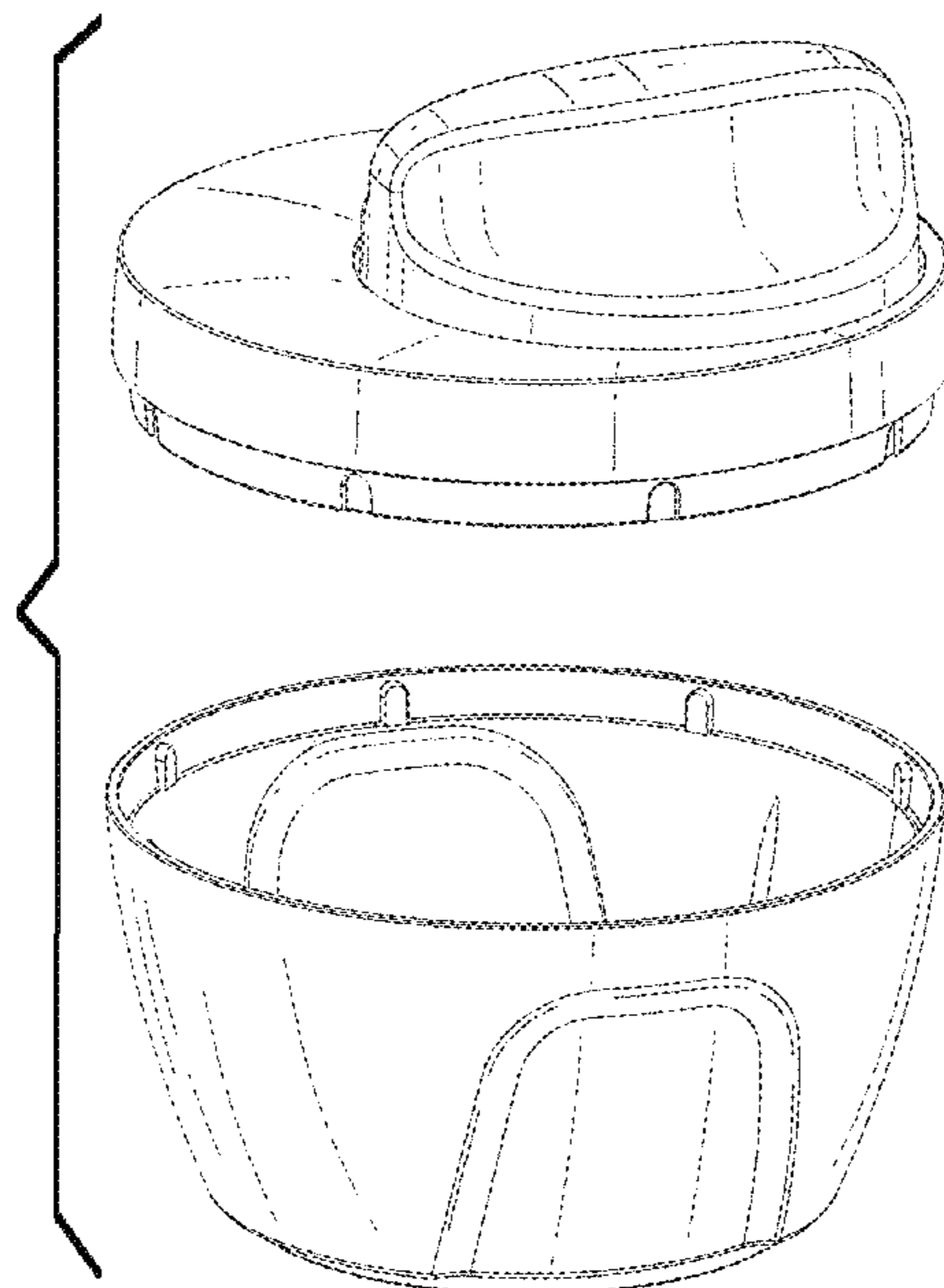
(57) **CLAIM**

The ornamental design for a container enclosing mini chop-
per, as shown and described.

DESCRIPTION

FIG. 1 is a front view of a container enclosing mini chopper of
my new design;
FIG. 2 is a rear view of the container enclosing mini chopper
thereof;
FIG. 3 is a top view of the container enclosing mini chopper
thereof;
FIG. 4 is a bottom view of the container enclosing mini
chopper thereof;
FIG. 5 is a left side view of the container enclosing mini
chopper thereof;
FIG. 6 is a right side view of the container enclosing mini
chopper thereof;
FIG. 7 is a top perspective view of the container enclosing
mini chopper thereof; and,
FIG. 8 is an exploded view of the container enclosing mini
chopper thereof.

1 Claim, 8 Drawing Sheets



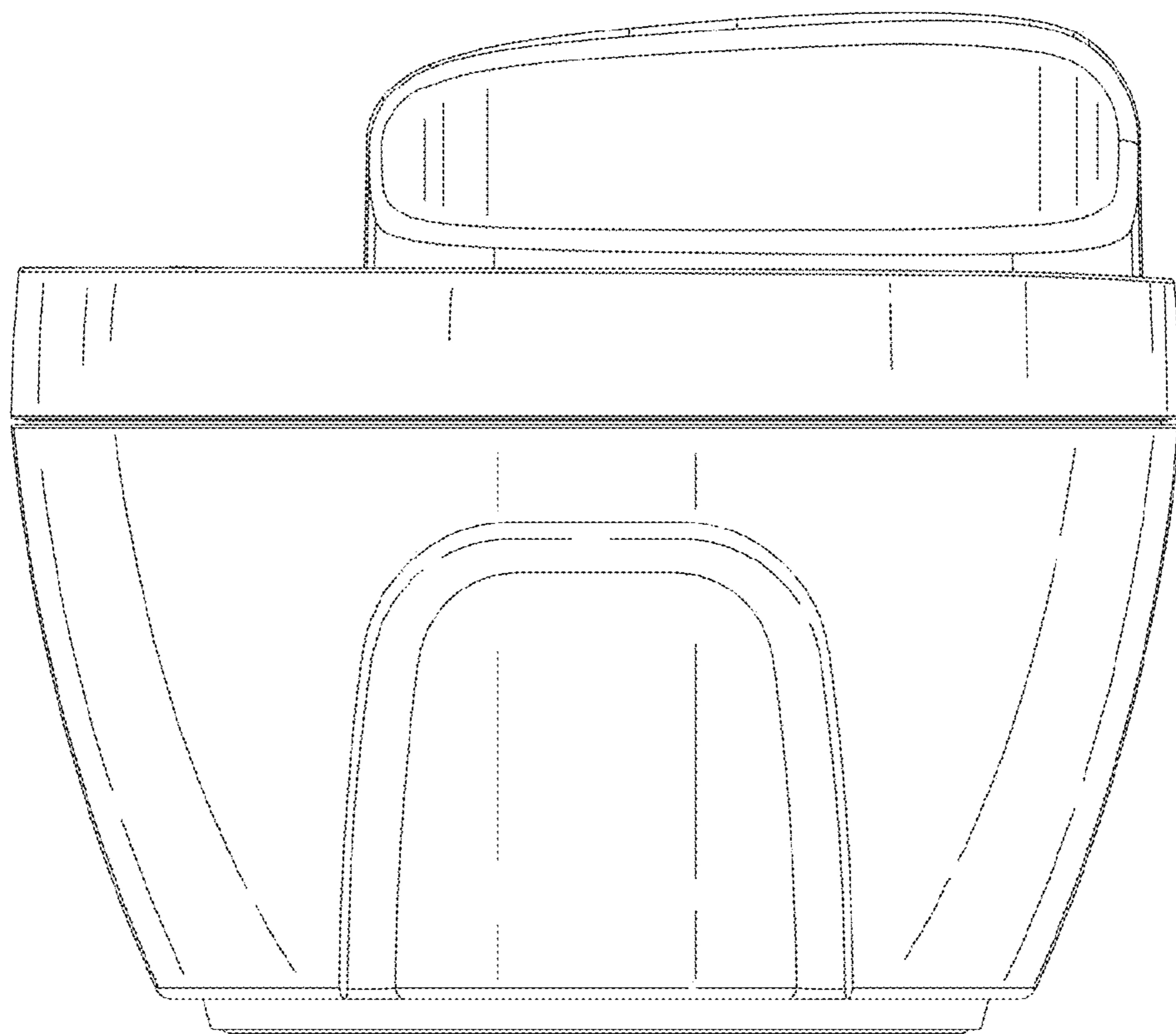


Fig. 1

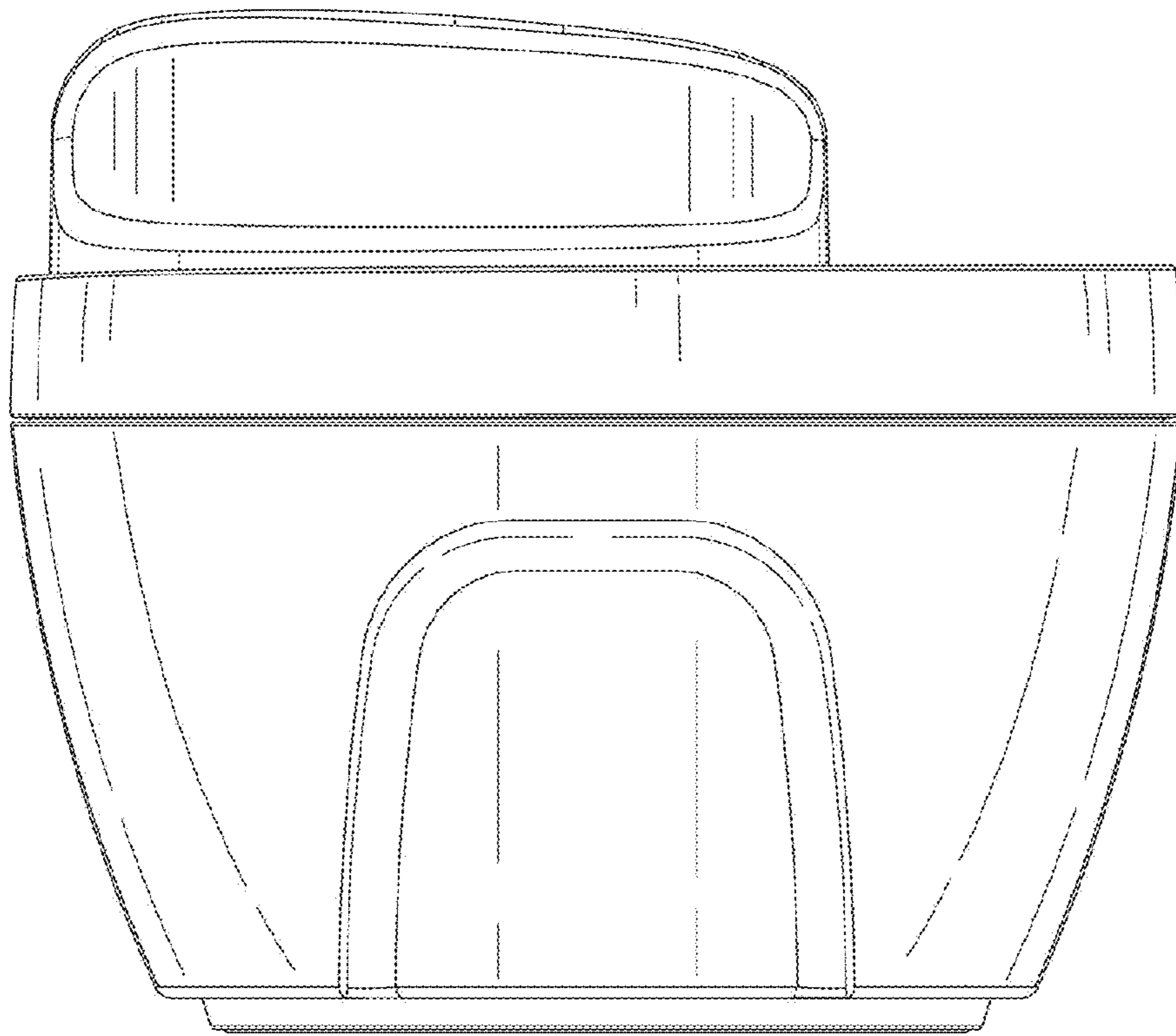


Fig. 2

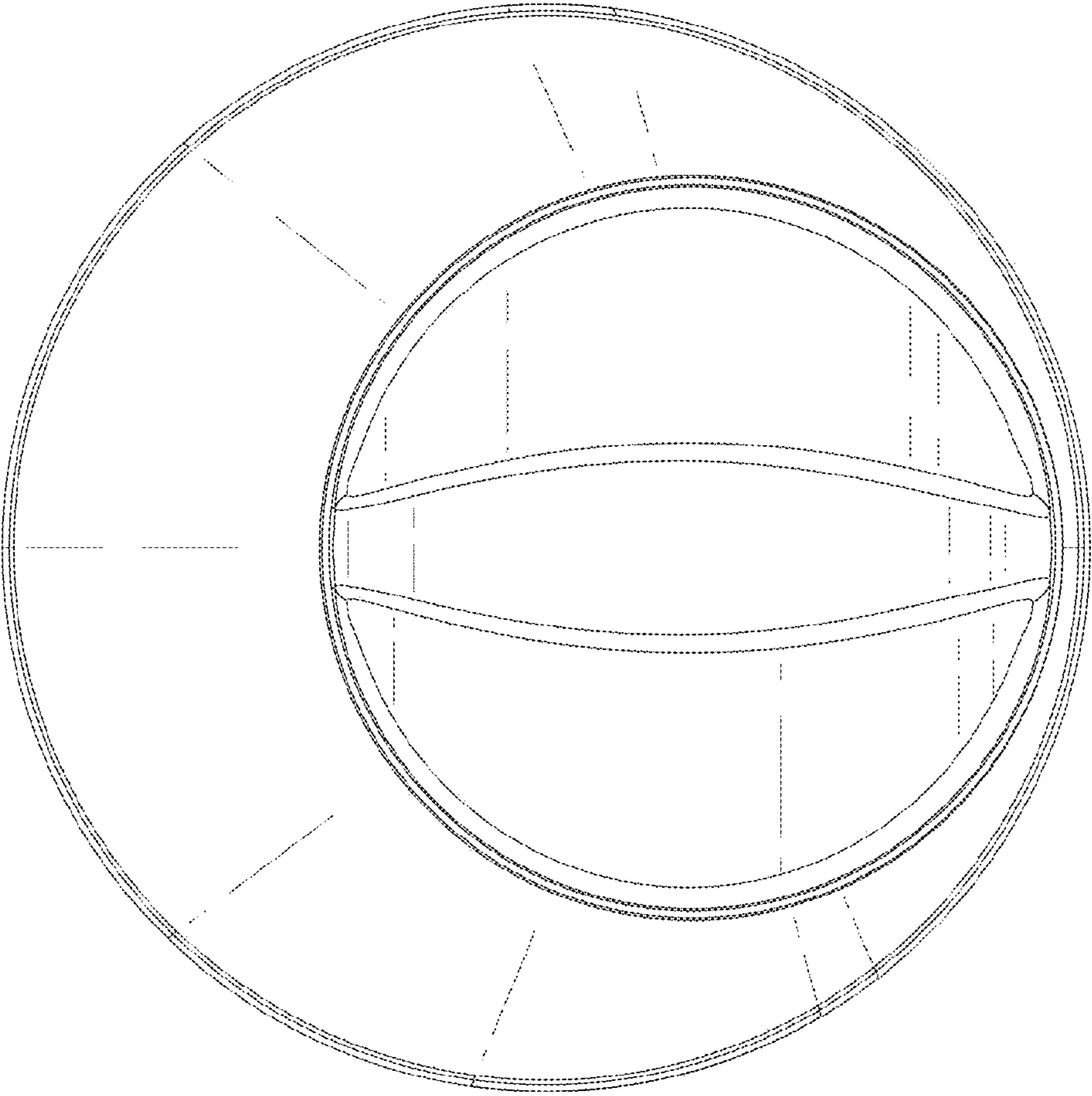


Fig. 3

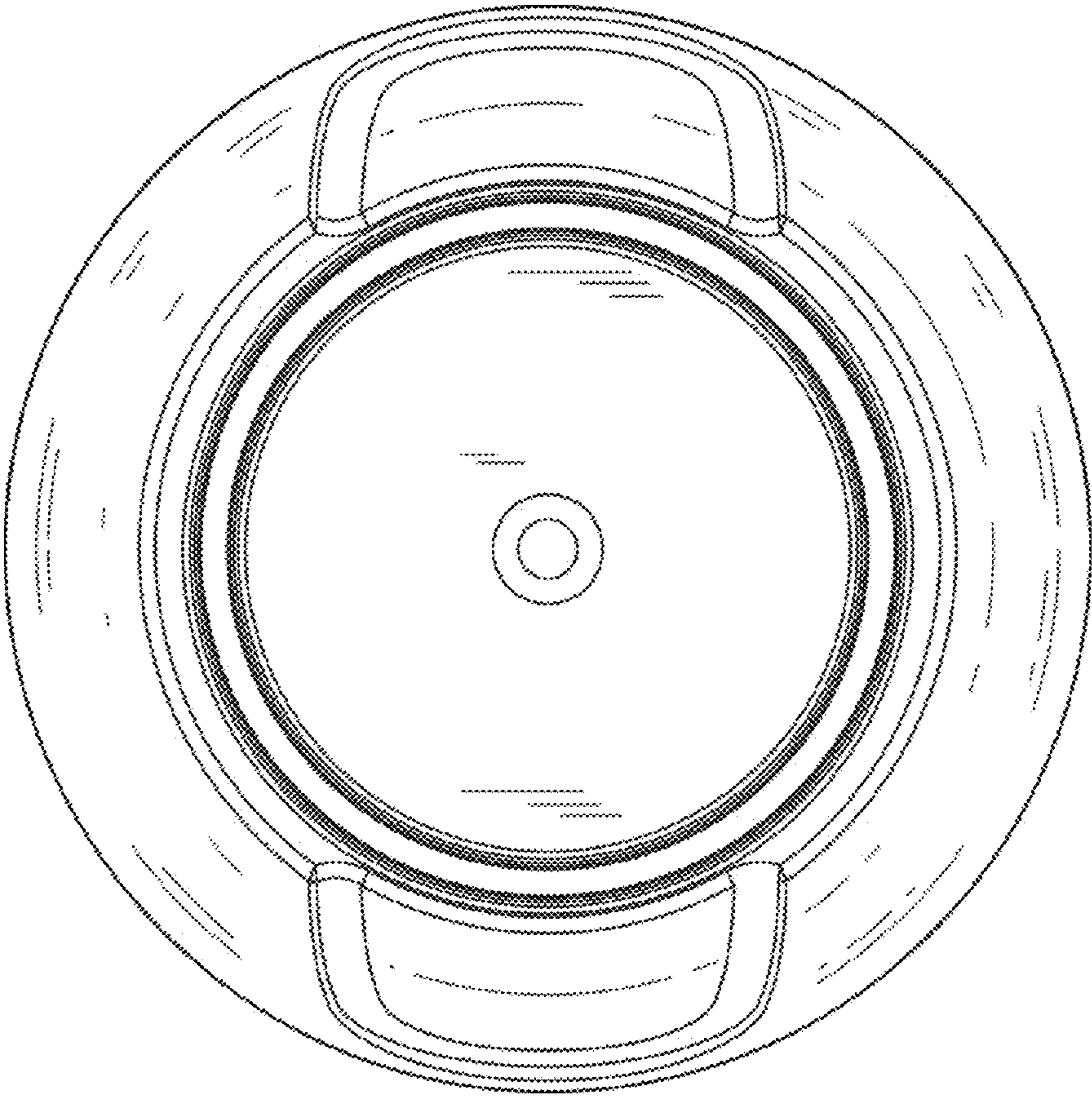


Fig.4

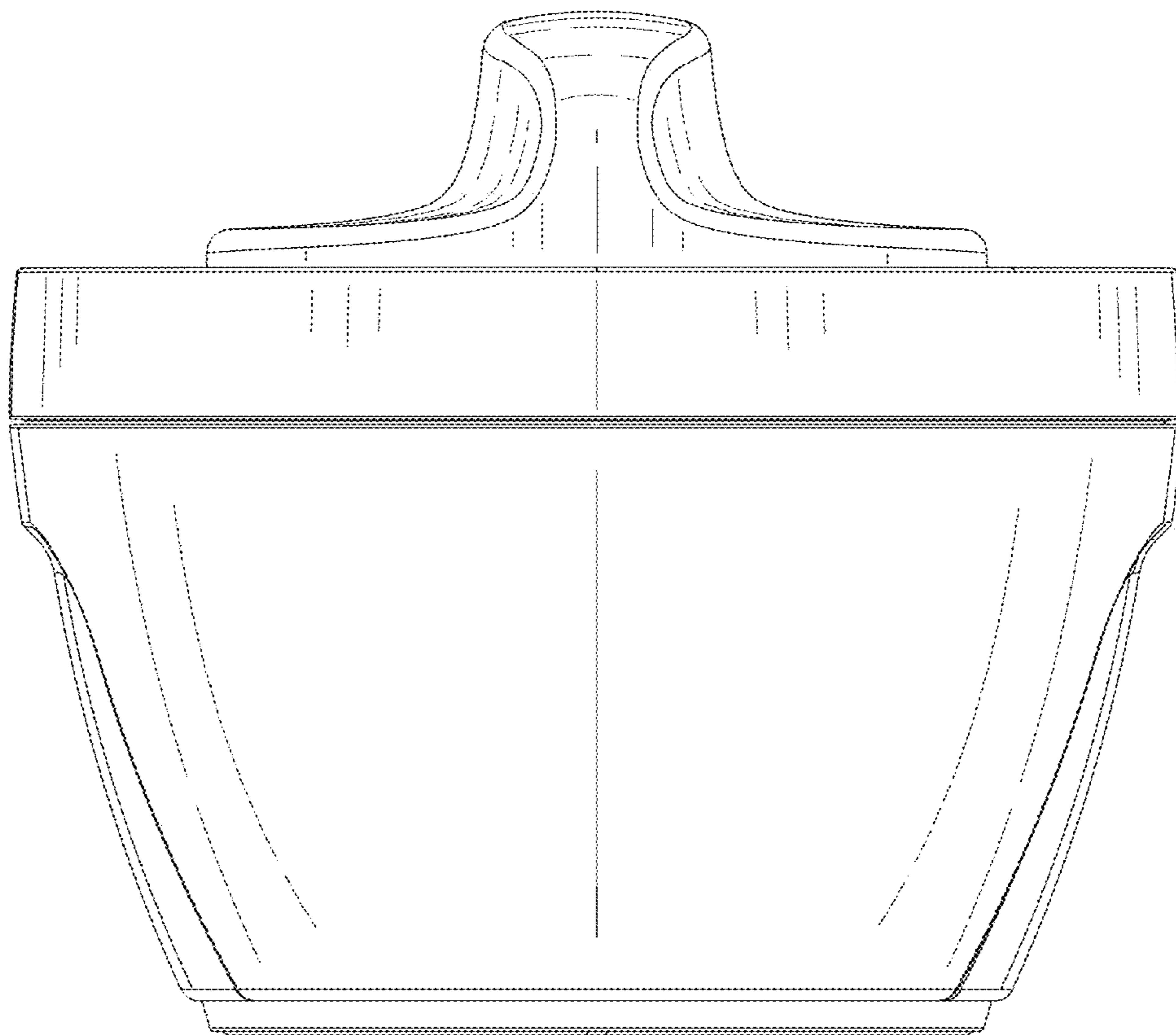


Fig. 5

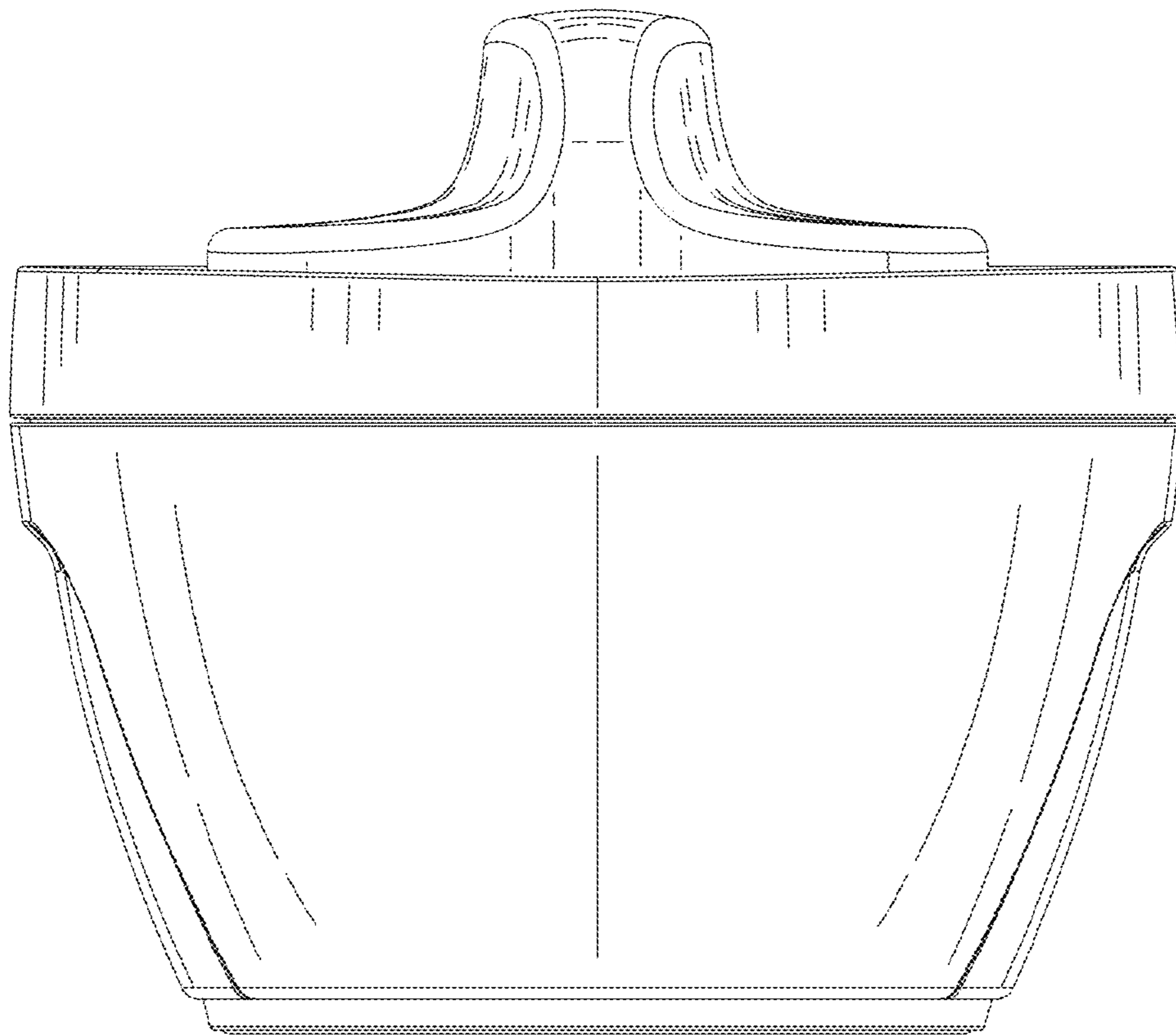


Fig. 6

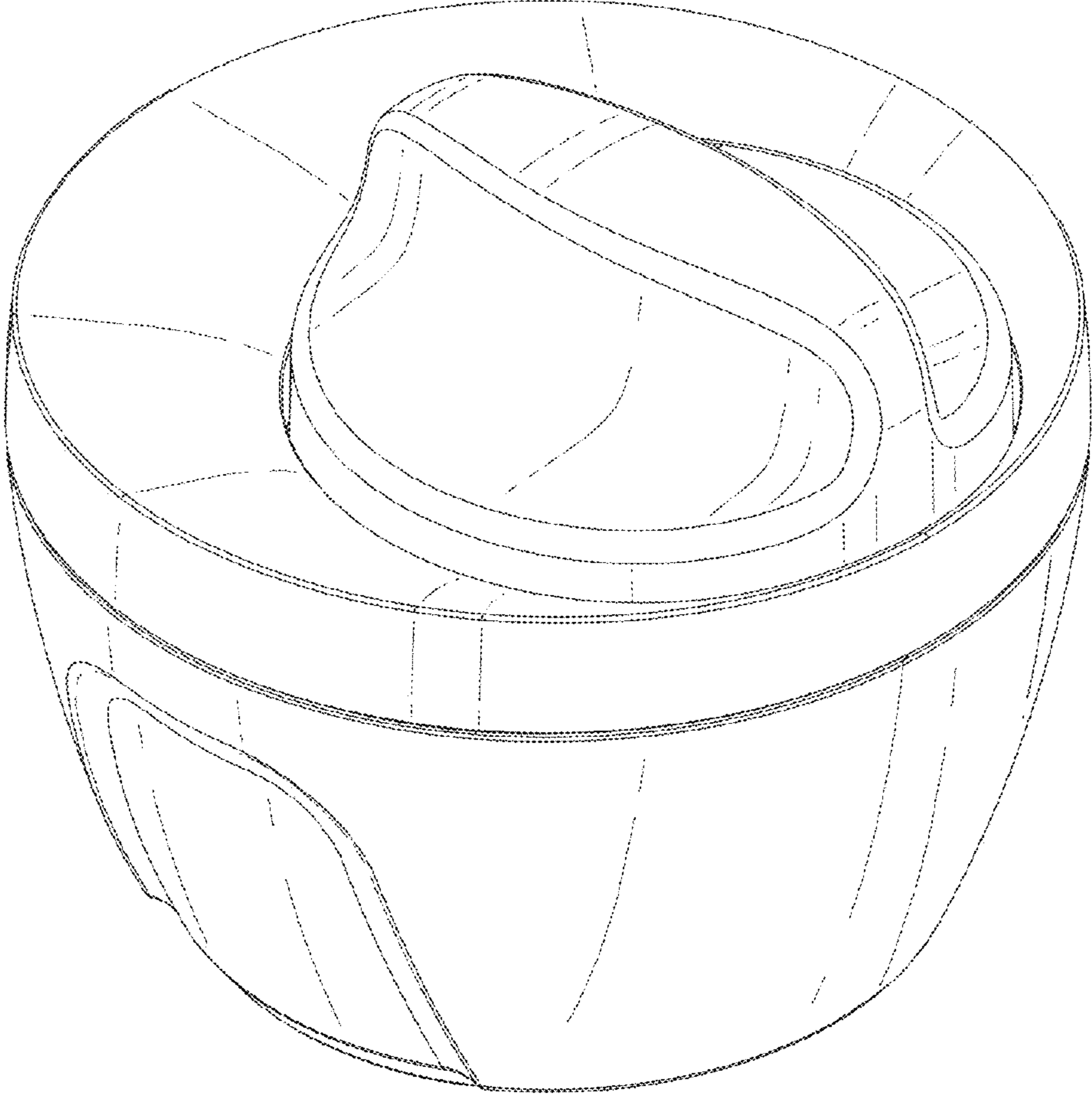


Fig. 7

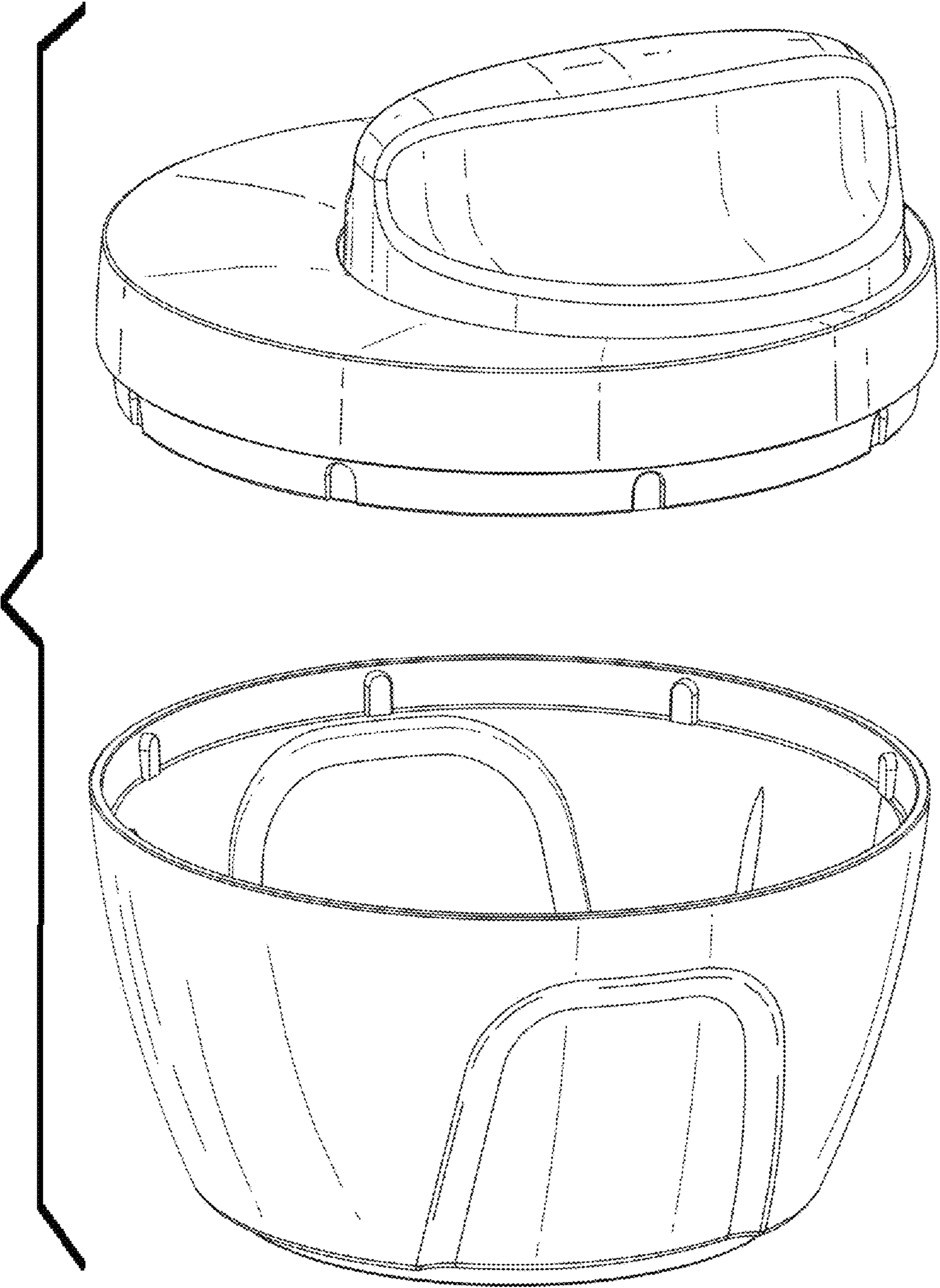


Fig. 8