



US00D708902S

(12) **United States Design Patent**
Audette

(10) **Patent No.:** **US D708,902 S**
(45) **Date of Patent:** **** Jul. 15, 2014**

(54) **BLADE ASSEMBLY**
(71) Applicant: **Euro-Pro Operating LLC**, Newton,
MA (US)
(72) Inventor: **David M. Audette**, Webster, MA (US)
(73) Assignee: **Euro-Pro Operating LLC**, Newton,
MA (US)
(**) Term: **14 Years**
(21) Appl. No.: **29/447,112**

4,733,827	A *	3/1988	Williams	241/101.2
4,817,878	A *	4/1989	Shibata	241/282.2
4,930,709	A *	6/1990	Steffens	241/282.2
D366,595	S *	1/1996	Dobson et al.	D7/384
D421,201	S *	2/2000	Crescenzi et al.	D7/412
D421,546	S *	3/2000	Ekstrom	D7/412
D432,621	S *	10/2000	Etschel et al.	D23/200
6,532,863	B1 *	3/2003	Lee	99/348
D499,303	S *	12/2004	Huang	D7/412
6,834,818	B2	12/2004	Lee	
D501,628	S *	2/2005	Feil	D7/412
6,866,414	B2 *	3/2005	Kupidlowski	366/330.3
D523,028	S	6/2006	Fitzpatrick	
D572,076	S *	7/2008	Ling	D7/384

(Continued)

(22) Filed: **Feb. 28, 2013**
(51) **LOC (10) Cl.** **31-00**
(52) **U.S. Cl.**
USPC **D7/412**; D7/376; D7/378; D7/383
(58) **Field of Classification Search**
USPC D7/301-313, 316-326, 356-357, 368,
D7/372-386, 391-398, 412-415, 503, 515,
D7/665-666, 679, 691-693, 383; D15/29,
D15/147; D23/200; 215/307; 99/280, 326,
99/348, 492, 508-512; 241/30-37.5, 98,
241/101.01-101.2, 166-169.1, 172, 199.12,
241/272, 282.1-282.2, 285.1-285.3, 291,
241/292.1, 36; 366/64-67, 98, 129,
366/142-144, 192-211, 241-254, 262, 279,
366/282.1, 282.2, 292, 325.8, 325.92,
366/341-347, 270, 330.3; 416/75-77, 70 R,
416/163; 473/591

See application file for complete search history.

(56) **References Cited**

U.S. PATENT DOCUMENTS

2,584,260	A *	2/1952	Custer	473/591
3,139,917	A *	7/1964	Elmore	241/199.12
3,461,933	A *	8/1969	Mantelet	241/199.12
4,173,310	A *	11/1979	Schaeffer	241/282.1
4,331,300	A *	5/1982	Hicks et al.	241/282.1

OTHER PUBLICATIONS

U.S. Appl. No. 29/447,259, filed Mar. 1, 2013, Audette.

(Continued)

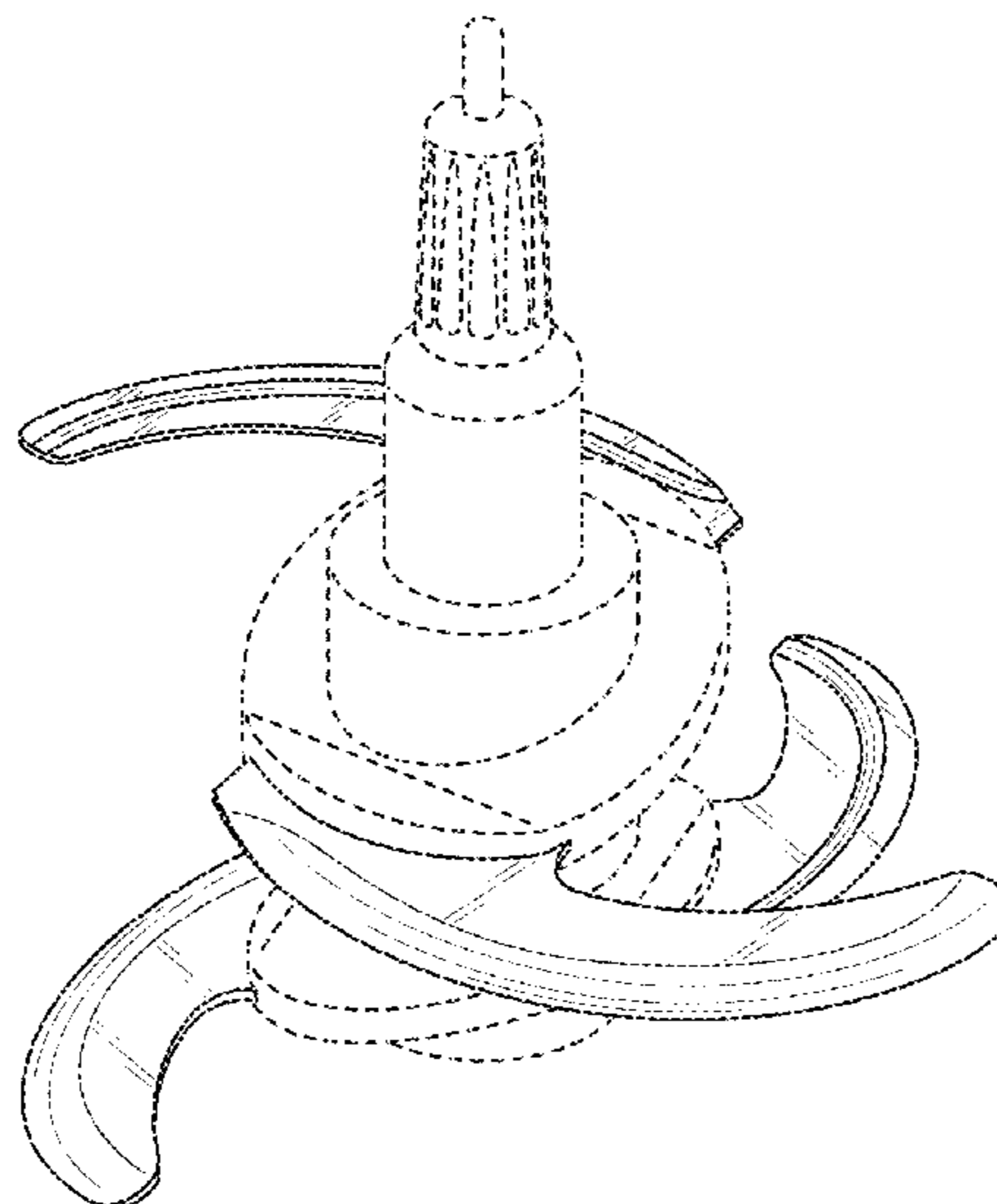
Primary Examiner — Ricky Pham
(74) *Attorney, Agent, or Firm* — Wolf, Greenfield & Sacks,
P.C.

(57) **CLAIM**
The ornamental design for a blade assembly, as shown and
described.

DESCRIPTION

FIG. 1 is a top, front, right side perspective view of a blade
assembly showing my new design;
FIG. 2 is a front elevational view thereof;
FIG. 3 is a rear elevational view thereof;
FIG. 4 is a left side elevational view thereof;
FIG. 5 is a right side elevational view thereof;
FIG. 6 is a top plan view thereof; and,
FIG. 7 is a bottom plan view thereof.
The broken lines of FIGS. 1-7 illustrate portions of the blade
assembly that form no part of the claimed design.

1 Claim, 7 Drawing Sheets



(56)

References Cited

U.S. PATENT DOCUMENTS

7,419,111 B2 * 9/2008 Gursel 241/282.1
 D604,101 S * 11/2009 Sands D7/412
 7,641,380 B2 * 1/2010 Behar et al. 366/205
 7,686,240 B2 * 3/2010 Pryor et al. 241/36
 D622,095 S * 8/2010 Metaxatos et al. D7/383
 D624,359 S 9/2010 Schleinzer
 D632,523 S 2/2011 Metaxatos et al.
 D647,364 S * 10/2011 Audette et al. D7/412
 D647,365 S * 10/2011 Audette et al. D7/412
 8,056,848 B1 11/2011 Liang
 8,132,752 B1 * 3/2012 Hotaling et al. 241/282.1
 8,197,121 B2 * 6/2012 Sands 366/246
 D663,586 S * 7/2012 Audette D7/412
 D668,115 S * 10/2012 Potter D7/412
 D681,690 S * 5/2013 Xia et al. D15/29
 D682,030 S * 5/2013 Ezechukwu D7/412

8,444,076 B2 5/2013 Rukavina
 D684,817 S 6/2013 Leavitt
 D690,159 S * 9/2013 Gursel et al. D7/412
 D690,751 S * 10/2013 Kehoe et al. D15/147
 D696,070 S * 12/2013 Audette D7/412
 D700,013 S * 2/2014 Chu D7/412
 2006/0176771 A1 * 8/2006 Adams 366/270
 2007/0291583 A1 12/2007 Baschnagel
 2008/0198691 A1 8/2008 Behar et al.
 2009/0114616 A1 * 5/2009 White et al. 215/307
 2009/0260236 A1 10/2009 Lin
 2010/0246320 A1 * 9/2010 Sands 366/246
 2012/0080549 A1 * 4/2012 Rukavina 241/282.1
 2012/0091245 A1 * 4/2012 Menashes 241/282.1

OTHER PUBLICATIONS

U.S. Appl. No. 29/447,113, filed Feb. 28, 2013, Potter et al.
 U.S. Appl. No. 29/447,102, filed Feb. 28, 2013, Audette.

* cited by examiner

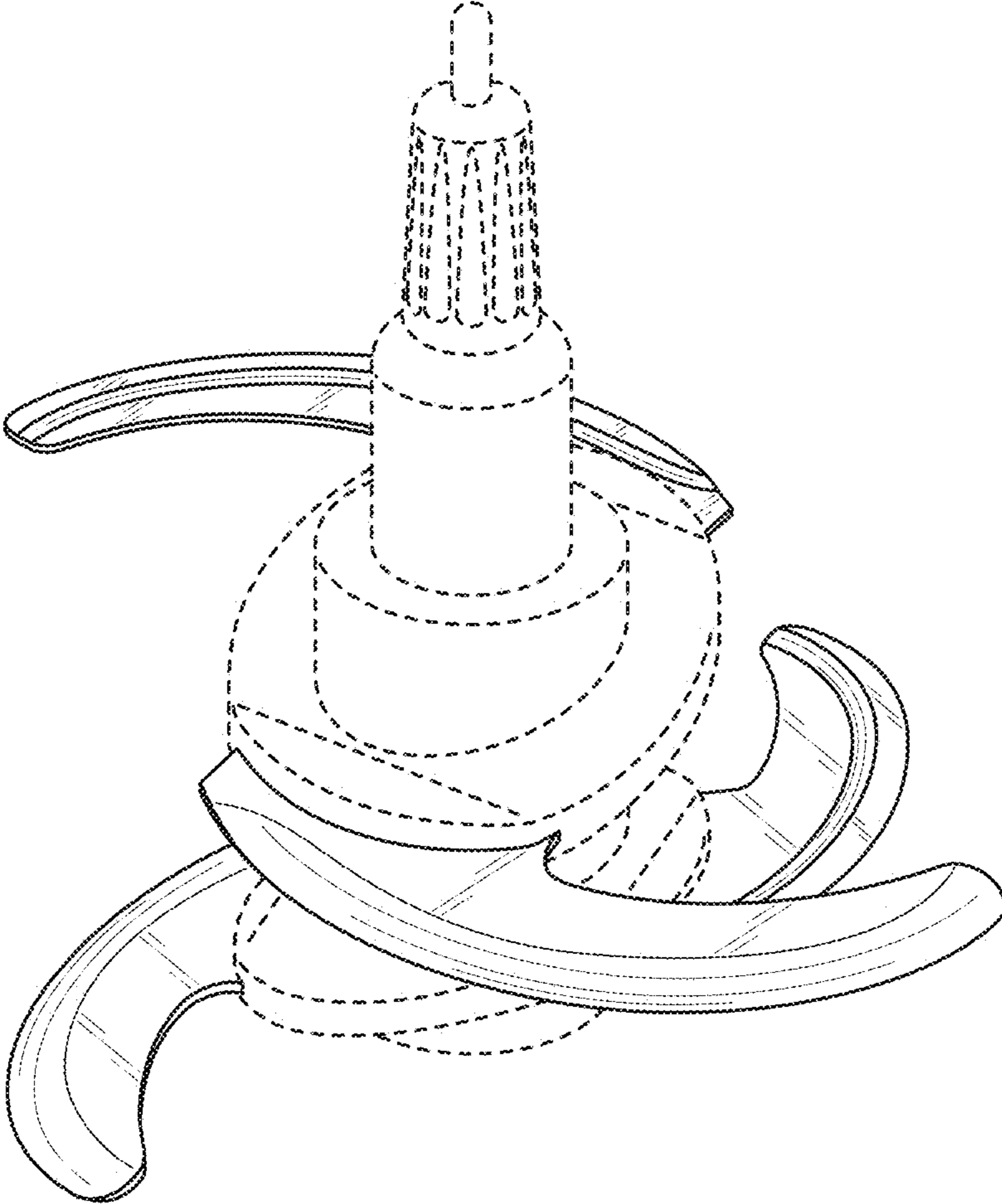


FIG. 1

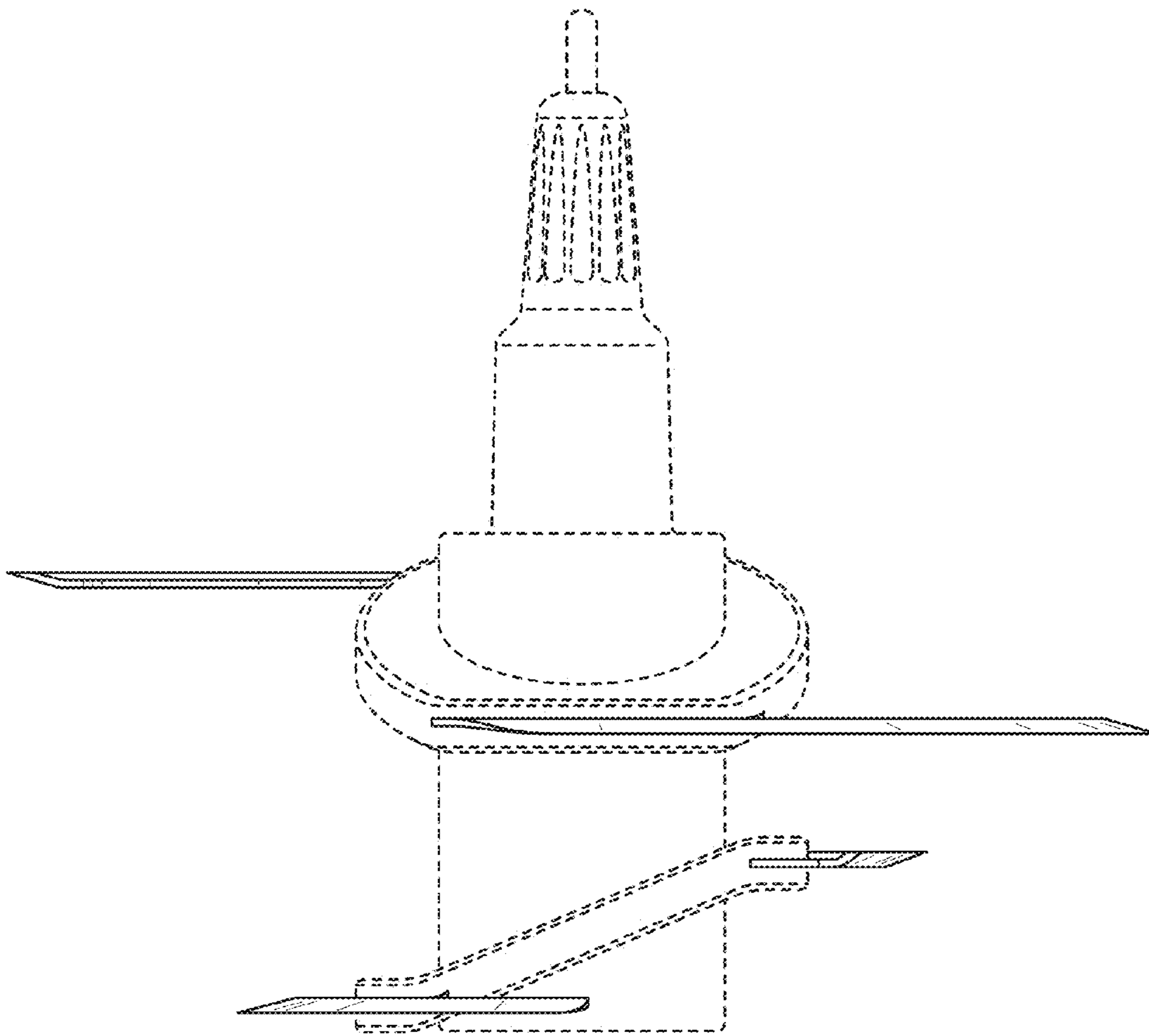


FIG. 2

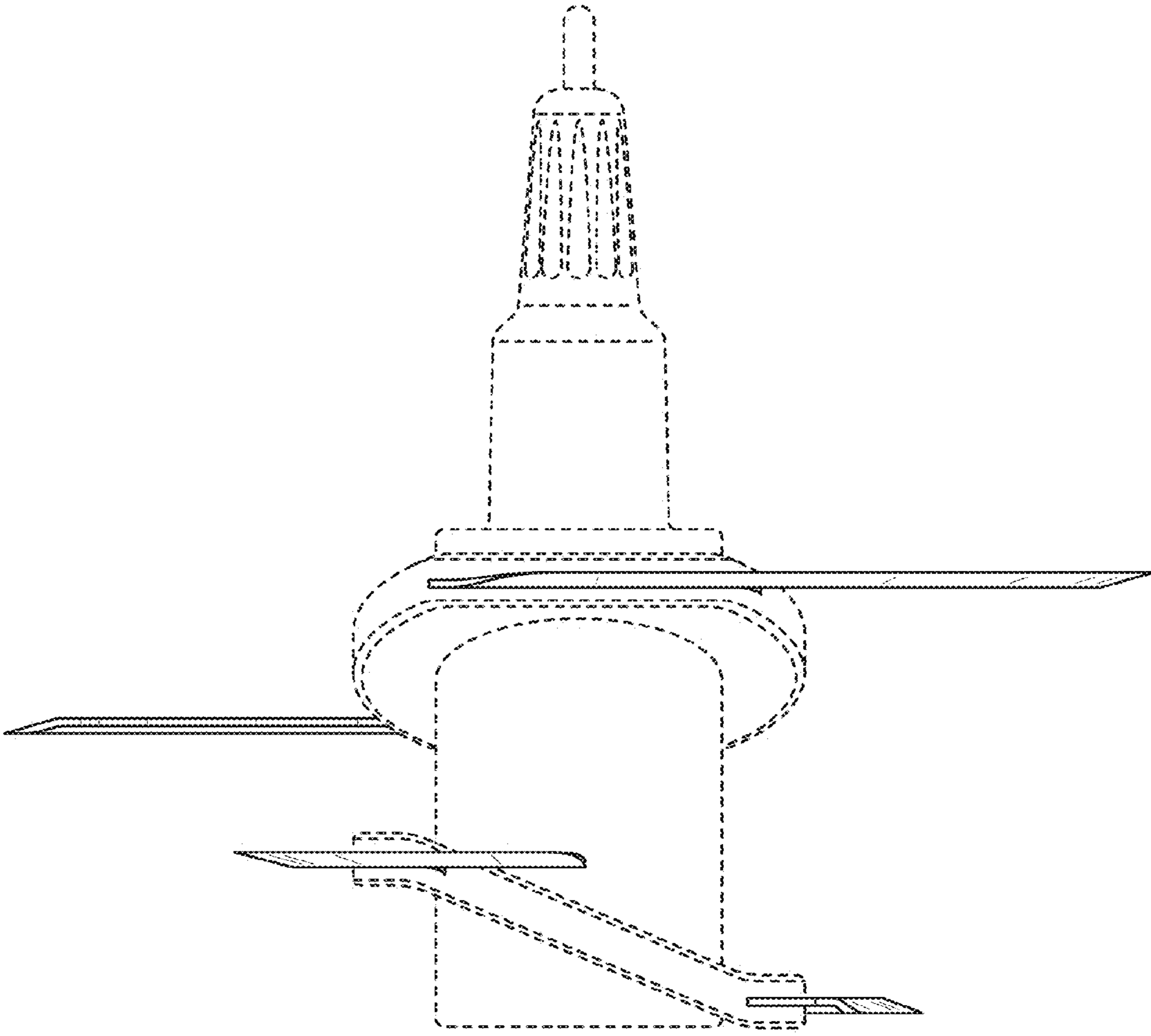


FIG. 3

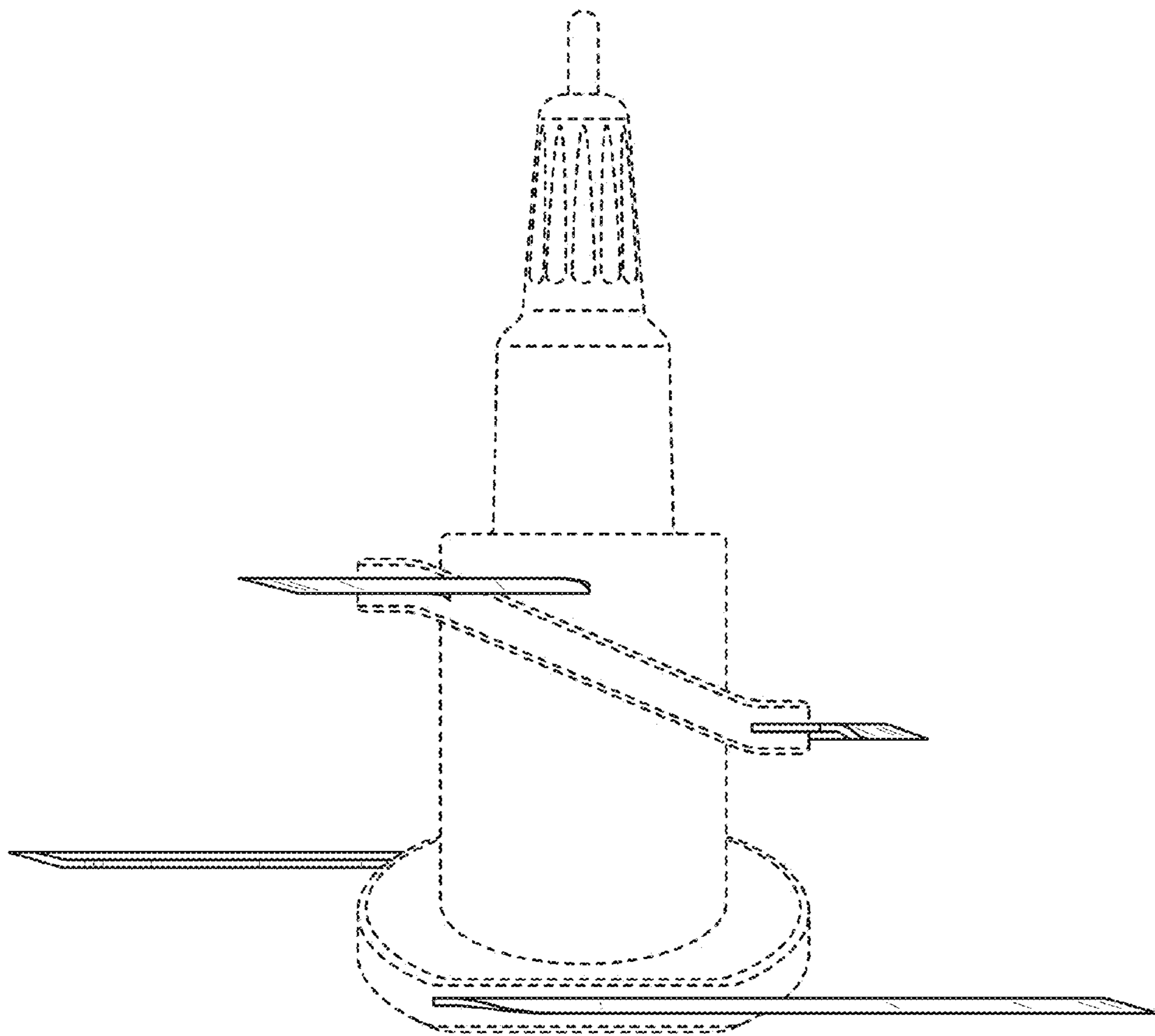


FIG. 4

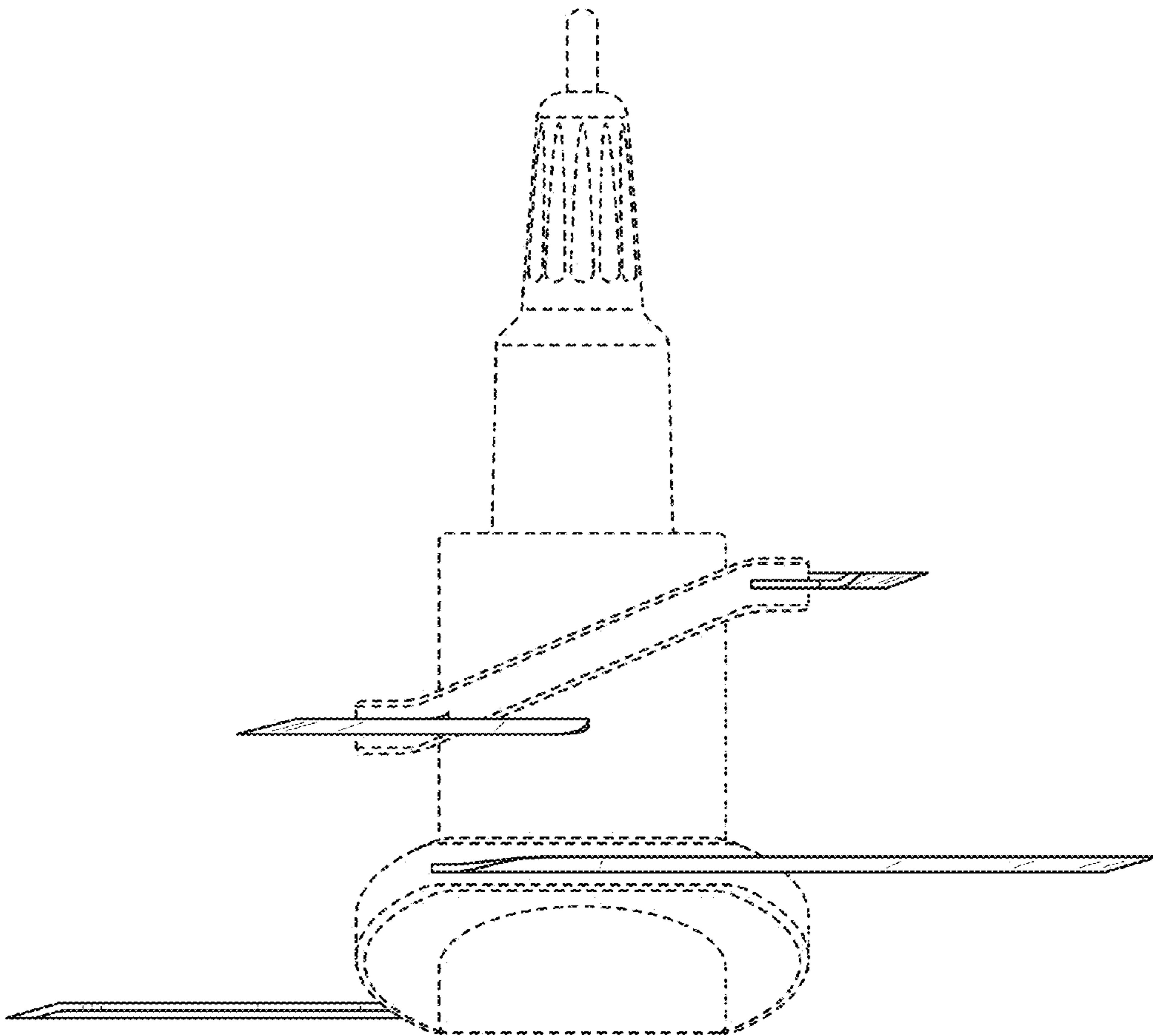


FIG. 5

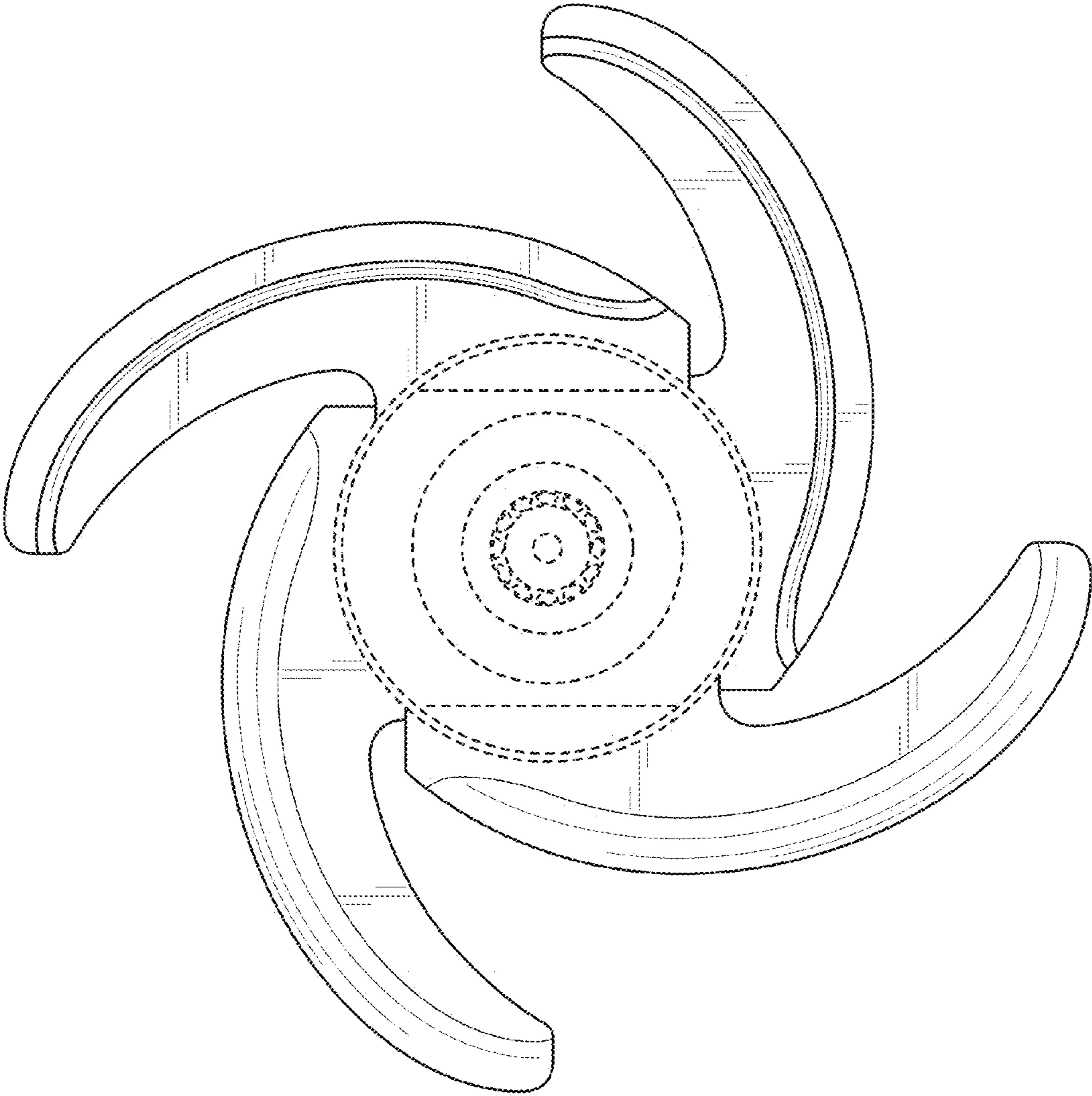


FIG. 6

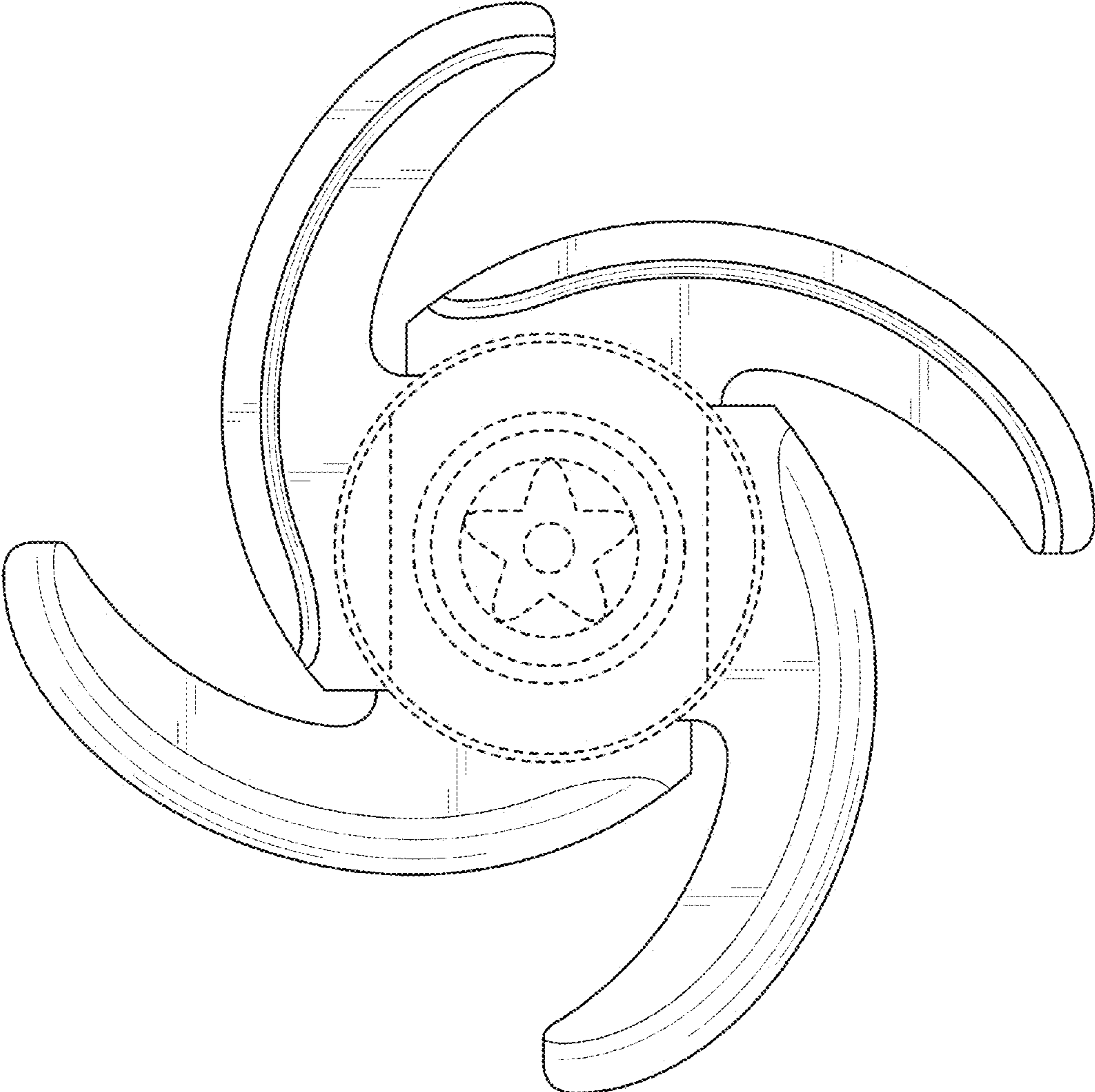


FIG. 7