



US00D708898S

(12) **United States Design Patent**
Carlson

(10) **Patent No.:** **US D708,898 S**

(45) **Date of Patent:** **** *Jul. 15, 2014**

(54) **LID FOR CONTAINER**

(56) **References Cited**

(71) Applicant: **The Decor Corporation Pty. Ltd.,**
Scoresby (AU)

U.S. PATENT DOCUMENTS

(72) Inventor: **Arthur Richard Carlson,** Hawthorn
(AU)

D3,357 S	2/1869	Pratt
D3,358 S	2/1869	Pratt
D117,714 S	11/1939	Guttman
D170,104 S	7/1953	Zabel
3,384,263 A	5/1968	Bernstein
D220,448 S	4/1971	Swett
D224,554 S	8/1972	Swett
D229,916 S	1/1974	Schneider
D232,703 S	9/1974	Konzi
D234,568 S	3/1975	Swett
D240,114 S	6/1976	Martinelli
D241,599 S	9/1976	Croyle
D241,703 S	10/1976	Ashton
D267,703 S	1/1983	Chase et al.
D285,906 S	9/1986	Tyler

(73) Assignee: **The Decor Corporation Pty Ltd.,**
Scoresby, Victoria (AU)

(*) Notice: This patent is subject to a terminal disclaimer.

(**) Term: **14 Years**

(21) Appl. No.: **29/450,737**

(22) Filed: **Mar. 21, 2013**

(30) **Foreign Application Priority Data**

Sep. 21, 2012 (AU) 14735/2012

(51) **LOC (10) Cl.** **07-02**

(52) **U.S. Cl.**
USPC **D7/391**

(58) **Field of Classification Search**

USPC D7/307, 323, 329-332, 339, 346-347,
D7/350.1-350.4, 353-367, 391-392,
D7/392.1, 393, 395, 402, 406, 409,
D7/538-542, 610, 629, 709; D9/424, 425,
D9/429-431, 435, 451-454; 99/324-325,
99/331-332, 337-343, 369, 400-418, 422,
99/425, 444, 451, 483; 126/37 R, 261,
126/374.1, 378.1; 206/501-505, 507-508;
219/400, 405, 429-442, 620-624, 725,
219/730-735; 220/203.01-203.05, 203.07,
220/203.09, 298, 315-316, 573.1-573.5,
220/784, 790, 793, 912; 426/438, 441

See application file for complete search history.

(Continued)

Primary Examiner — Ricky Pham

(74) *Attorney, Agent, or Firm* — Cook Alex Ltd.

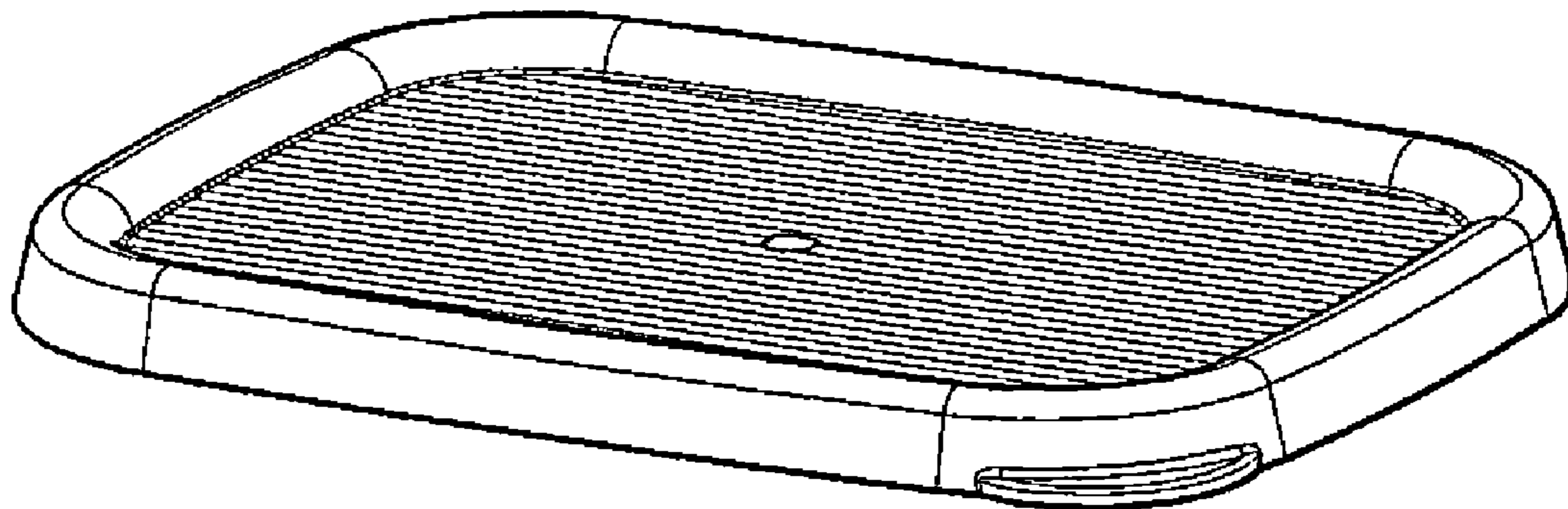
(57) **CLAIM**

The ornamental design for a lid for container, as shown as described.

DESCRIPTION

FIG. 1 is a top perspective view of a lid for container showing my new design;
FIG. 2 is a bottom perspective view of the claimed design;
FIG. 3 is a top plan view of the claimed design;
FIG. 4 is a bottom plan view of the claimed design.
FIG. 5 is a front view of the claimed design;
FIG. 6 is a rear view of the claimed design;
FIG. 7 is a left side view of the claimed design; and,
FIG. 8 is a right side view of the claimed design.

1 Claim, 3 Drawing Sheets



(56)

References Cited

U.S. PATENT DOCUMENTS

D287,573 S	1/1987	Tyler		D541,648 S *	5/2007	Bennett et al.	D9/425
D289,719 S	5/1987	Daenen et al.		D547,115 S *	7/2007	Bouveret et al.	D7/392.1
D330,660 S	11/1992	Newton et al.		D551,496 S *	9/2007	Ablo et al.	D7/392.1
D351,791 S	10/1994	Morris, Sr.		D551,515 S *	9/2007	Ablo et al.	D7/629
D354,655 S	1/1995	Daenen et al.		D571,200 S	6/2008	Bouveret et al.	
5,377,860 A *	1/1995	Littlejohn et al.	220/790	D584,145 S	1/2009	Young	
D358,328 S	5/1995	Huerto et al.		D585,699 S *	2/2009	Furlong	D7/392.1
D360,105 S *	7/1995	Doxey	D7/391	D587,567 S *	3/2009	Peysen et al.	D9/424
D365,273 S	12/1995	Indekeu		D588,914 S	3/2009	Laurieu-Tedeschi	
D375,654 S	11/1996	Ferris		D593,855 S	6/2009	Scheve	
D388,325 S *	12/1997	Tucker et al.	D9/425	D611,807 S *	3/2010	Miga, Jr.	D9/424
D390,109 S *	2/1998	Tucker et al.	D9/425	D615,349 S *	5/2010	Furlong	D7/392.1
D403,582 S	1/1999	Nask et al.		D642,049 S	7/2011	Samartgis	
D403,583 S	1/1999	Nask et al.		D642,050 S	7/2011	Samartgis	
D443,798 S *	6/2001	Tucker et al.	D7/629	D642,051 S	7/2011	Samartgis	
D445,649 S *	7/2001	Maxwell et al.	D7/629	D642,052 S	7/2011	Samartgis	
D446,117 S	8/2001	Conti		D642,457 S	8/2011	Samartgis	
D465,382 S *	11/2002	Wolf et al.	D7/392.1	D642,458 S	8/2011	Samartgis	
D485,468 S *	1/2004	Roth et al.	D7/392.1	D642,861 S	8/2011	Samartgis	
D489,975 S *	5/2004	Jackson et al.	D9/425	D642,905 S	8/2011	Samartgis	
D505,840 S *	6/2005	Schultz et al.	D7/629	D642,906 S	8/2011	Samartgis	
6,910,599 B2 *	6/2005	Tucker et al.	220/793	D642,907 S	8/2011	Samartgis	
D512,278 S *	12/2005	Schultz et al.	D7/629	D643,710 S	8/2011	Samartgis	
D516,859 S *	3/2006	Zettle et al.	D7/392.1	D643,711 S	8/2011	Samartgis	
D521,380 S *	5/2006	Jackson et al.	D9/435	D643,712 S	8/2011	Samartgis	
D536,249 S	2/2007	Smith et al.		D677,568 S *	3/2013	Sina	D9/451
D540,669 S	4/2007	George et al.		D686,450 S *	7/2013	Yessin et al.	D7/392.1
				D689,363 S *	9/2013	Sundy et al.	D9/429
				D692,297 S *	10/2013	Wintmolders et al.	D9/431

* cited by examiner

FIG. 1

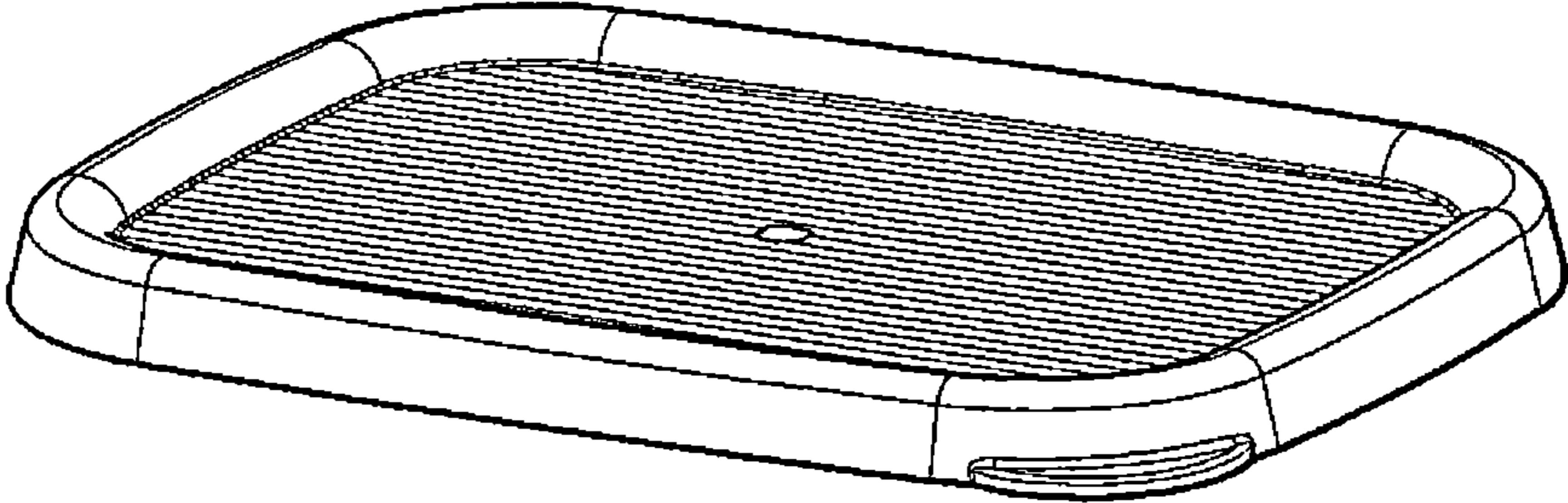


FIG. 2

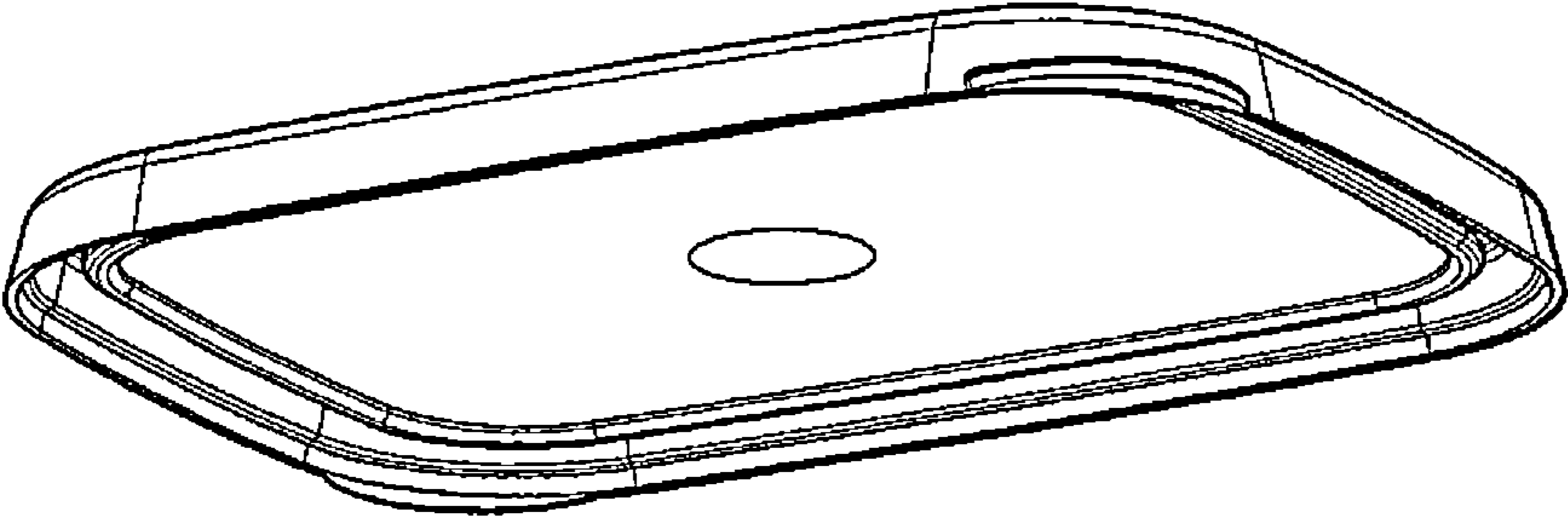


FIG. 3

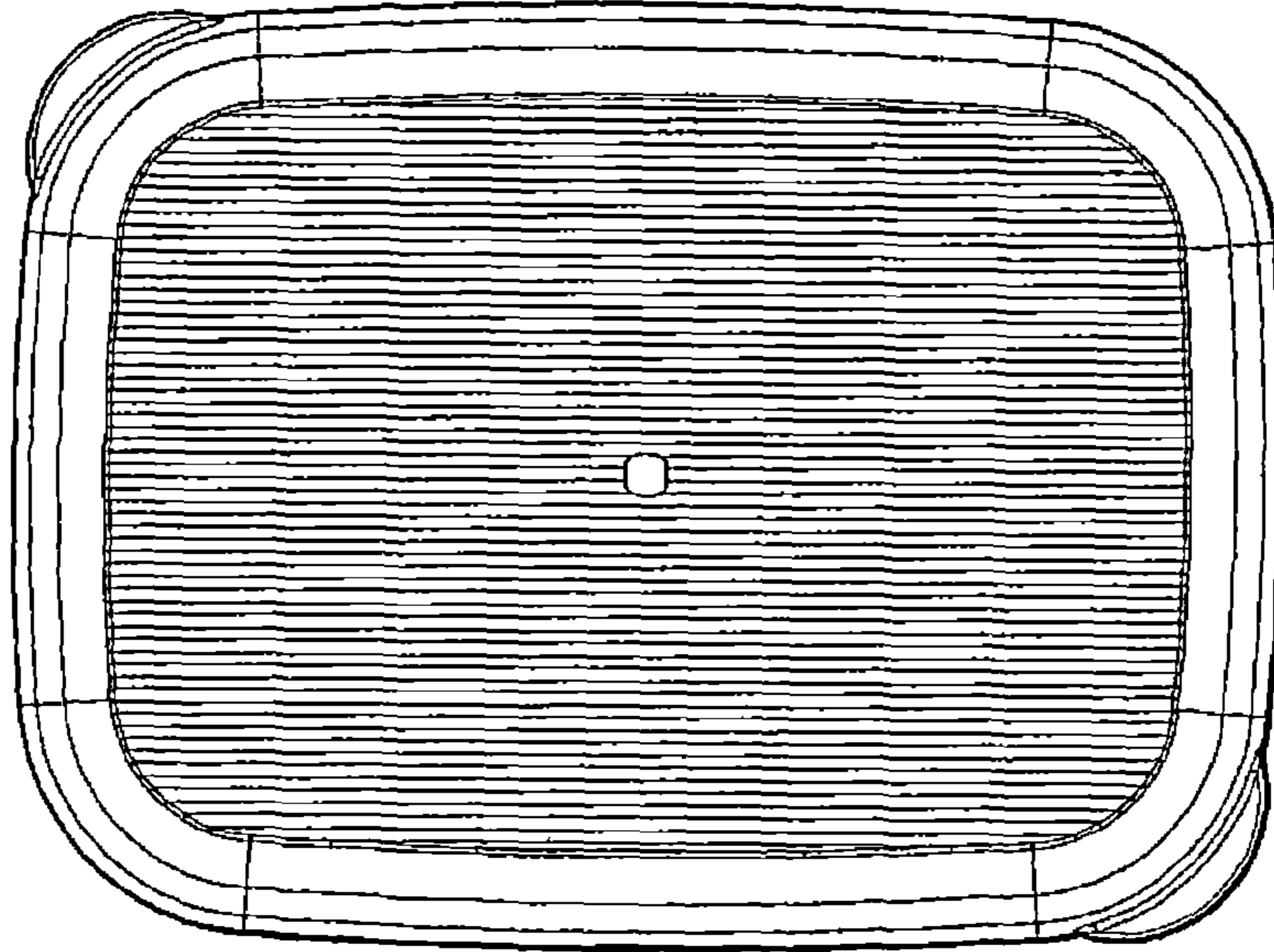


FIG. 4

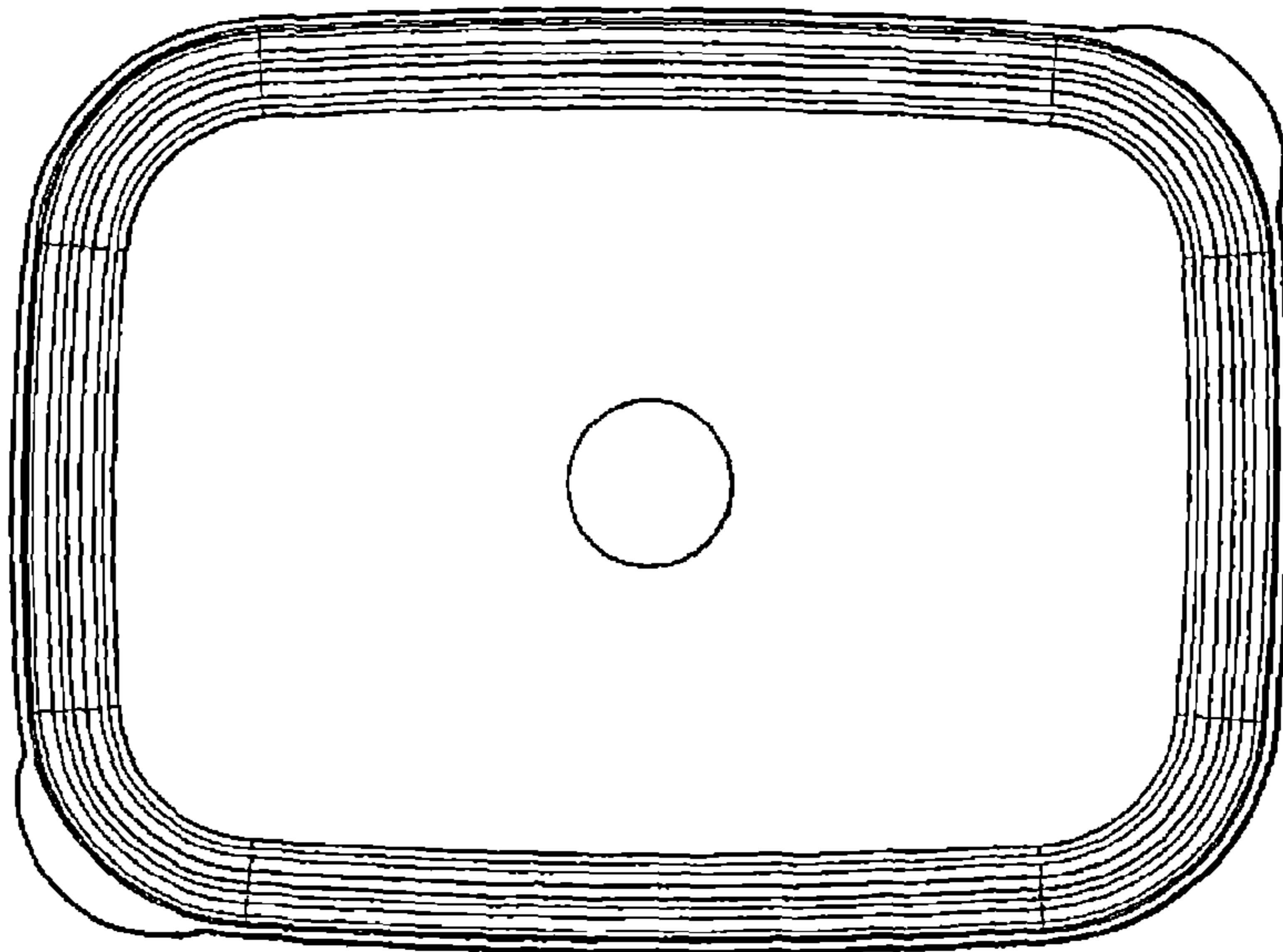


FIG. 5

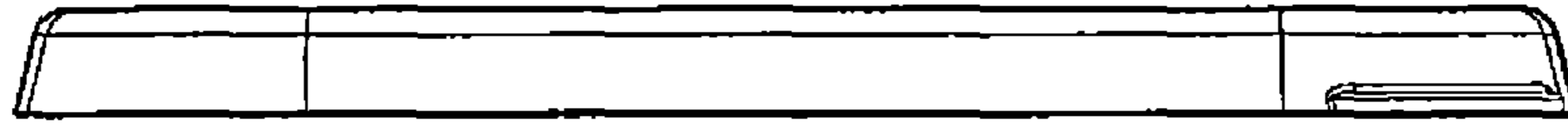


FIG. 6

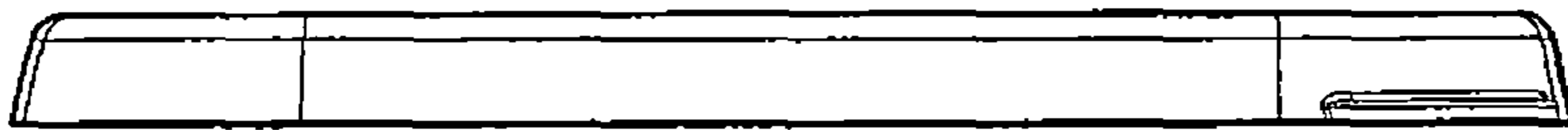


FIG. 7

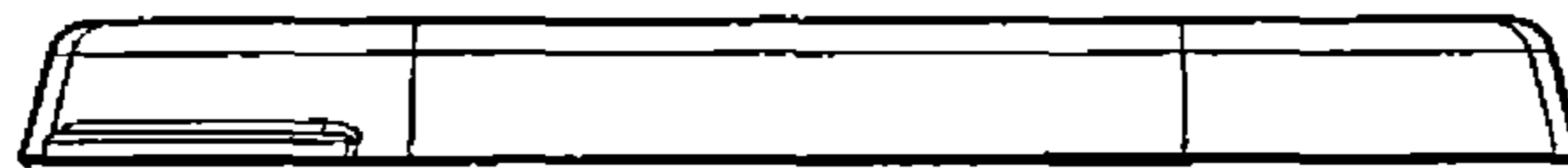


FIG. 8

