



US00D708890S

(12) **United States Design Patent**
Kim et al.

(10) **Patent No.:** **US D708,890 S**
(45) **Date of Patent:** **** Jul. 15, 2014**

(54) **CONTAINER FOR OVEN**

(56) **References Cited**

(71) Applicant: **Samsung Electronics Co., Ltd.**,
Suwon-Si (KR)

U.S. PATENT DOCUMENTS

(72) Inventors: **Jaejun Kim**, Seoul (KR); **Ji-Young Shin**, Seoul (KR)

D107,792 S *	1/1938	Rathbun	D9/424
D209,953 S *	1/1968	Stehl	D9/415
D242,326 S *	11/1976	Thorman et. al.	D9/418
D288,907 S *	3/1987	Crawford	D9/415
D305,841 S *	2/1990	MacQueen	D6/475
5,027,947 A *	7/1991	Reighart	206/335
D332,746 S *	1/1993	Garcia	D9/426
D357,626 S *	4/1995	Snow et al.	D9/415
7,258,233 B2 *	8/2007	Lee	206/470
D553,011 S *	10/2007	Nouvel	D9/761
D553,975 S *	10/2007	Voges	D9/425
D615,858 S *	5/2010	Prevost	D9/415
D671,827 S *	12/2012	Raimer et al.	D9/415

(73) Assignee: **Samsung Electronics Co., Ltd.**,
Gyeonggi-do (KR)

(**) Term: **14 Years**

(21) Appl. No.: **29/454,912**

(22) Filed: **May 15, 2013**

* cited by examiner

(30) **Foreign Application Priority Data**

Nov. 26, 2012 (KR) 30-2012-0056506

(51) **LOC (10) Cl.** **07-02**

(52) **U.S. Cl.**
USPC **D7/354**

(58) **Field of Classification Search**
USPC D3/304; D7/323, 329-332, 337-339,
D7/346-347, 350.1-350.4, 353-367,
D7/388-395, 402-409, 538, 542-543,
D7/665; D9/415, 418, 424-426;
99/324-325, 330-332, 337-343,
99/366-369, 393, 400-418, 422, 425,
99/444-450, 476, 483; 126/9 B, 25 AA,
126/25 R, 30, 37 R, 41 R, 261, 378.1, 390.1;
206/335, 470; 219/368-387, 392, 400,
219/405, 429-442, 452.11, 620-624, 725,
219/730-735; 220/314-315, 486,
220/573.1-573.5, 592.16, 608, 912

See application file for complete search history.

Primary Examiner — Ricky Pham

(74) *Attorney, Agent, or Firm* — Harness, Dickey & Pierce

(57) **CLAIM**

The ornamental design for a container for oven, as shown and described.

DESCRIPTION

FIG. 1 is the front/right-side/top perspective view of a container for oven showing our new design; FIG. 2 is the front elevational view thereof; FIG. 3 is the rear elevational view thereof; FIG. 4 is the left-side elevational view thereof; FIG. 5 is the right-side elevational view thereof; FIG. 6 is the top-side plan view thereof; FIG. 7 is the bottom-side plan view thereof; and, FIG. 8 is shows that the container for oven is open. The shade lines in the Figures show the transparency and the flatness, and not surface ornamentation. The broken lines shown in the drawings are for illustrative purposes only and form no part of the claimed design.

1 Claim, 6 Drawing Sheets

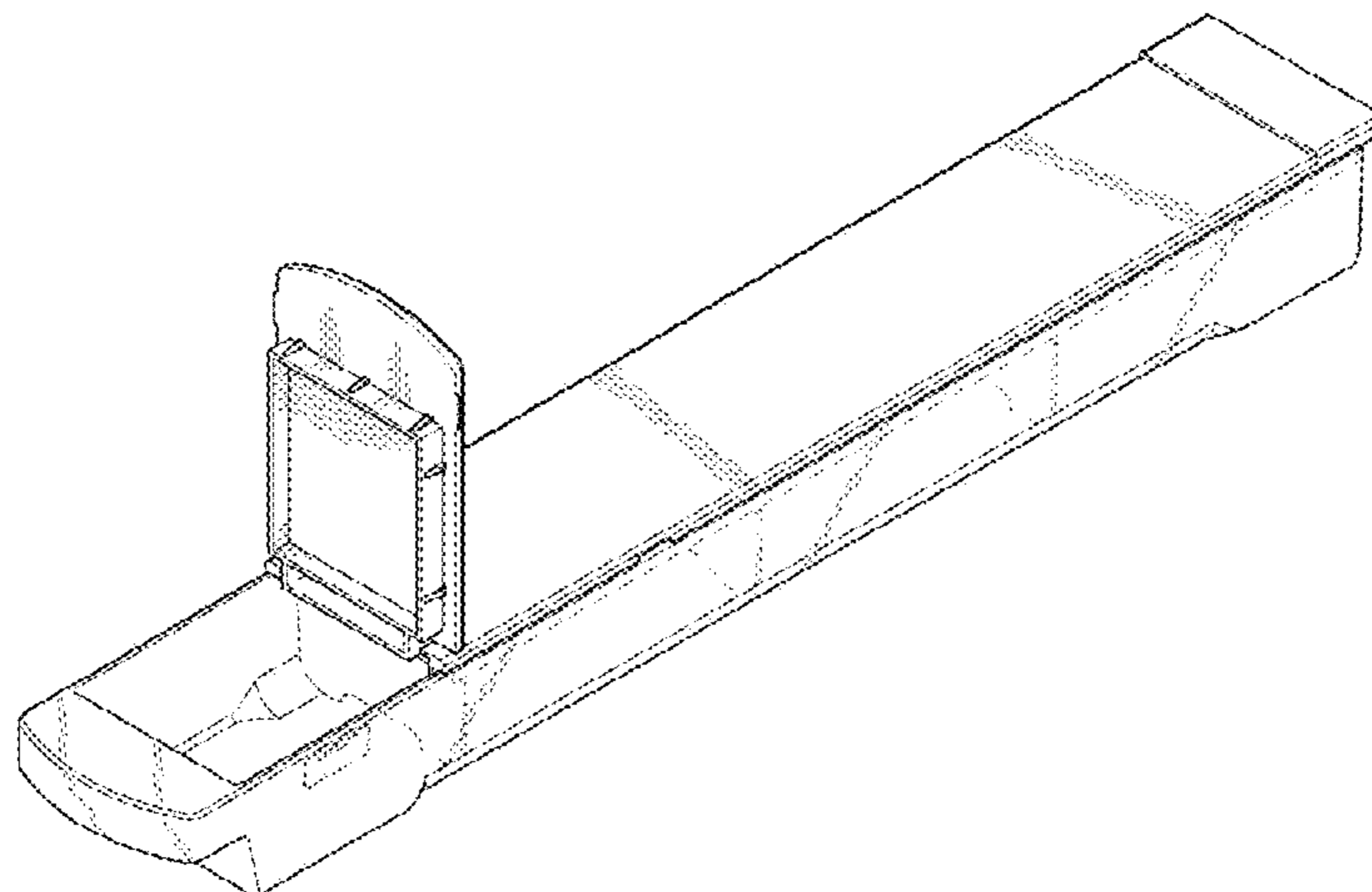


FIG. 1

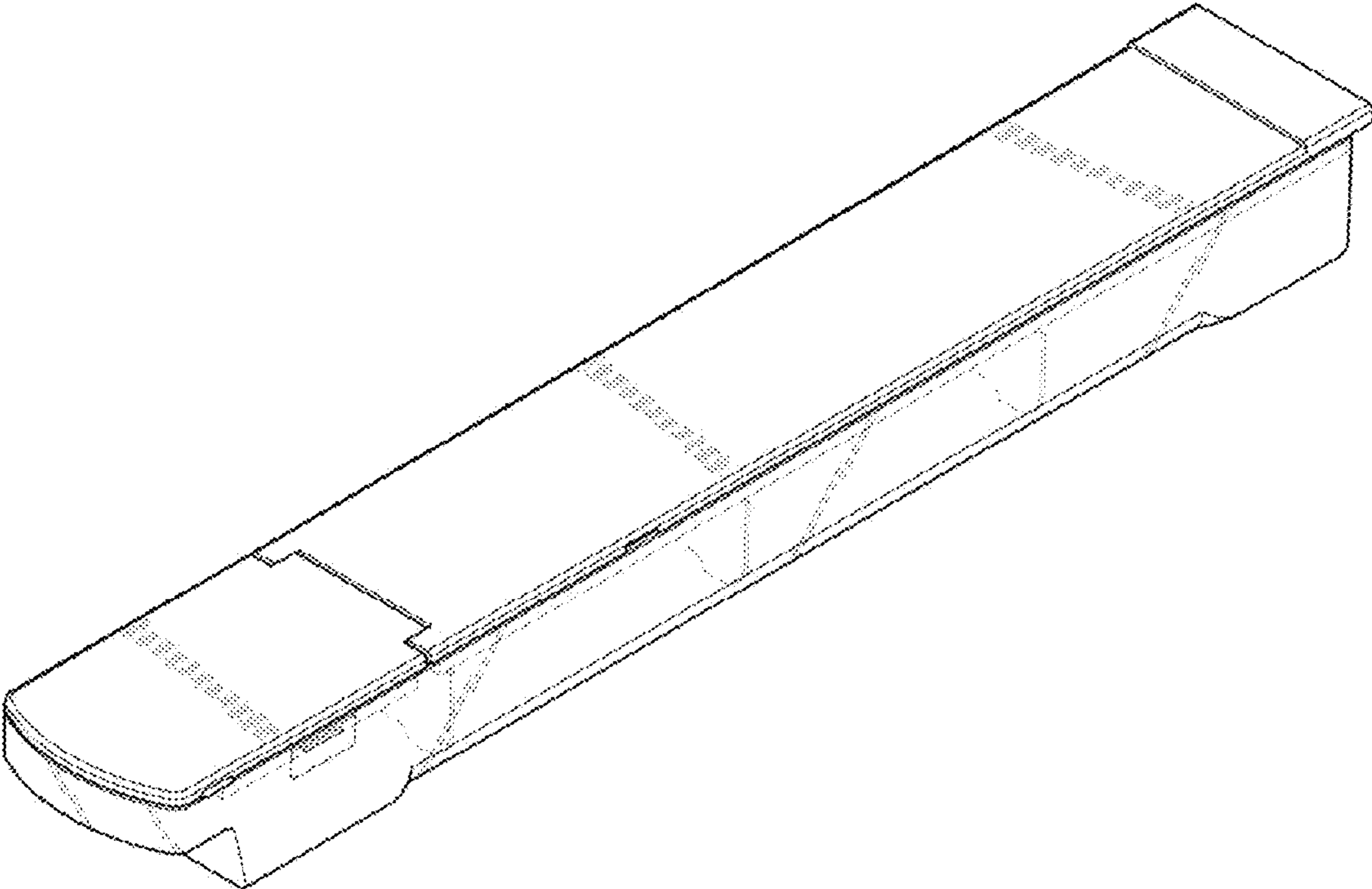


FIG. 2

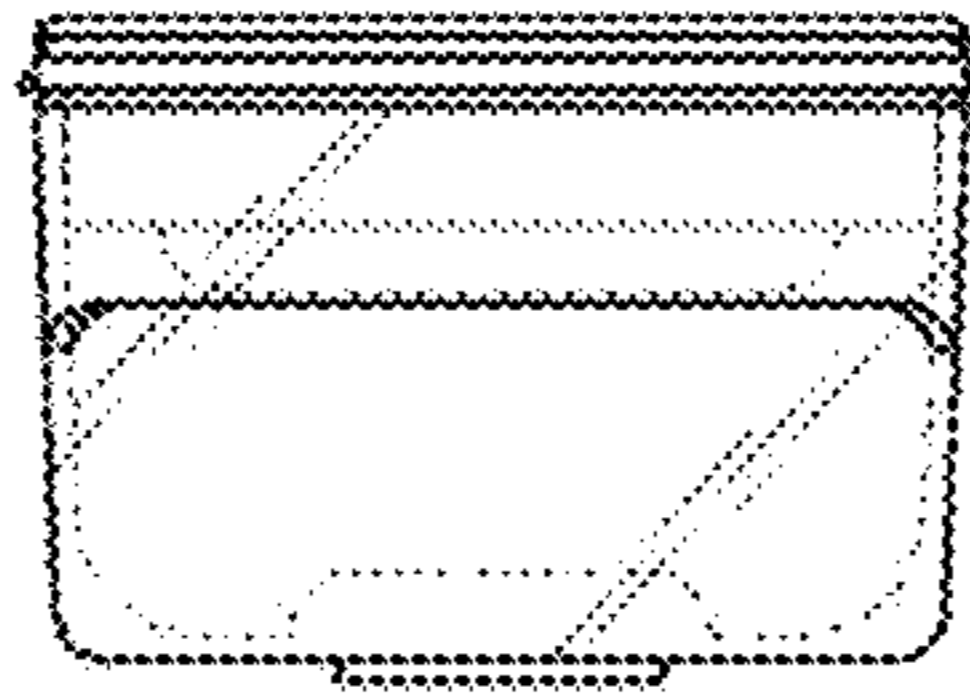


FIG. 3

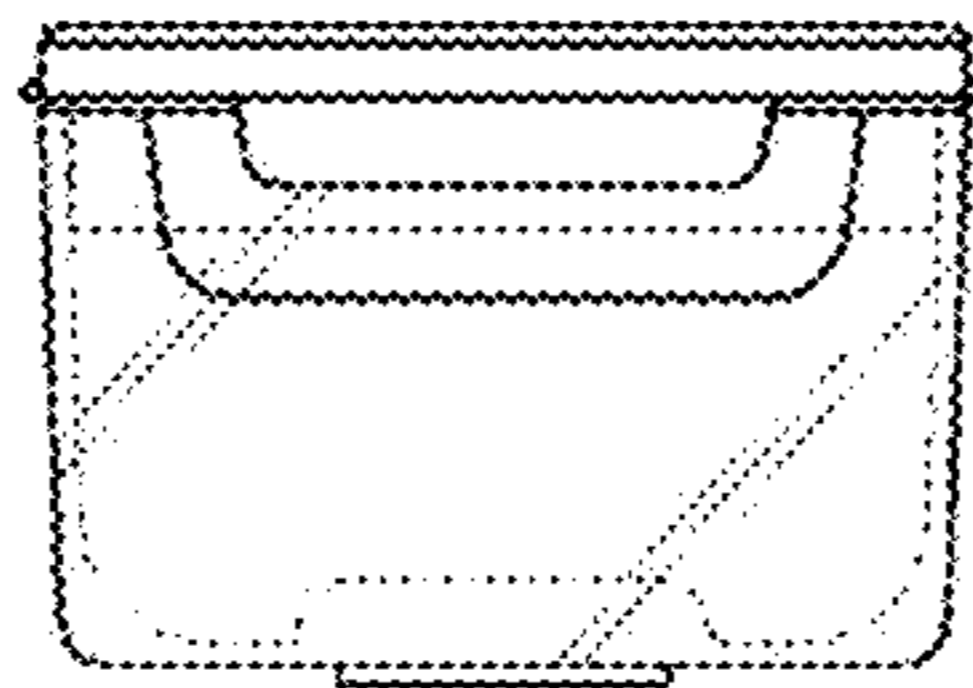


FIG. 4

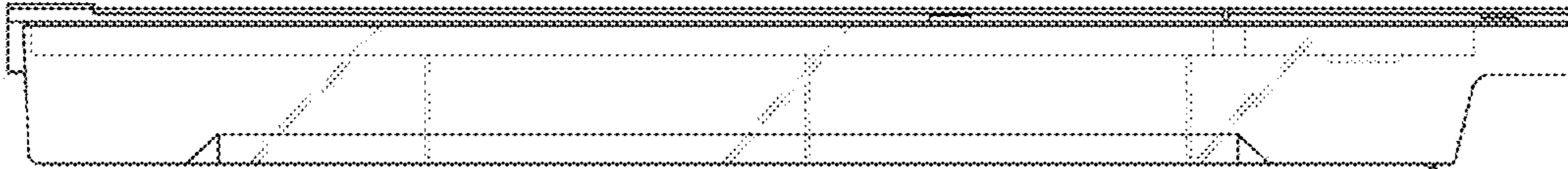


FIG. 5

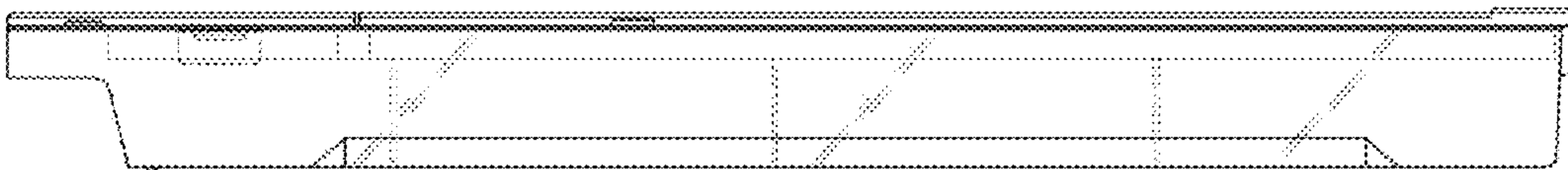


FIG. 6

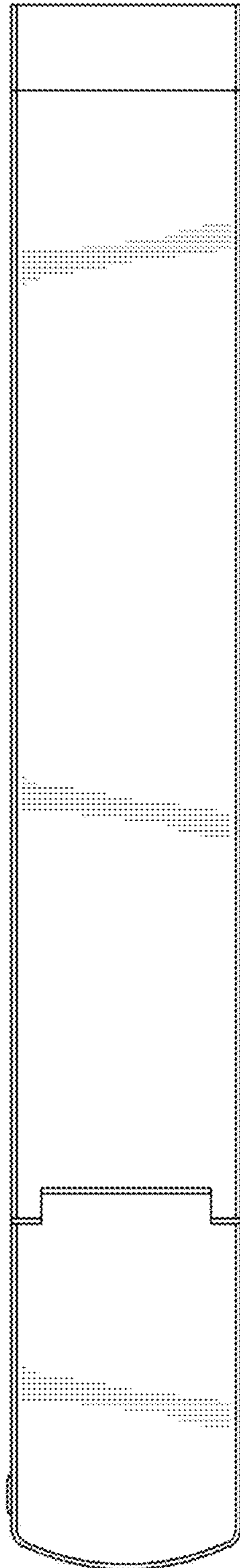


FIG. 7

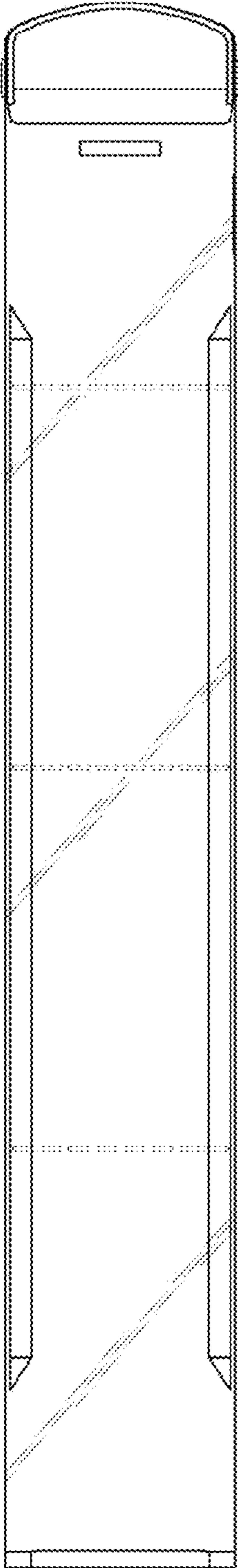


FIG. 8

