



US00D708887S

(12) **United States Design Patent**
Duran et al.

(10) **Patent No.:** **US D708,887 S**
(45) **Date of Patent:** **** Jul. 15, 2014**

(54) **PITCHER BODY**

- (71) Applicant: **CamelBak Products, LLC**, Petaluma, CA (US)
- (72) Inventors: **Leonard John Duran**, San Francisco, CA (US); **Lea Sandra Kobeli**, San Francisco, CA (US); **Sandrine Noelle Lebas**, San Francisco, CA (US)
- (73) Assignee: **CamelBak Products, LLC**, Petaluma, CA (US)

(**) Term: **14 Years**

(21) Appl. No.: **29/445,015**

(22) Filed: **Feb. 6, 2013**

(51) **LOC (10) Cl.** **07-01**

(52) **U.S. Cl.**

USPC **D7/316; D7/598**

(58) **Field of Classification Search**

CPC **A47J 27/58; A47J 31/00**

USPC **D7/316-319, 598, 600, 602; D23/207, D23/209; 220/829; 222/129.1-129.4; 99/275; D10/46.2**

See application file for complete search history.

(56) **References Cited**

U.S. PATENT DOCUMENTS

1,961,181	A	6/1934	Von Der Heydt	
2,038,545	A *	4/1936	Dammert	222/541.9
D127,970	S *	7/1941	Myers	D10/46.2
D173,455	S *	11/1954	Reinecke et al.	D7/317

(Continued)

FOREIGN PATENT DOCUMENTS

EP	0773172	5/1997
JP	9-165060	6/1997

(Continued)

OTHER PUBLICATIONS

English-language abstract of European Patent No. 0773172, European Patent Office, May 14, 1997.

(Continued)

Primary Examiner — Marianne Pandozzi

(74) *Attorney, Agent, or Firm* — DASCENZO Intellectual Property Law, P.C.

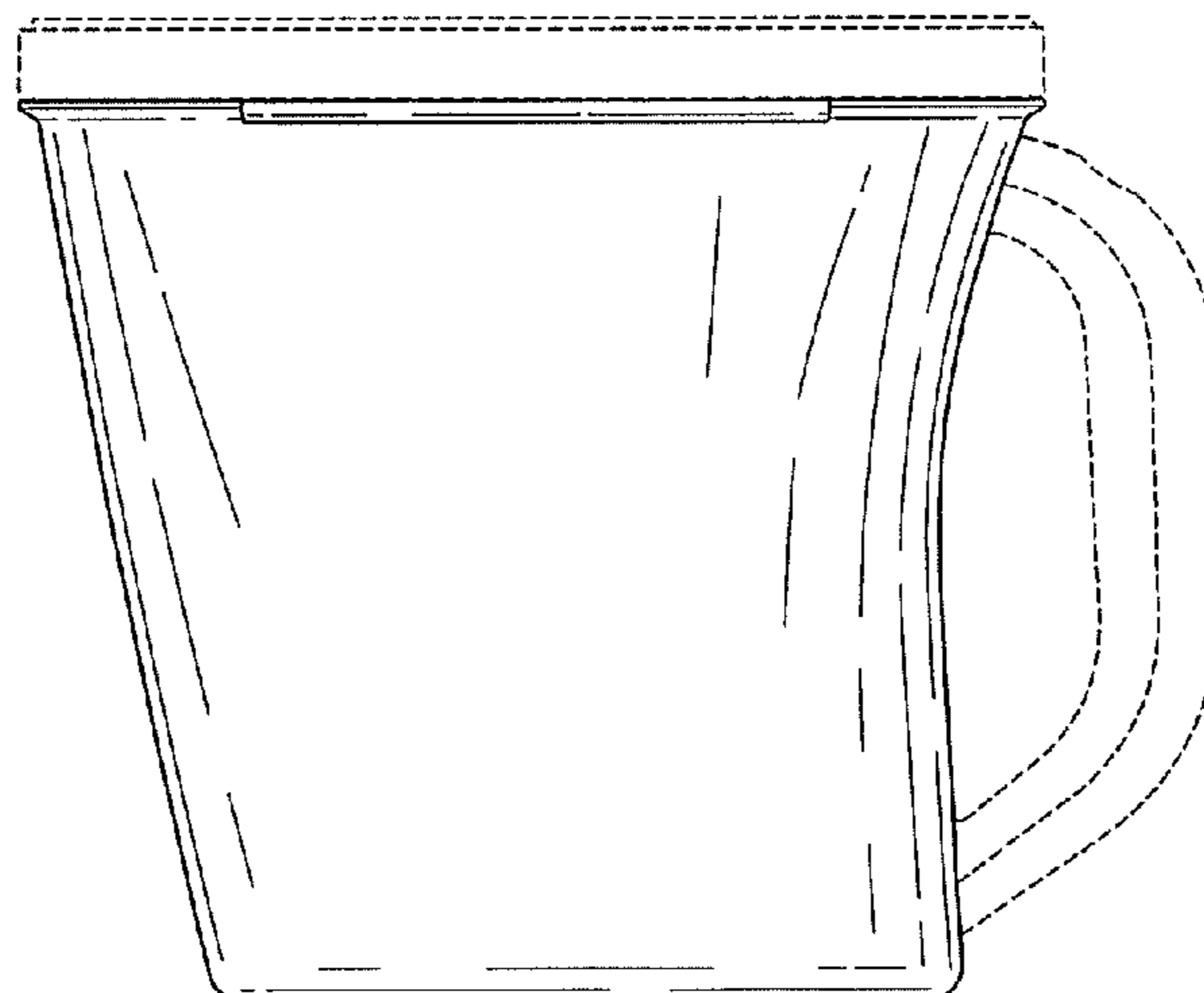
(57) **CLAIM**

The ornamental design for a pitcher body, as shown and described.

DESCRIPTION

FIG. 1 is a front top perspective view of the new design. FIG. 2 is a rear top perspective view of the new design. FIG. 3 is a right side view of the new design. FIG. 4 is a left side view of the new design. FIG. 5 is a front view of the new design. FIG. 6 is a rear view of the new design. FIG. 7 is a top view of the new design showing the inside of the pitcher body, which forms no part of the claimed design. FIG. 8 is a bottom view of the new design; and, FIG. 9 is a front top perspective view of the new design, together with an unclaimed associated lid for the pitcher body illustrated in dash-dot lines. The dash lines shown in the drawings illustrate portions of the pitcher body that form no part of the claimed design. The dash-dot lines shown in FIG. 9 illustrate environmental structure of an associated lid that forms no part of the claimed design. The shading lines shown in the drawings represent the approximate three-dimensional contour of the claimed design and are not intended to indicate surface decoration.

1 Claim, 4 Drawing Sheets



(56)

References Cited

U.S. PATENT DOCUMENTS

D187,612 S * 4/1960 Wistrand D7/317
 3,181,905 A 5/1965 Bisbing
 3,392,837 A 7/1968 Sanzenbacher
 D214,392 S * 6/1969 Gulotta D7/316
 3,490,805 A 1/1970 Di Pierro et al.
 3,688,942 A 9/1972 Mitchell et al.
 3,861,565 A * 1/1975 Rickmeier, Jr. 222/131
 4,314,651 A 2/1982 Gaiser et al.
 D272,704 S * 2/1984 Smith D10/46.2
 4,443,336 A 4/1984 Bennethum
 4,589,567 A 5/1986 Pircher
 4,605,499 A 8/1986 Wise
 4,609,125 A 9/1986 Willingham
 4,948,499 A 8/1990 Peranio
 D313,555 S * 1/1991 Jordi D7/612
 4,999,109 A 3/1991 Sabre
 5,009,364 A * 4/1991 Bolte 229/123.2
 5,040,834 A 8/1991 Kahl et al.
 5,050,623 A 9/1991 Yuhara et al.
 5,065,885 A 11/1991 Scaroni
 D323,874 S * 2/1992 Hirman et al. D23/209
 D331,023 S * 11/1992 Mulry et al. D10/46.2
 5,167,819 A 12/1992 Iana et al.
 5,186,830 A 2/1993 Rait
 5,275,307 A 1/1994 Freese
 5,415,774 A 5/1995 Cowan et al.
 D366,418 S 1/1996 Lown et al.
 5,641,065 A 6/1997 Owens et al.
 5,810,188 A 9/1998 Novakoski et al.
 5,846,418 A 12/1998 Thompson et al.
 5,914,045 A 6/1999 Palmer et al.
 6,013,180 A 1/2000 Wang
 6,103,114 A * 8/2000 Tanner et al. 210/232
 6,117,319 A 9/2000 Cranshaw
 D432,204 S * 10/2000 Brady D23/209
 D445,293 S 7/2001 Lillelund et al.
 6,253,947 B1 7/2001 Yang
 6,344,146 B1 2/2002 Moorehead et al.
 D459,941 S 7/2002 Miller
 6,415,947 B1 7/2002 Kim
 6,454,941 B1 9/2002 Cutler et al.
 D469,011 S 1/2003 Miller
 6,524,477 B1 2/2003 Hughes
 6,569,329 B1 5/2003 Nohren, Jr.
 D481,910 S 11/2003 Kim
 6,733,669 B1 5/2004 Crick
 D495,925 S 9/2004 Ulanski et al.
 6,789,692 B2 9/2004 Prezelin
 6,793,096 B1 9/2004 Seok
 6,805,795 B2 10/2004 Hawkins et al.
 D500,227 S 12/2004 Seok
 D506,346 S * 6/2005 Matsumoto et al. D7/317
 D508,825 S * 8/2005 Kim D7/590
 D524,087 S * 7/2006 Ali D7/317
 7,080,754 B2 7/2006 Lown

D526,839 S 8/2006 Boozer et al.
 7,090,089 B2 8/2006 Lown et al.
 D530,623 S * 10/2006 Shurtleff et al. D9/728
 D542,077 S * 5/2007 Claypool et al. D7/318
 7,243,816 B2 7/2007 Aochi
 D552,916 S * 10/2007 Bodum D7/318
 D567,584 S 4/2008 Boozer et al.
 D573,845 S * 7/2008 Yang et al. D7/612
 D574,924 S * 8/2008 Horiuchi et al. D23/209
 7,427,355 B2 9/2008 Chau
 7,507,338 B2 3/2009 Bommi et al.
 7,513,278 B2 4/2009 Hengesperger et al.
 D592,454 S 5/2009 Boozer et al.
 7,585,409 B2 9/2009 Bommi et al.
 D602,731 S * 10/2009 Mankowitz D7/319
 D616,242 S * 5/2010 Twycross D7/321
 D618,032 S * 6/2010 Kulikov et al. D7/316
 7,753,223 B2 7/2010 Boozer et al.
 D623,465 S * 9/2010 Sheppard et al. D7/318
 D623,893 S 9/2010 Smyers
 7,854,344 B2 12/2010 Suk
 D630,895 S * 1/2011 Sheppard et al. D7/397
 D636,631 S * 4/2011 Muddana et al. D7/392
 D641,196 S * 7/2011 Gaydon D7/316
 8,038,025 B2 10/2011 Stark et al.
 D651,446 S * 1/2012 Sheppard et al. D7/318
 D682,003 S * 5/2013 Kuzmin et al. D7/319
 D683,176 S * 5/2013 Kuzmin et al. D7/319
 8,529,120 B2 * 9/2013 Ulanski 366/314
 8,636,178 B2 * 1/2014 McGinley et al. 222/210
 2002/0060177 A1 5/2002 Conrad
 2006/0226064 A1 10/2006 Beckman et al.
 2009/0001011 A1 1/2009 Knipmeyer et al.
 2011/0073551 A1 3/2011 Reid et al.

FOREIGN PATENT DOCUMENTS

JP 9-301396 11/1997
 JP 9-301397 11/1997
 JP 2001-114319 4/2001
 JP 2004-244111 9/2004
 WO WO 00/09240 2/2000

OTHER PUBLICATIONS

English-language abstract of Japanese Patent No. 9-165060, European Patent Office, Jun. 24, 1997.
 English-language abstract of Japanese Patent No. 9-301396, European Patent Office, Nov. 25, 1997.
 English-language abstract of Japanese Patent No. 9-301397, European Patent Office, Nov. 25, 1997.
 English-language abstract of Japanese Patent No. 2001-114319, European Patent Office, Apr. 24, 2001.
 English-language abstract of Japanese Patent No. 2004-244111, European Patent Office, Sep. 2, 2004.

* cited by examiner

Fig. 1

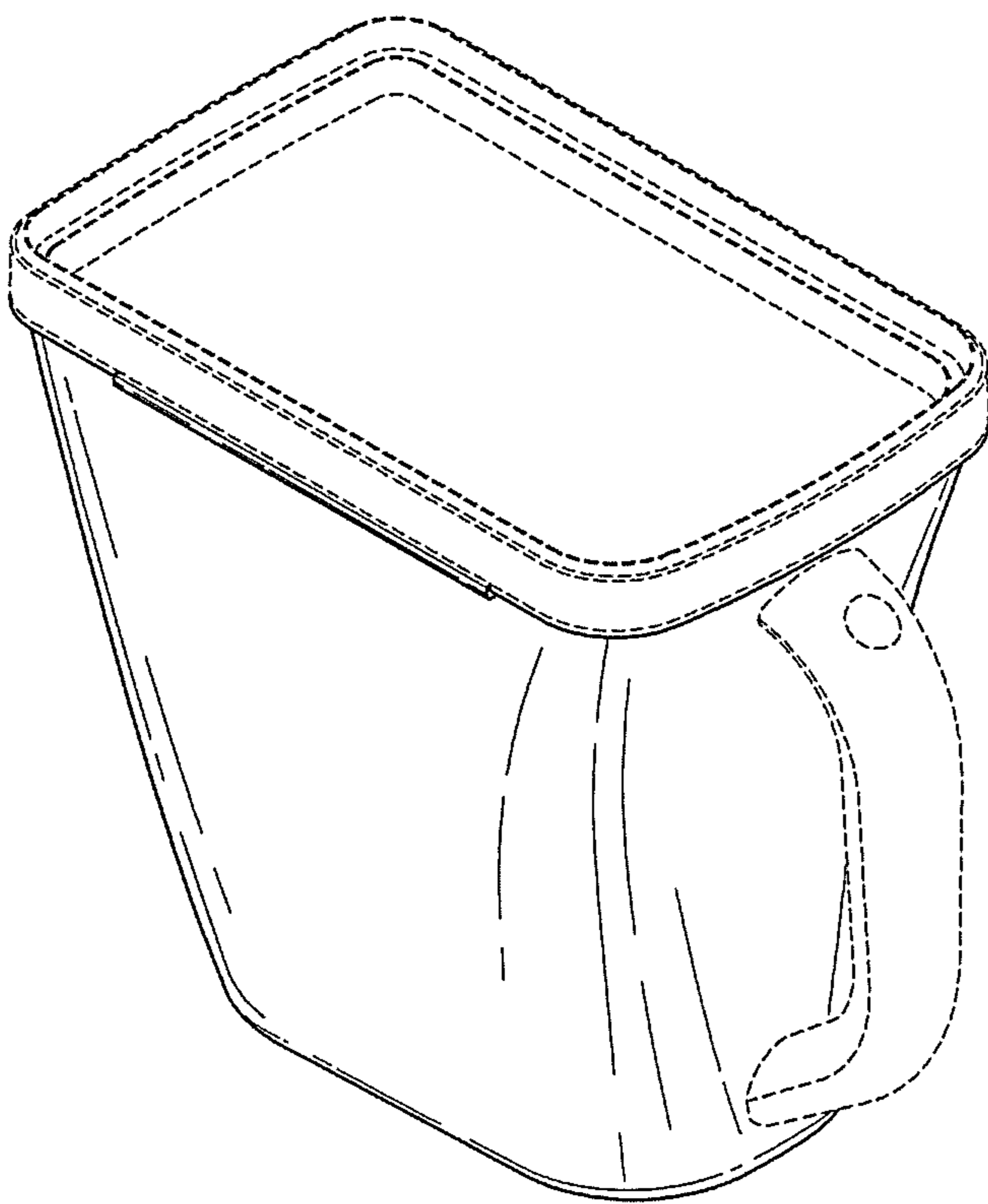
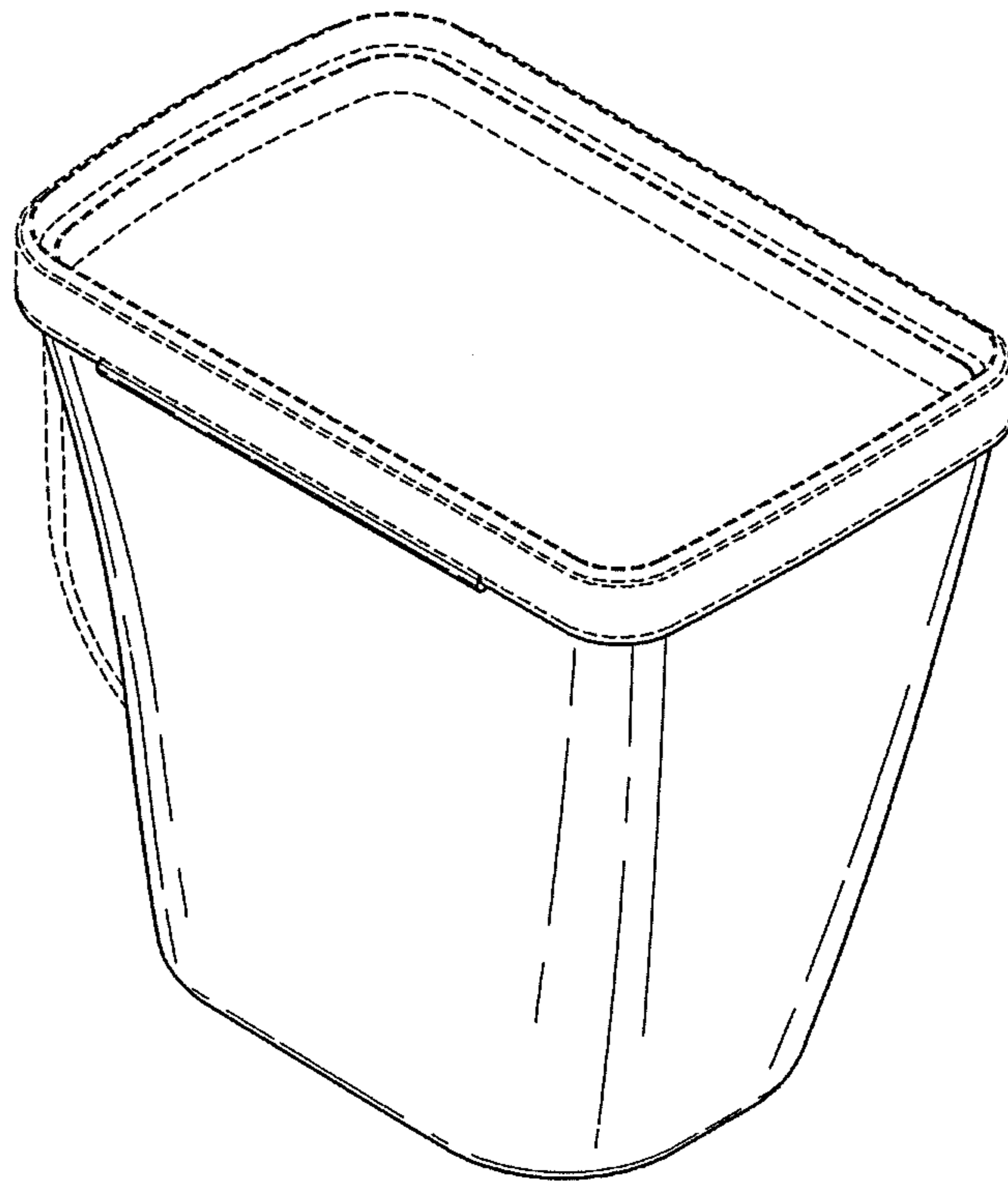


Fig. 2

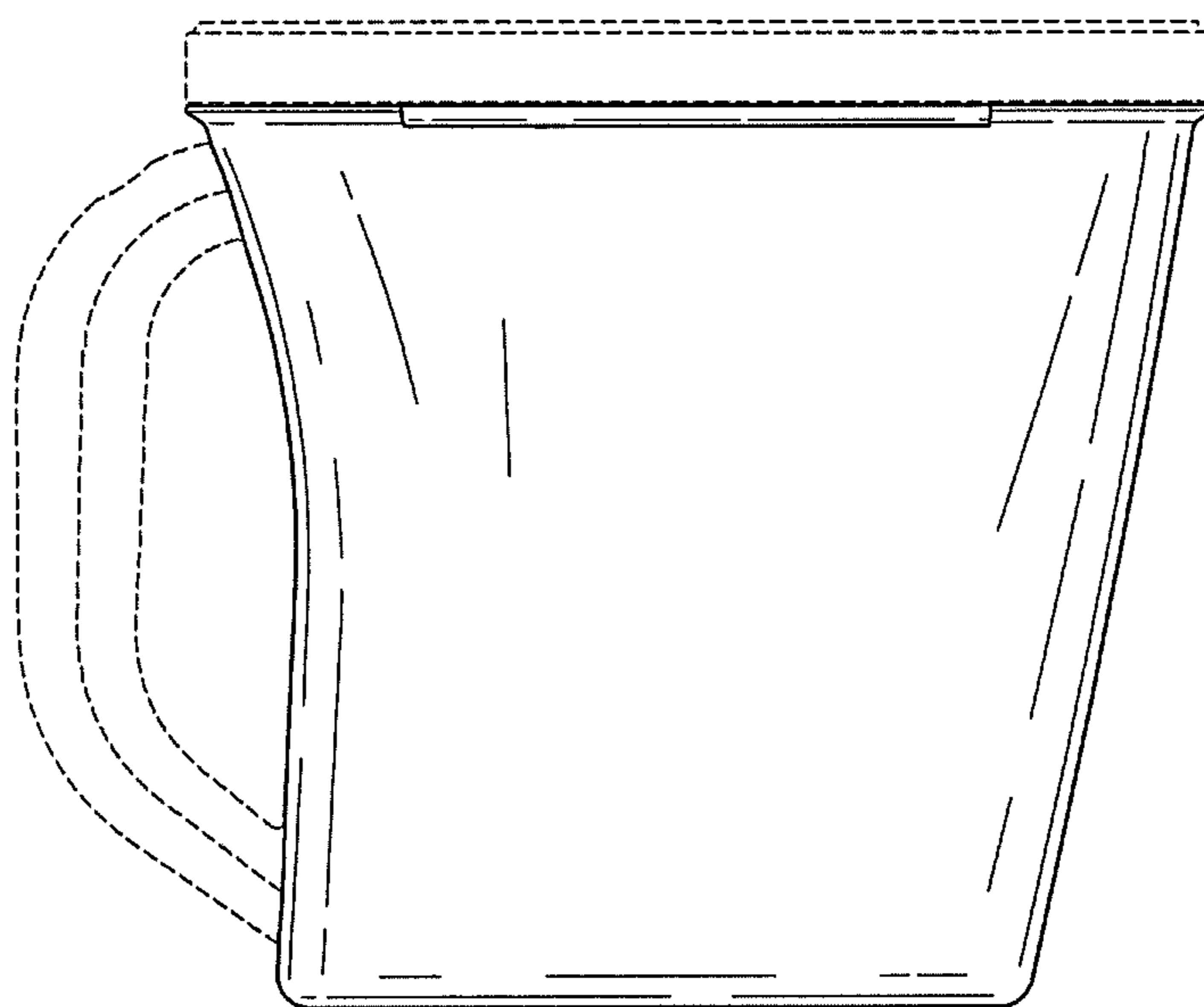


Fig. 3

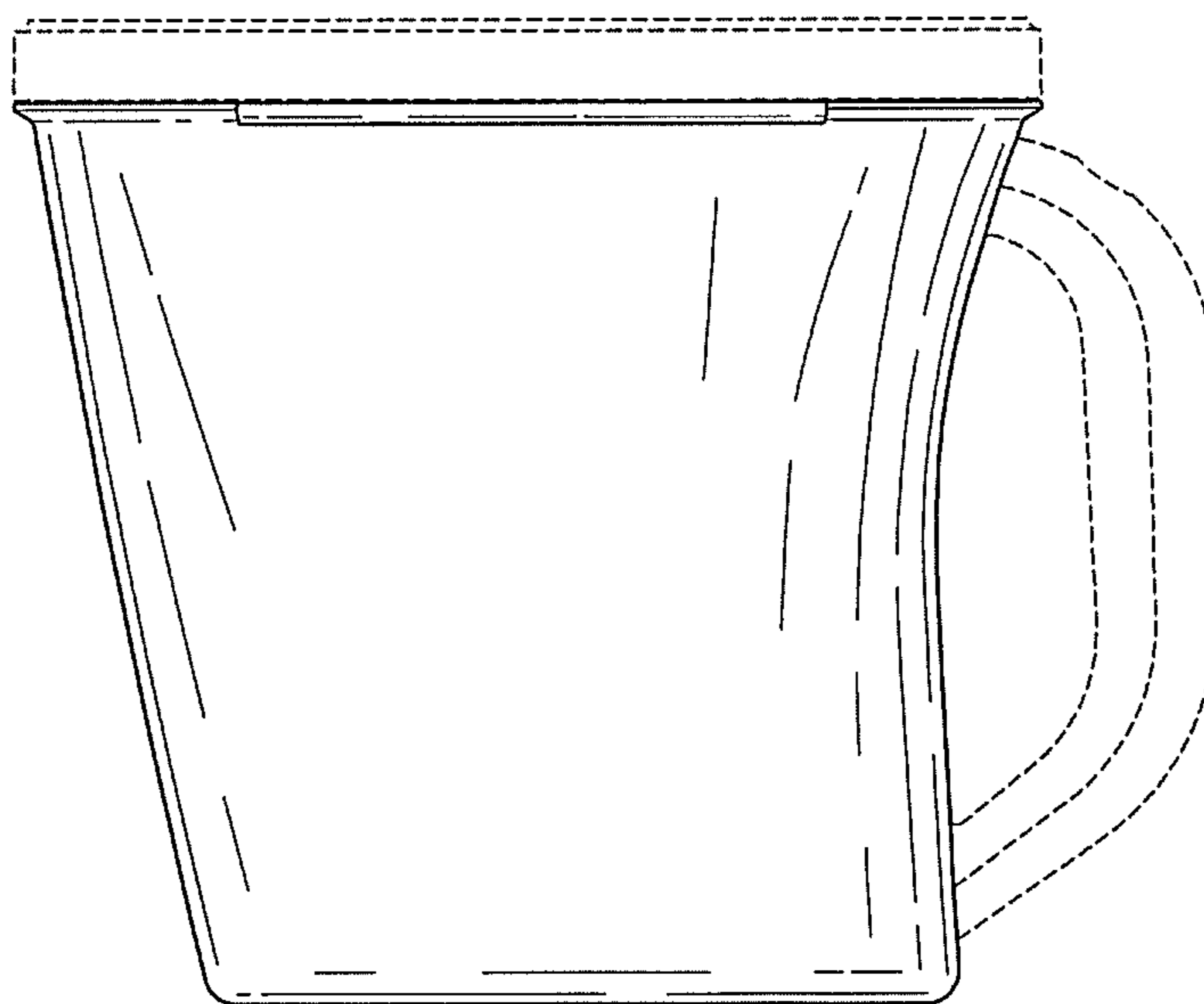


Fig. 4

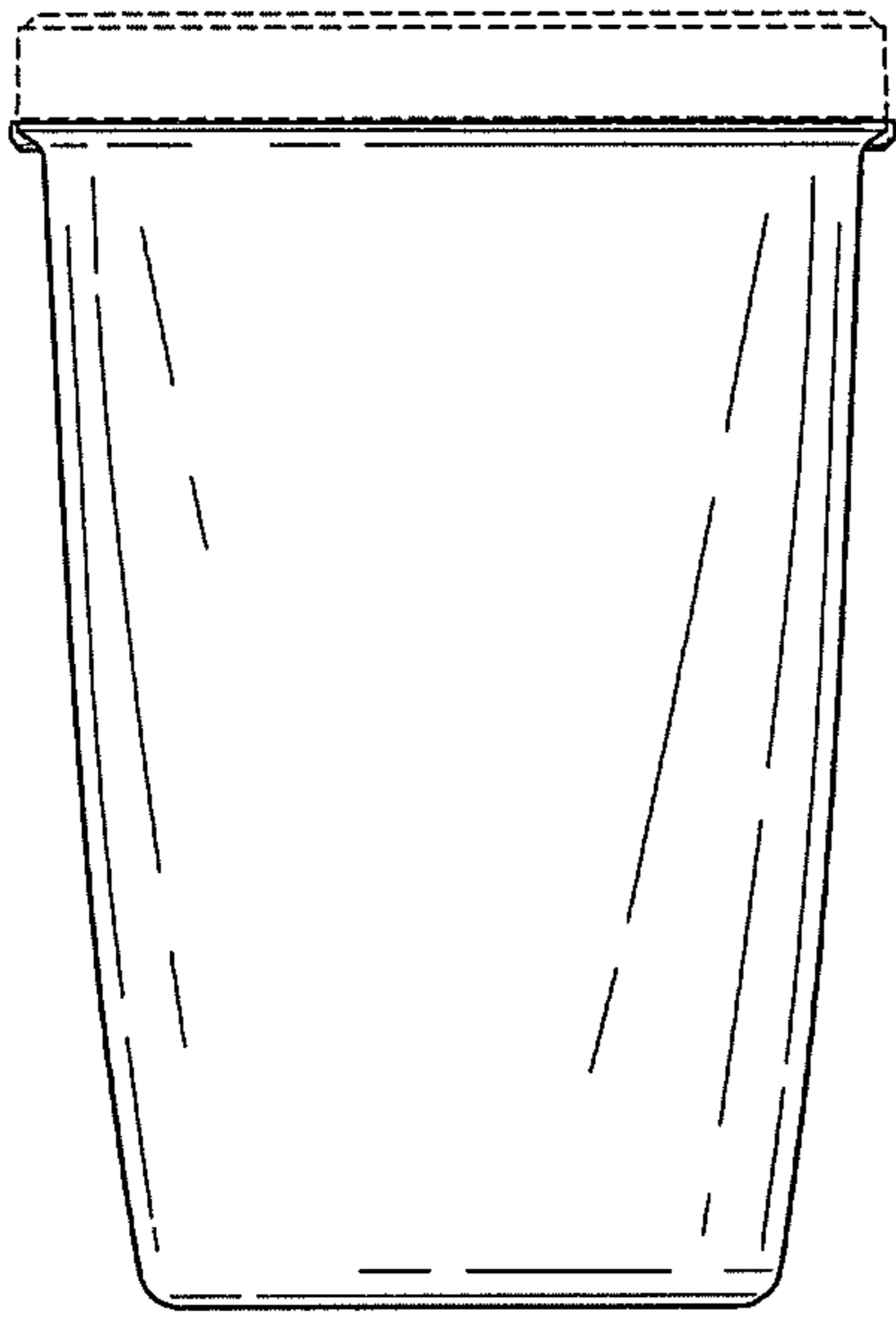


Fig. 5

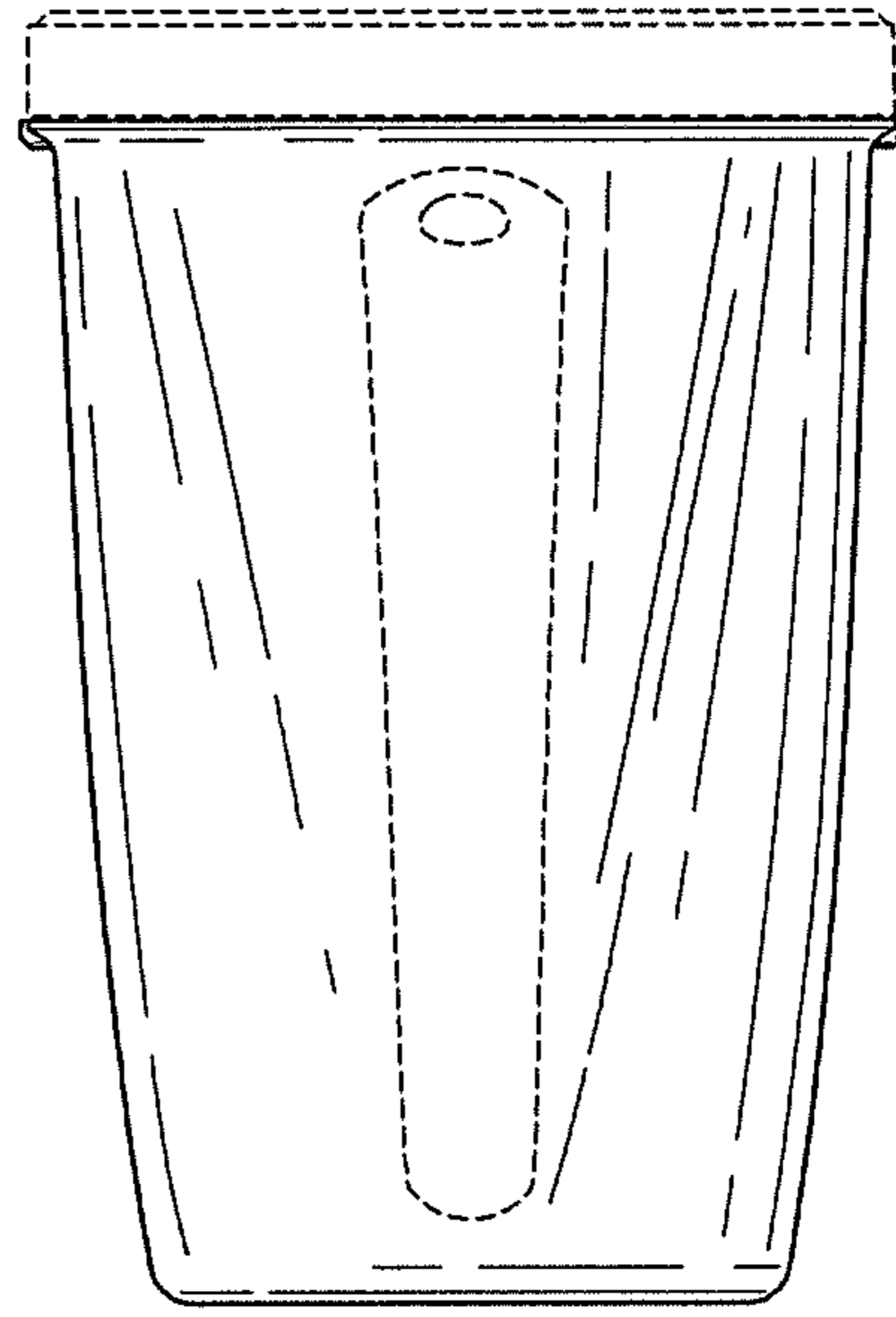


Fig. 6

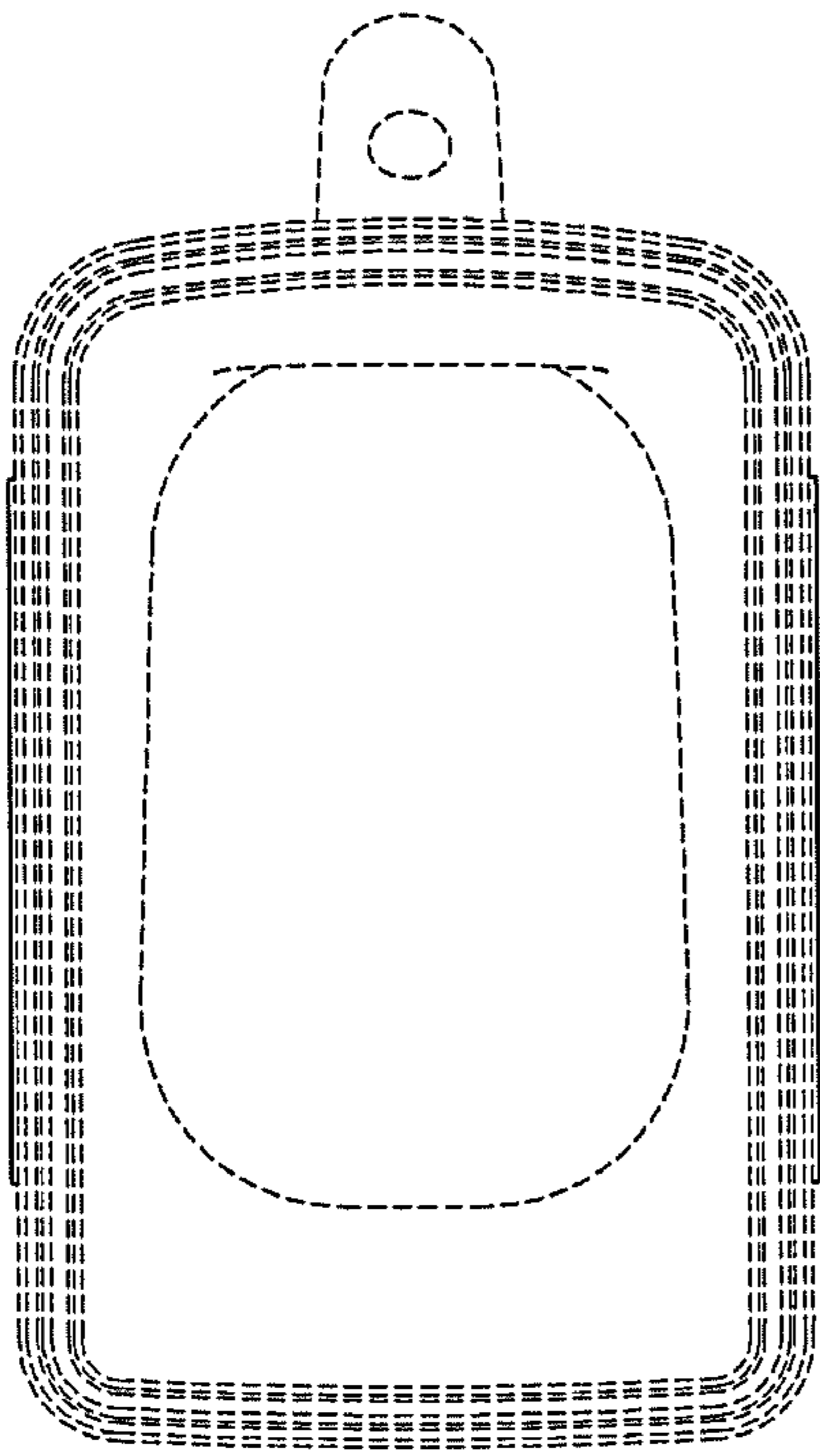


Fig. 7

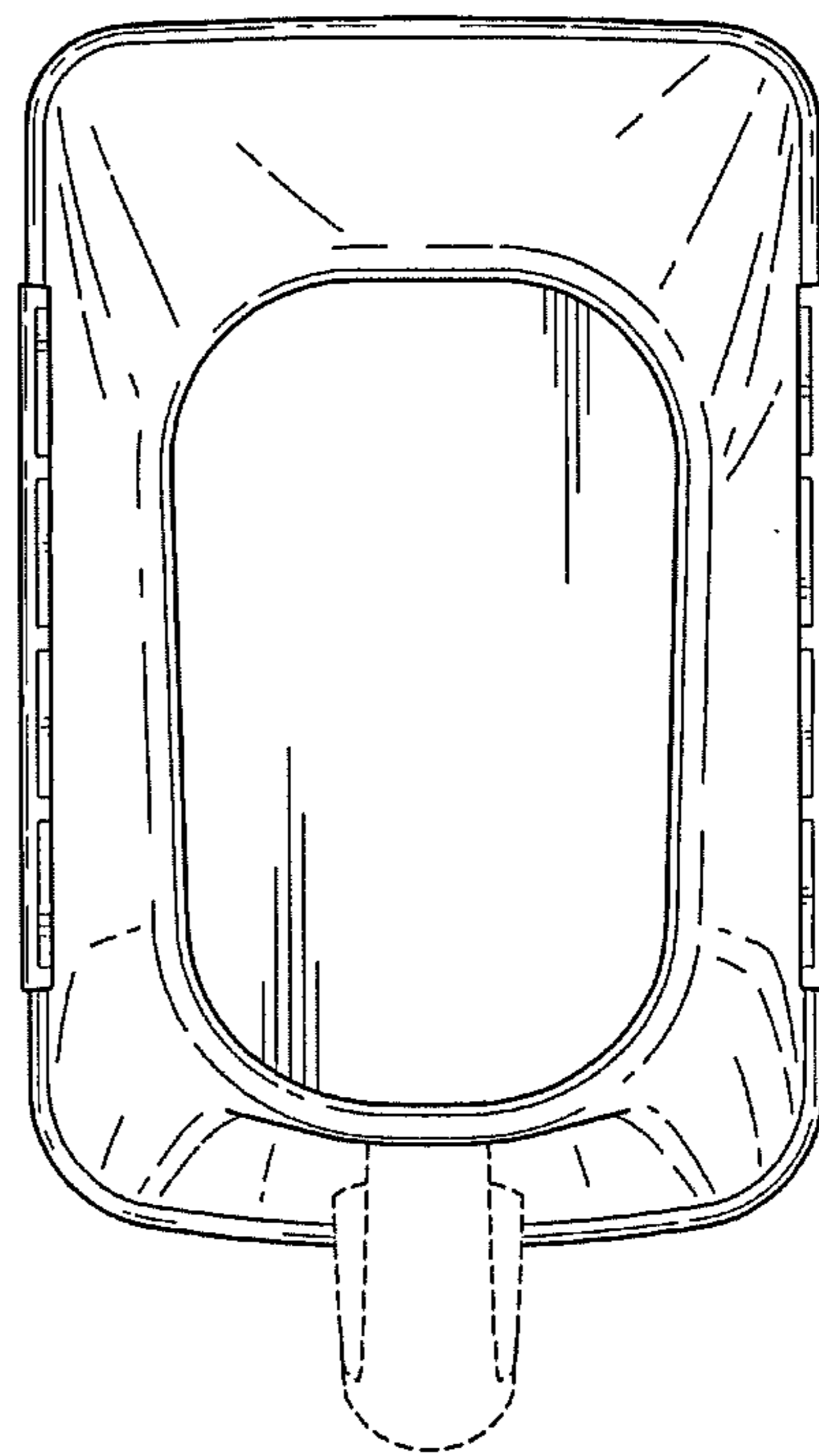


Fig. 8

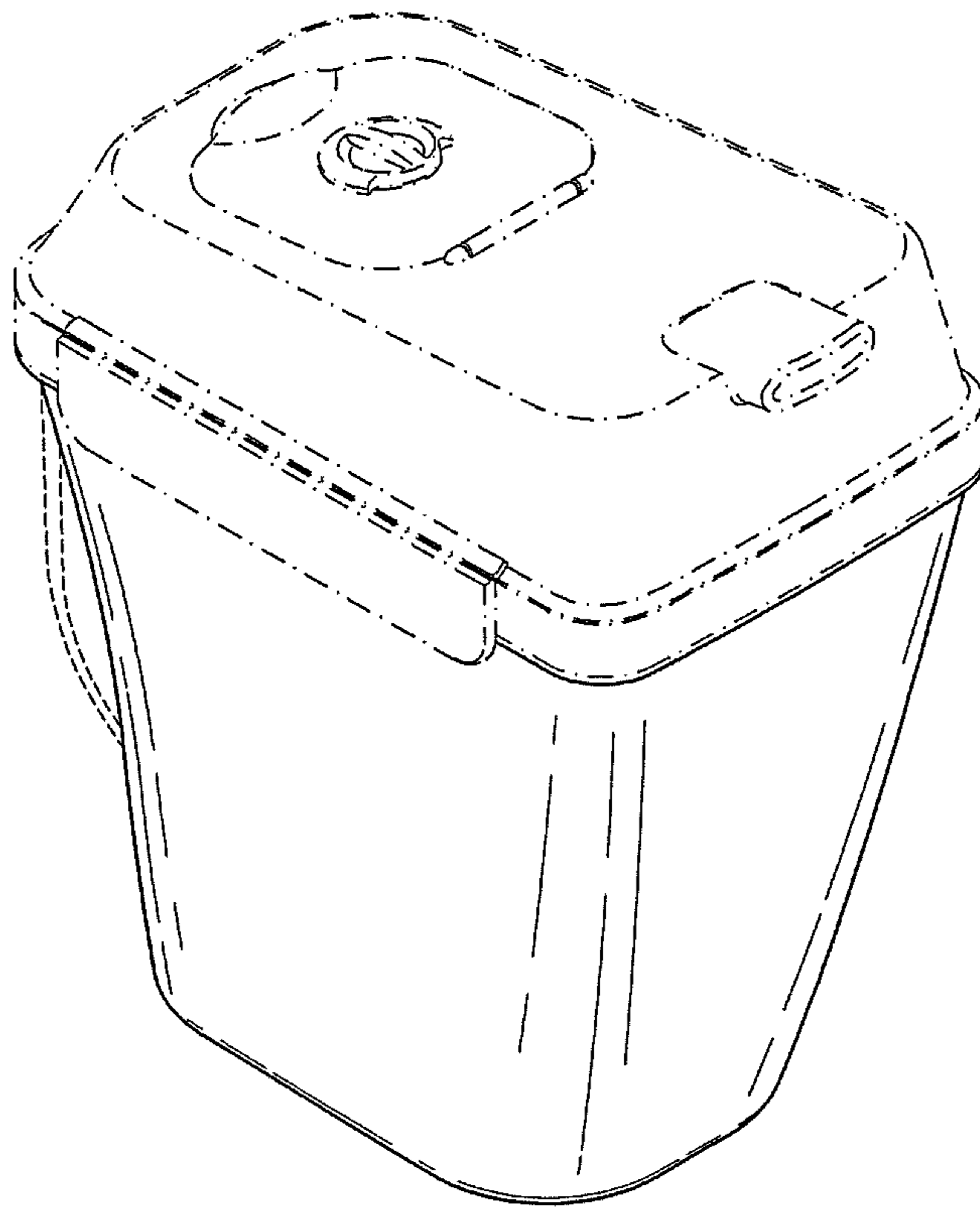


Fig. 9