



US00D708886S

(12) **United States Design Patent**  
**Braca**

(10) **Patent No.:** **US D708,886 S**

(45) **Date of Patent:** **\*\* Jul. 15, 2014**

(54) **HEADREST FOR SEATS**

(71) Applicant: **Optimares S.p.A., Sezze Scalo (IT)**

(72) Inventor: **Alessandro Braca, Sezze Scalo (IT)**

(73) Assignee: **Optimares S.p.A., Sezze Scalo (LT) (IT)**

(\*\*) Term: **14 Years**

(21) Appl. No.: **29/454,274**

(22) Filed: **May 8, 2013**

(30) **Foreign Application Priority Data**

Nov. 9, 2012 (IT) ..... 002133561-0002

(51) **LOC (10) Cl.** ..... **06-01**

(52) **U.S. Cl.**  
USPC ..... **D6/716.5**

(58) **Field of Classification Search**  
USPC ..... D6/333-336, 342-356, 360-381, 388,  
D6/403, 491-502, 692, 708, 708.21, 716,  
D6/716.2-716.5; 244/118.6, 122 R;  
297/188.04, 217.3, 232, 257, 271.6,  
297/284.4-284.5, 291, 297, 302.4, 353,  
297/344.1, 354.1, 362.13, 396, 411.2,  
297/411.27-411.29, 411.43, 423.1, 423.12,  
297/440.11, 440.15, 440.21-440.24, 448.1,  
297/451.4, 452.13, 452.19, 452.21, 452.27,  
297/452.29, 452.3, 452.41, 452.56, 452.64,  
297/474

See application file for complete search history.

(56) **References Cited**

**U.S. PATENT DOCUMENTS**

D138,510 S \* 8/1944 Dreyfuss ..... D6/356  
D186,105 S \* 9/1959 Clifford Dietz et al. .... D6/356  
D198,498 S \* 6/1964 Malitte ..... D6/356

D198,783 S \* 8/1964 Chester Barecki ..... D6/356  
D209,743 S \* 1/1968 Mulhauser ..... D6/366  
D225,193 S \* 11/1972 Barecki ..... D6/356  
D239,148 S \* 3/1976 Smith et al. .... D6/342  
D250,071 S \* 10/1978 Dickerson ..... D6/356  
D257,707 S \* 12/1980 Marrujo ..... D6/342  
D267,372 S \* 12/1982 Long et al. .... D6/356  
D268,972 S \* 5/1983 White ..... D6/356  
D277,526 S \* 2/1985 White ..... D6/356  
4,526,421 A \* 7/1985 Brennan et al. .... 297/232  
D336,379 S \* 6/1993 Veneruso ..... D6/356  
6,241,188 B1 \* 6/2001 Simpson et al. .... 244/122 R  
D468,917 S \* 1/2003 Veneruso ..... D6/356  
D503,865 S \* 4/2005 Eldoy ..... D6/500  
D505,796 S \* 6/2005 Johnson ..... D6/356  
D665,182 S \* 8/2012 Hilton et al. .... D6/360  
8,393,680 B2 \* 3/2013 Zimmermann et al. .... 297/257  
D686,422 S \* 7/2013 Robinson ..... D6/356  
2003/0094842 A1 \* 5/2003 Williamson ..... 297/362.13  
2004/0021349 A1 \* 2/2004 Longtin et al. .... 297/217.3  
2004/0195875 A1 \* 10/2004 Skelly ..... 297/217.3  
2004/0212228 A1 \* 10/2004 Skelly et al. .... 297/217.3

\* cited by examiner

*Primary Examiner* — Ricky Pham

(74) *Attorney, Agent, or Firm* — Hershkovitz & Associates, PLLC; Abe Hershkovitz

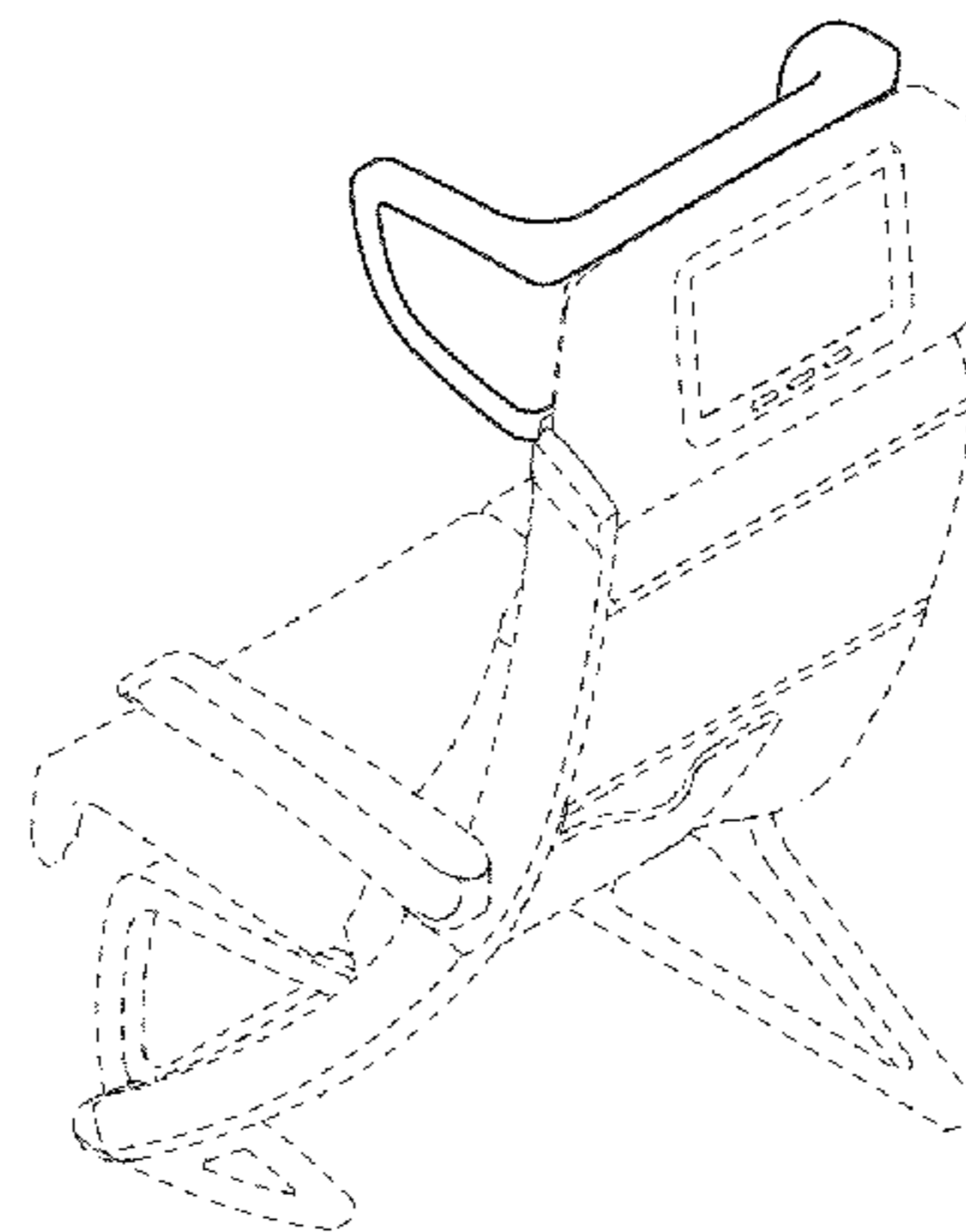
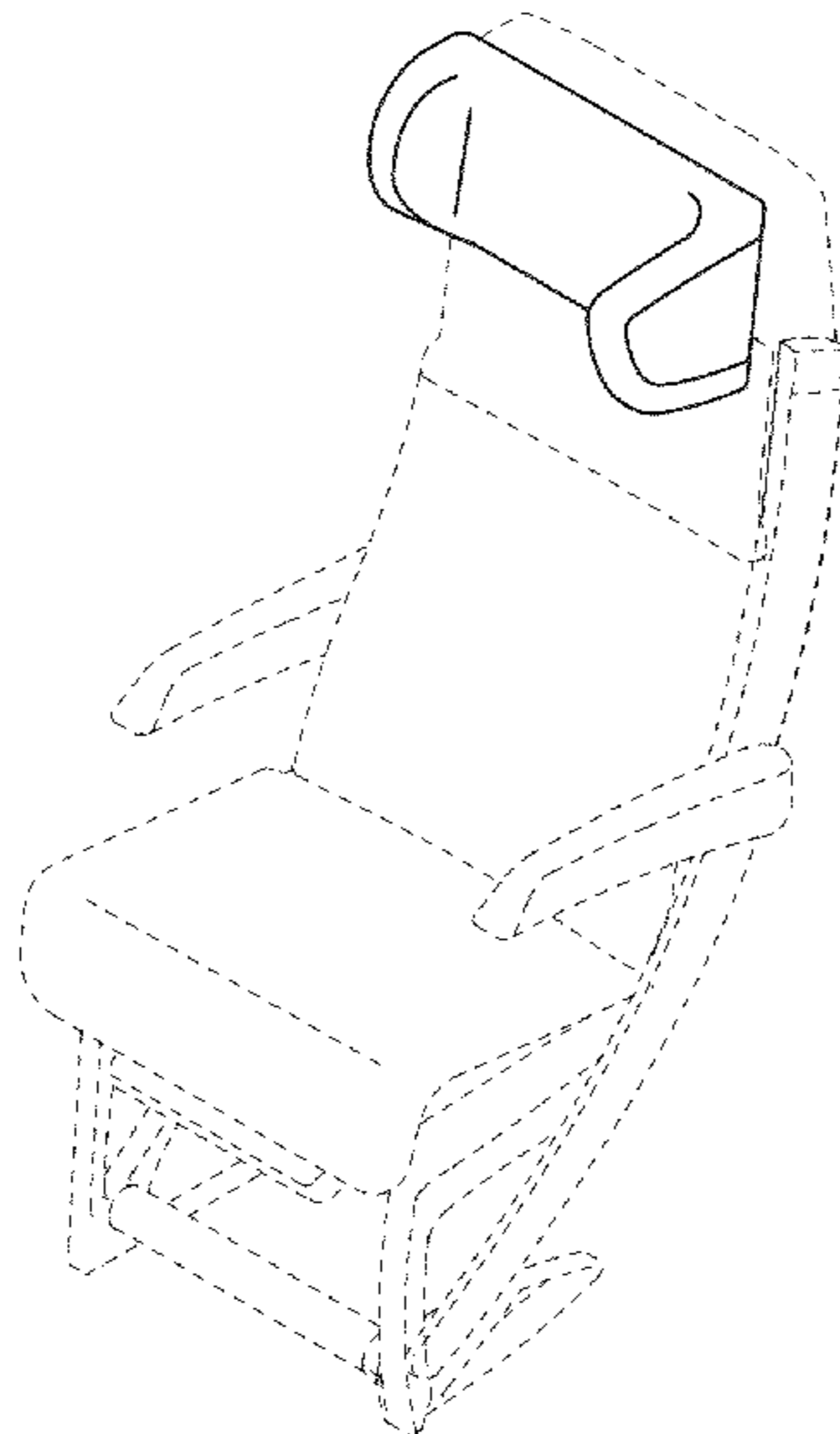
(57) **CLAIM**

The ornamental design for a headrest for seats, as shown and described.

**DESCRIPTION**

FIG. 1 is a perspective front view of a headrest for seats;  
FIG. 2 is a perspective rear view thereof;  
FIG. 3 is a left side view thereof;  
FIG. 4 is a right side view thereof;  
FIG. 5 is a front view thereof; and,  
FIG. 6 is a top view thereof.  
The broken lines shown in the drawings are for illustrative purposes only and form no part of the claimed design.

**1 Claim, 3 Drawing Sheets**



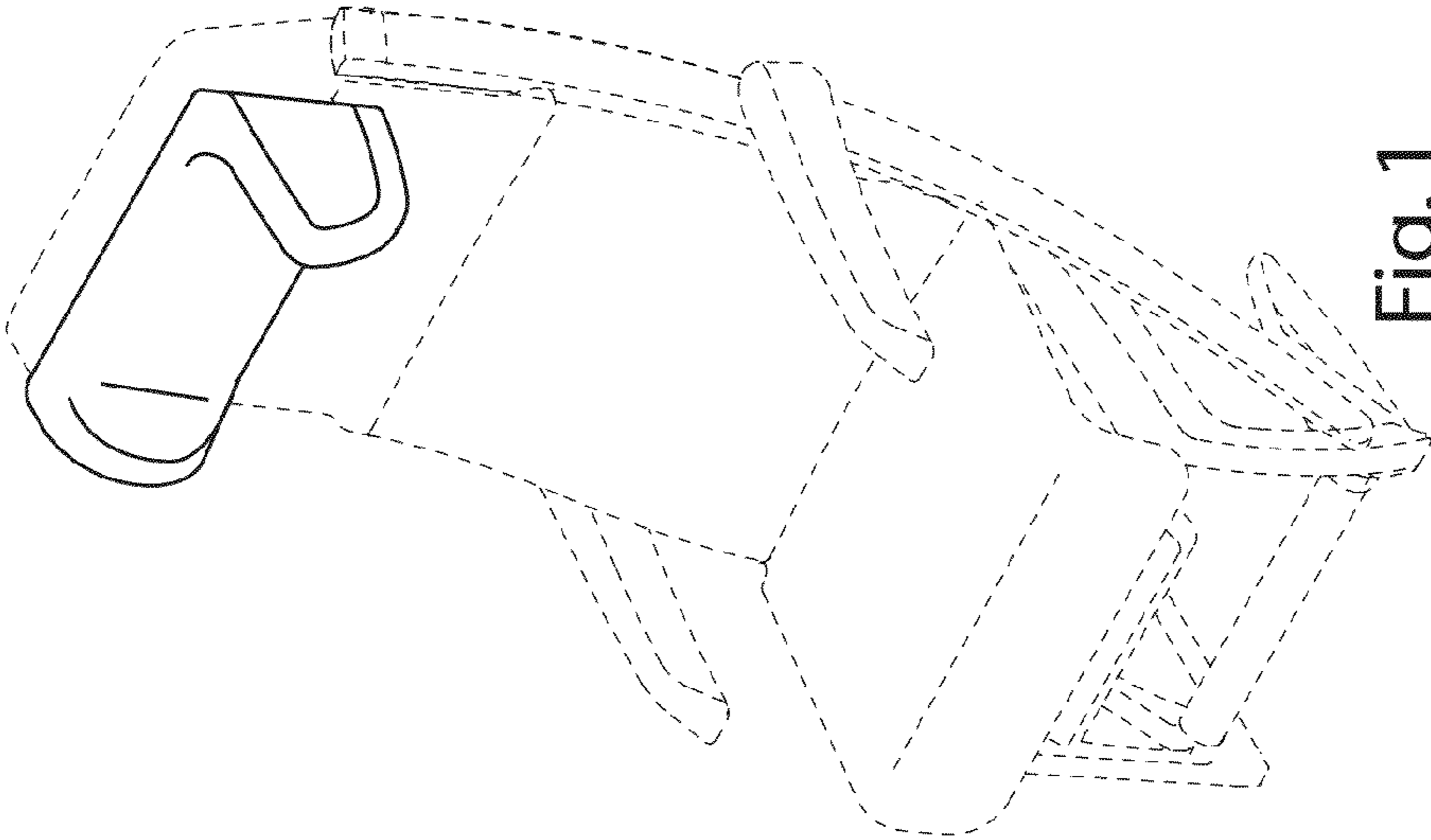


Fig. 1

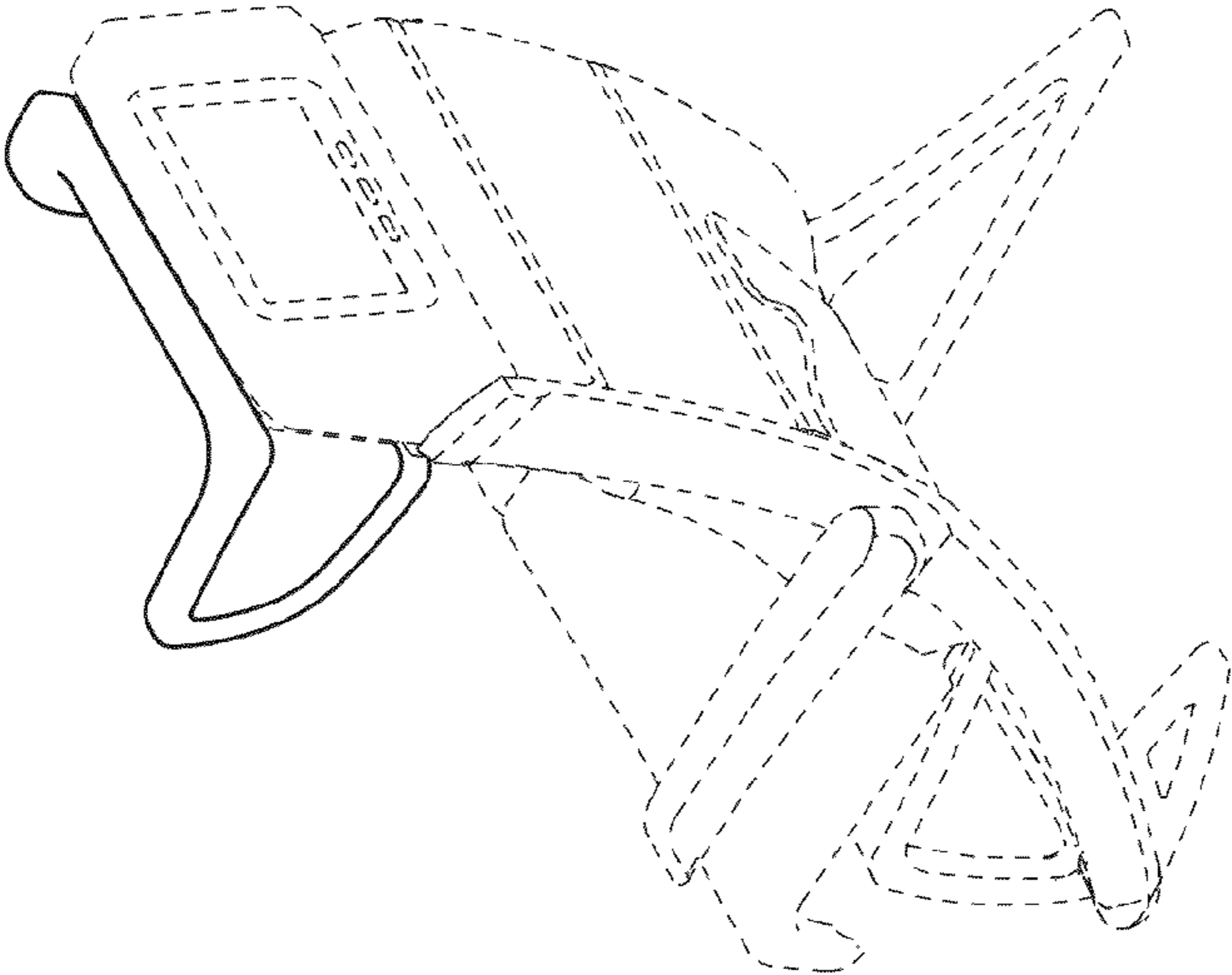


Fig. 2

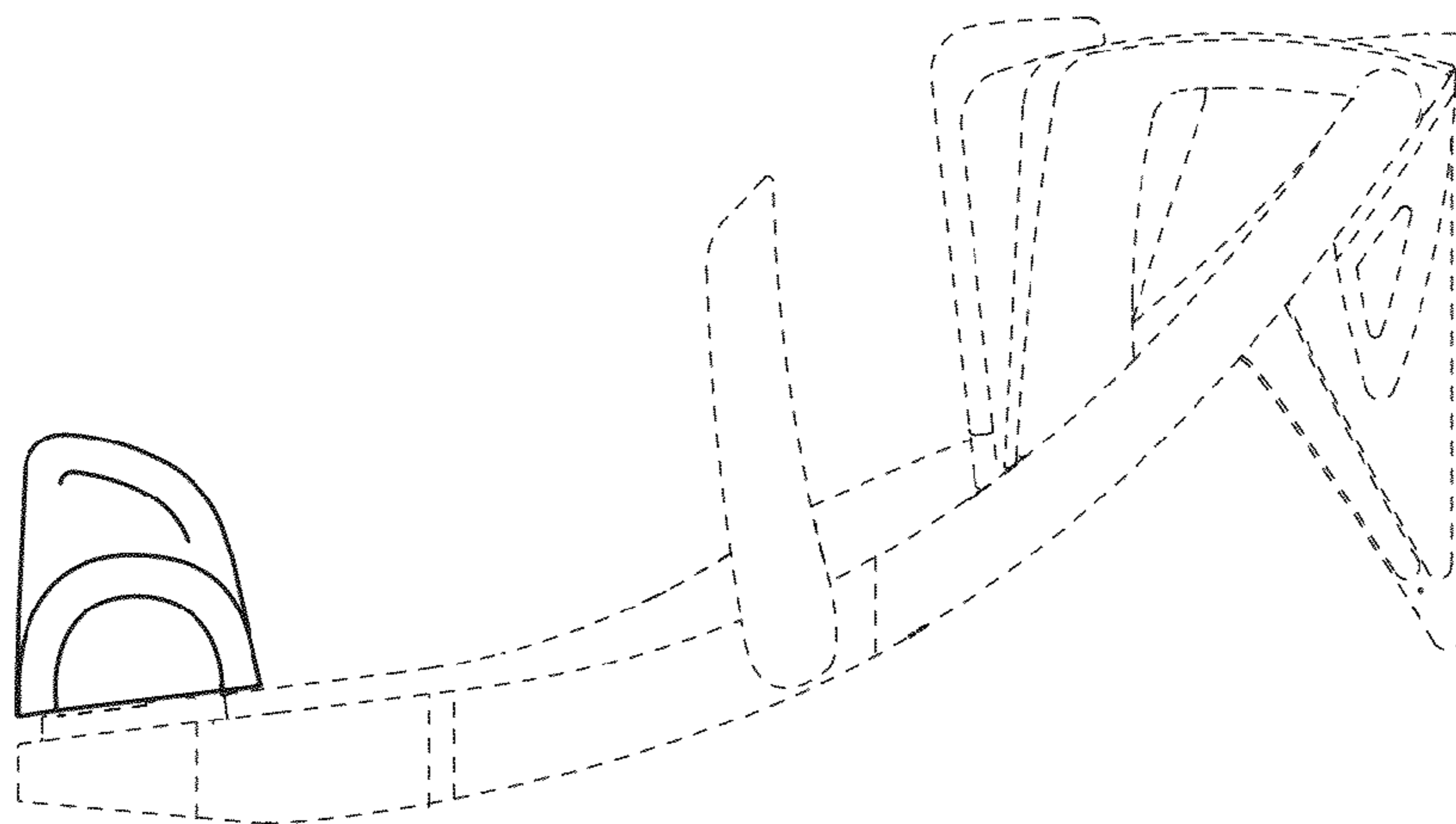


Fig. 4

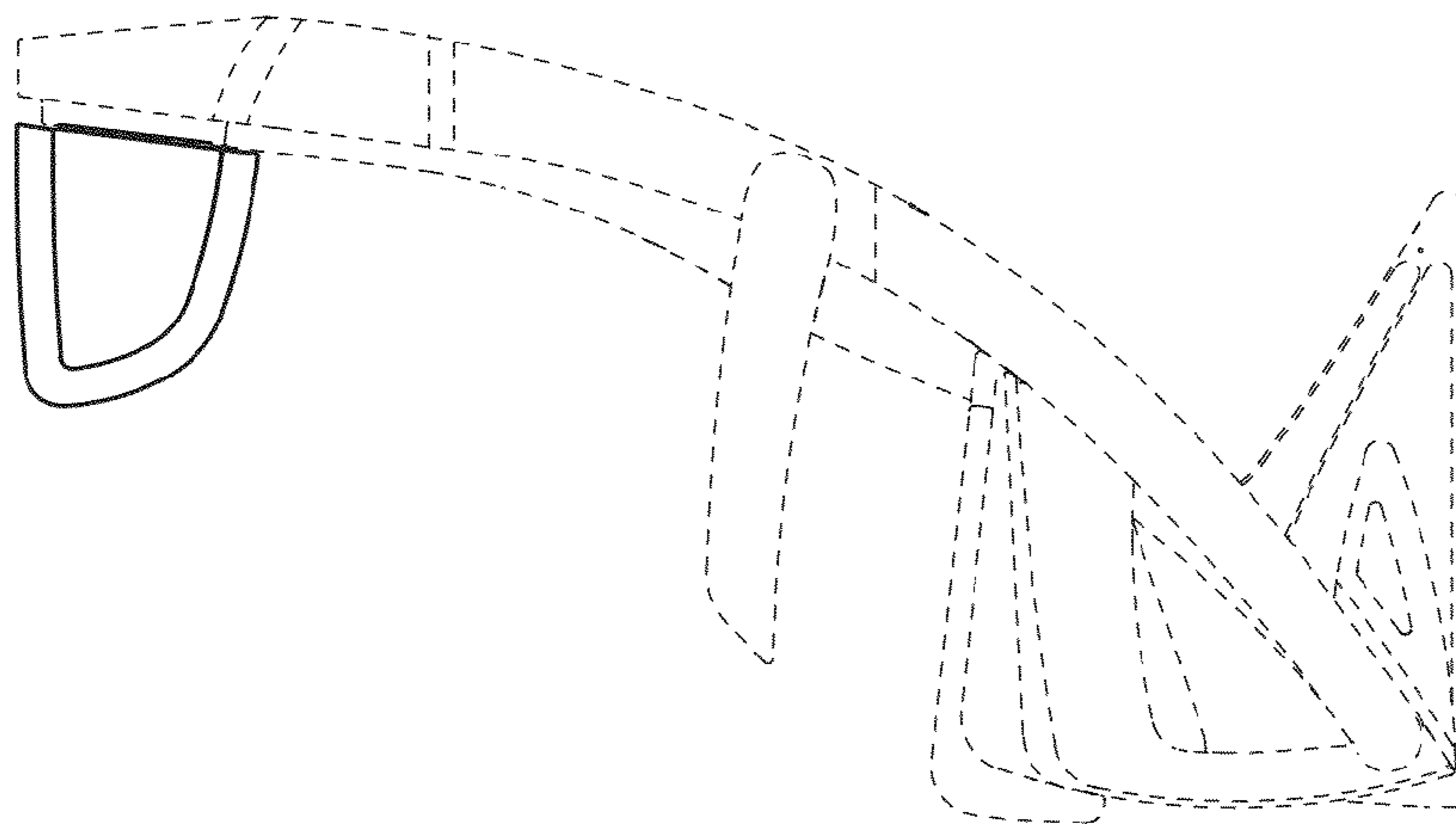


Fig. 3

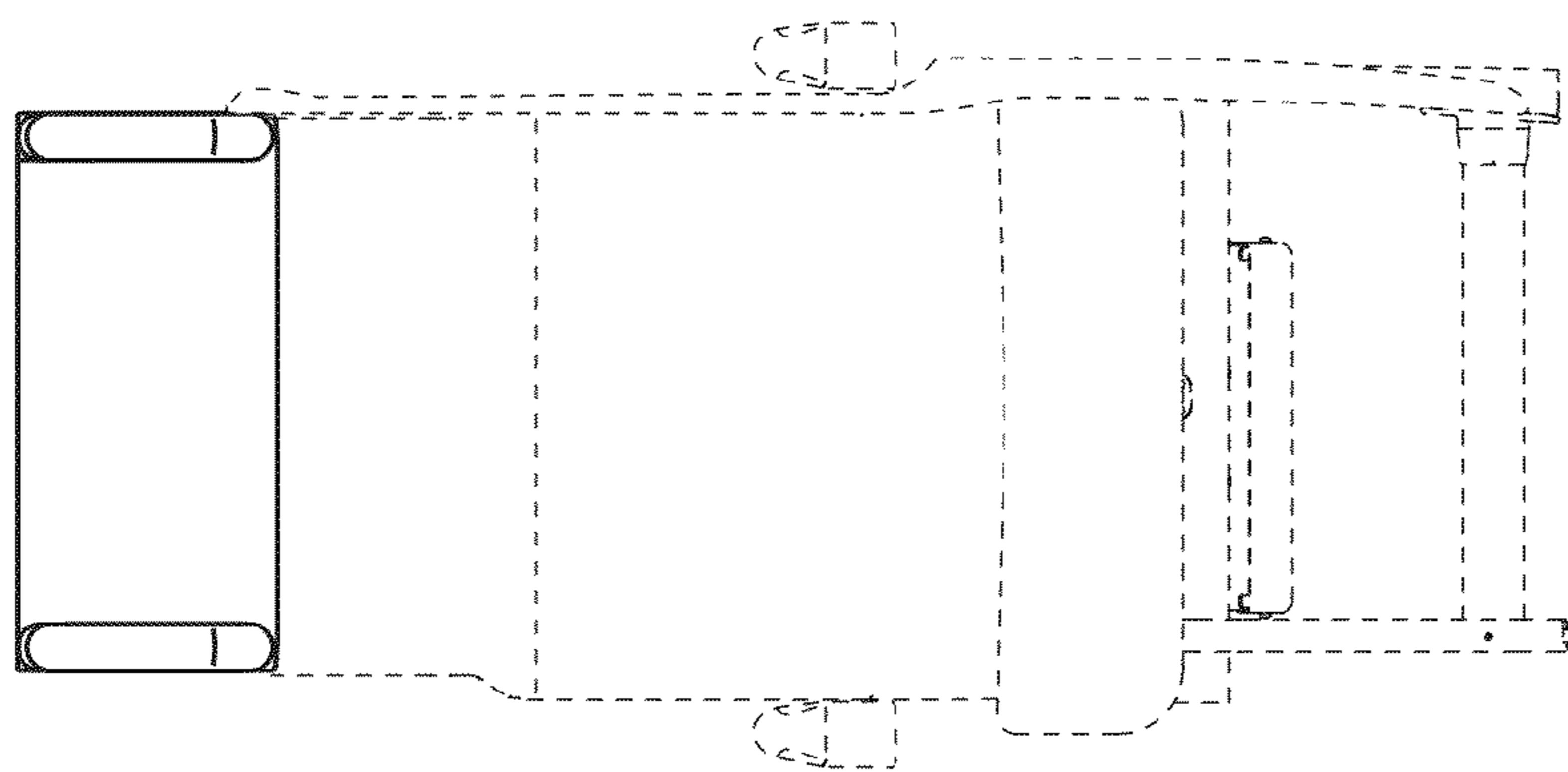


Fig. 5

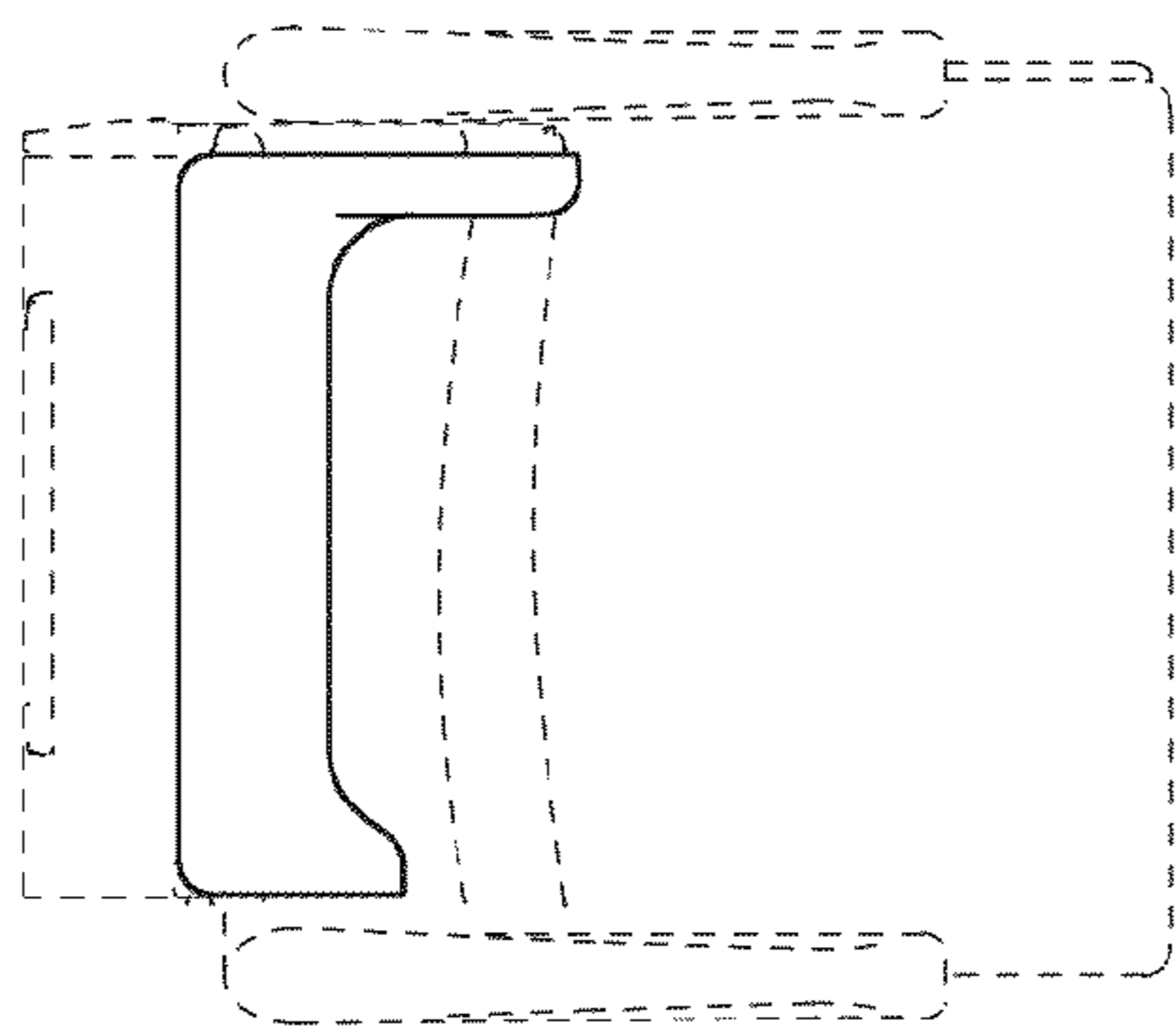


Fig. 6