



US00D708885S

(12) **United States Design Patent**
Tsai

(10) **Patent No.:** **US D708,885 S**
(45) **Date of Patent:** **** Jul. 15, 2014**

- (54) **CHAIR BACK FRAME**
- (71) Applicant: **Hsuan-Chin Tsai**, Chai-Yi Hsien (TW)
- (72) Inventor: **Hsuan-Chin Tsai**, Chai-Yi Hsien (TW)
- (73) Assignee: **Zhongshan Shi Songlin Furniture Co., Ltd**, Zhongshan (CN)

(**) Term: **14 Years**

(21) Appl. No.: **29/479,935**

(22) Filed: **Jan. 22, 2014**

(51) **LOC (10) Cl.** **06-01**

(52) **U.S. Cl.**
USPC **D6/716.4**

(58) **Field of Classification Search**
USPC D6/334-336, 364, 365, 366, 369, 374,
D6/376, 379, 380, 716, 716.1, 716.2,
D6/716.3, 716.4; 297/284.4, 284.7, 353,
297/354.11, 452.18, 452.29, 452.3, 452.56,
297/452.64

See application file for complete search history.

(56) **References Cited**

U.S. PATENT DOCUMENTS

6,843,530	B1 *	1/2005	Wu	297/284.4
D509,975	S *	9/2005	Pan	D6/716.4

7,278,688	B1 *	10/2007	Hung	297/354.11
D641,572	S *	7/2011	Tsai	D6/716.4
D644,466	S *	9/2011	Wu	D6/716.4
D645,684	S *	9/2011	Chen	D6/716.4
D661,916	S *	6/2012	Chen	D6/366
D673,399	S *	1/2013	Gu	D6/716.4
D683,551	S *	6/2013	Wu	D6/366
D698,167	S *	1/2014	Wan et al.	D6/366
2005/0189810	A1 *	9/2005	Wu	297/452.29
2009/0302663	A1 *	12/2009	Allison et al.	297/452.18

* cited by examiner

Primary Examiner — Mimoso De

(74) *Attorney, Agent, or Firm* — Alan Kamrath; Kamrath IP Lawfirm, P.A.

(57) **CLAIM**

The ornamental design for a chair back frame, as shown and described.

DESCRIPTION

FIG. 1 is a perspective view of a chair back frame, showing my new design;

FIG. 2 is a front elevational view thereof;

FIG. 3 is a rear elevational view thereof;

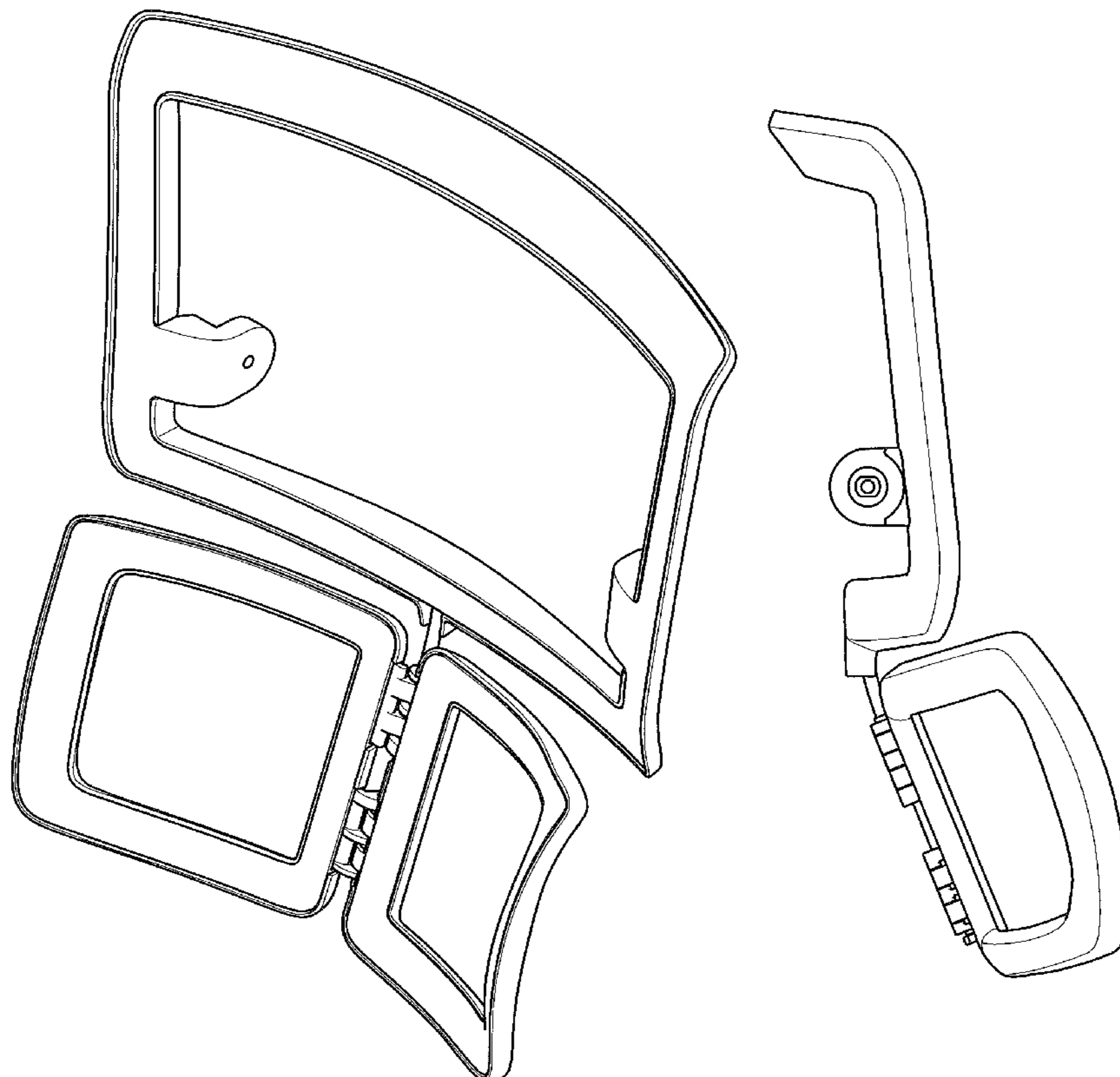
FIG. 4 is a left side view thereof;

FIG. 5 is a right side view thereof;

FIG. 6 is a top plan view thereof; and,

FIG. 7 is a bottom plan view thereof.

1 Claim, 5 Drawing Sheets



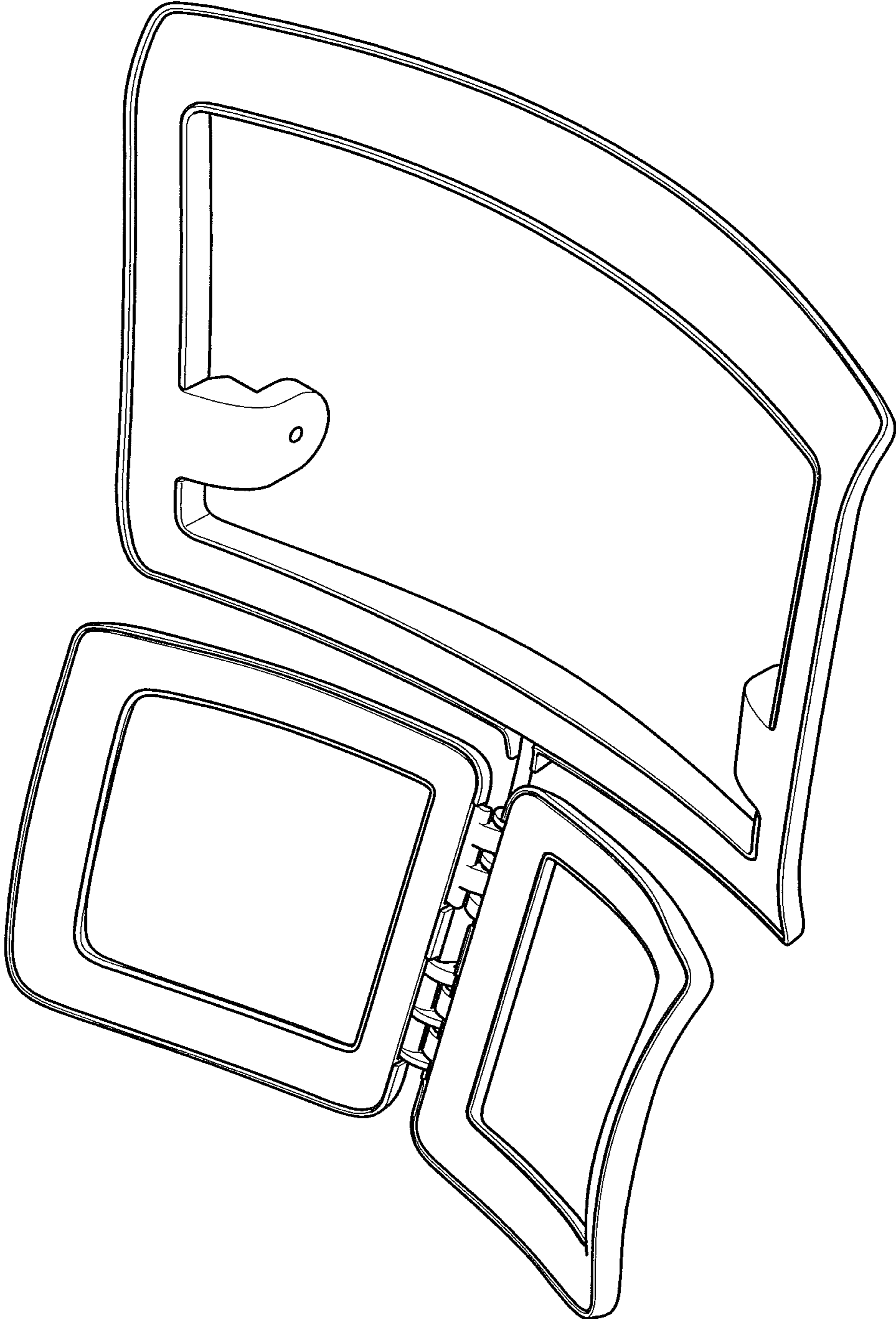


FIG. 1

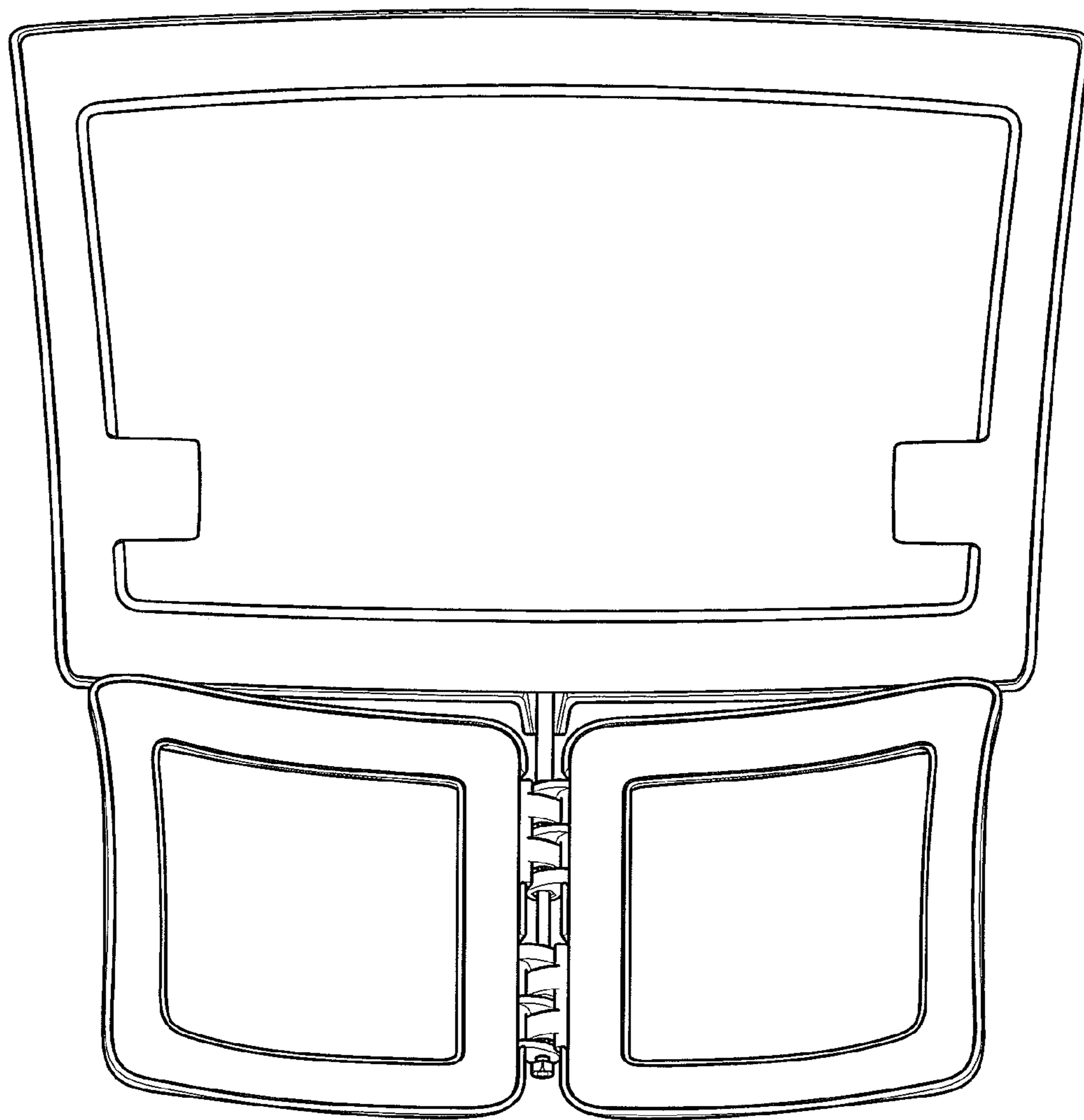


FIG. 2

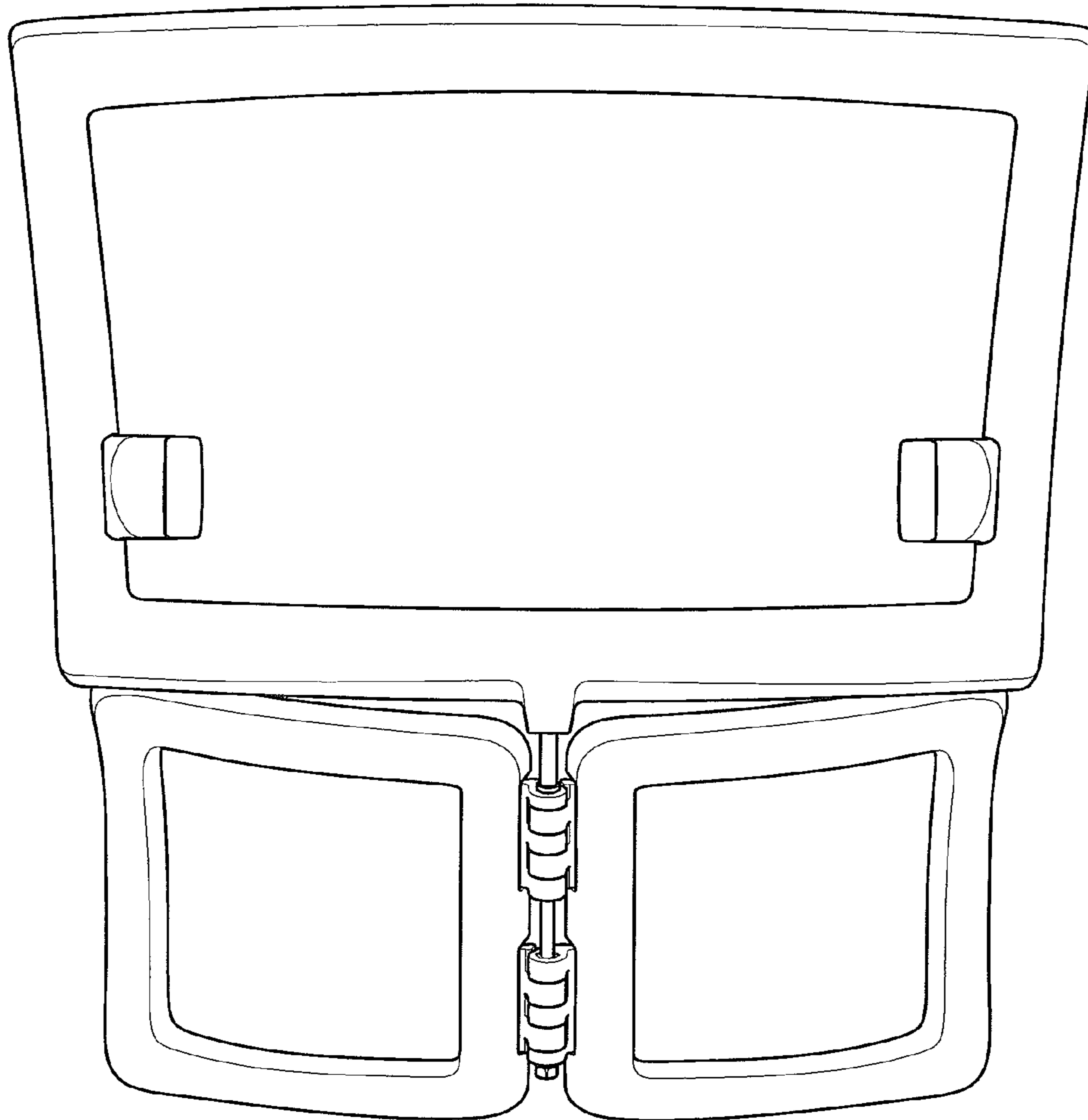


FIG. 3

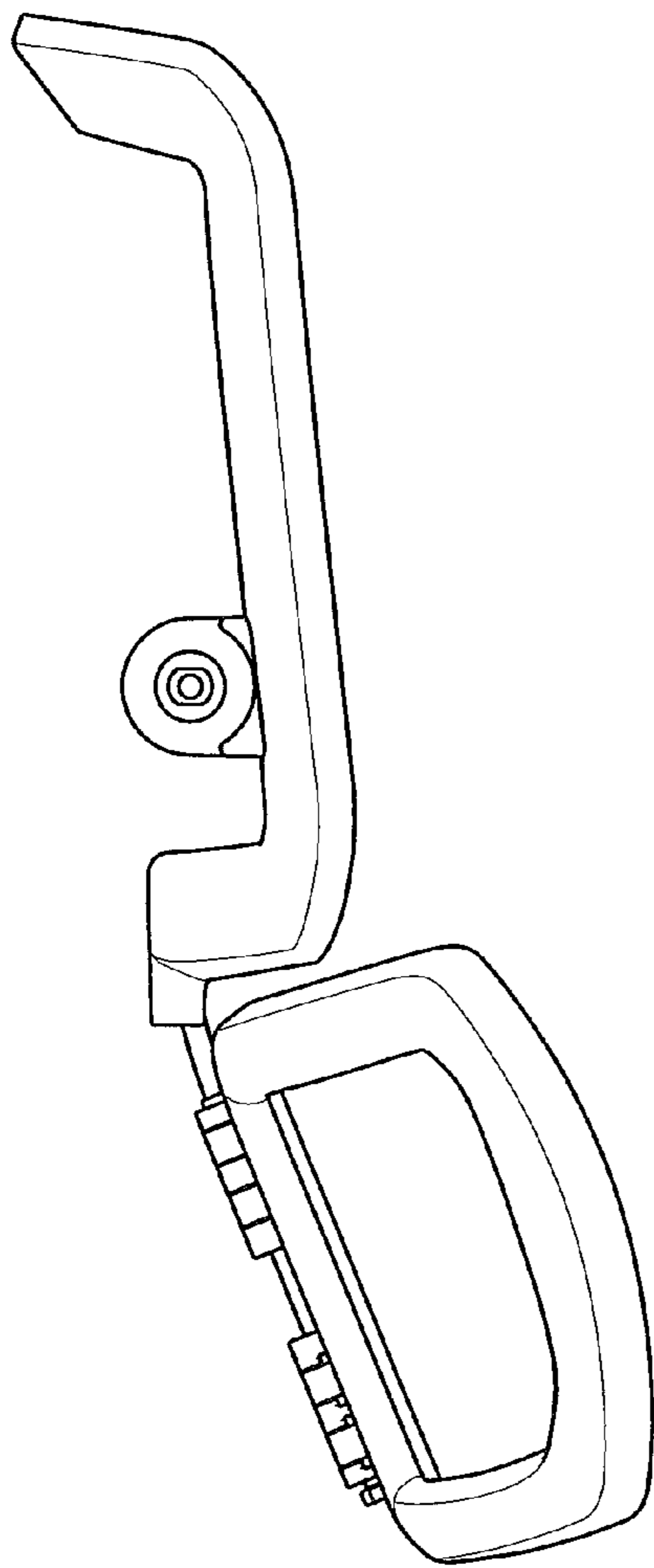


FIG. 4

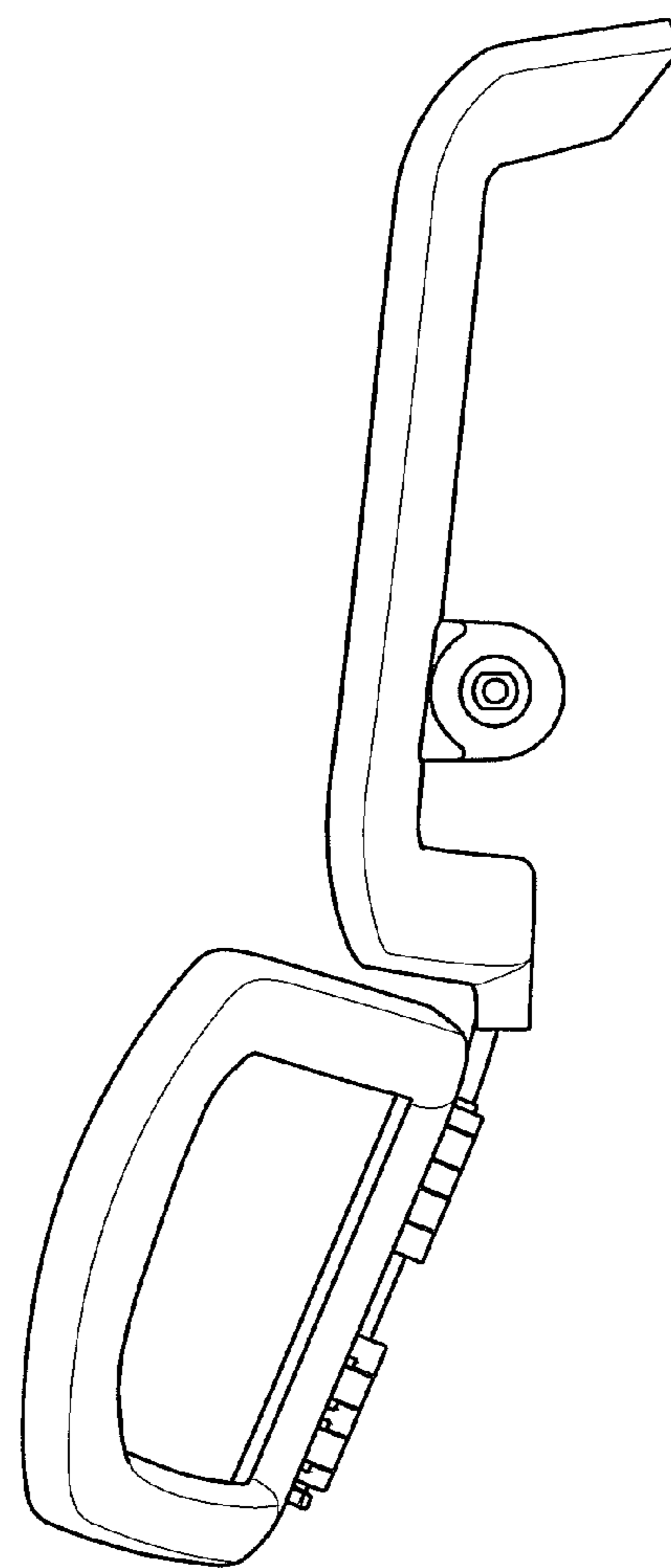


FIG. 5

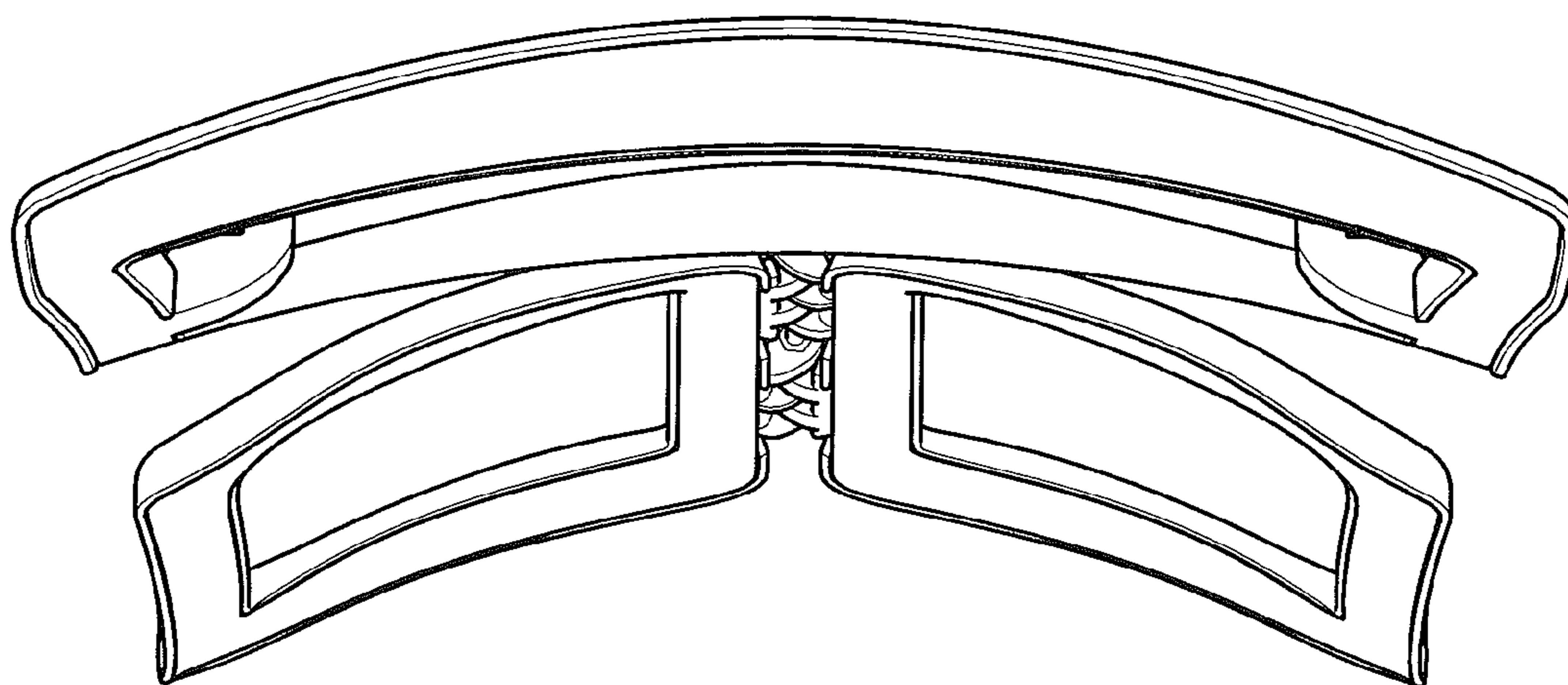


FIG. 6

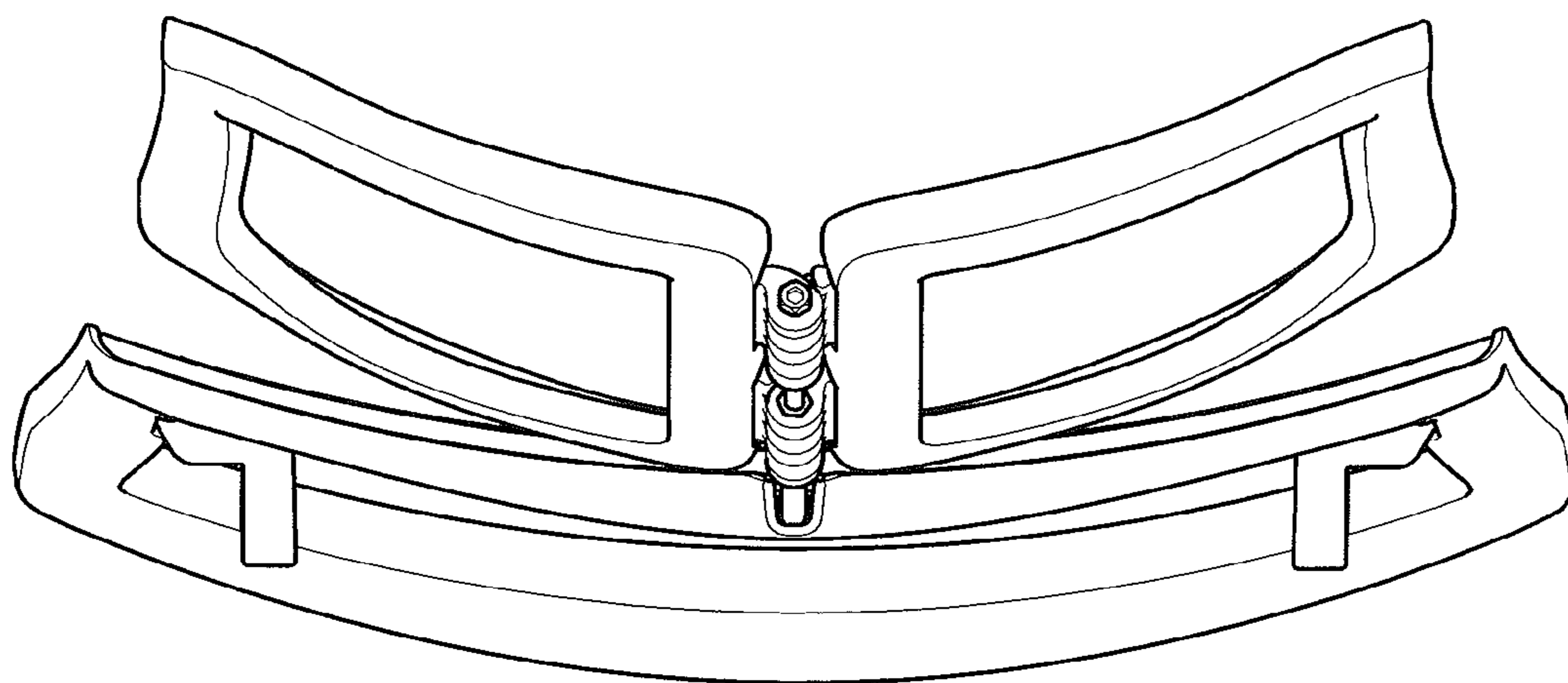


FIG. 7