



US00D708884S

(12) **United States Design Patent**  
**Hsuan-Chin**

(10) **Patent No.:** **US D708,884 S**

(45) **Date of Patent:** **\*\* Jul. 15, 2014**

(54) **CHAIR BACK FRAME**

(71) Applicant: **Tsai Hsuan-Chin**, Chai-Yi Hsien (TW)

(72) Inventor: **Tsai Hsuan-Chin**, Chai-Yi Hsien (TW)

(73) Assignee: **Zhongshan Shi Songlin Furniture Co., Ltd.**, Zhongshan (CN)

(\*\*) Term: **14 Years**

(21) Appl. No.: **29/478,981**

(22) Filed: **Jan. 10, 2014**

(51) **LOC (10) Cl.** ..... **06-01**

(52) **U.S. Cl.**  
USPC ..... **D6/716.4**

(58) **Field of Classification Search**

CPC ..... B60N 2/66; A47C 7/405; A47C 7/14;  
A47C 7/38; A47C 7/40; A47C 7/46; A47C  
7/282; A47C 7/402

USPC ..... D6/334-336, 364, 365, 366, 369, 374,  
D6/376, 379, 380, 716, 716.1, 716.2,  
D6/716.3, 716.4; 297/284.4, 284.7, 353,  
297/452.29, 452.3, 452.56, 452.64

See application file for complete search history.

(56) **References Cited**

**U.S. PATENT DOCUMENTS**

6,843,530 B1 \* 1/2005 Wu ..... A47C 7/46  
D509,975 S \* 9/2005 Pan ..... D6/716.4  
6,938,956 B1 \* 9/2005 Piretti ..... A47C 7/46  
6,945,601 B1 \* 9/2005 Wu ..... A47C 7/46  
D641,572 S \* 7/2011 Tsai ..... D6/716.4

D644,466 S \* 9/2011 Wu ..... D6/716.4  
D661,916 S \* 6/2012 Chen ..... D6/366  
8,251,448 B2 \* 8/2012 Machael et al. .... A47C 7/14  
D673,399 S \* 1/2013 Gu ..... D6/716.4  
8,579,376 B2 \* 11/2013 Chen ..... A47C 7/402  
D698,167 S \* 1/2014 Wan et al. .... D6/366  
2005/0189810 A1 \* 9/2005 Wu ..... A47C 7/46  
2009/0302663 A1 \* 12/2009 Allison et al. .... A47C 7/282  
2012/0139321 A1 \* 6/2012 Wu ..... A47C 7/38

**FOREIGN PATENT DOCUMENTS**

CA 2437074 A1 \* 3/2004 ..... A47C 7/405

\* cited by examiner

*Primary Examiner* — Mimosa De

(74) *Attorney, Agent, or Firm* — Alan Kamrath; Kamrath IP Lawfirm, P.A.

(57) **CLAIM**

The ornamental design for a chair back frame, as shown and described.

**DESCRIPTION**

FIG. 1 is a perspective view of a chair back frame, showing my new design;

FIG. 2 is a front elevational view thereof;

FIG. 3 is a rear elevational view thereof;

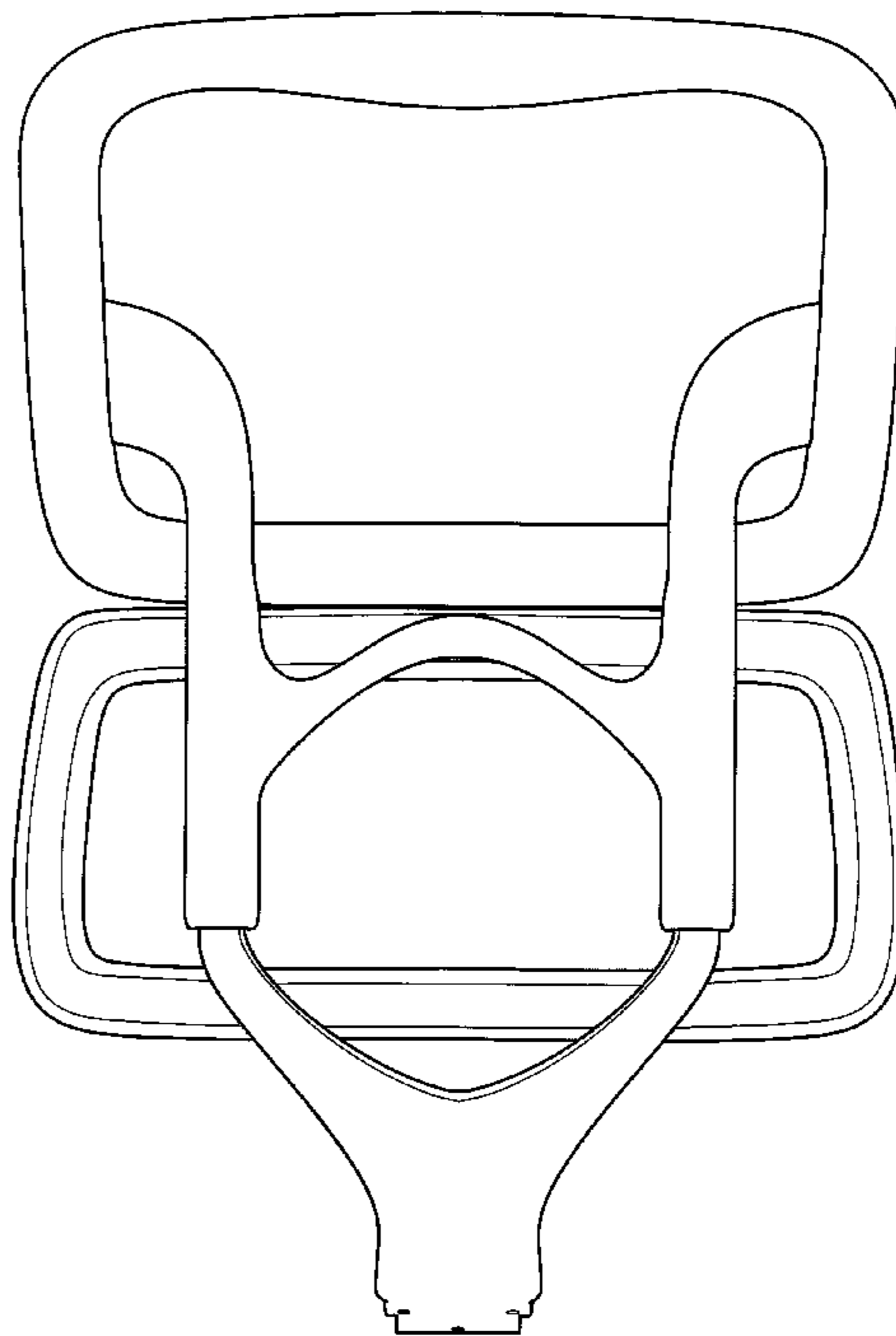
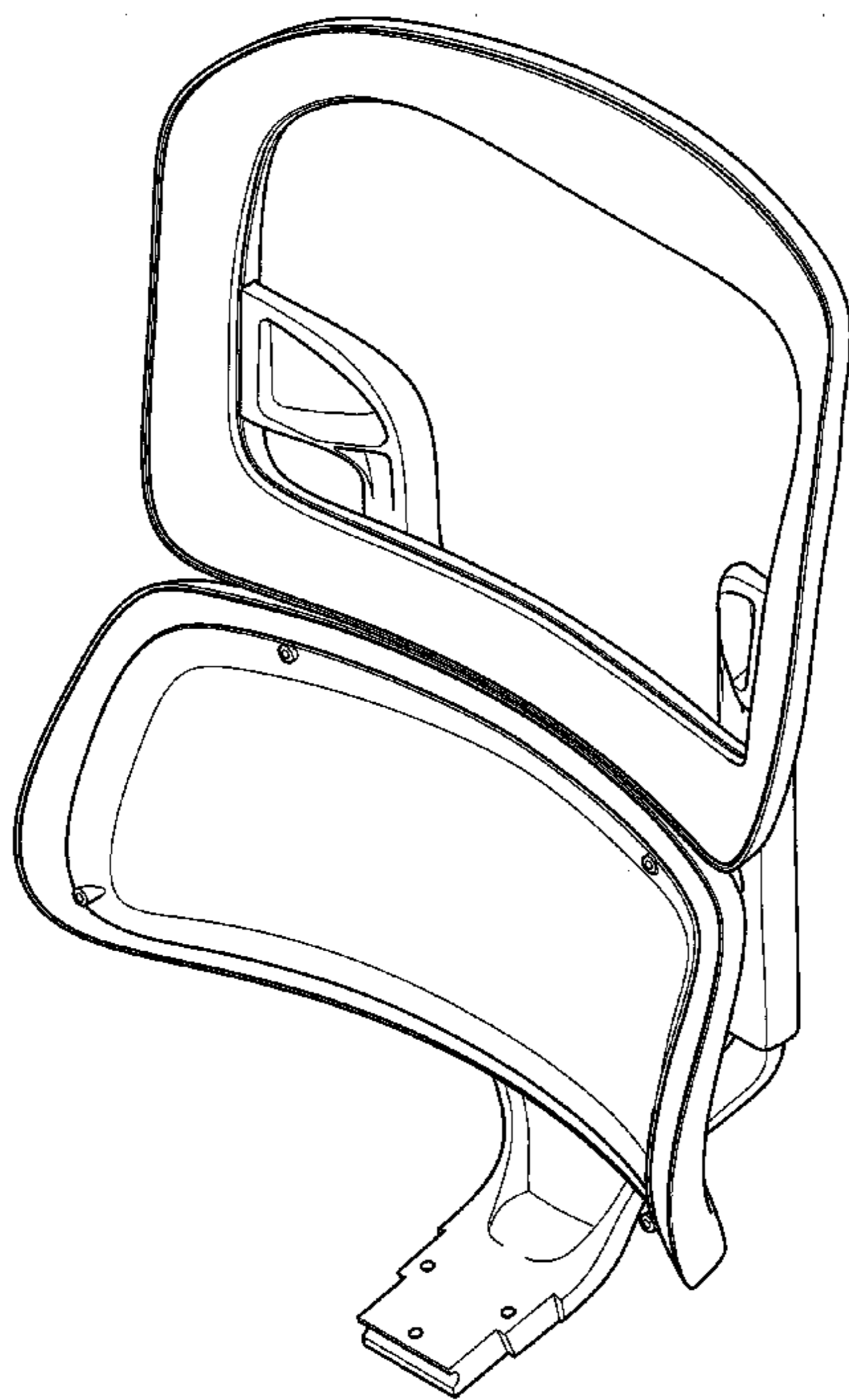
FIG. 4 is a left side view thereof;

FIG. 5 is a right side view thereof;

FIG. 6 is a top plan view thereof; and,

FIG. 7 is a bottom plan view thereof.

**1 Claim, 5 Drawing Sheets**



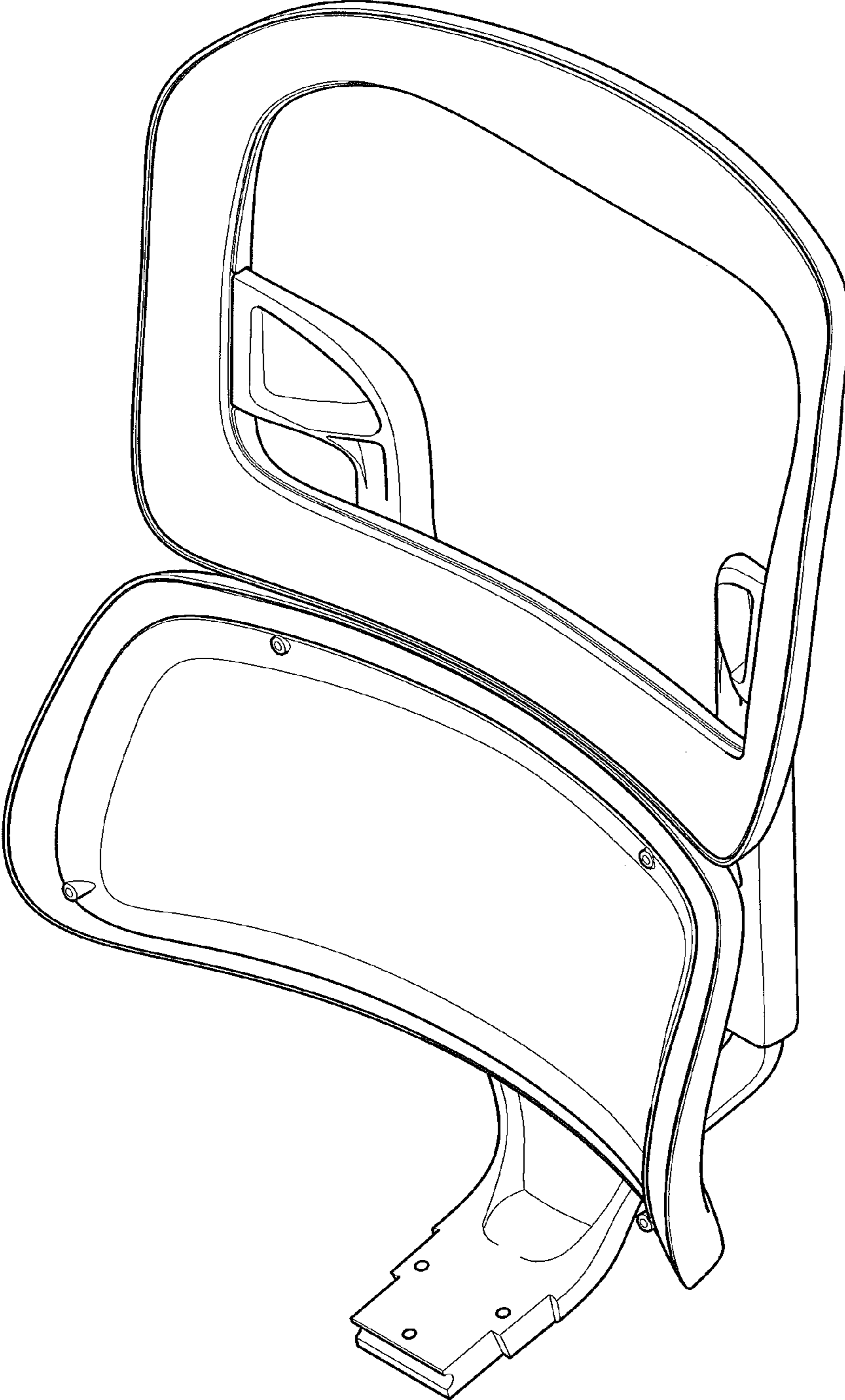


FIG. 1

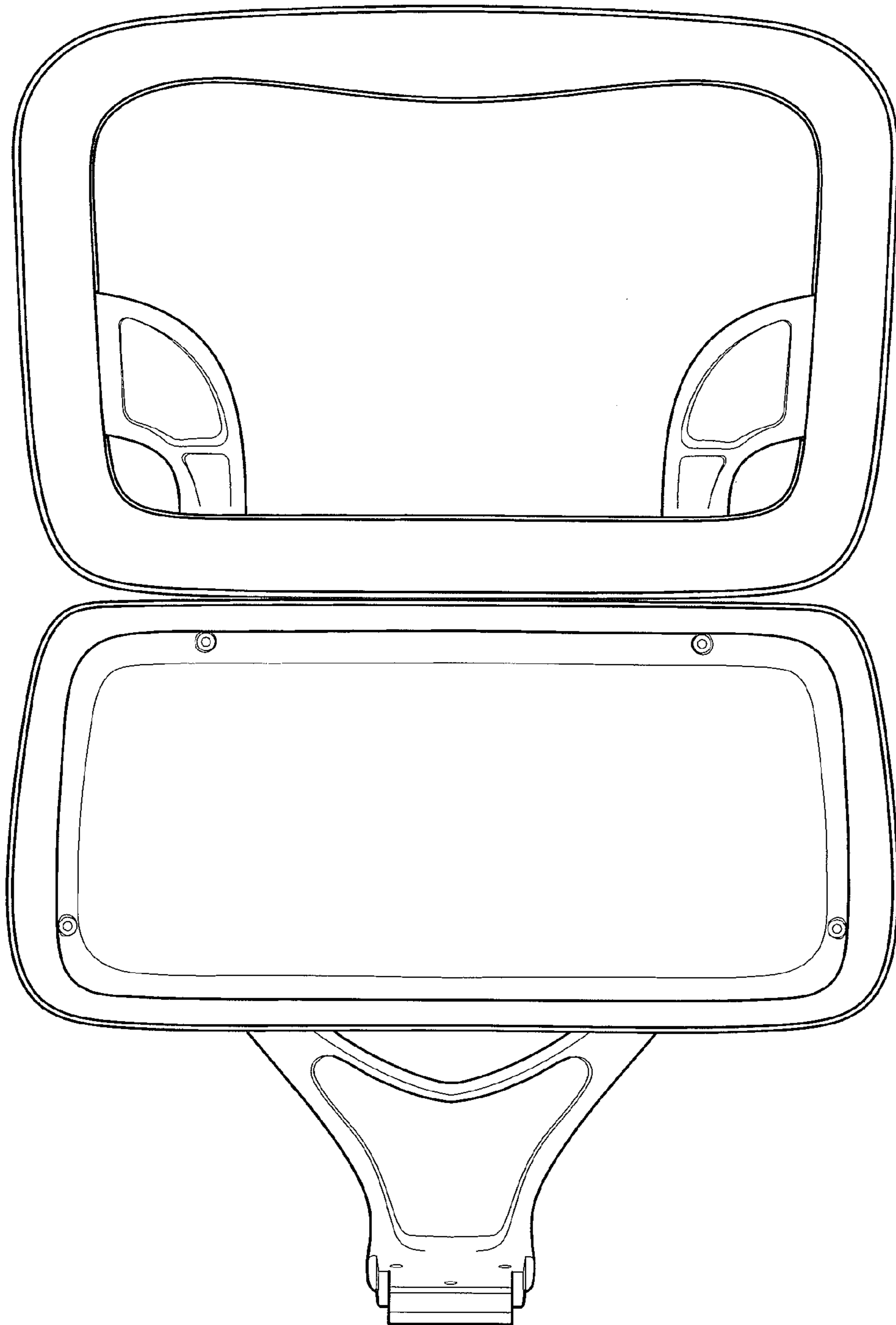


FIG. 2

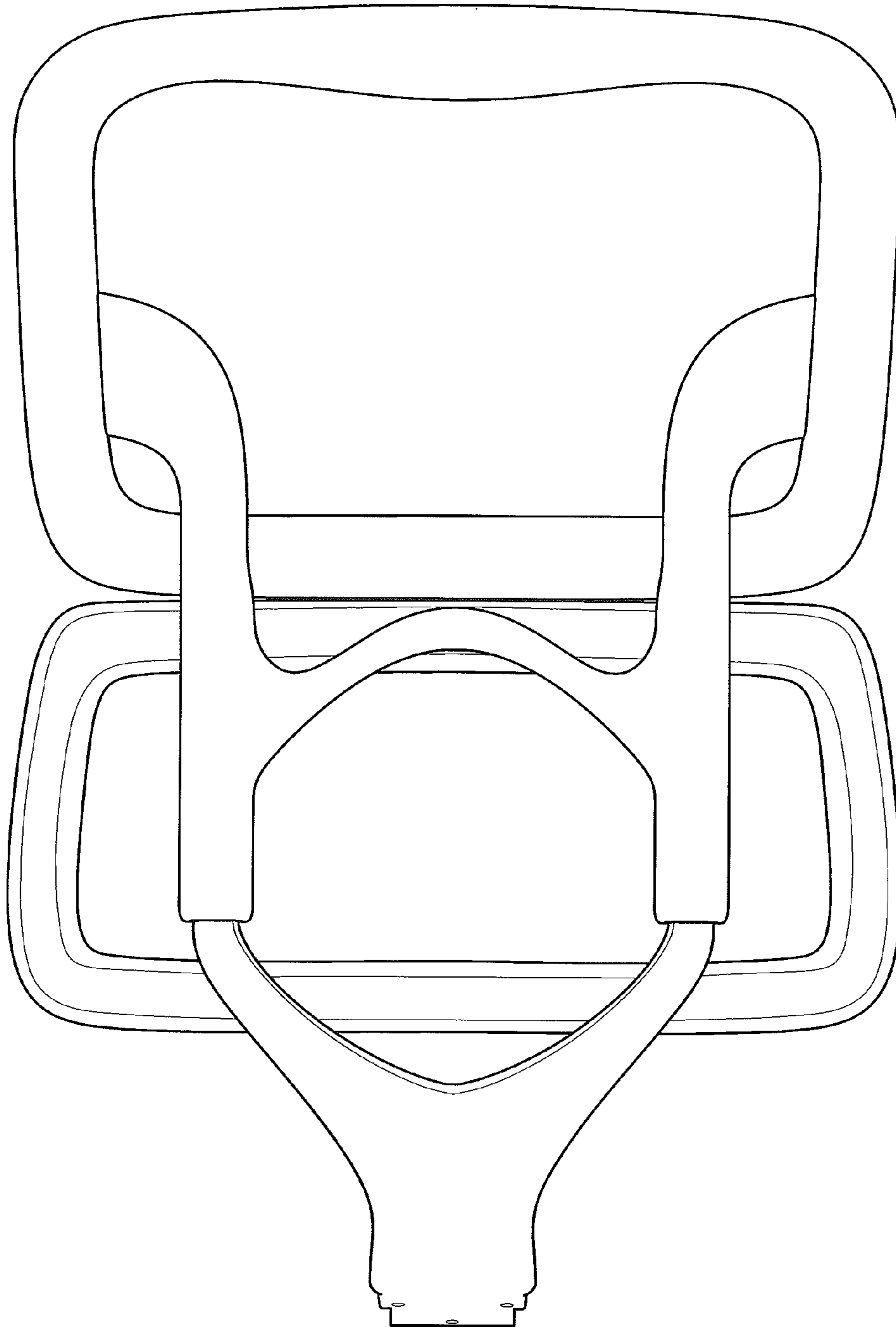


FIG. 3

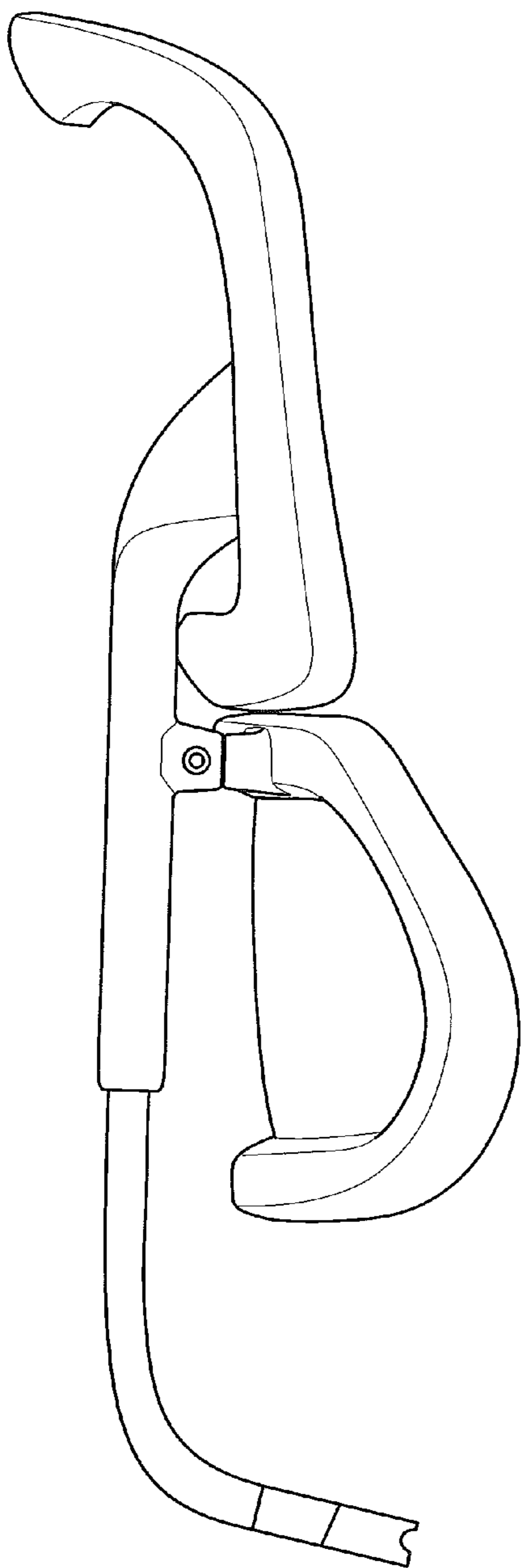


FIG. 4

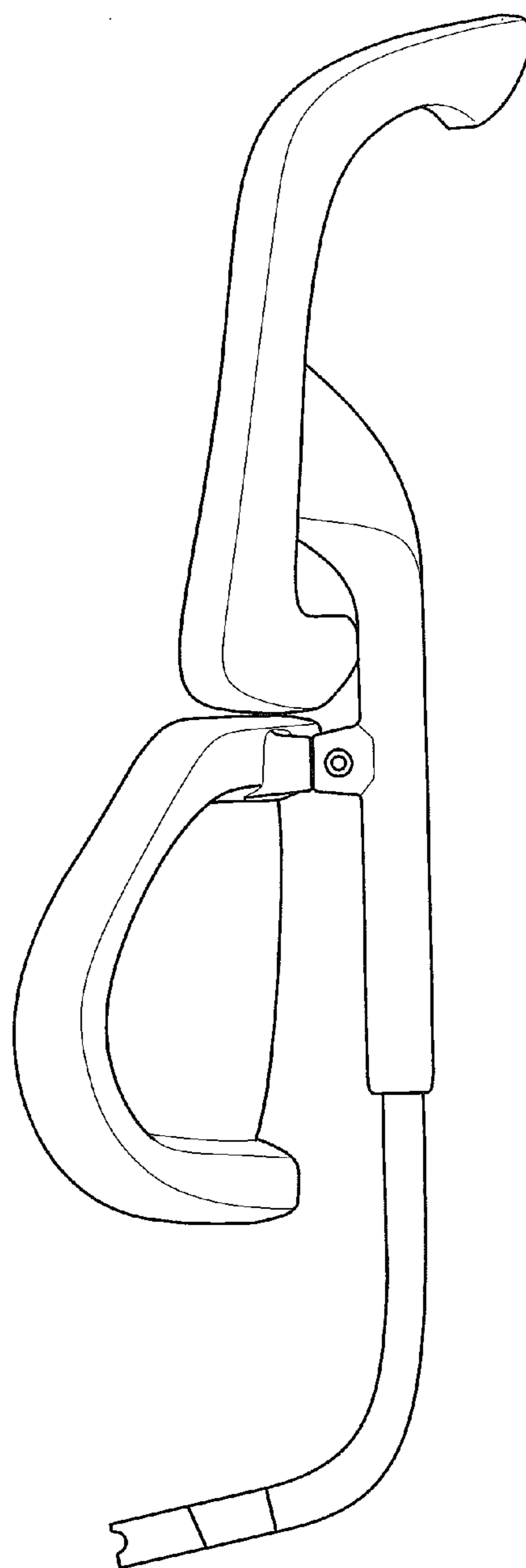


FIG. 5

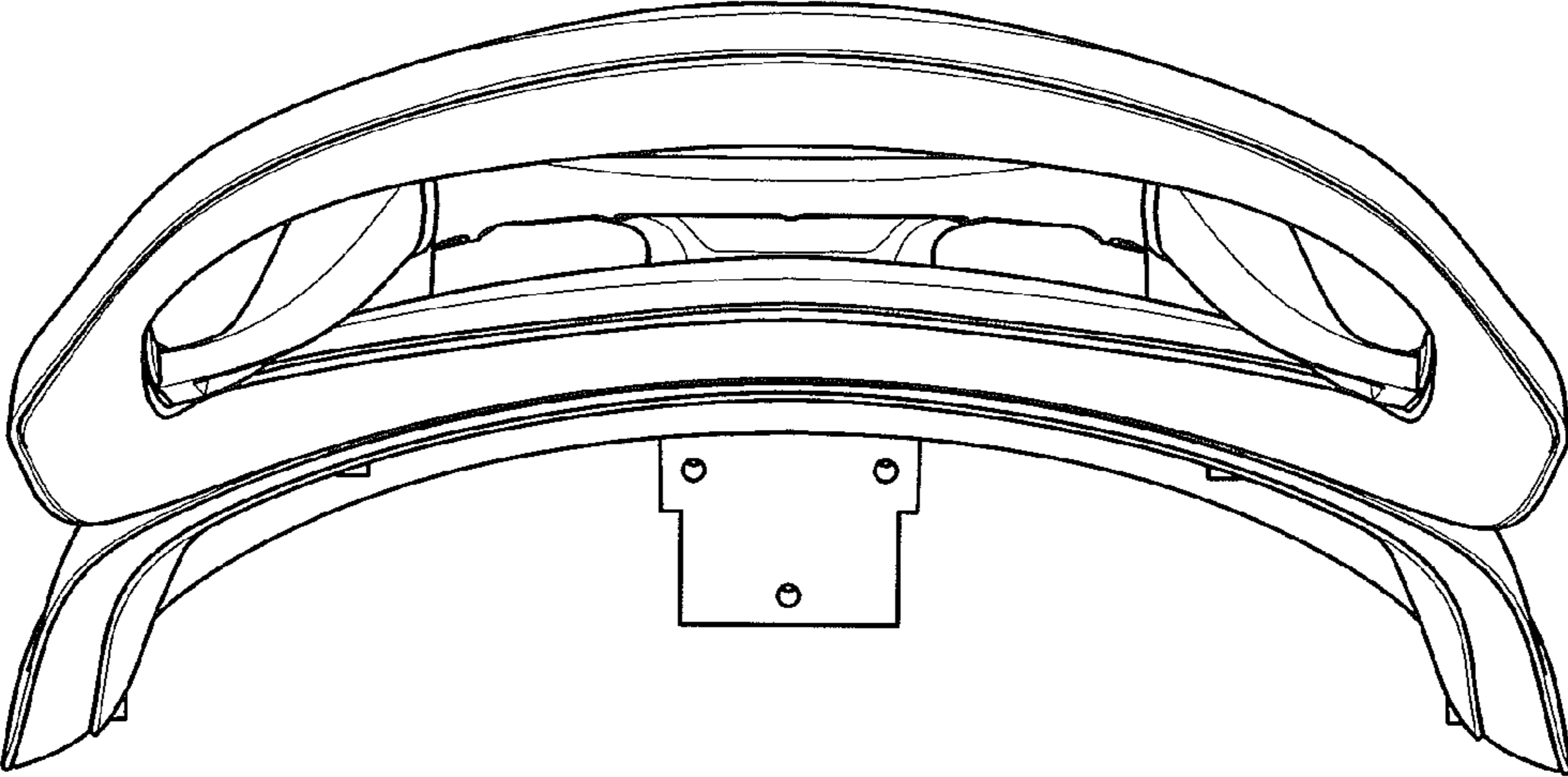


FIG. 6

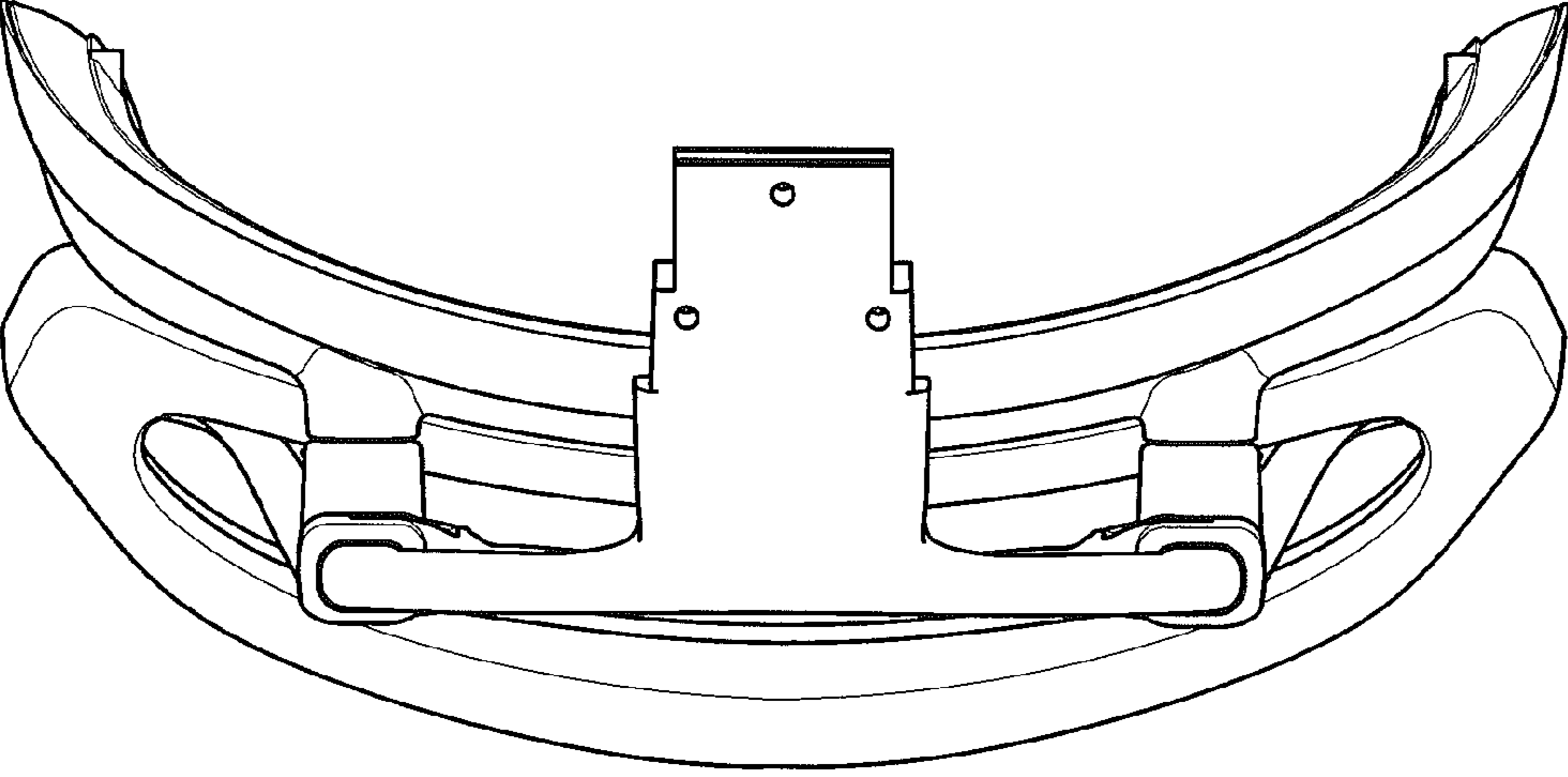


FIG. 7