



US00D708883S

(12) **United States Design Patent**
Tsai

(10) **Patent No.:** **US D708,883 S**
(45) **Date of Patent:** **** Jul. 15, 2014**

(54) **CHAIR BACK FRAME**

(71) Applicant: **Hsuan-Chin Tsai**, Chai-Yi Hsien (TW)

(72) Inventor: **Hsuan-Chin Tsai**, Chai-Yi Hsien (TW)

(73) Assignee: **Zhongshan Shi Songlin Furniture Co., Ltd**, Zhongshan (CN)

(**) Term: **14 Years**

(21) Appl. No.: **29/478,976**

(22) Filed: **Jan. 10, 2014**

(51) **LOC (10) Cl.** **06-01**

(52) **U.S. Cl.**
USPC **D6/716.4**

(58) **Field of Classification Search**
CPC B60N 2/48; B60N 2/4802; B60N 2/66;
A47C 7/38; A47C 7/40; A47C 7/46; A47C
7/282; A47C 7/402
USPC D6/334-336, 364, 365, 366, 369, 374,
D6/376, 379, 380, 716, 716.1, 716.2,
D6/716.3, 716.4, 716.5; 297/396, 284.4,
297/284.7, 452.29, 452.3, 452.56, 452.64
See application file for complete search history.

(56) **References Cited**

U.S. PATENT DOCUMENTS

6,843,530 B1 * 1/2005 Wu 7/38
6,938,956 B1 * 9/2005 Piretti 7/46

6,945,601 B1 * 9/2005 Wu 7/46
D641,572 S * 7/2011 Tsai D6/716.4
D645,684 S * 9/2011 Chen D6/716.4
D661,916 S * 6/2012 Chen D6/366
D673,399 S * 1/2013 Gu D6/716.4
8,579,376 B2 * 11/2013 Chen 7/402
D698,167 S * 1/2014 Wan et al. D6/366
2005/0189810 A1 * 9/2005 Wu 7/38
2012/0139321 A1 * 6/2012 Wu 7/38

* cited by examiner

Primary Examiner — Mimosa De

(74) *Attorney, Agent, or Firm* — Alan Kamrath; Kamrath IP Lawfirm, P.A.

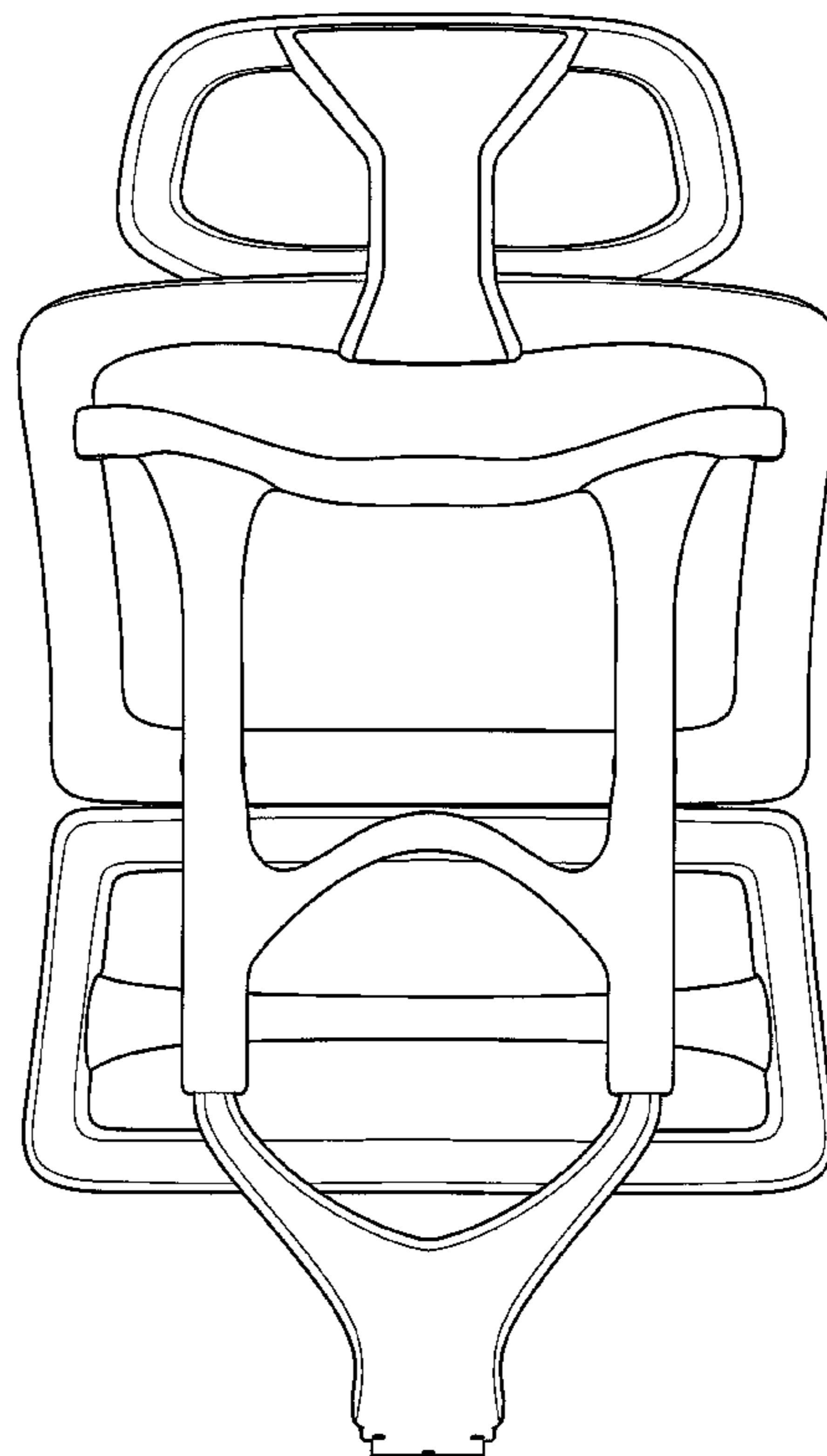
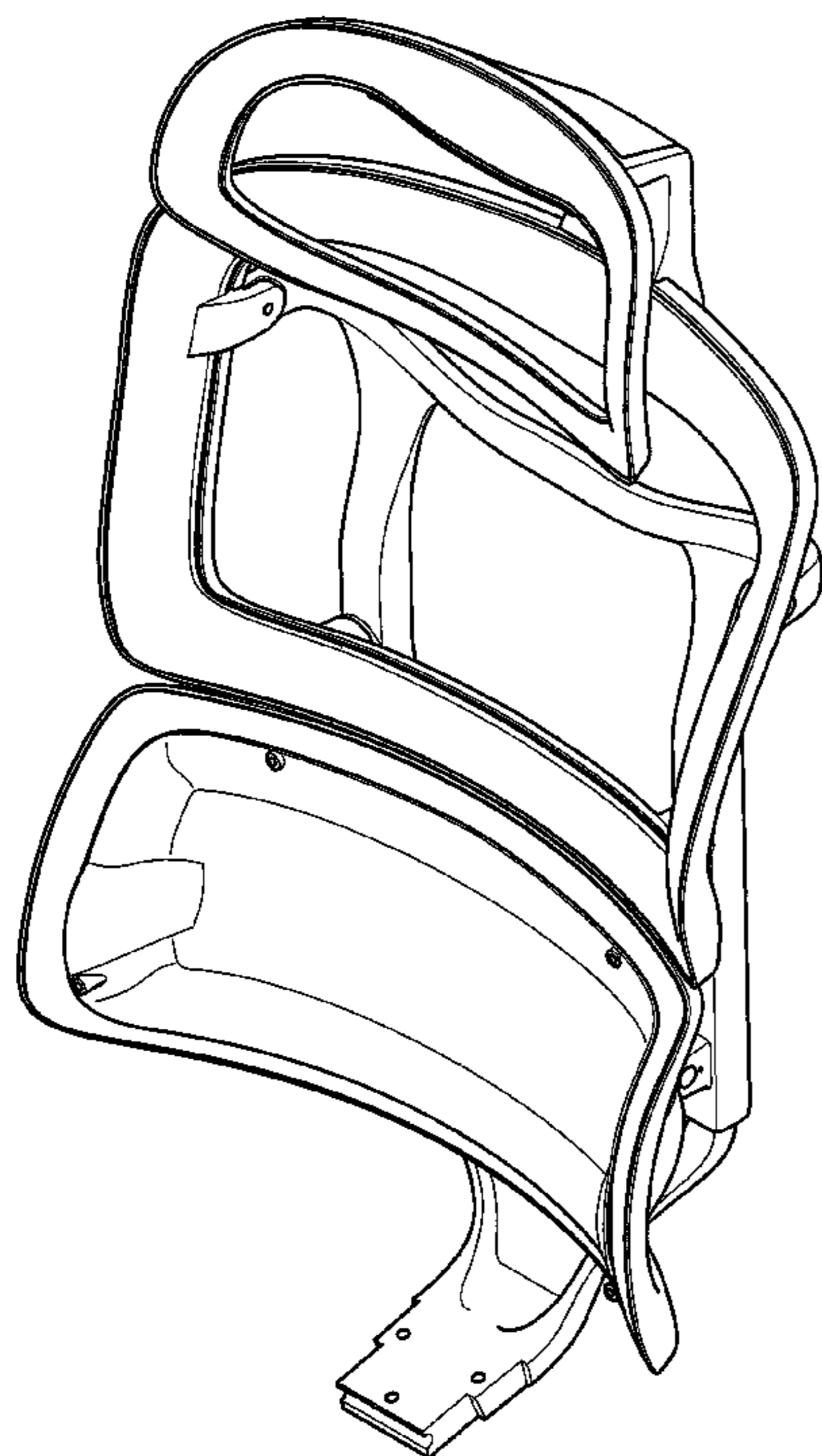
(57) **CLAIM**

The ornamental design for a chair back frame, as shown and described.

DESCRIPTION

FIG. 1 is a perspective view of a chair back frame, showing my new design;
FIG. 2 is a front elevational view thereof;
FIG. 3 is a rear elevational view thereof;
FIG. 4 is a left side view thereof;
FIG. 5 is a right side view thereof;
FIG. 6 is a top plan view thereof; and,
FIG. 7 is a bottom plan view thereof.

1 Claim, 5 Drawing Sheets



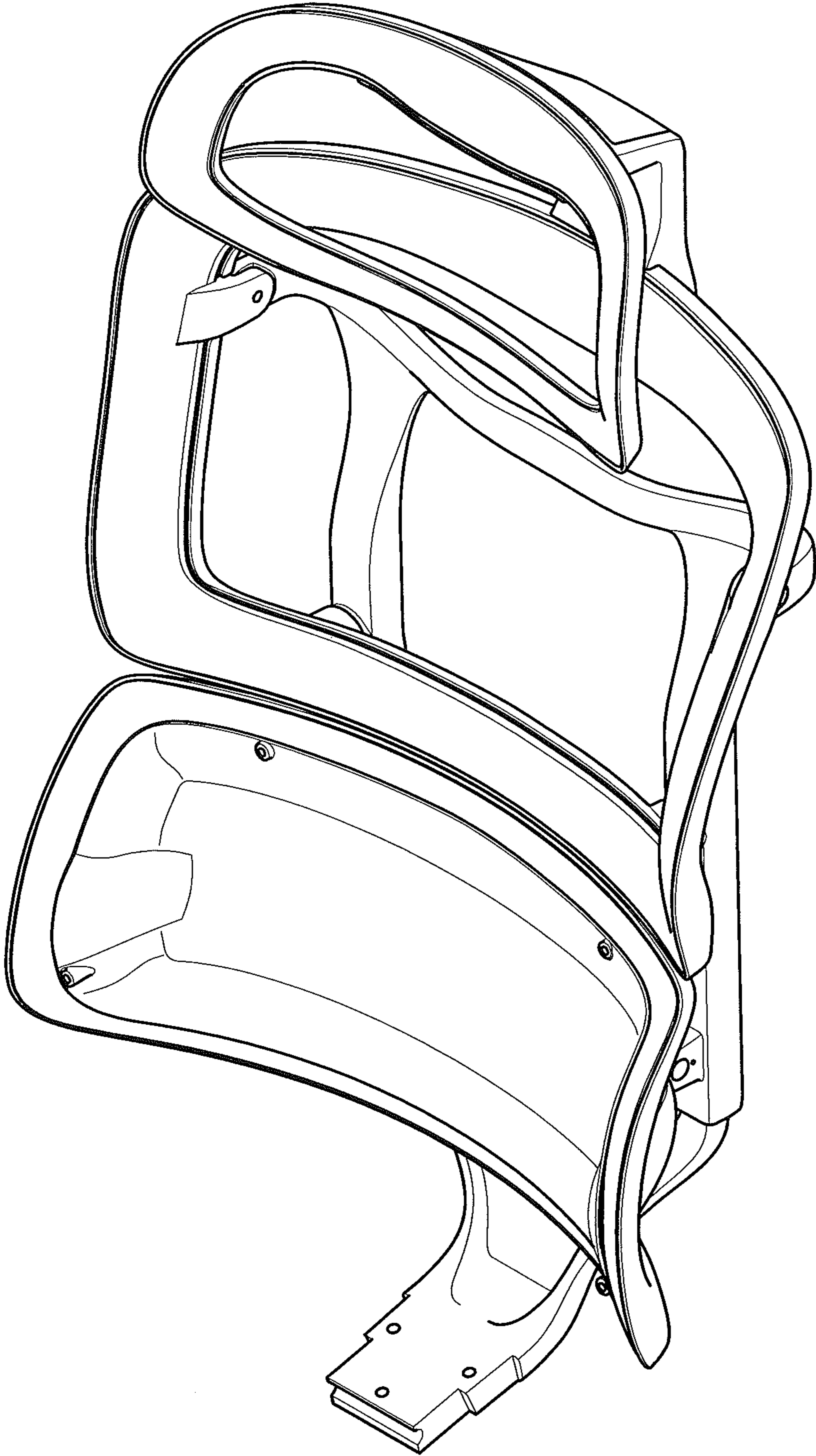


FIG. 1

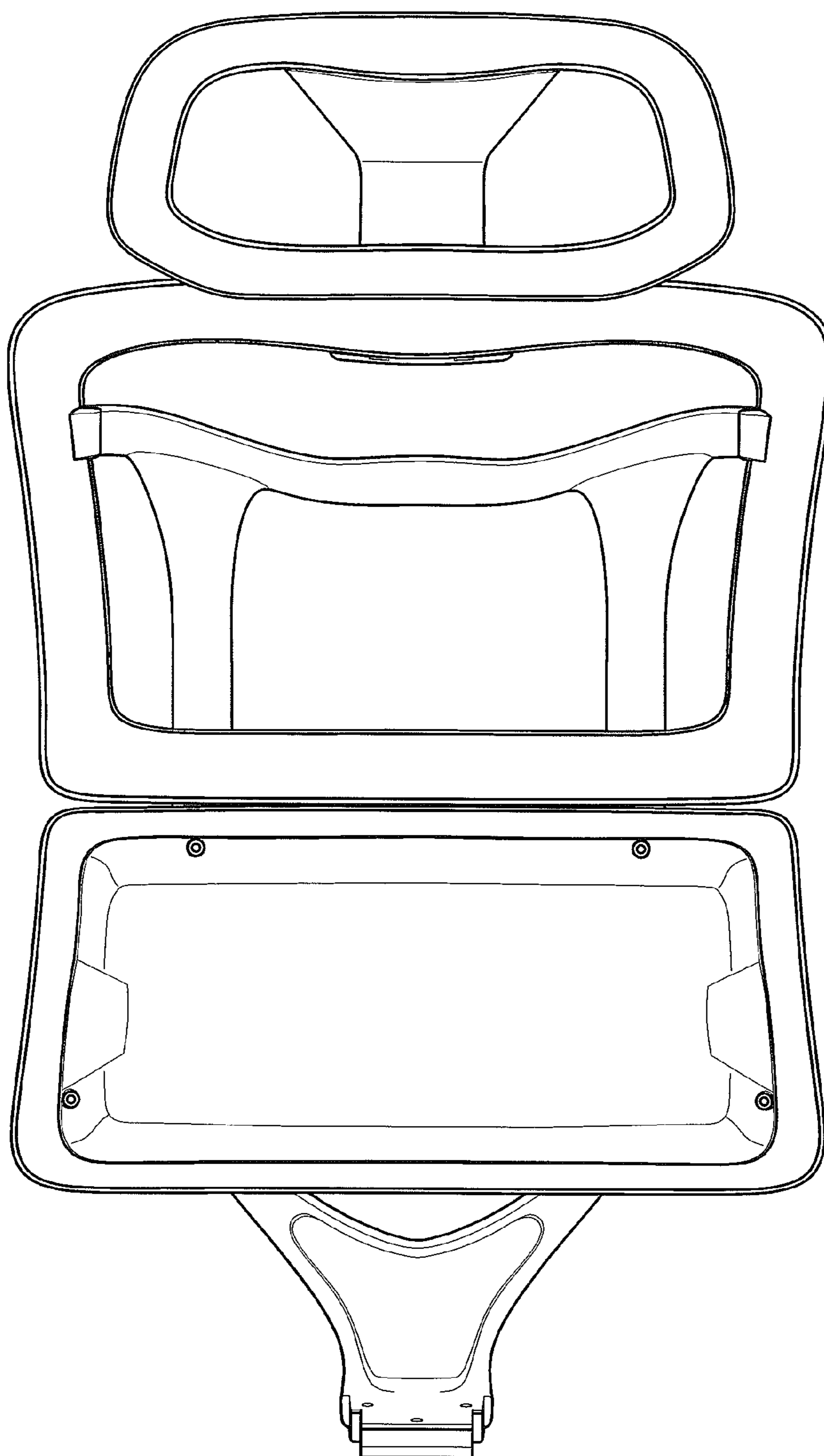


FIG. 2

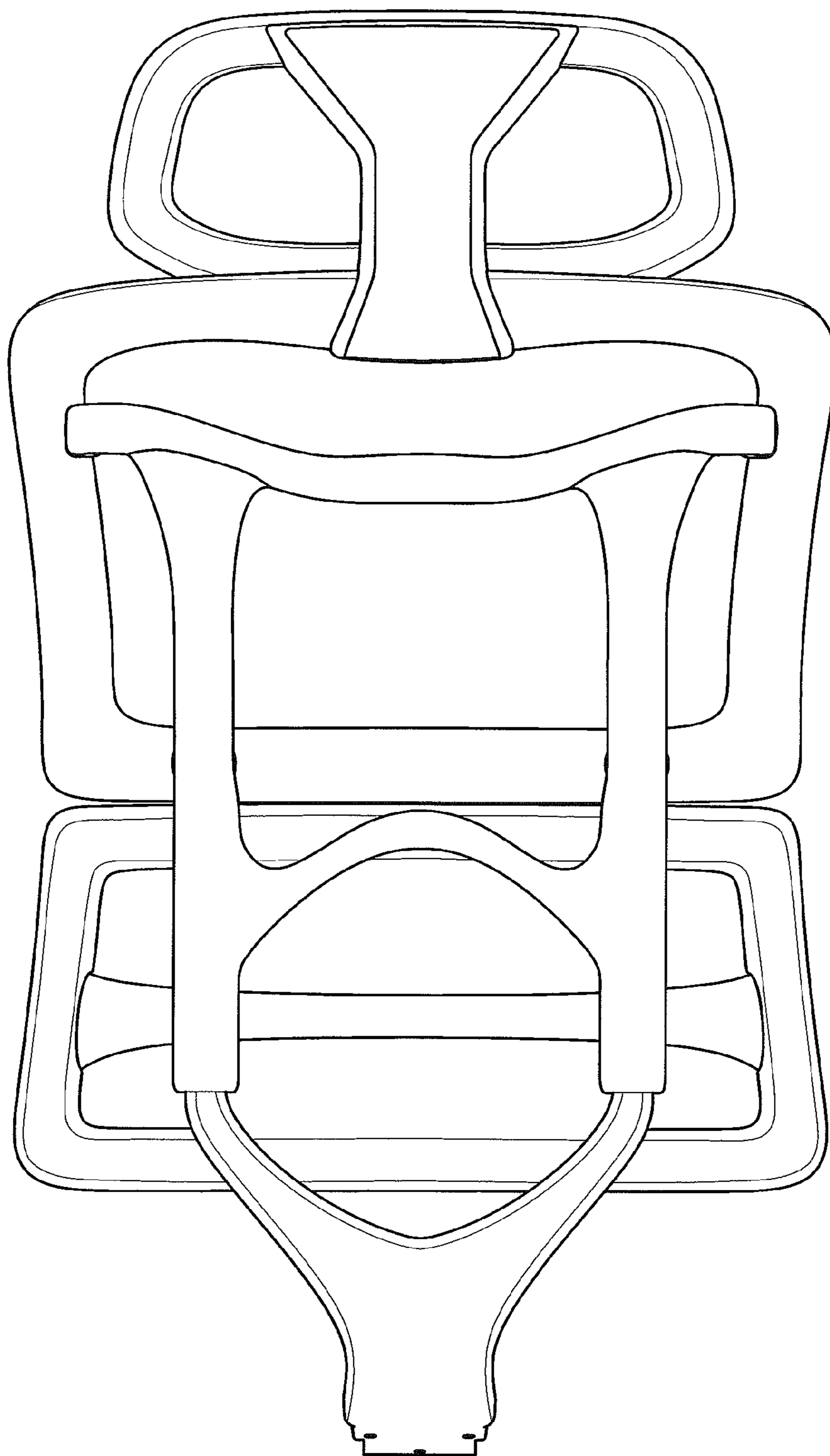


FIG. 3

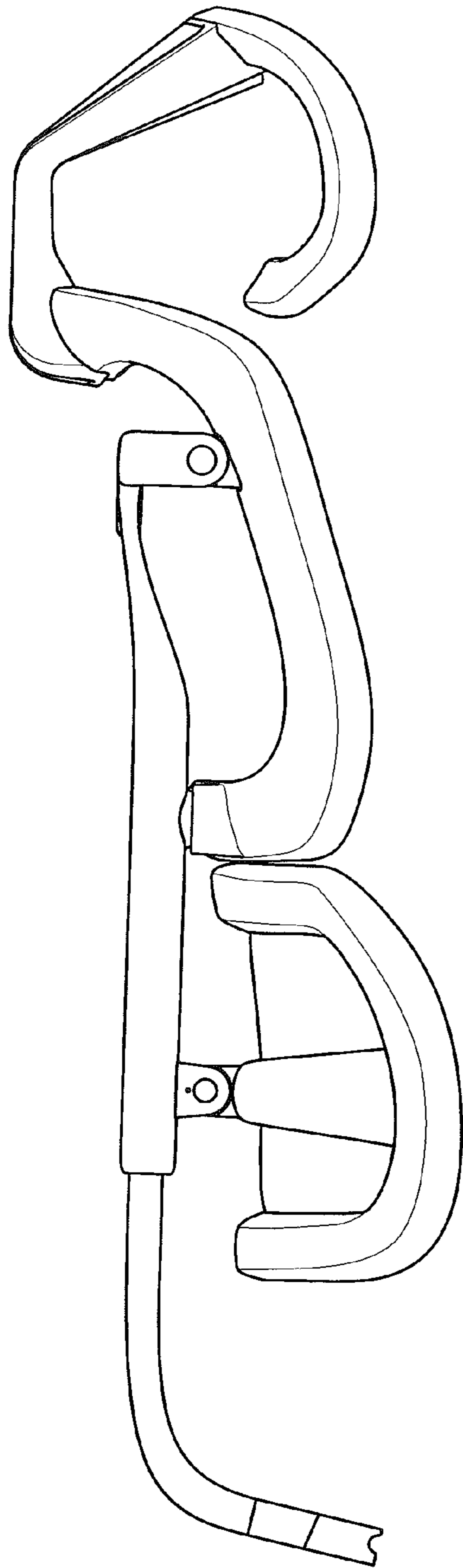


FIG. 4

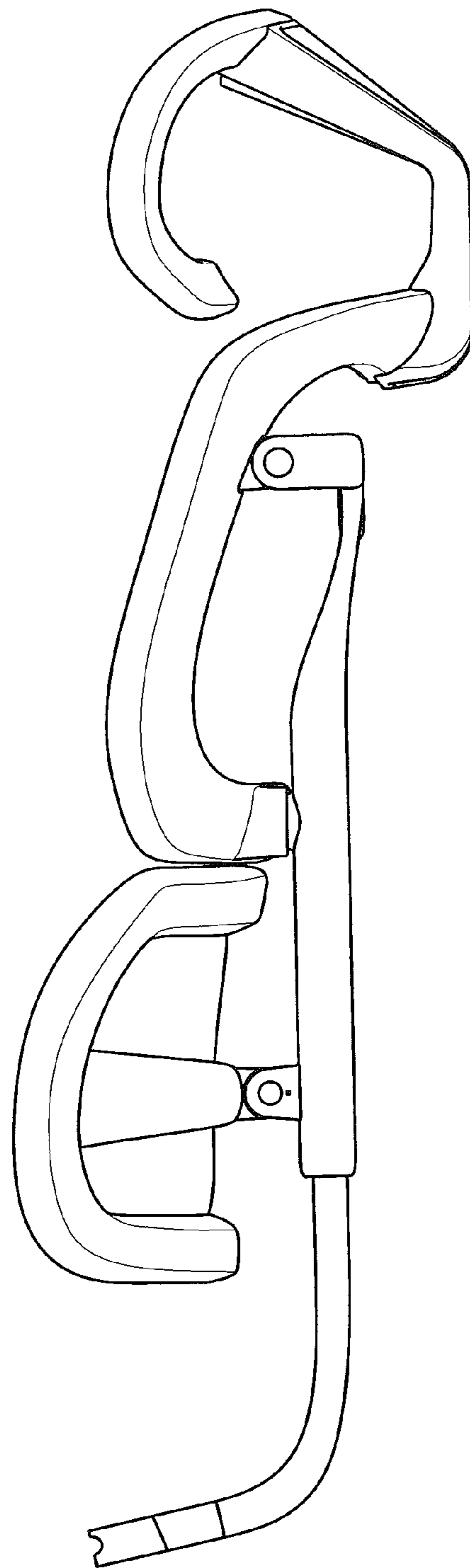


FIG. 5

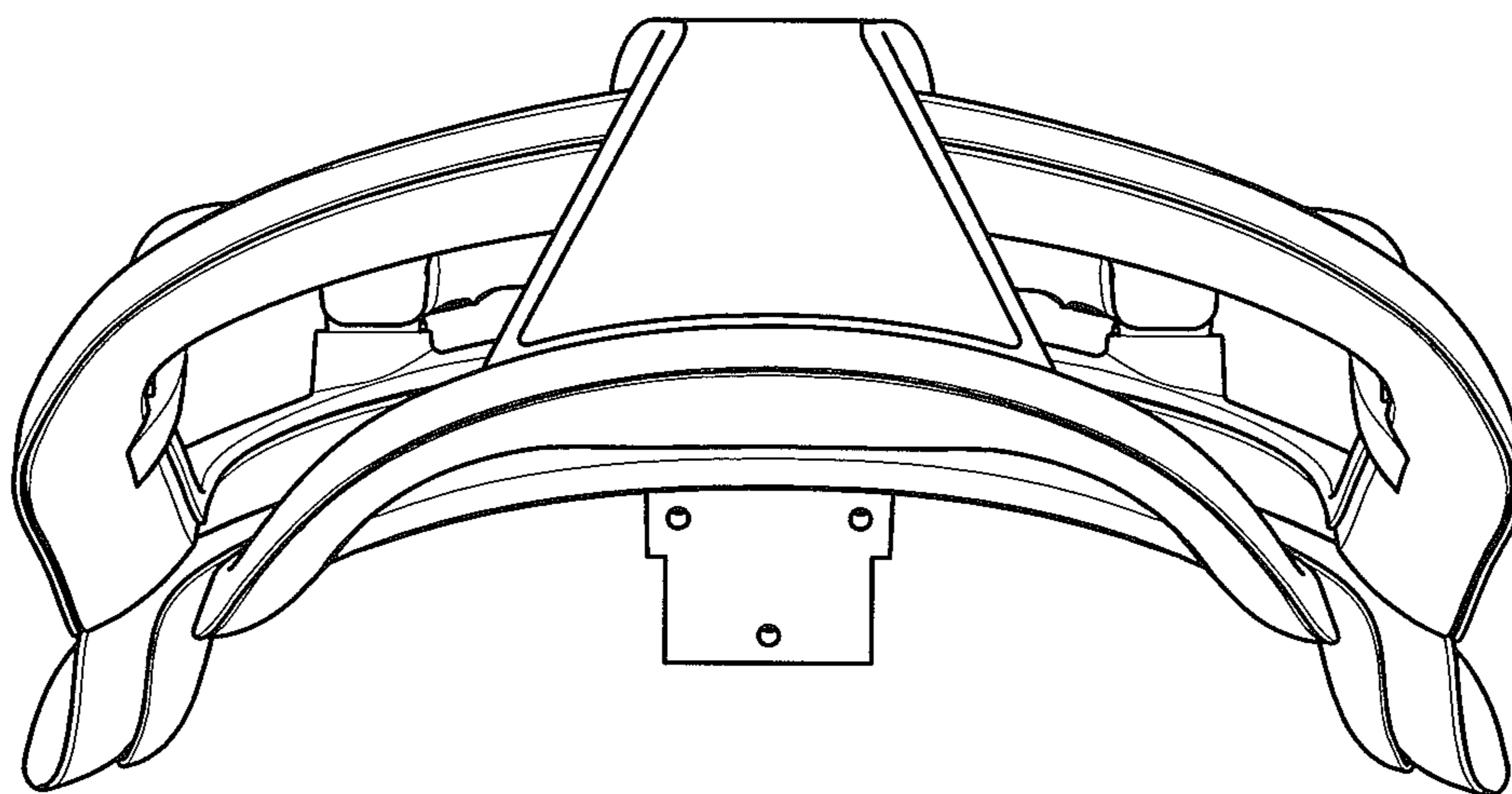


FIG. 6

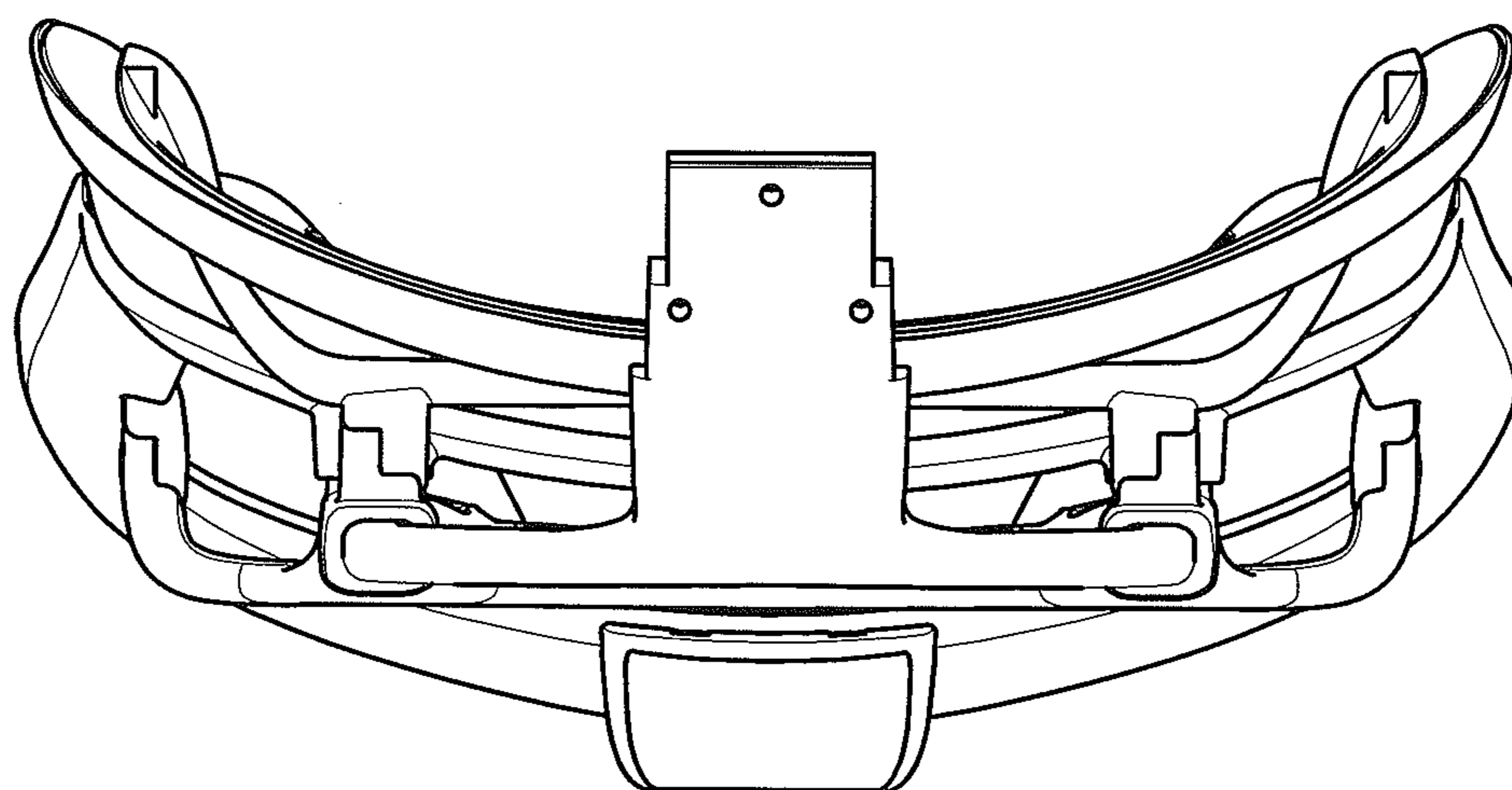


FIG. 7