



US00D708882S

(12) **United States Design Patent**
Hsuan-Chin

(10) **Patent No.:** **US D708,882 S**
(45) **Date of Patent:** **** Jul. 15, 2014**

(54) **CHAIR BACK FRAME**

(71) Applicant: **Tsai Hsuan-Chin**, Chai-Yi Hsien (TW)

(72) Inventor: **Tsai Hsuan-Chin**, Chai-Yi Hsien (TW)

(73) Assignee: **Zhongshan Shi Songlin Furniture Co., Ltd**, Zhongshan (CN)

(**) Term: **14 Years**

(21) Appl. No.: **29/462,685**

(22) Filed: **Aug. 7, 2013**

(51) **LOC (10) Cl.** **06-01**

(52) **U.S. Cl.**
USPC **D6/716.4**

(58) **Field of Classification Search**
USPC D6/334-336, 364, 365, 366, 369, 374,
D6/376, 379, 380, 716, 716.1, 716.2,
D6/716.3, 716.4; 297/284.4, 284.7,
297/452.13, 452.29, 452.3, 452.46, 452.56,
297/452.64

See application file for complete search history.

(56) **References Cited**

U.S. PATENT DOCUMENTS

D573,817 S *	7/2008	Su	D6/716.4
D574,645 S *	8/2008	Christensen	D6/716.4
D596,884 S *	7/2009	Wen	D6/716.4
D667,244 S *	9/2012	Su	D6/716.4
D671,332 S *	11/2012	Izawa	D6/366
D687,660 S *	8/2013	Hsuan-Chin	D6/716.4

* cited by examiner

Primary Examiner — Mimoso De

(74) *Attorney, Agent, or Firm* — Alan Kamrath; Kamrath IP Lawfirm, P.A.

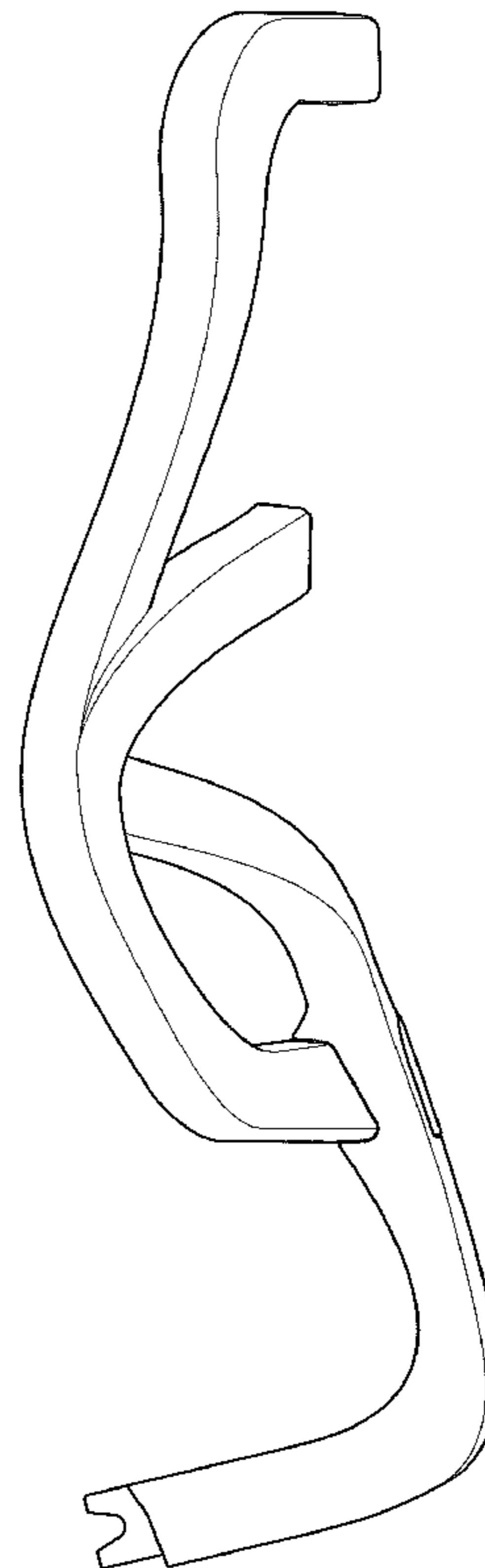
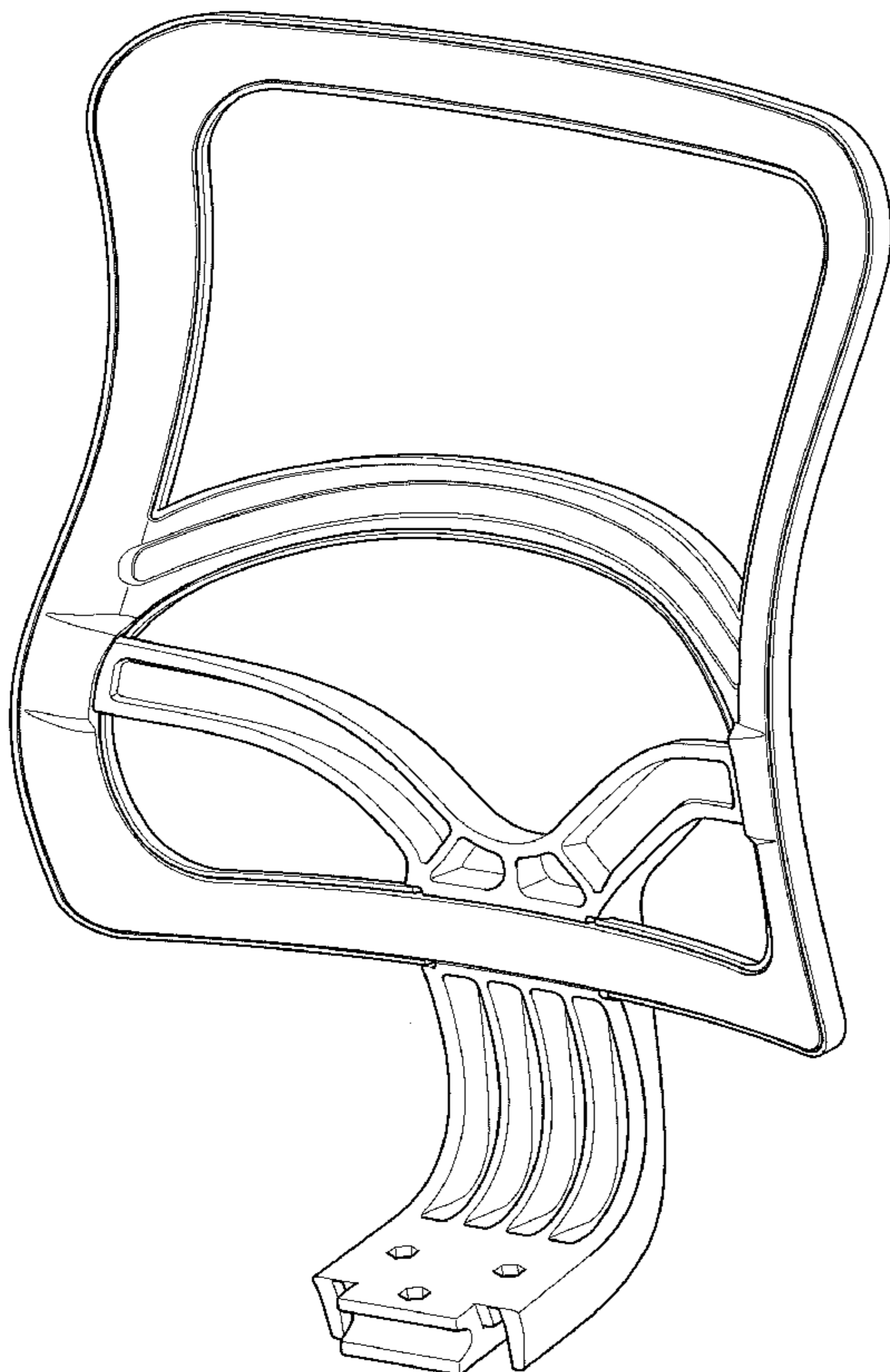
(57) **CLAIM**

The ornamental design for a chair back frame, as shown and described.

DESCRIPTION

FIG. 1 is a perspective view of a chair back frame, showing my new design;
FIG. 2 is a front elevational view thereof;
FIG. 3 is a rear elevational view thereof;
FIG. 4 is a left side view thereof;
FIG. 5 is a right side view thereof;
FIG. 6 is a top plan view thereof; and,
FIG. 7 is a bottom plan view thereof.

1 Claim, 5 Drawing Sheets



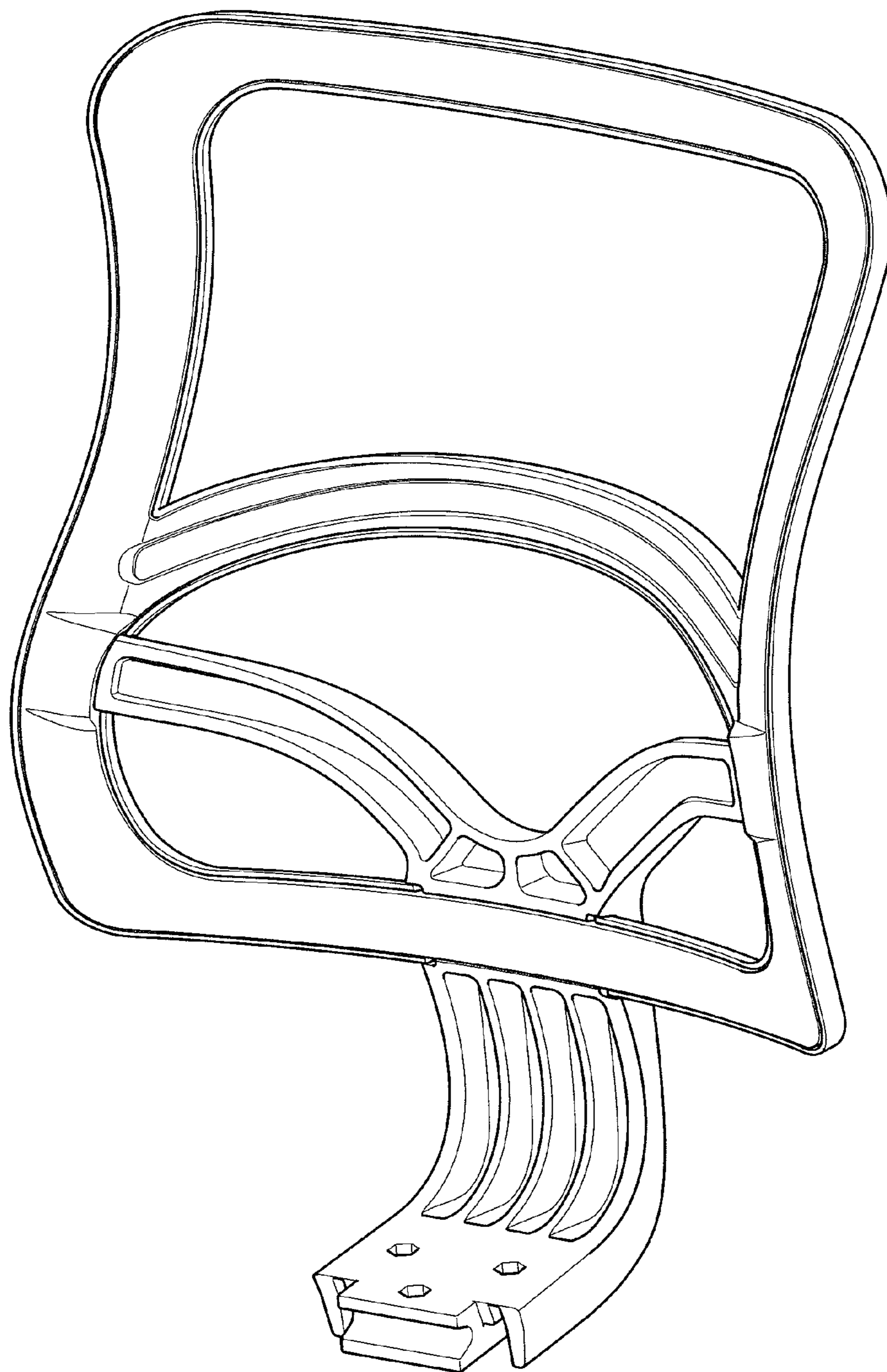


FIG. 1

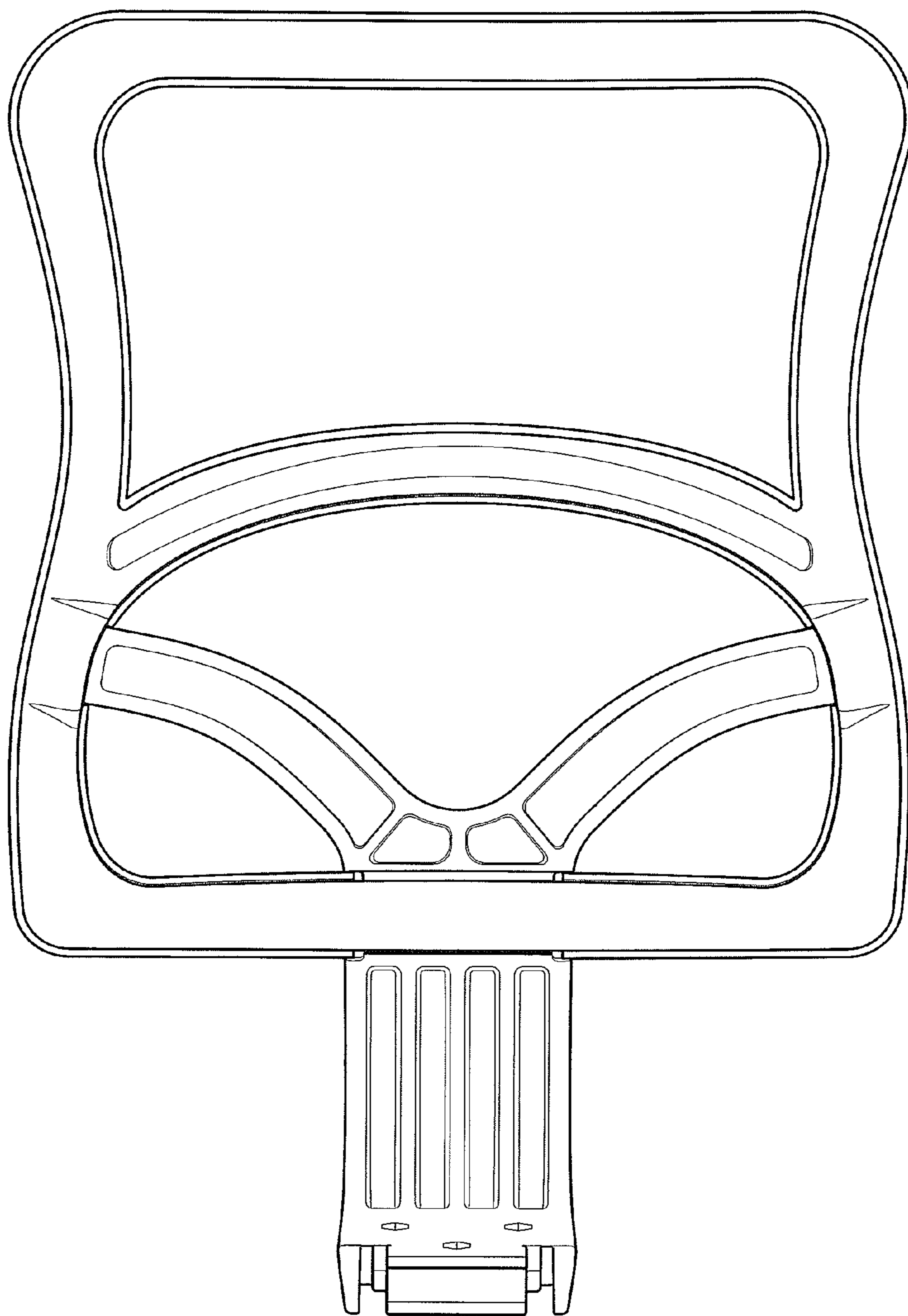


FIG. 2

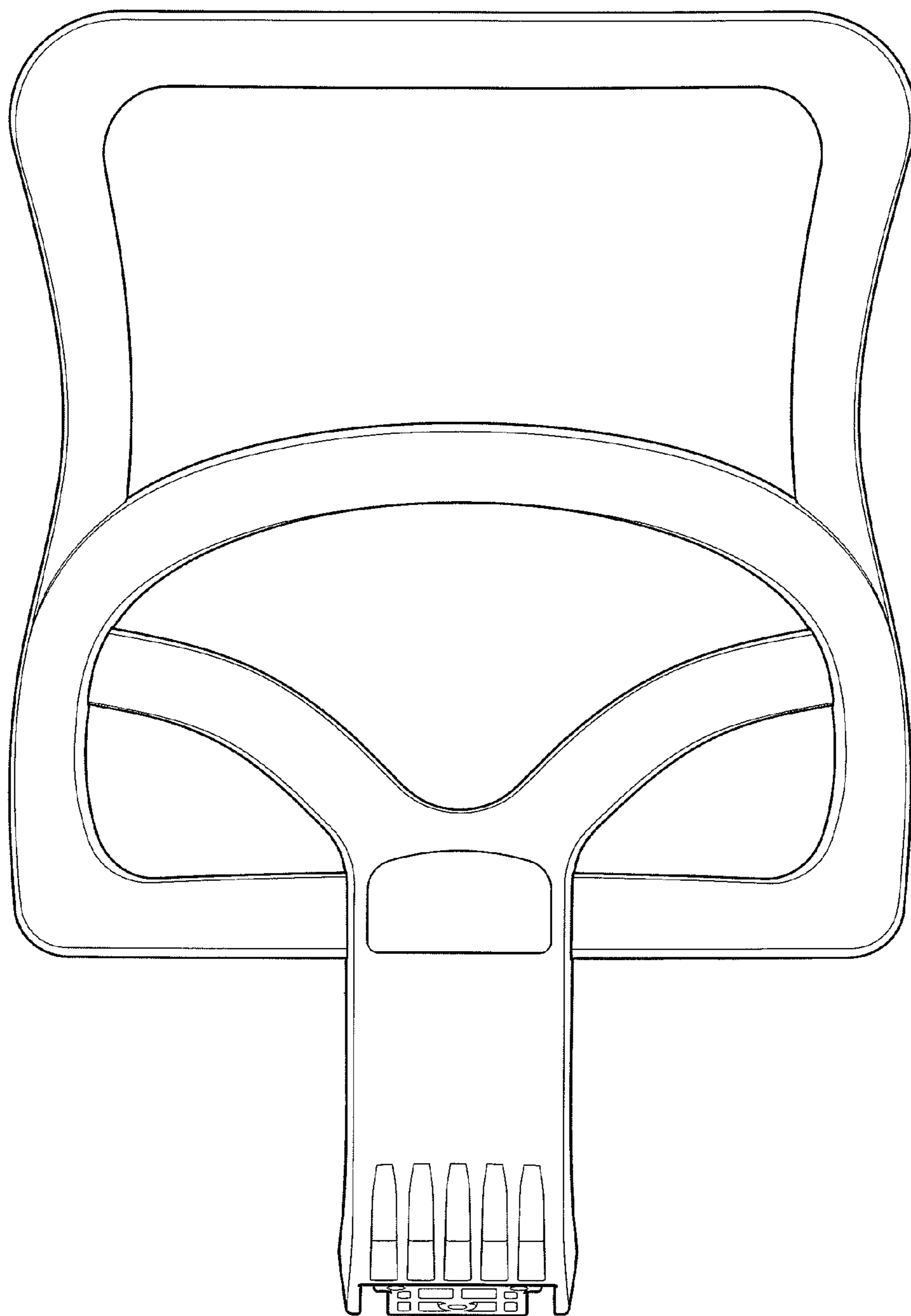


FIG. 3

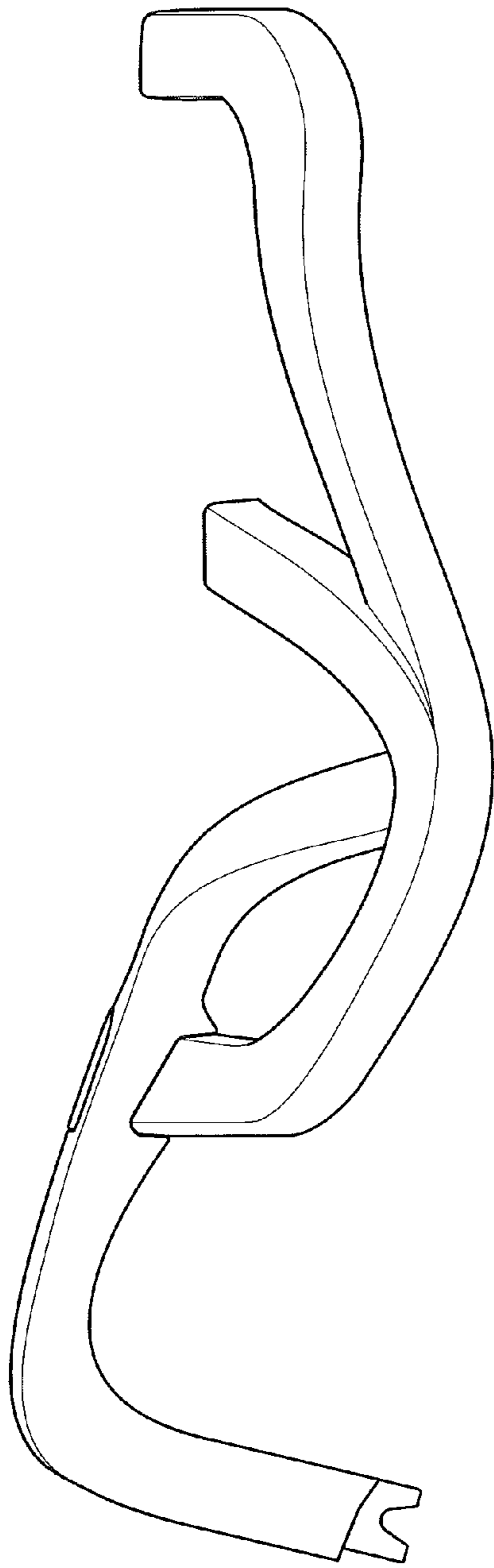


FIG. 4

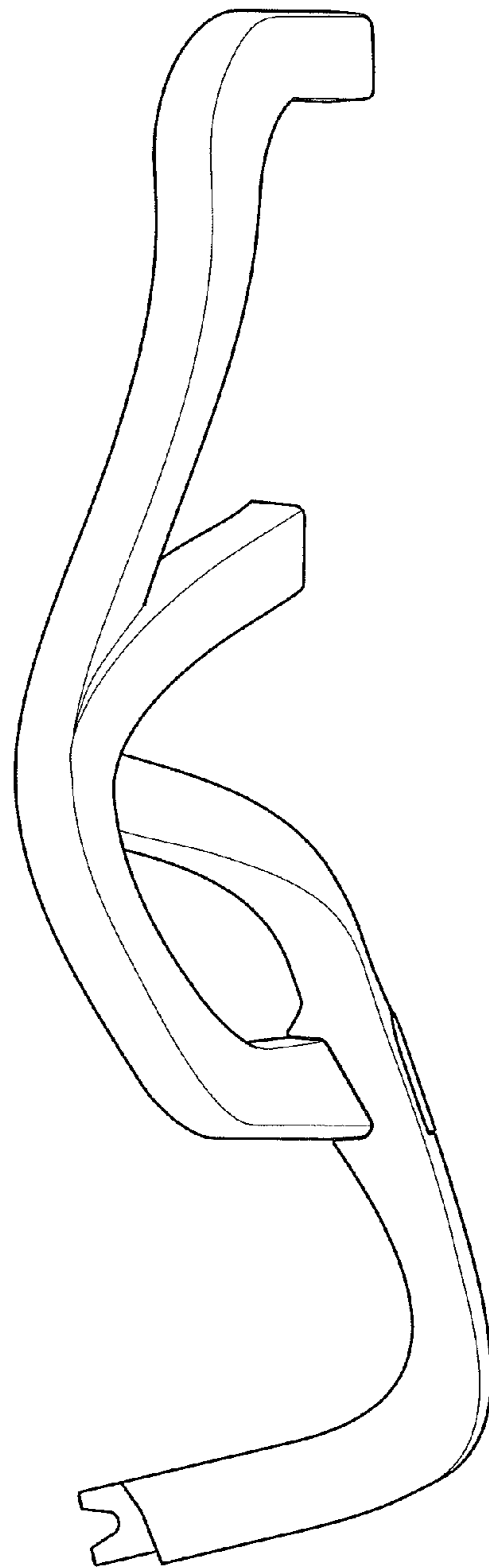


FIG. 5

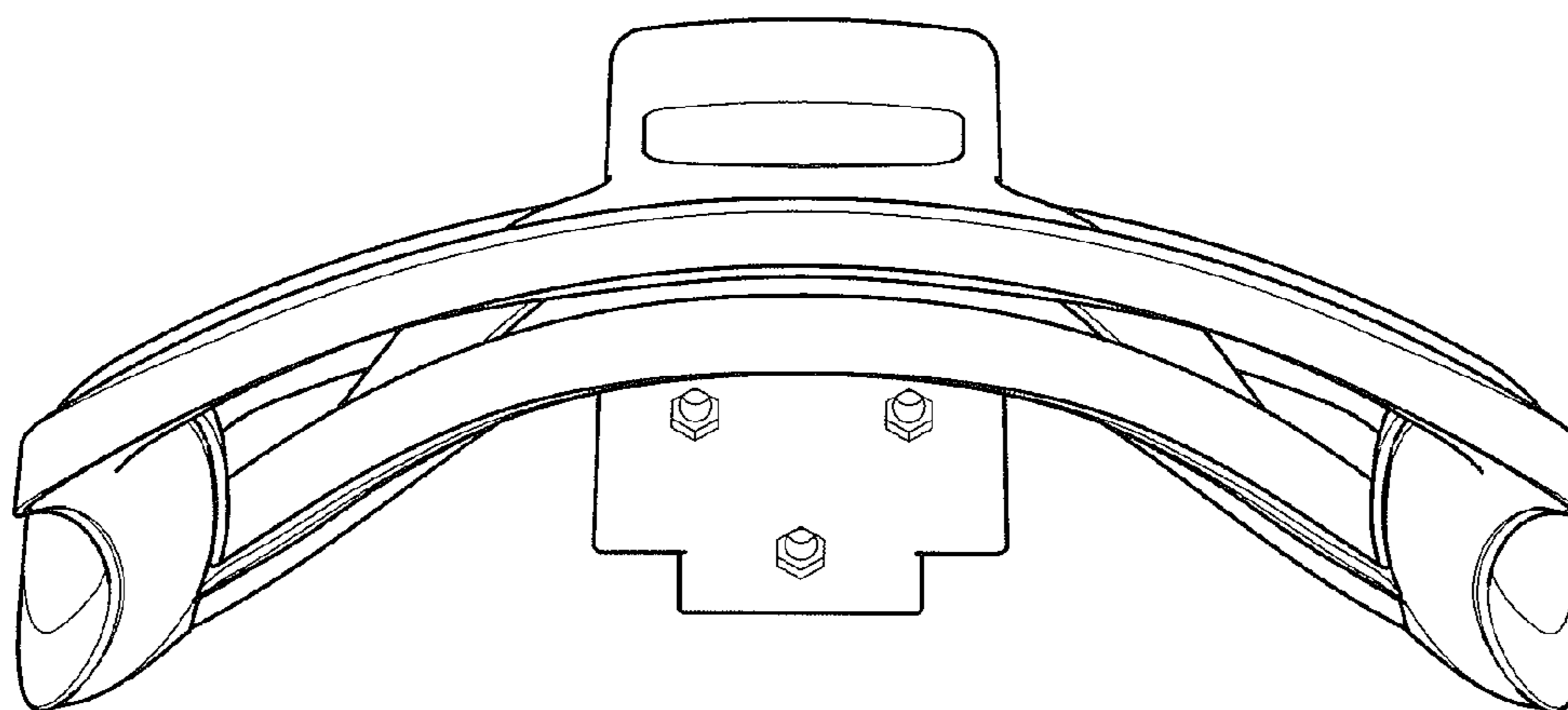


FIG. 6

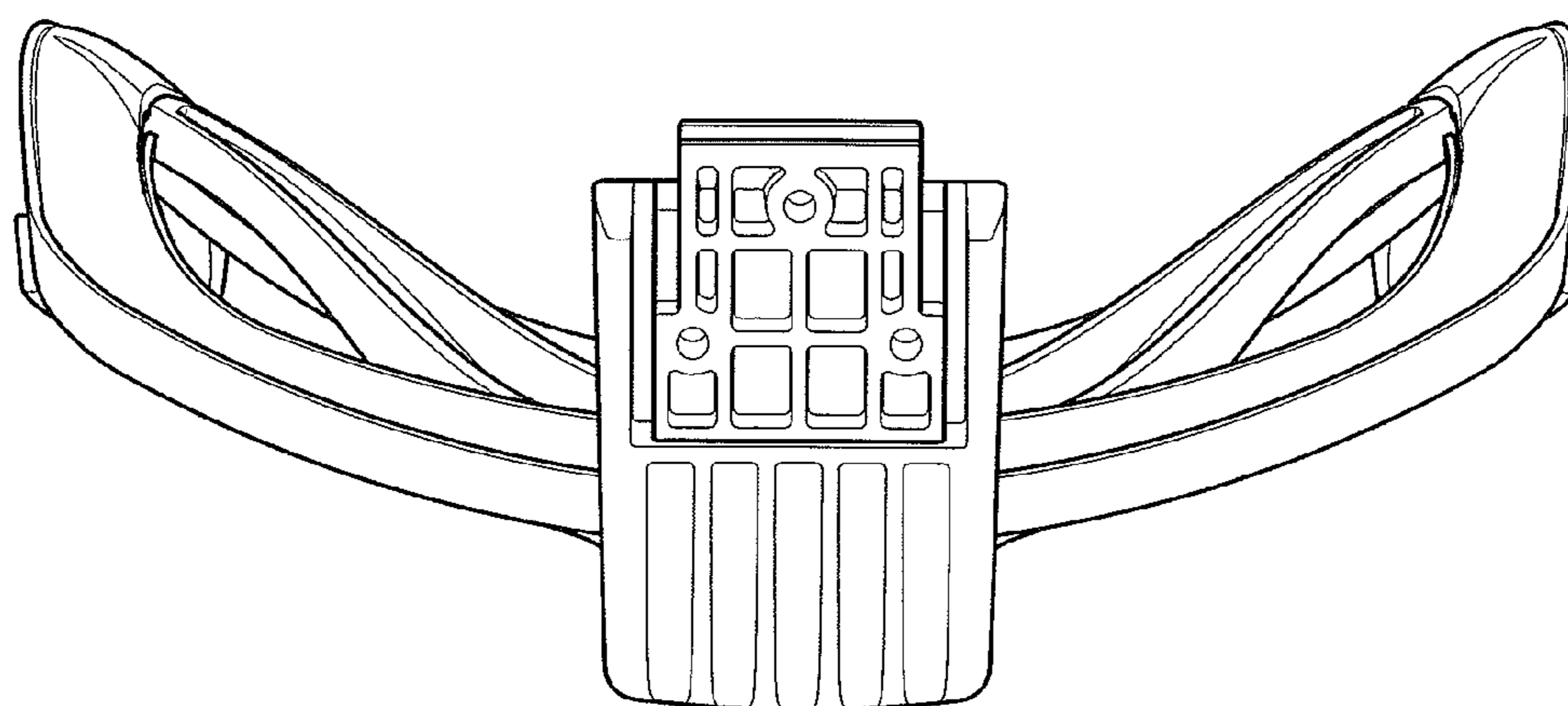


FIG. 7