



US00D708881S

(12) **United States Design Patent**
Howard et al.

(10) **Patent No.:** **US D708,881 S**
(45) **Date of Patent:** **** Jul. 15, 2014**

(54) **BACKREST FOR A MOTORIZED LIFT CHAIR**

(71) Applicants: **Angela Michelle Howard**, Tupelo, MS (US); **Judith Lynn DeShong**, Tupelo, MS (US)

(72) Inventors: **Angela Michelle Howard**, Tupelo, MS (US); **Judith Lynn DeShong**, Tupelo, MS (US)

(**) Term: **14 Years**

(21) Appl. No.: **29/457,459**

(22) Filed: **Jun. 10, 2013**

(51) **LOC (10) Cl.** **06-01**

(52) **U.S. Cl.**
USPC **D6/716.4**

(58) **Field of Classification Search**
USPC D6/334–336, 364, 365, 367, 374, 379, D6/380, 381, 716, 716.1, 716.2, 716.3, D6/716.4; 297/85 M, 217.3, 325, 329, 330, 297/344.23, DIG. 10; 244/151 R; D12/128, D12/131

See application file for complete search history.

(56) **References Cited**

U.S. PATENT DOCUMENTS

D45,279	S	*	2/1914	Walton	D6/716.4
5,076,644	A	*	12/1991	Northcutt	297/330
5,294,179	A	*	3/1994	Rudes et al.	297/330
5,895,093	A	*	4/1999	Casey et al.	297/344.23
D429,079	S	*	8/2000	Natuzzi et al.	D6/381
D430,738	S	*	9/2000	Zaidman	D6/334

6,533,353	B2	*	3/2003	Johnston	297/330
D488,628	S	*	4/2004	Natuzzi	D6/334
D489,187	S	*	5/2004	Natuzzi	D6/334
2002/0101103	A1	*	8/2002	Johnston	297/330
2006/0076813	A1	*	4/2006	Mohn et al.	297/330
2009/0146474	A1	*	6/2009	Welles et al.	297/217.3
2011/0291460	A1	*	12/2011	Murphy et al.	297/85 M

* cited by examiner

Primary Examiner — Mimoso De

(74) *Attorney, Agent, or Firm* — Jones Walker, LLP

(57) **CLAIM**

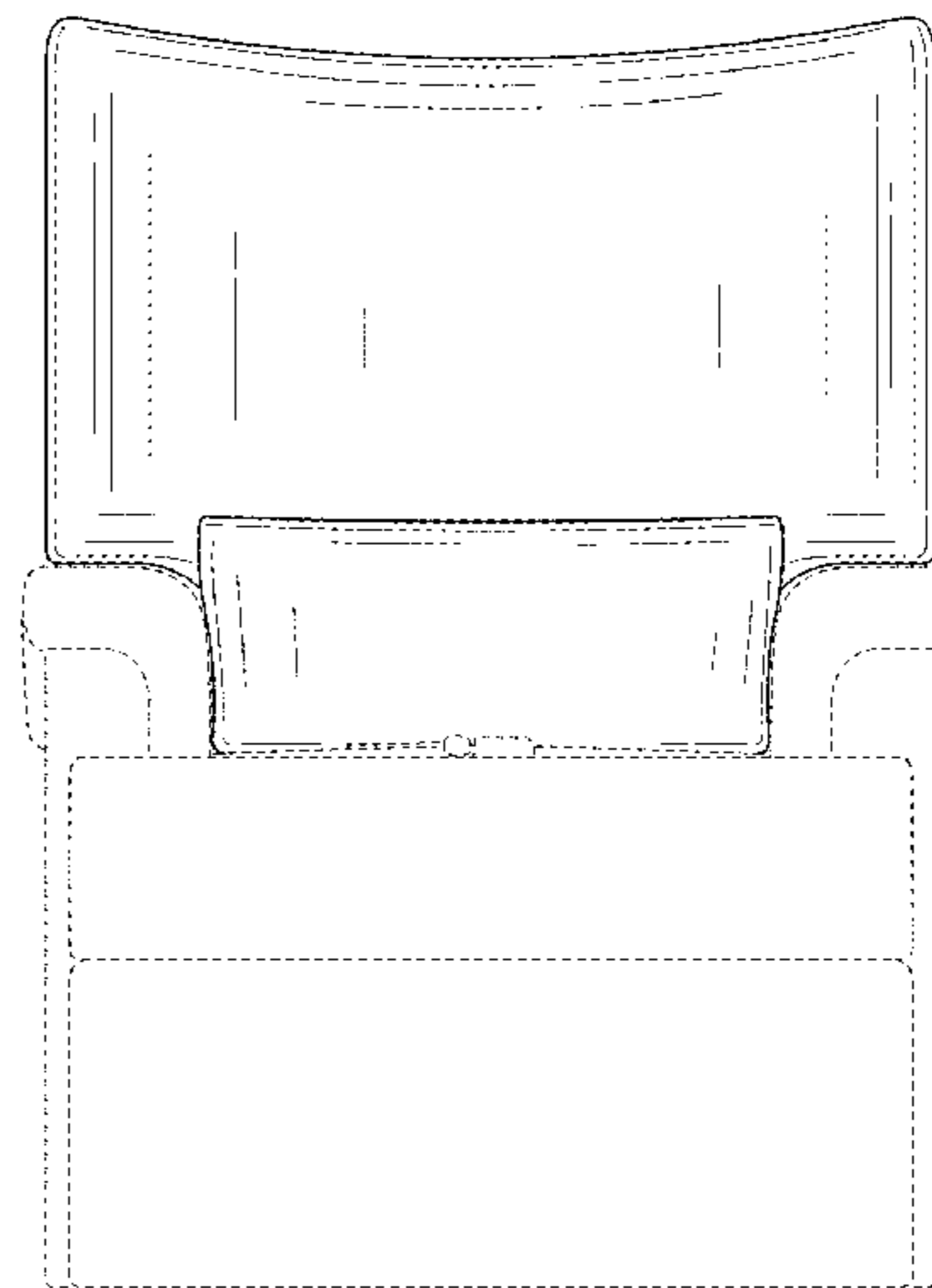
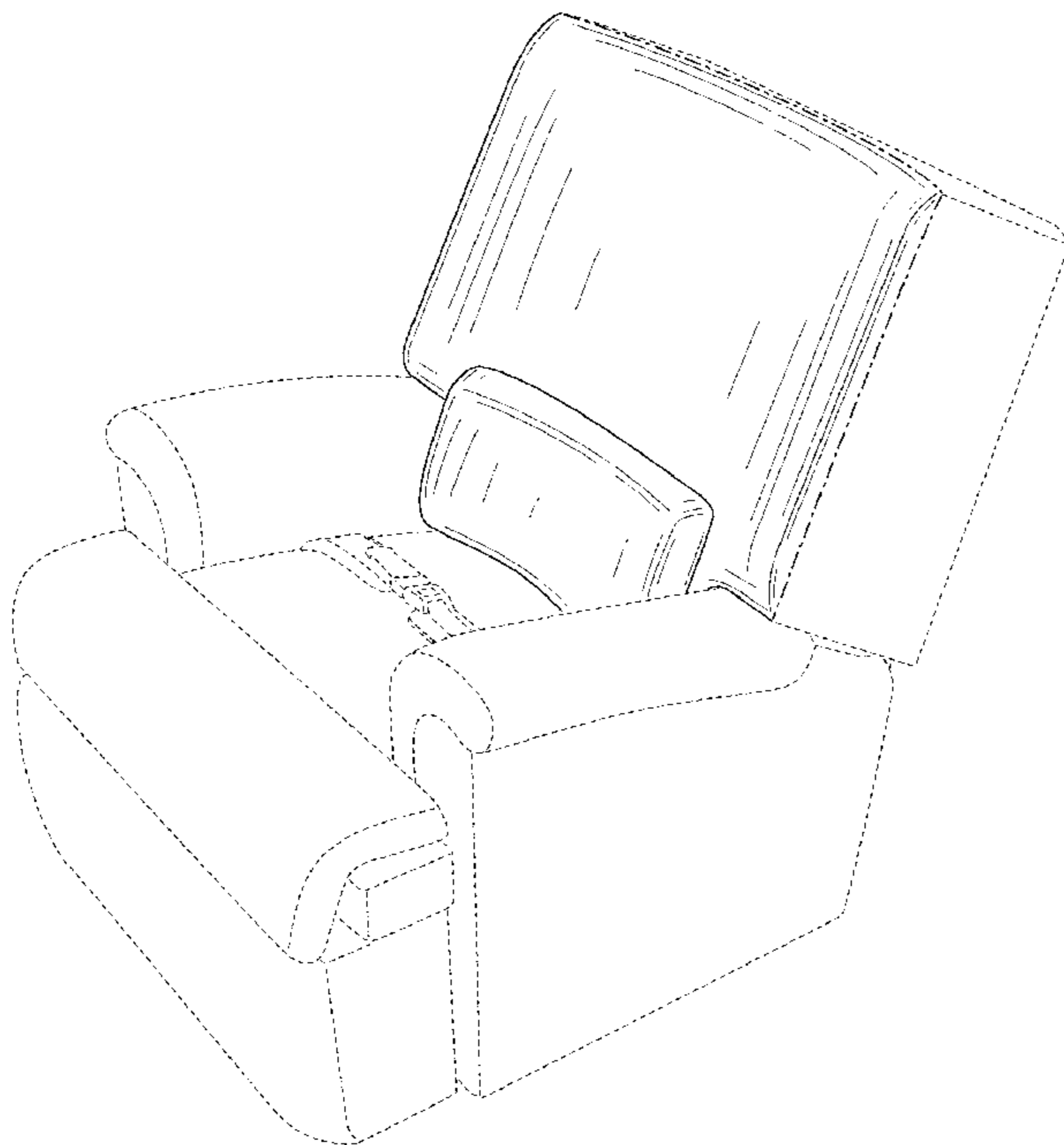
We claim the ornamental design for a backrest for a motorized lift chair, as shown and described.

DESCRIPTION

FIG. 1 is a top perspective view of a backrest for a motorized lift chair embodying the present invention;
FIG. 2 is a front view of the backrest for a motorized lift chair of FIG. 1;
FIG. 3 is a rear view of the backrest for a motorized lift chair of FIG. 1;
FIG. 4 is a right side view of the backrest for a motorized lift chair of FIG. 1;
FIG. 5 is a left side view of the backrest for a motorized lift chair of FIG. 1; and,
FIG. 6 is a top view of the backrest for a motorized lift chair of FIG. 1.

The broken lines shown herein are for illustrative purposes only and form no part of the claimed design.

1 Claim, 6 Drawing Sheets



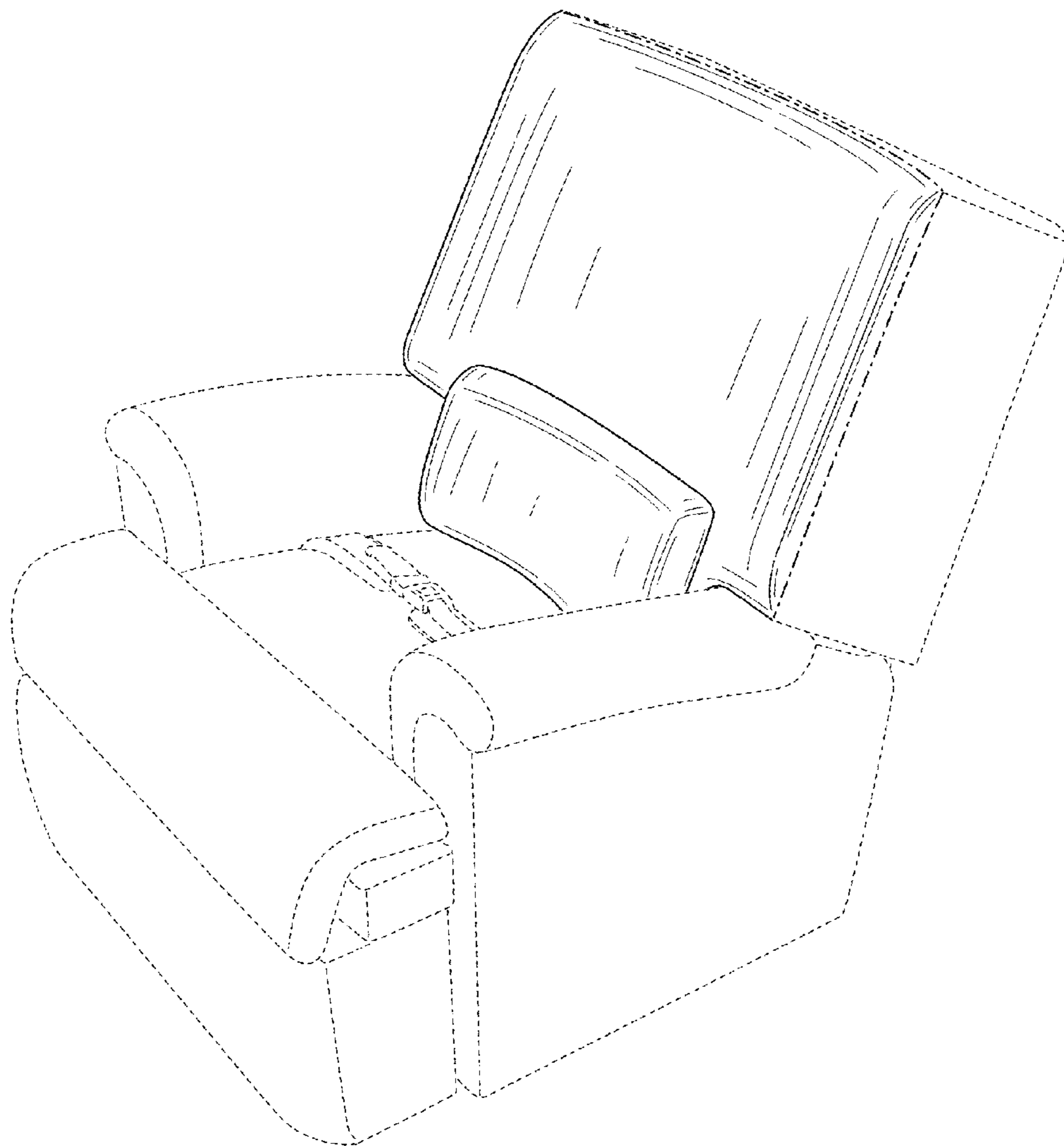


FIG. 1

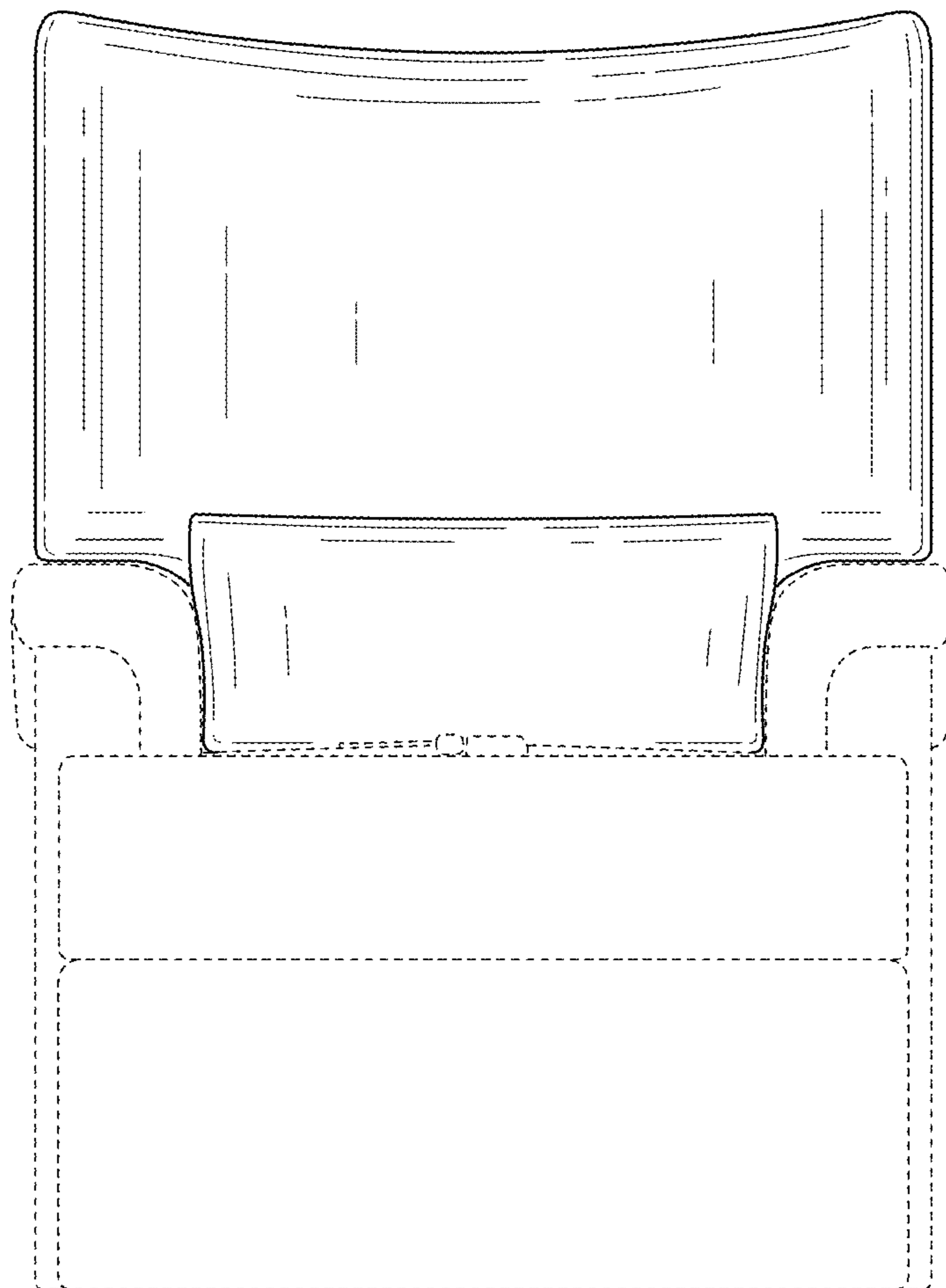


FIG. 2

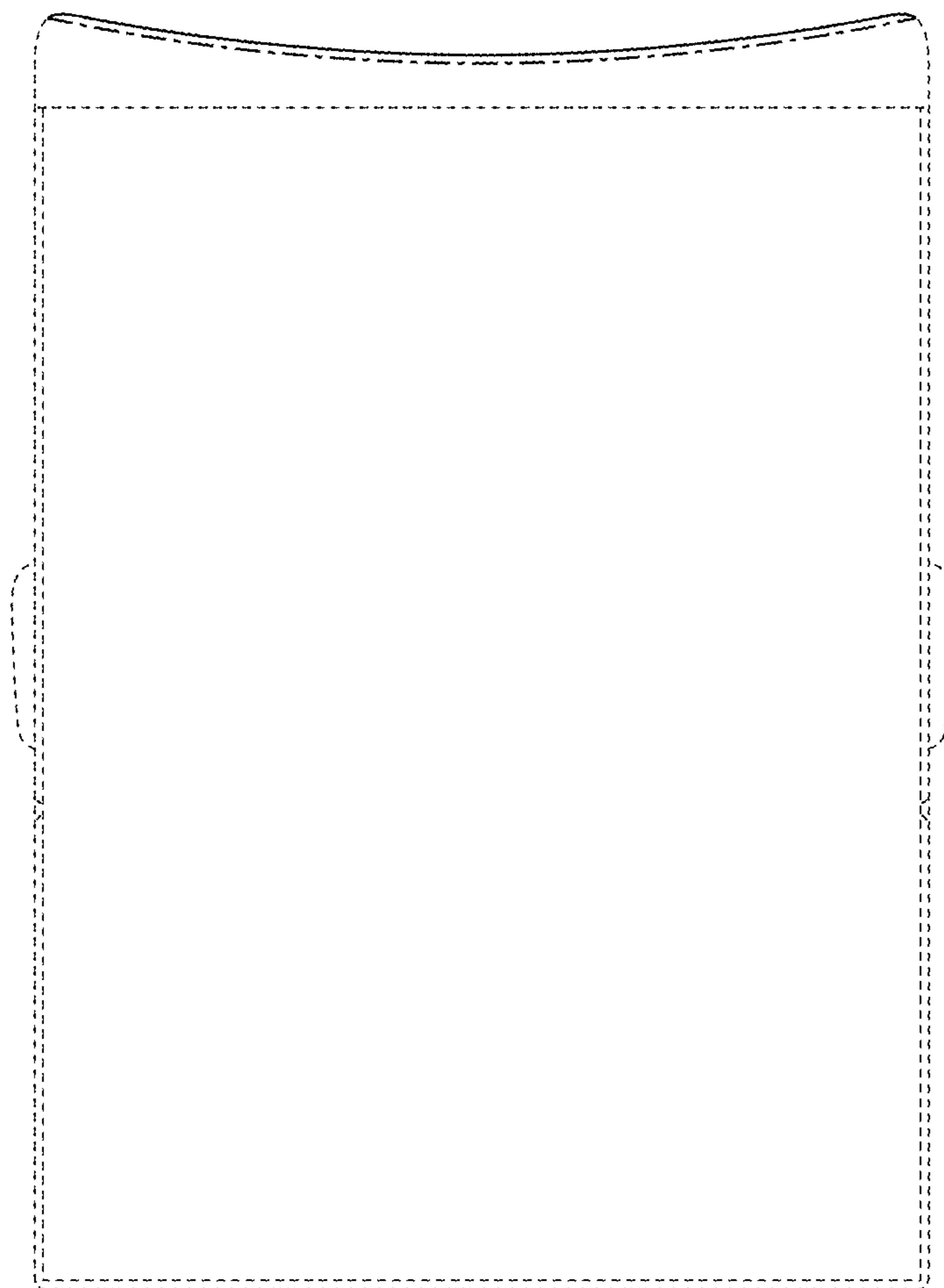


FIG. 3

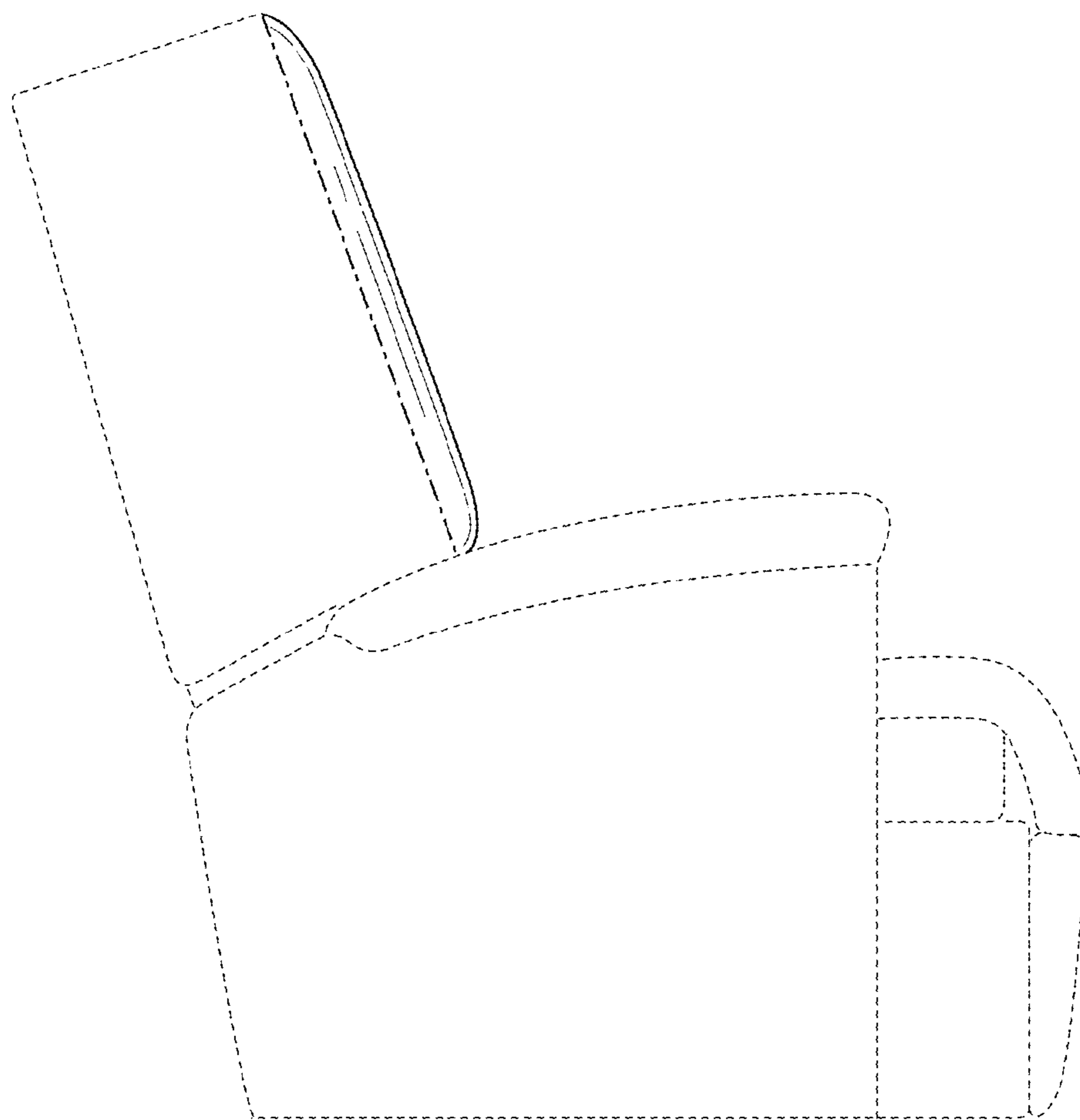


FIG. 4

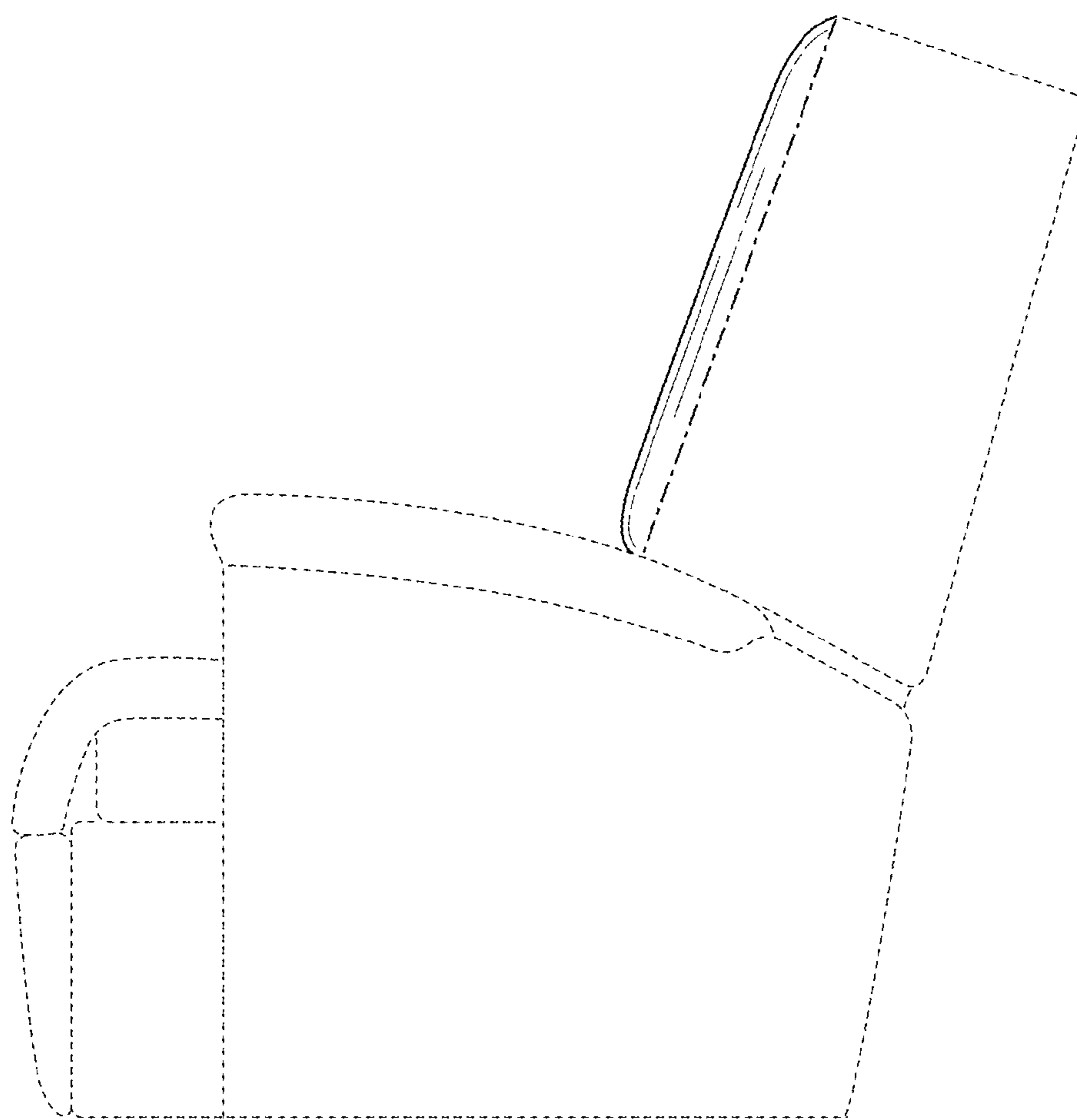


FIG. 5

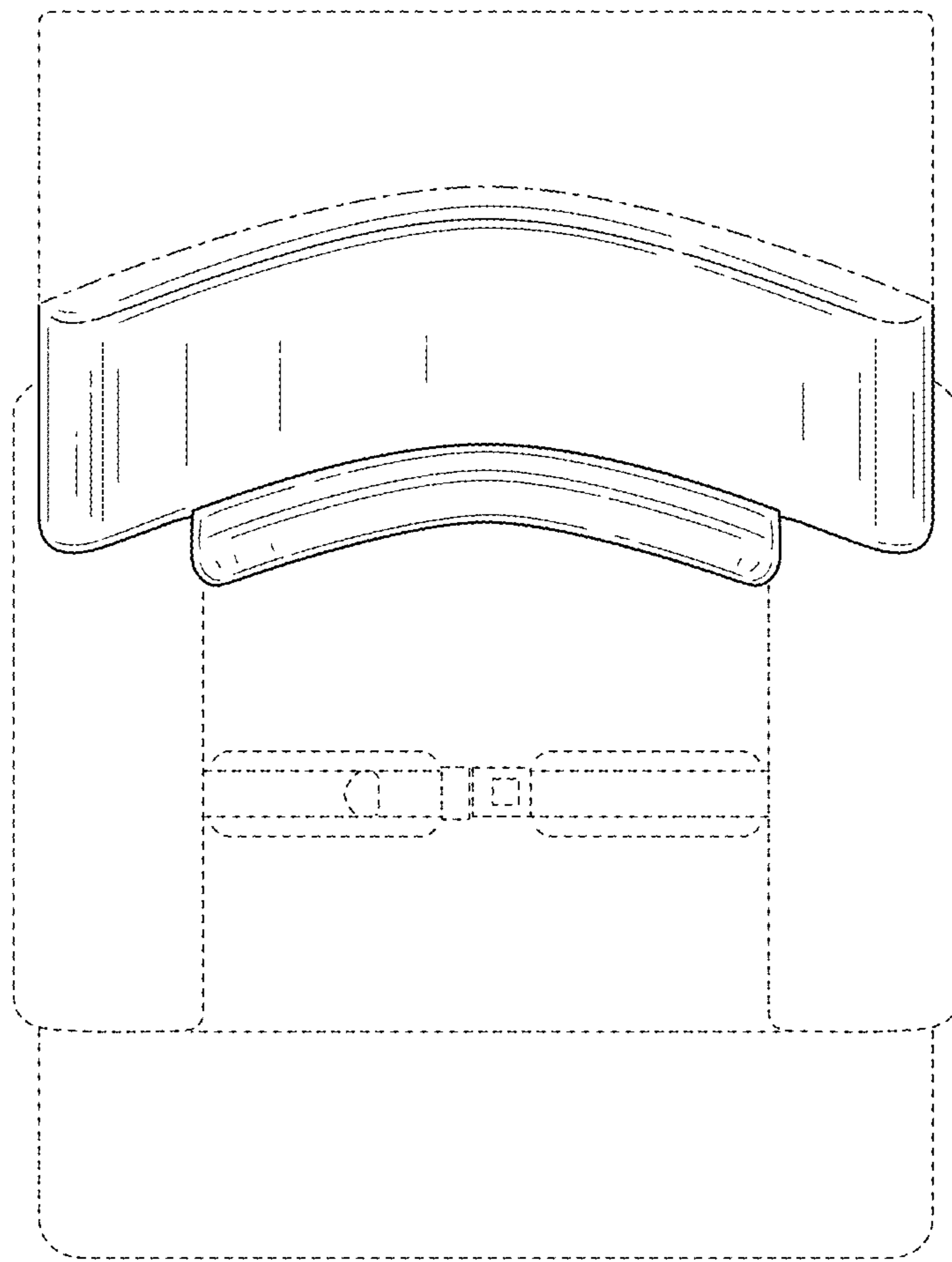


FIG. 6