



US00D708880S

(12) **United States Design Patent**
Howard et al.

(10) **Patent No.:** **US D708,880 S**
(45) **Date of Patent:** **** Jul. 15, 2014**

(54) **BACKREST FOR A MOTORIZED LIFT CHAIR**

(71) Applicants: **Angela Michelle Howard**, Tupelo, MS (US); **Judith Lynn DeShong**, Tupelo, MS (US)

(72) Inventors: **Angela Michelle Howard**, Tupelo, MS (US); **Judith Lynn DeShong**, Tupelo, MS (US)

(**) Term: **14 Years**

(21) Appl. No.: **29/457,454**

(22) Filed: **Jun. 10, 2013**

(51) **LOC (10) Cl.** **06-01**

(52) **U.S. Cl.**
USPC **D6/716.4**

(58) **Field of Classification Search**
USPC D6/334–336, 364, 365, 367, 374, 379, D6/380, 381, 716, 716.1, 716.2, 716.3, D6/716.4; 297/85 M, 217.3, 325, 329, 330, 297/344.23, 467, 486, 487, 488, DIG. 10; 244/151 R; D12/128, 131
See application file for complete search history.

(56) **References Cited**

U.S. PATENT DOCUMENTS

- 4,488,691 A * 12/1984 Lorch 244/151 R
- 4,738,413 A * 4/1988 Spinoso et al. 244/151 R
- 5,076,644 A * 12/1991 Northcutt 297/330
- 5,294,179 A * 3/1994 Rudes et al. 297/330

- 5,895,093 A * 4/1999 Casey et al. 297/330
- D429,079 S * 8/2000 Natuzzi et al. D6/381
- D430,738 S * 9/2000 Zaidman D6/334
- 6,533,353 B2 * 3/2003 Johnston 297/330
- D488,628 S * 4/2004 Natuzzi D6/334
- D489,187 S * 5/2004 Natuzzi D6/334
- 2002/0101103 A1 * 8/2002 Johnston 297/330
- 2006/0076813 A1 * 4/2006 Mohn et al. 297/330
- 2009/0146474 A1 * 6/2009 Welles et al. 297/217.3
- 2011/0291460 A1 * 12/2011 Murphy et al. 297/85 M

* cited by examiner

Primary Examiner — Mimosa De

(74) *Attorney, Agent, or Firm* — Jones Walker, LLP

(57) **CLAIM**

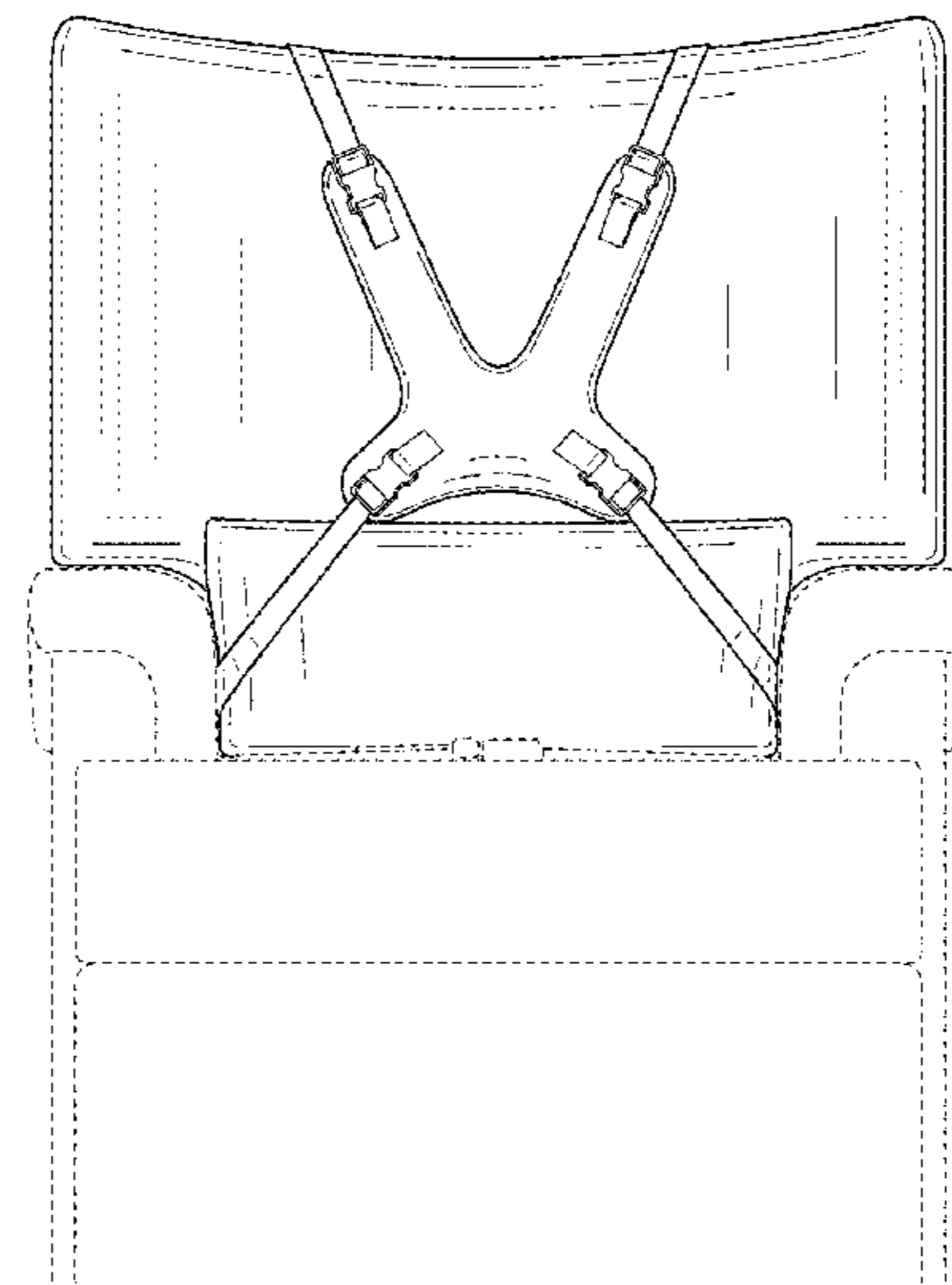
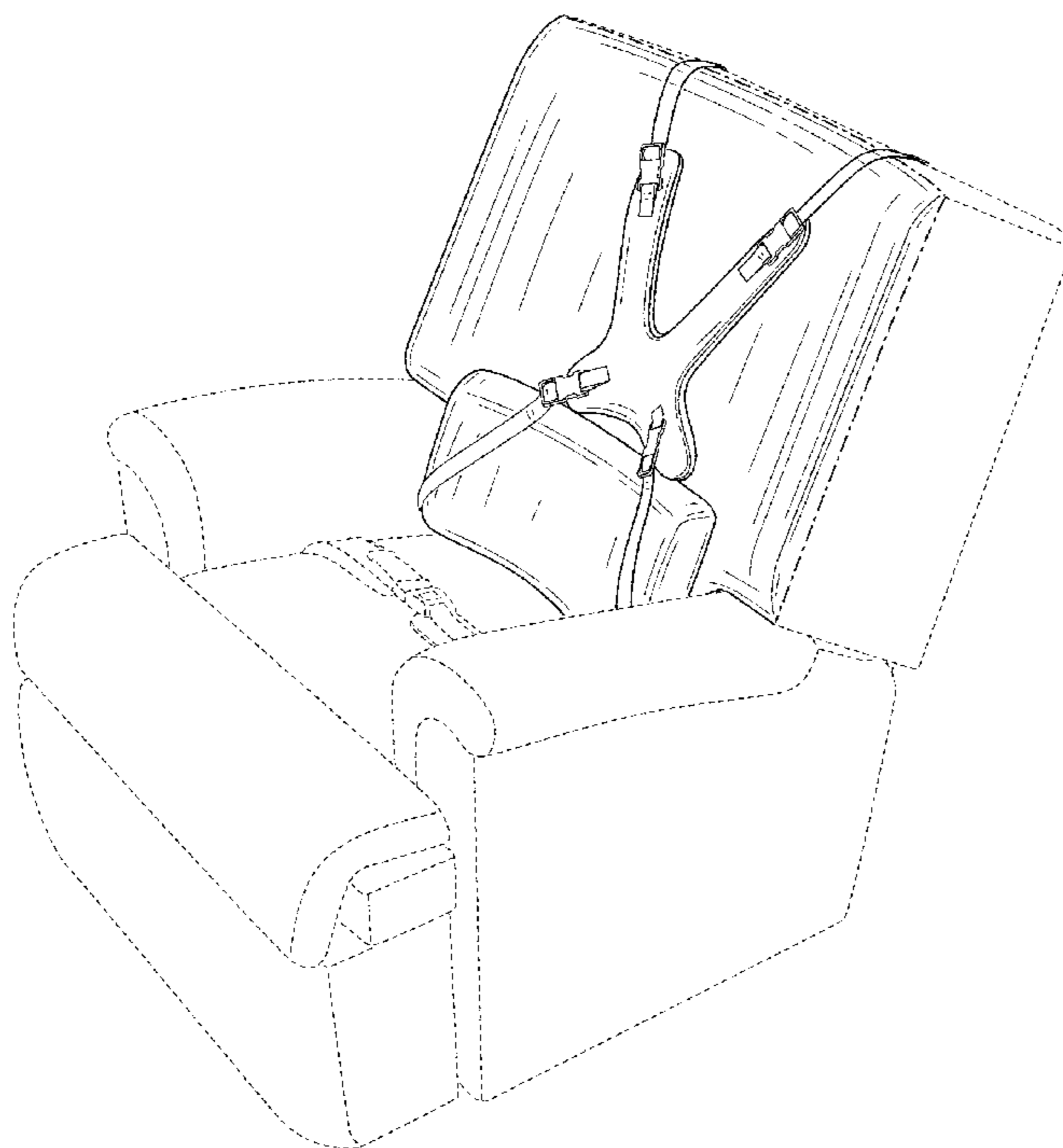
We claim the ornamental design for a backrest for a motorized lift chair, as shown and described.

DESCRIPTION

FIG. 1 is a top perspective view of a backrest for a motorized lift chair embodying the present invention;
 FIG. 2 is a front view of the backrest for a motorized lift chair of FIG. 1;
 FIG. 3 is a rear view of the backrest for a motorized lift chair of FIG. 1;
 FIG. 4 is a right side view of the backrest for a motorized lift chair of FIG. 1;
 FIG. 5 is a left side view of the backrest for a motorized lift chair of FIG. 1; and,
 FIG. 6 is a top view of the backrest for a motorized lift chair of FIG. 1.

The broken lines shown herein are for illustrative purposes only and form no part of the claimed design.

1 Claim, 6 Drawing Sheets



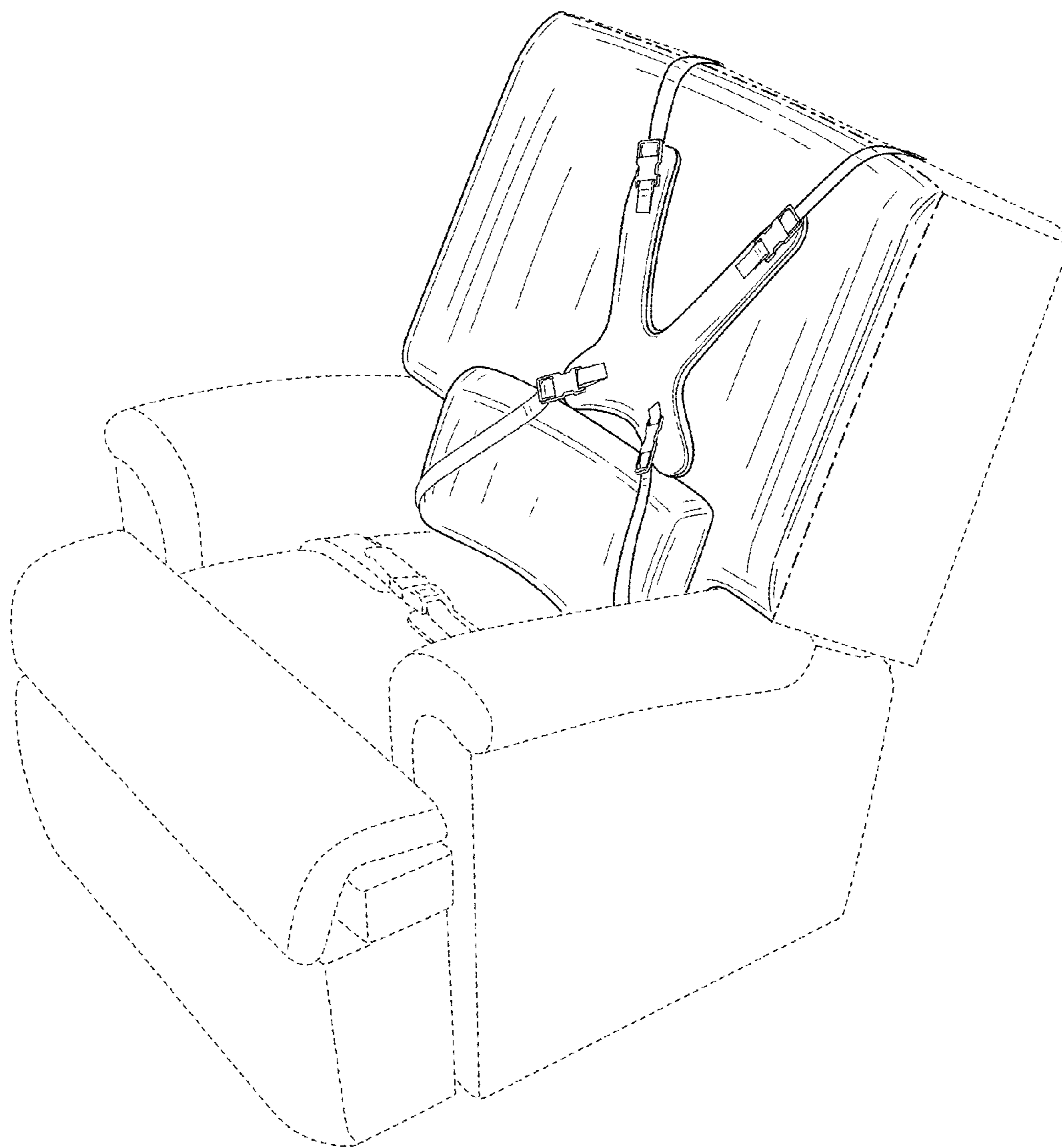


FIG. 1

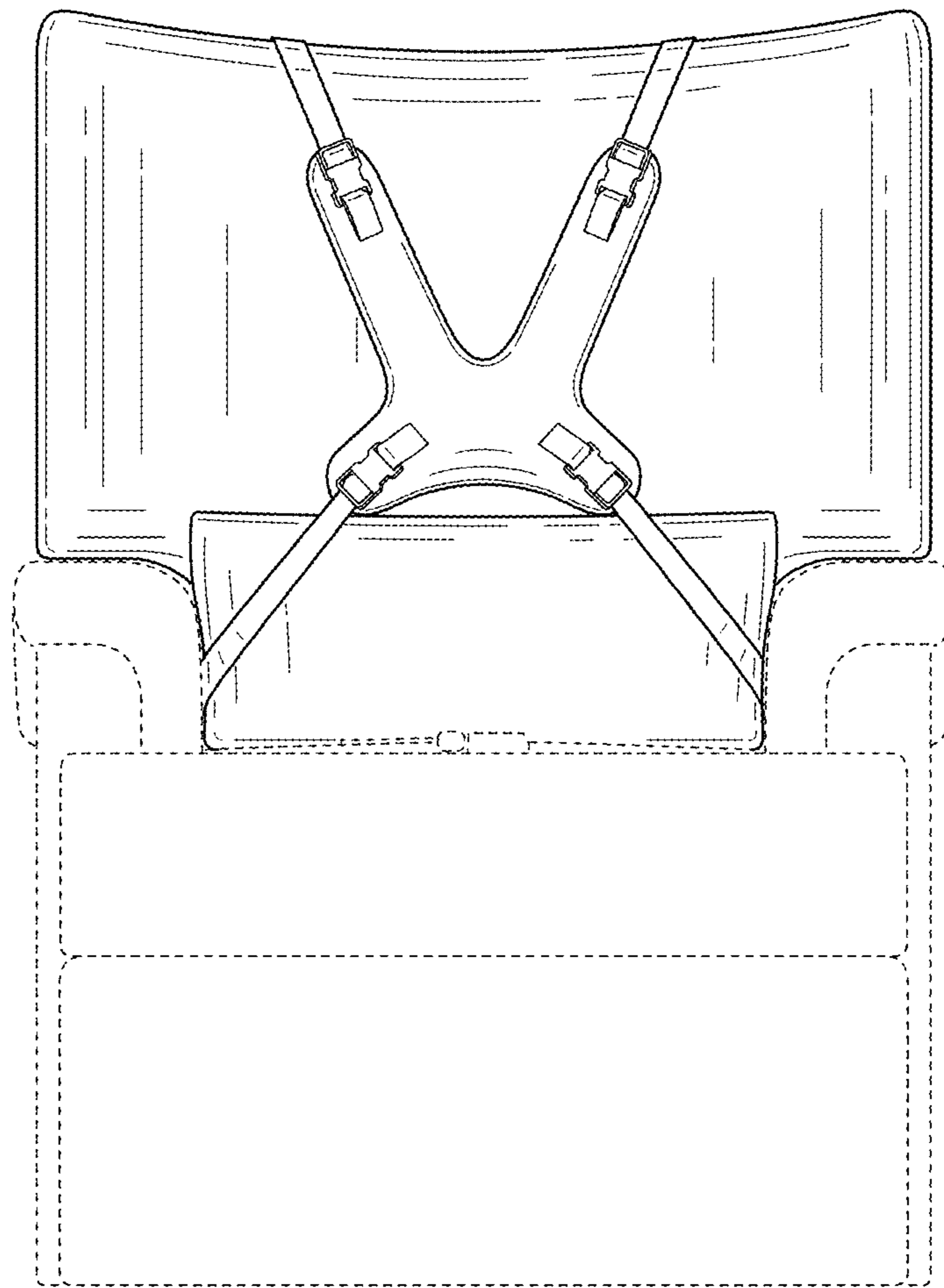


FIG. 2

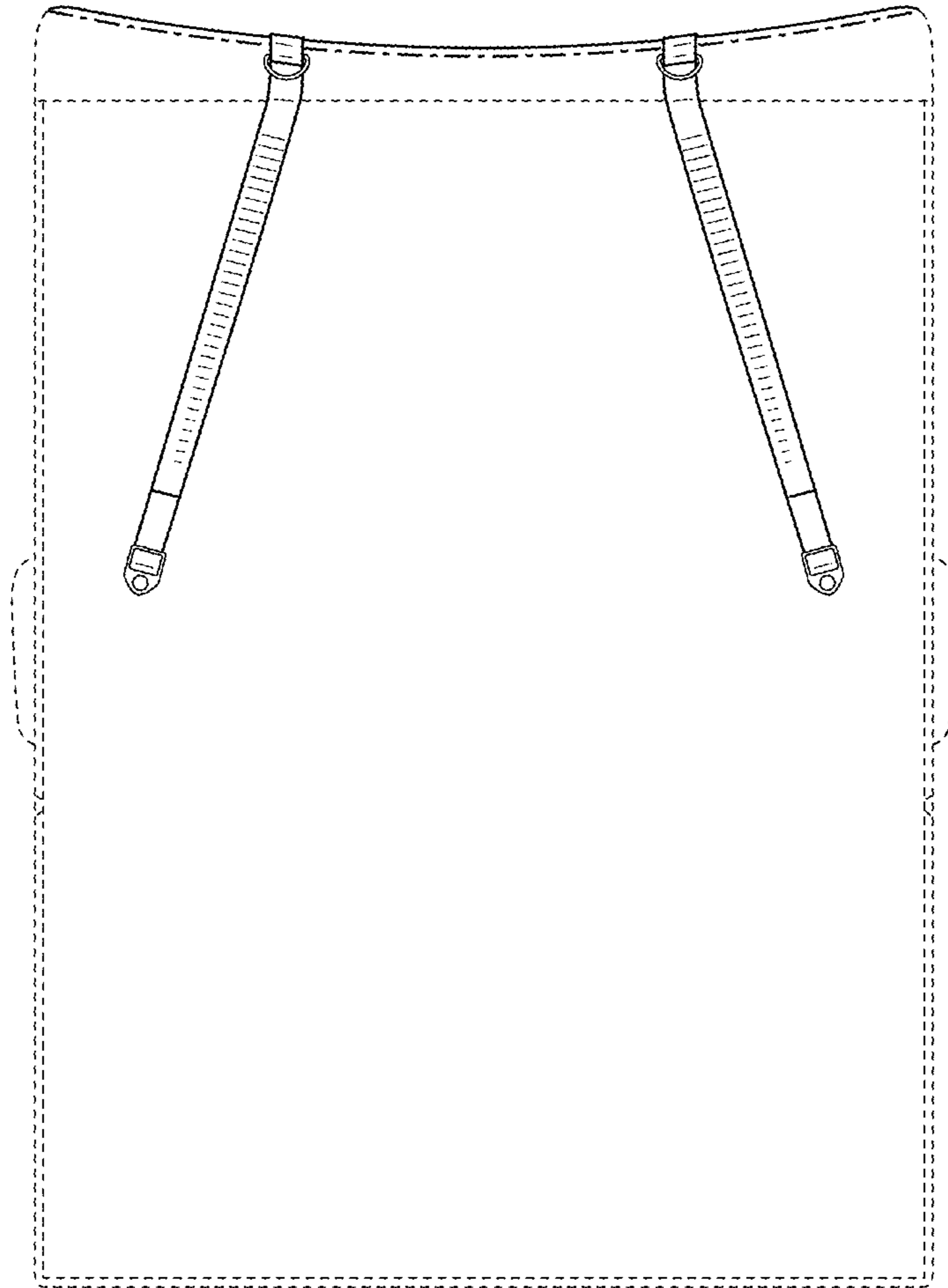


FIG. 3

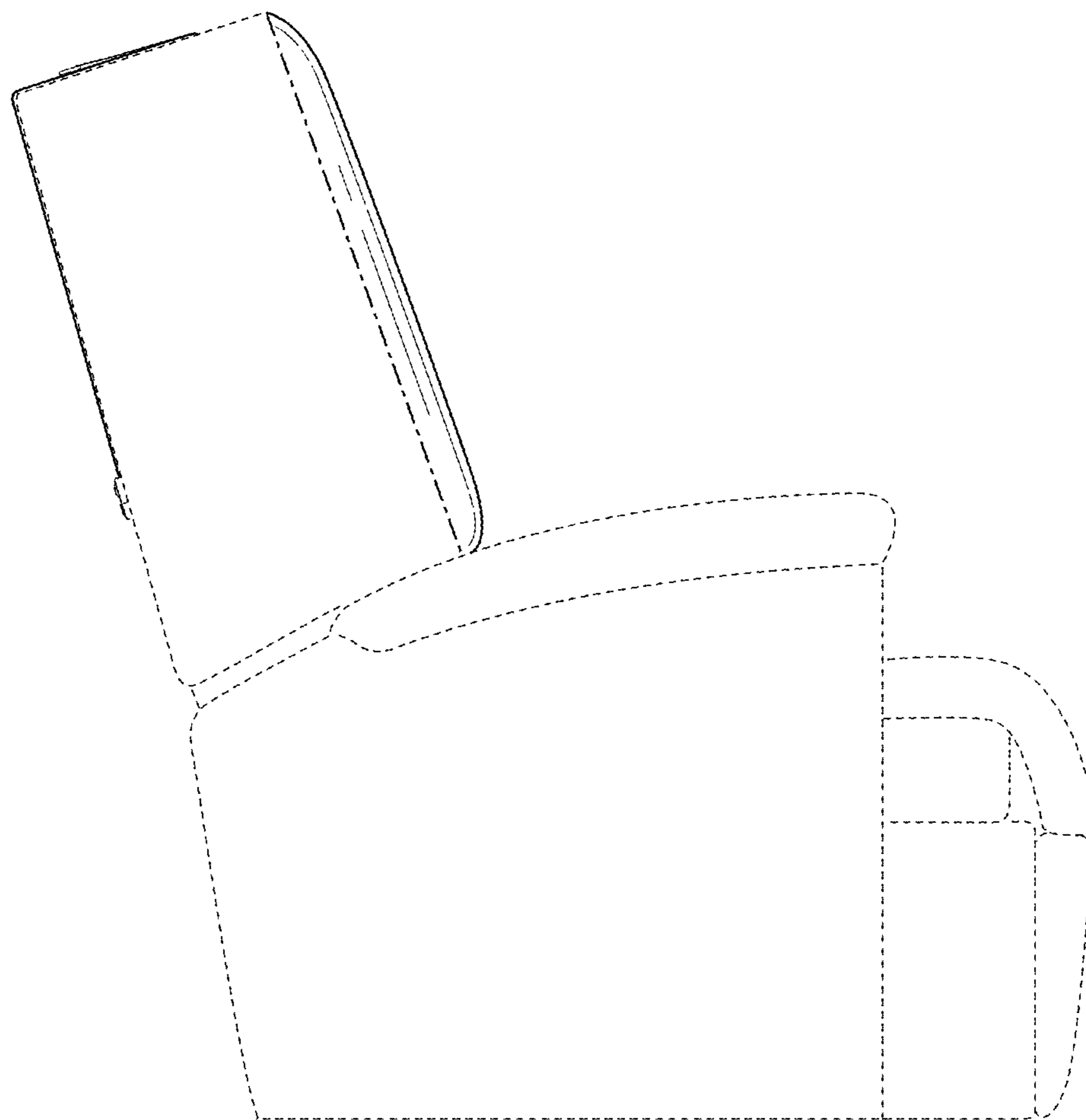


FIG. 4

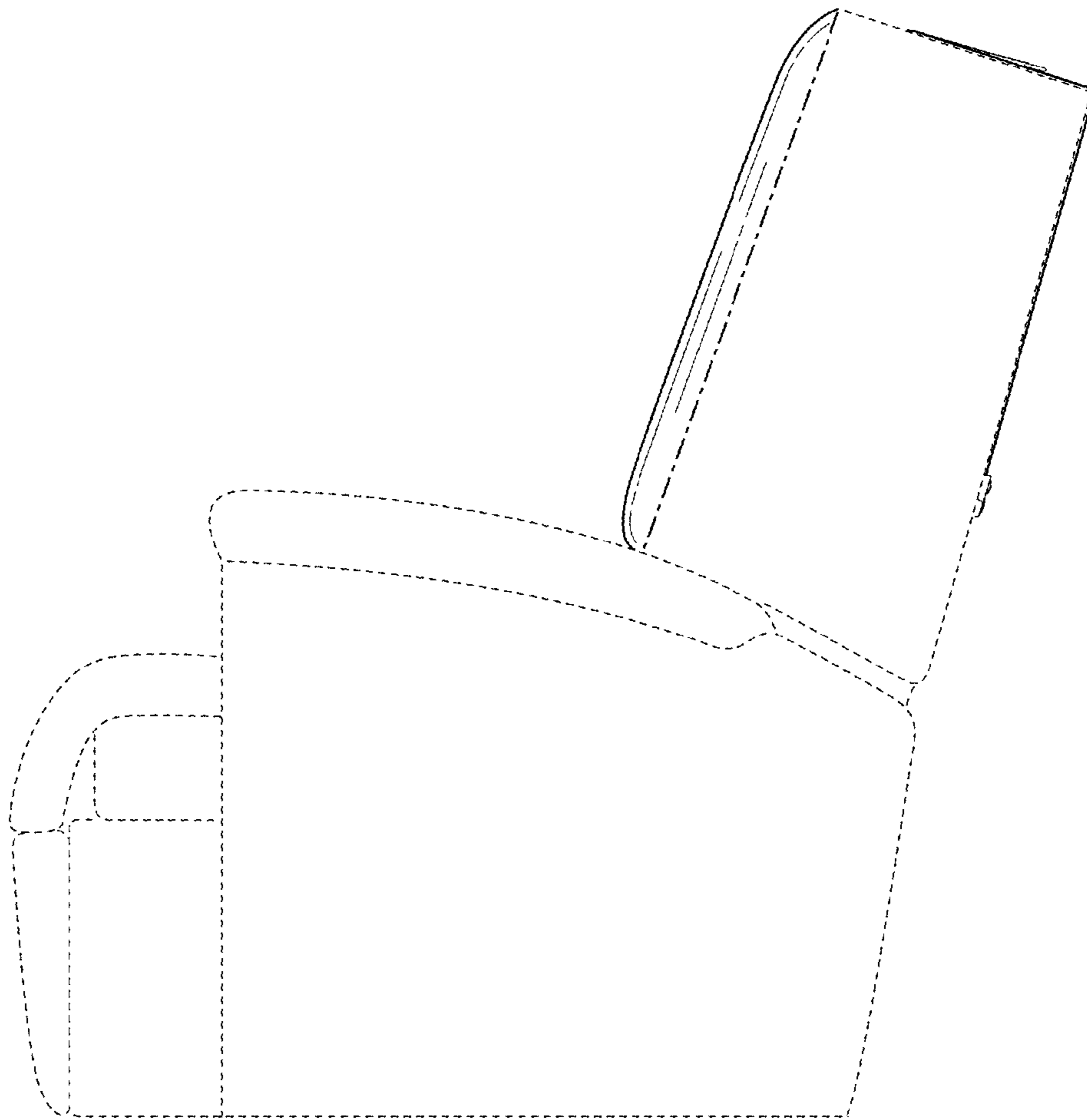


FIG. 5

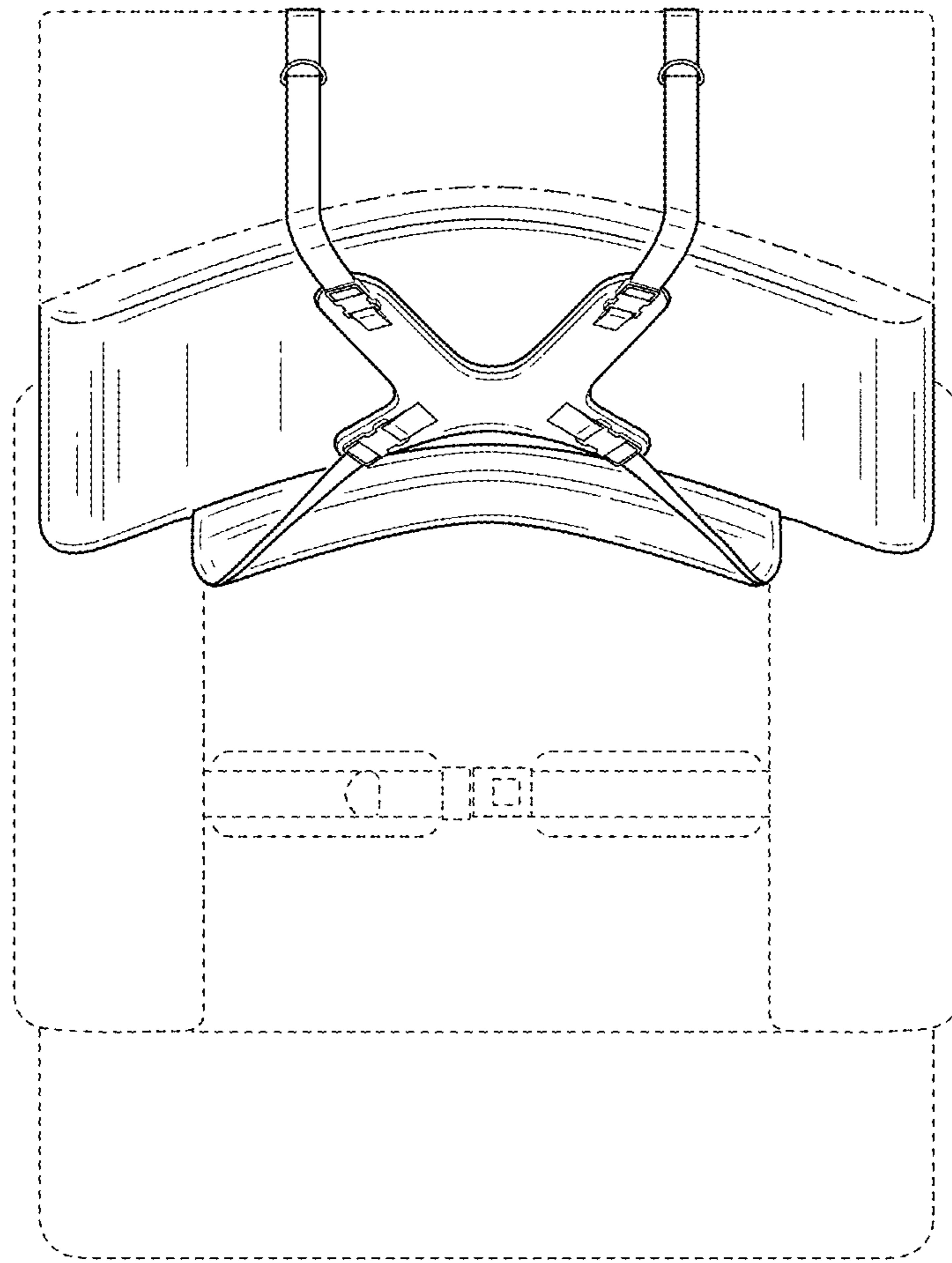


FIG. 6