



US00D708879S

(12) **United States Design Patent**  
**Tsai**

(10) **Patent No.:** **US D708,879 S**  
(45) **Date of Patent:** **\*\* Jul. 15, 2014**

(54) **CHAIR SEAT FRAME**

(71) Applicant: **Hsuan-Chin Tsai**, Chai-Yi Hsien (TW)

(72) Inventor: **Hsuan-Chin Tsai**, Chai-Yi Hsien (TW)

(73) Assignee: **Zongshan Shi Songlin Furniture Co., Ltd**, Zhongshan (CN)

(\*\*) Term: **14 Years**

(21) Appl. No.: **29/472,621**

(22) Filed: **Nov. 14, 2013**

(51) **LOC (10) Cl.** ..... **06-01**

(52) **U.S. Cl.**  
USPC ..... **D6/716**

(58) **Field of Classification Search**

CPC ..... B60N 2/66; A47C 7/40; A47C 7/46;  
A47C 7/54; A47C 7/282; A47C 7/462;  
A47C 7/546

USPC ..... D6/334-336, 364, 365, 366, 369, 374,  
D6/376, 379, 380, 716, 716.1, 716.2,  
D6/716.3, 716.4; 297/411.28, 284.4,  
297/284.7, 452.13, 452.29, 452.3, 452.46,  
297/452.56, 452.64

See application file for complete search history.

(56) **References Cited**

U.S. PATENT DOCUMENTS

D613,085	S	*	4/2010	Fujita	.....	D6/366
D645,684	S	*	9/2011	Chen	.....	D6/716.4
D670,927	S	*	11/2012	Hurford	.....	D6/366
D671,332	S	*	11/2012	Izawa	.....	D6/366
D683,551	S	*	6/2013	Wu	.....	D6/366
D687,660	S	*	8/2013	Hsuan-Chin	.....	D6/716.4
2014/0054947	A1	*	2/2014	Su	.....	297/452.18

\* cited by examiner

*Primary Examiner* — Mimosa De

(74) *Attorney, Agent, or Firm* — Alan Kamrath; Kamrath IP Lawfirm, P.A.

(57) **CLAIM**

The ornamental design for a chair seat frame, as shown and described.

**DESCRIPTION**

FIG. 1 is a perspective view of an applicator, showing my new design;

FIG. 2 is a front elevational view thereof;

FIG. 3 is a rear elevational view thereof;

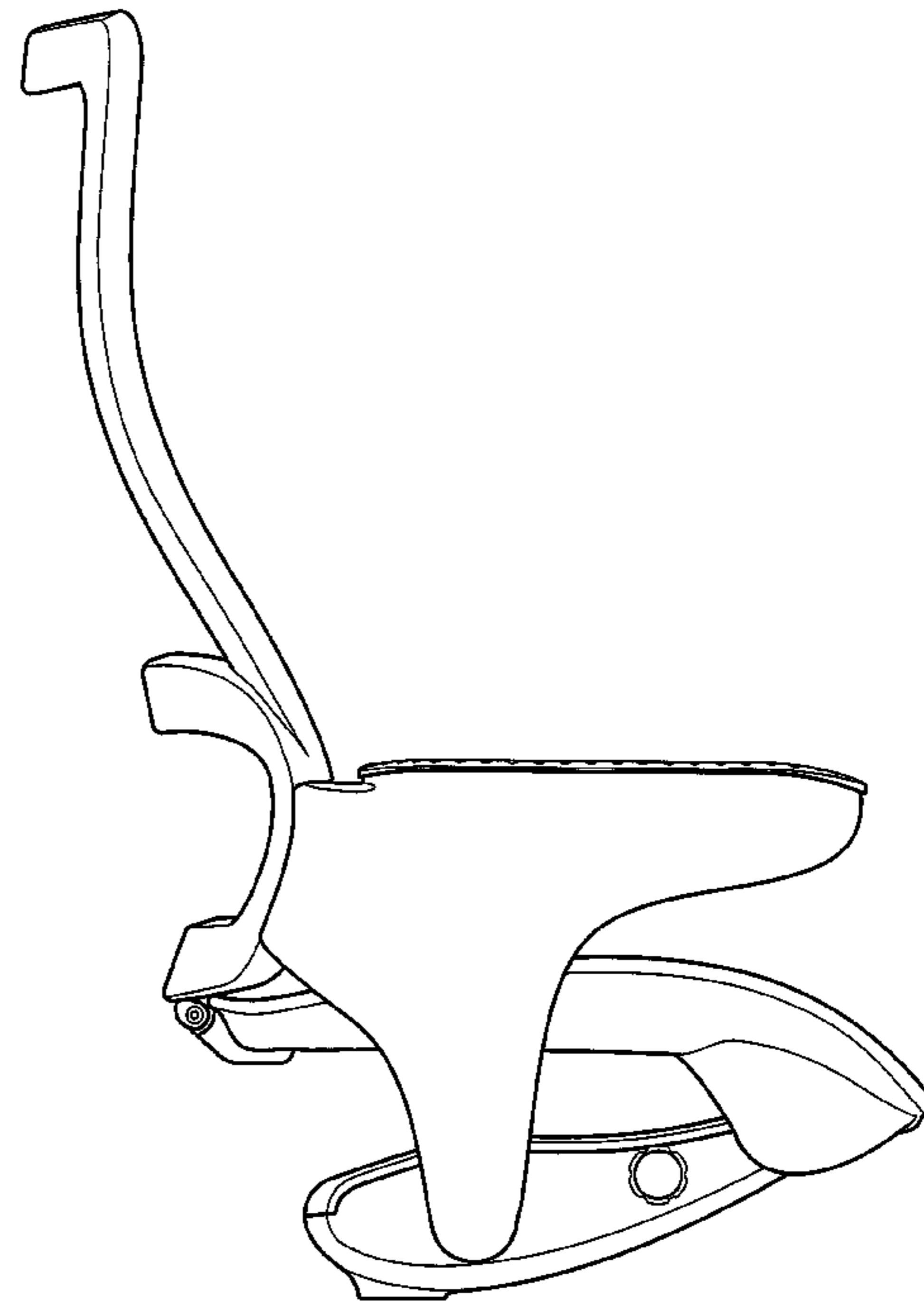
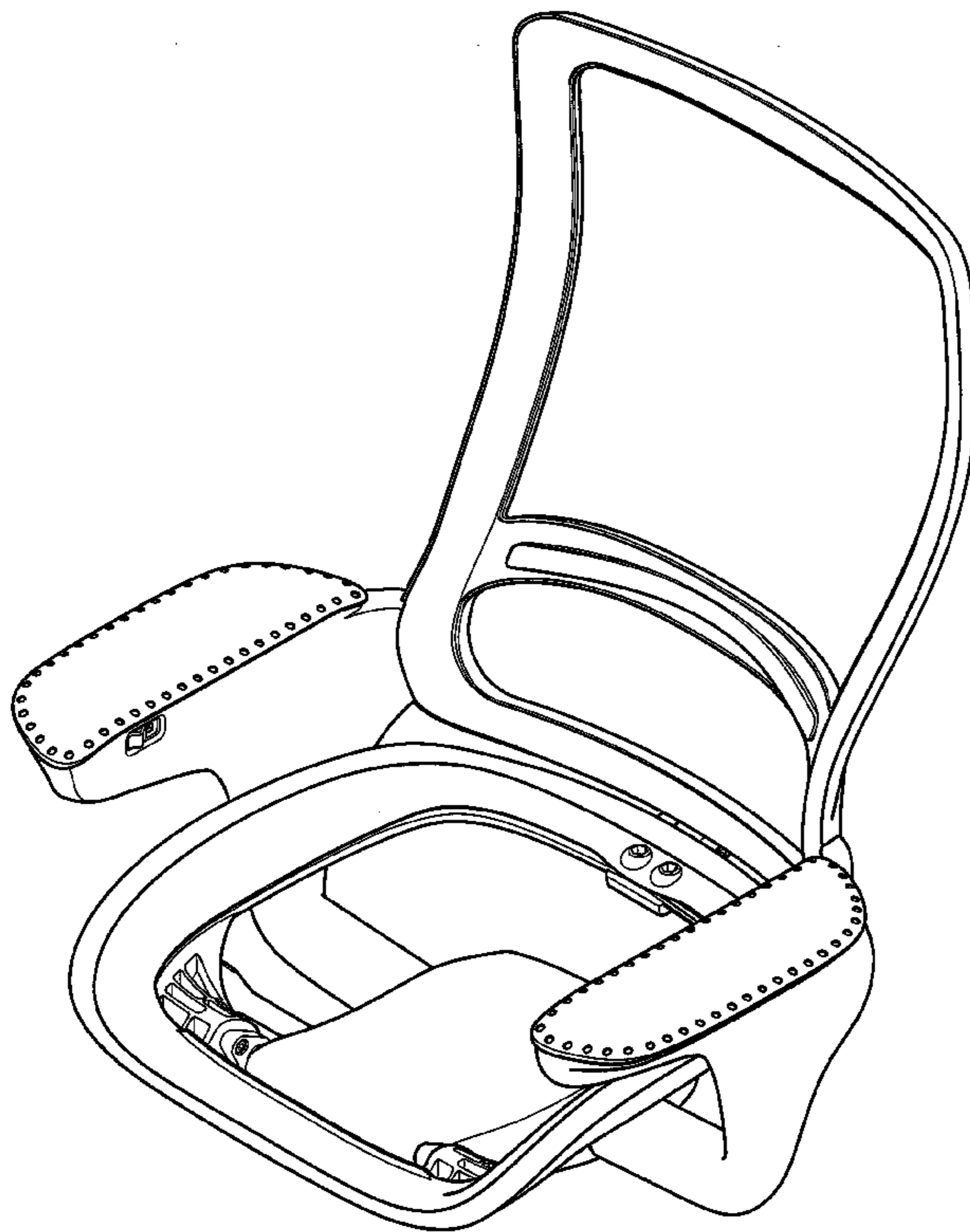
FIG. 4 is a left side view thereof;

FIG. 5 is a right side view thereof;

FIG. 6 is a top plan view thereof; and,

FIG. 7 is a bottom plan view thereof.

**1 Claim, 7 Drawing Sheets**



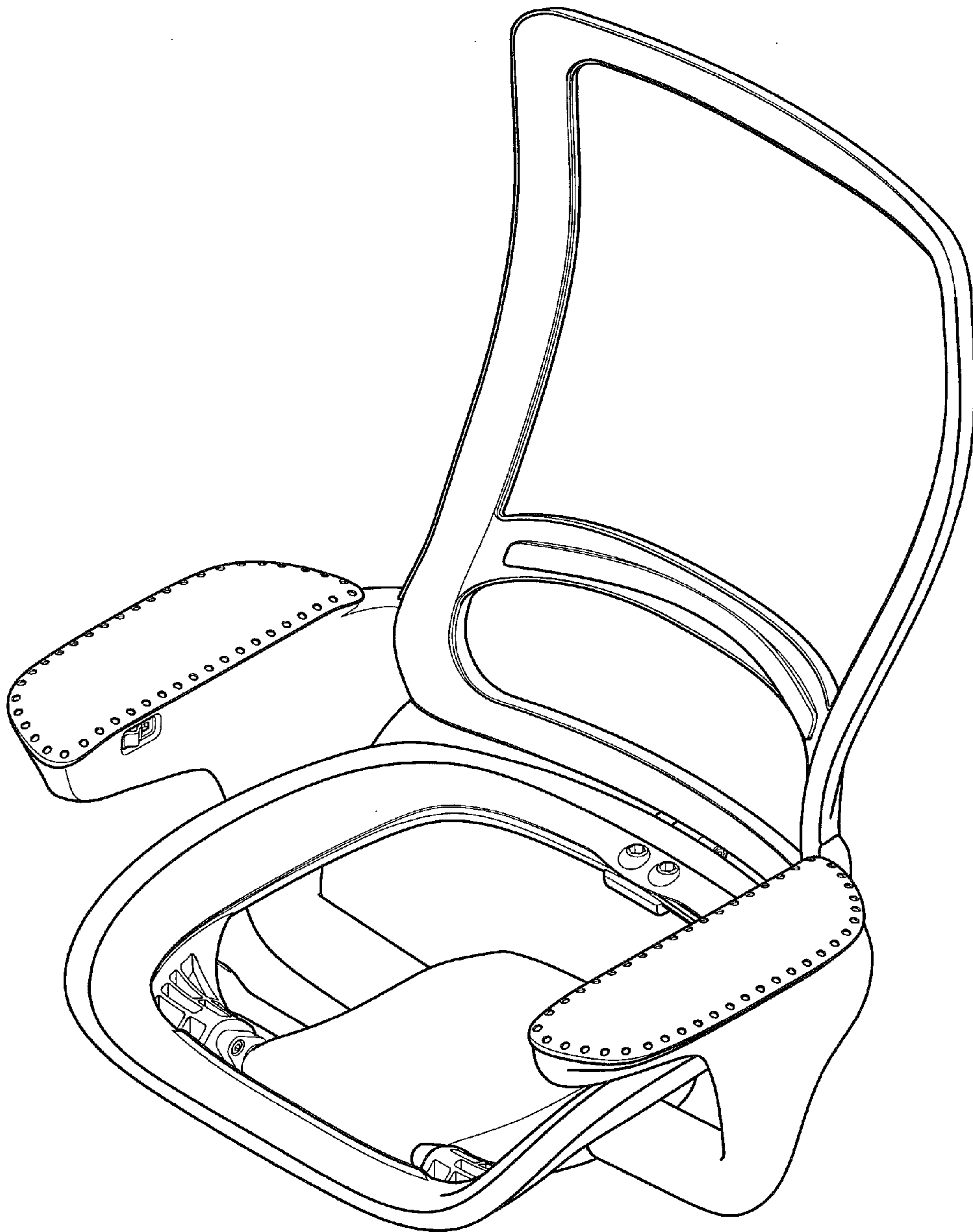


FIG. 1

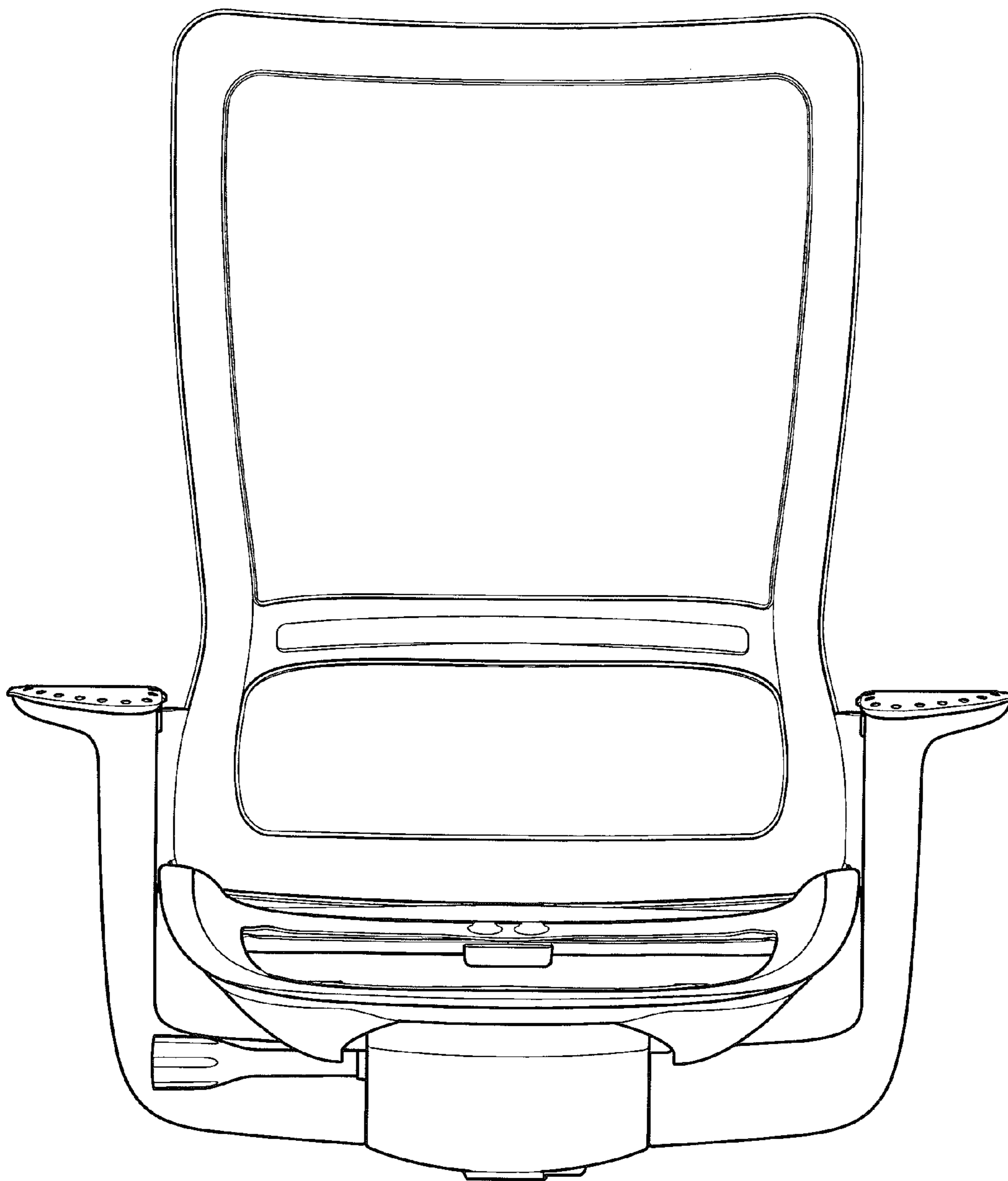


FIG. 2

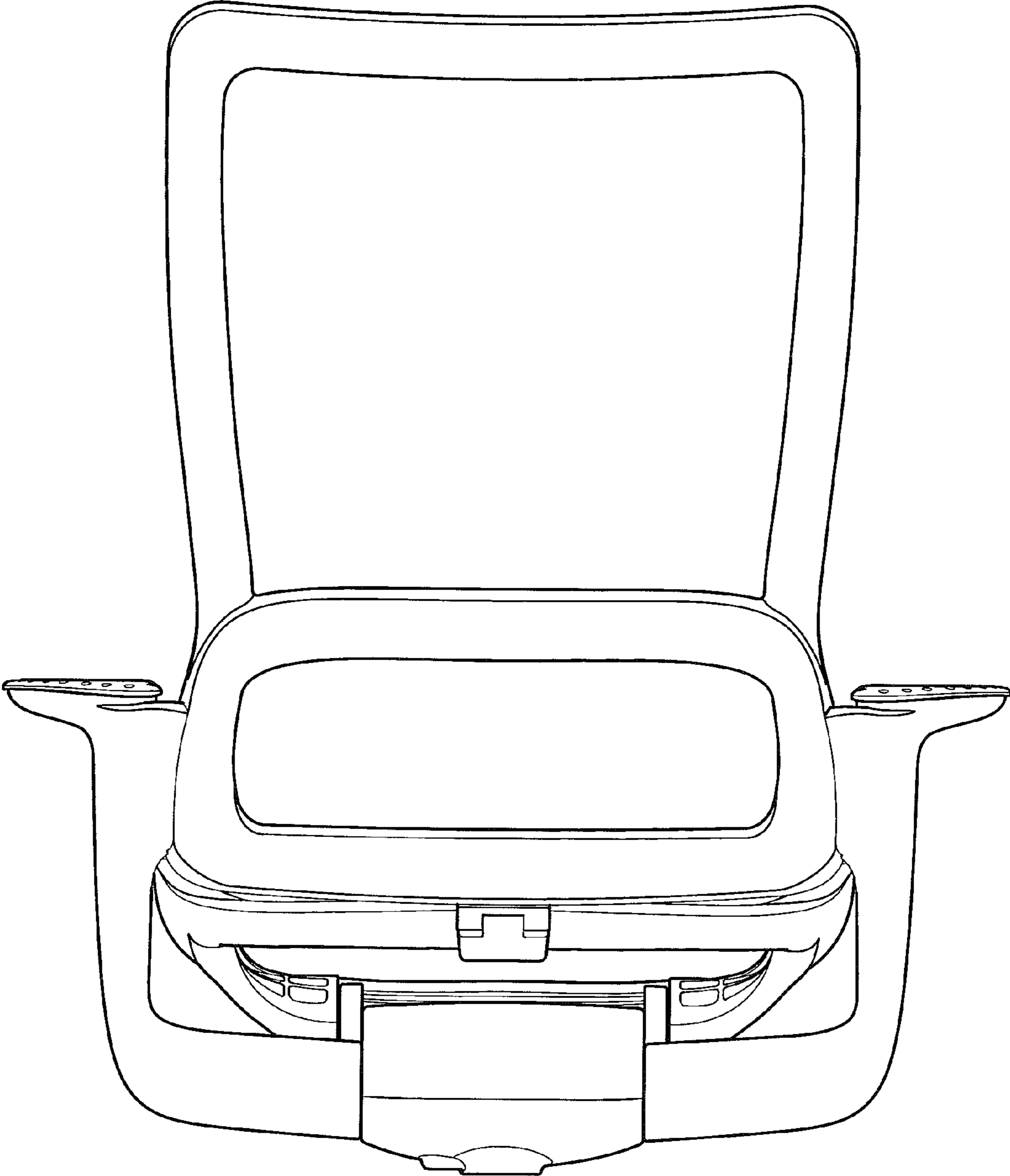


FIG. 3

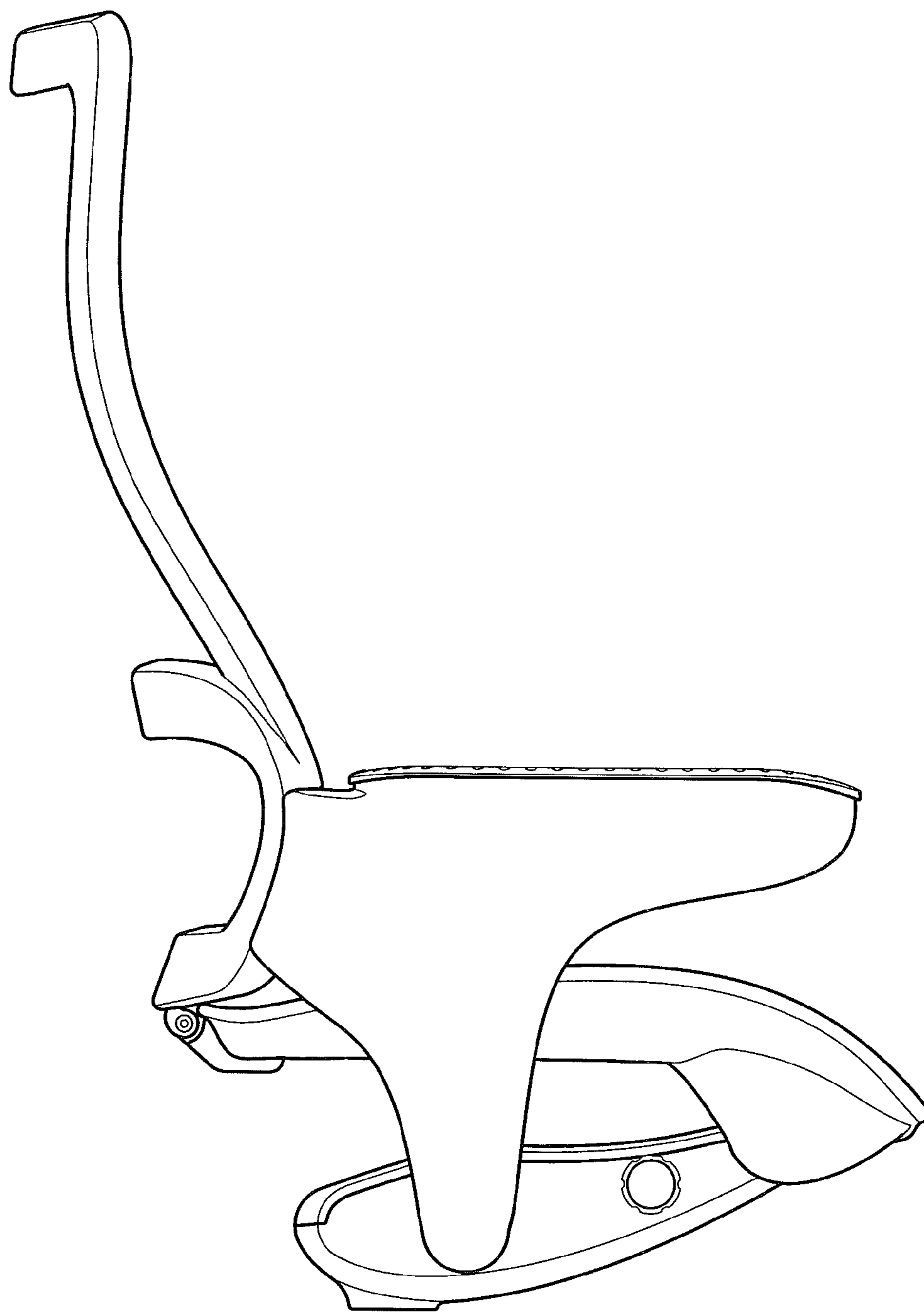


FIG. 4

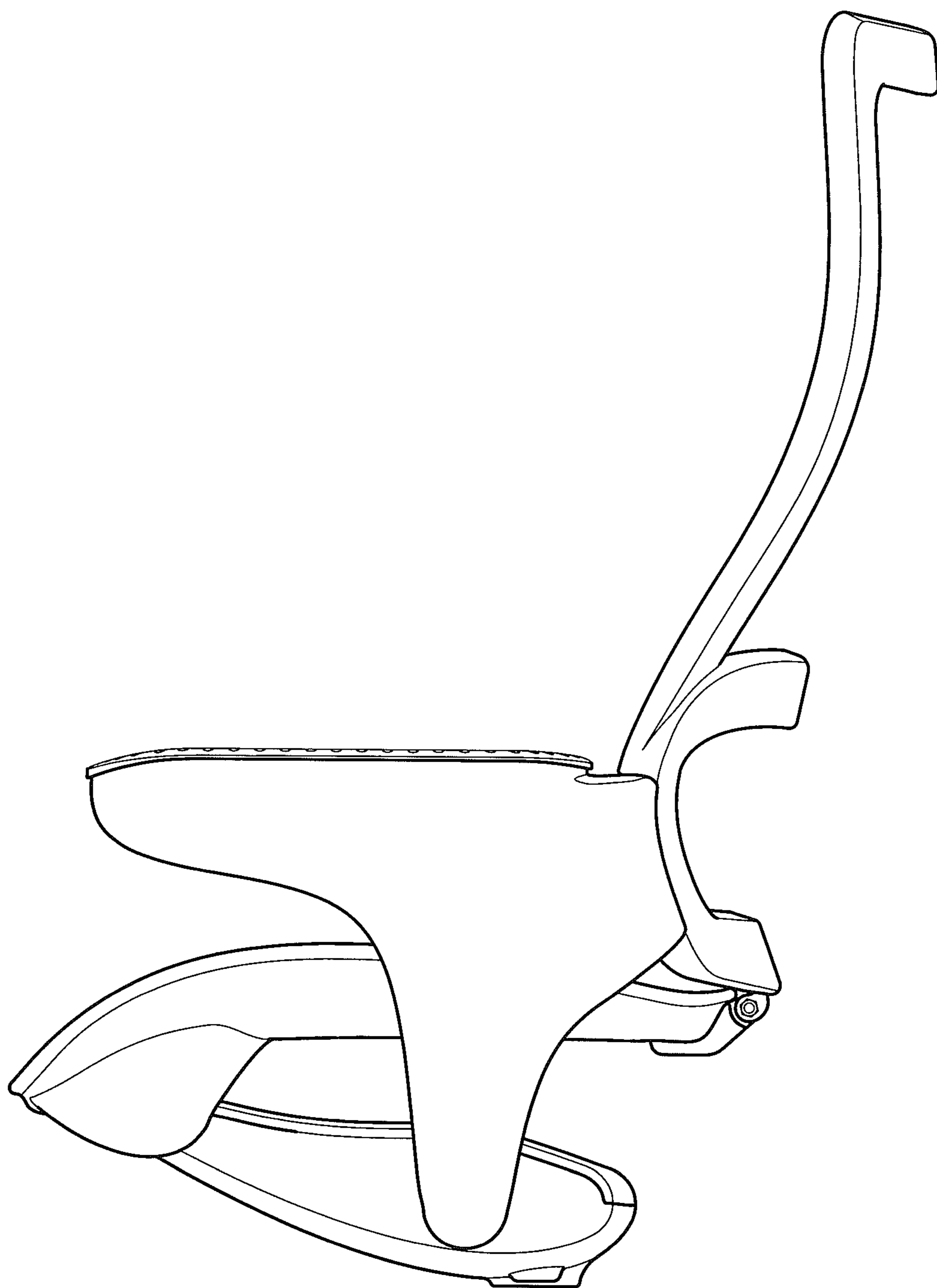


FIG. 5

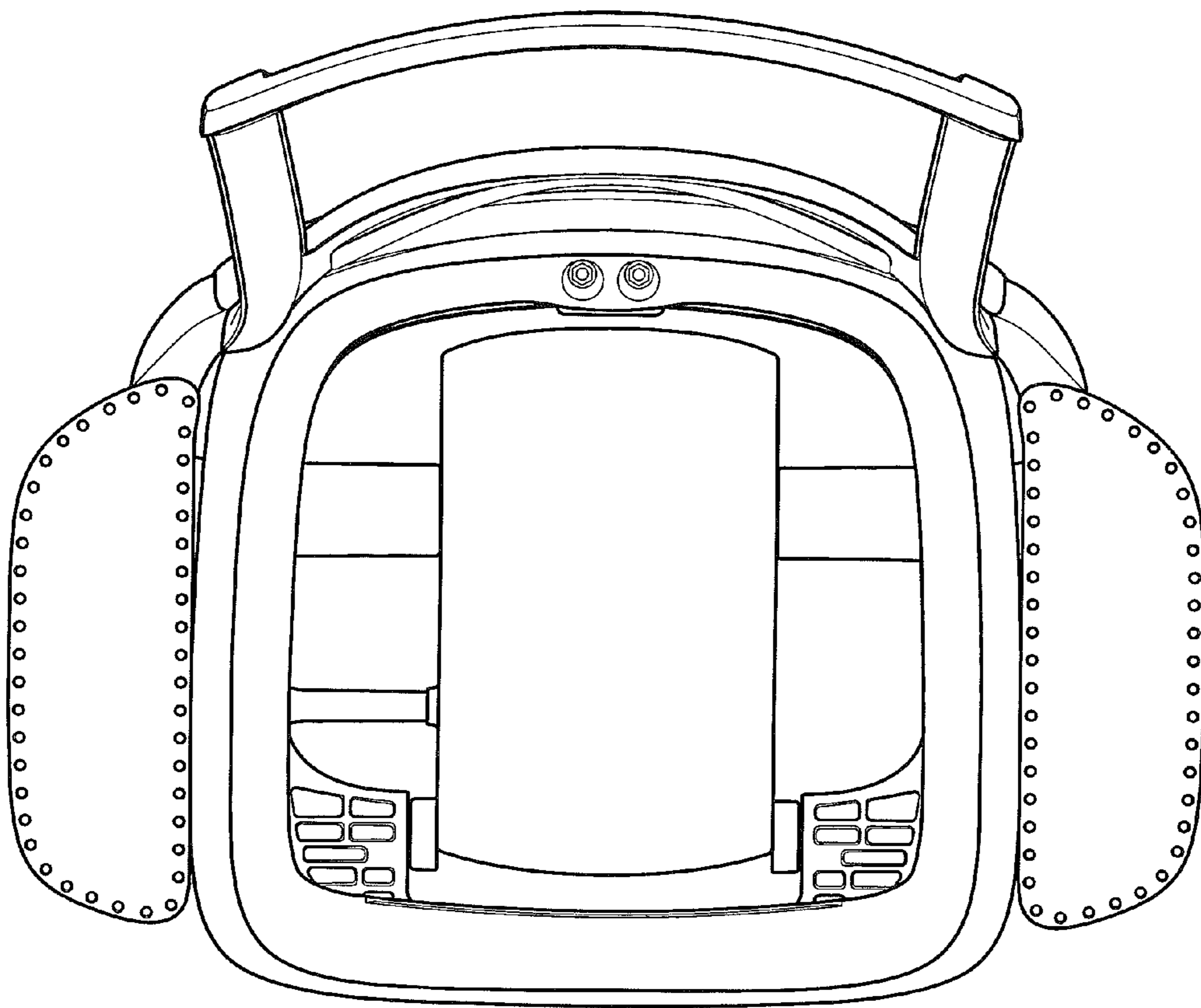


FIG. 6

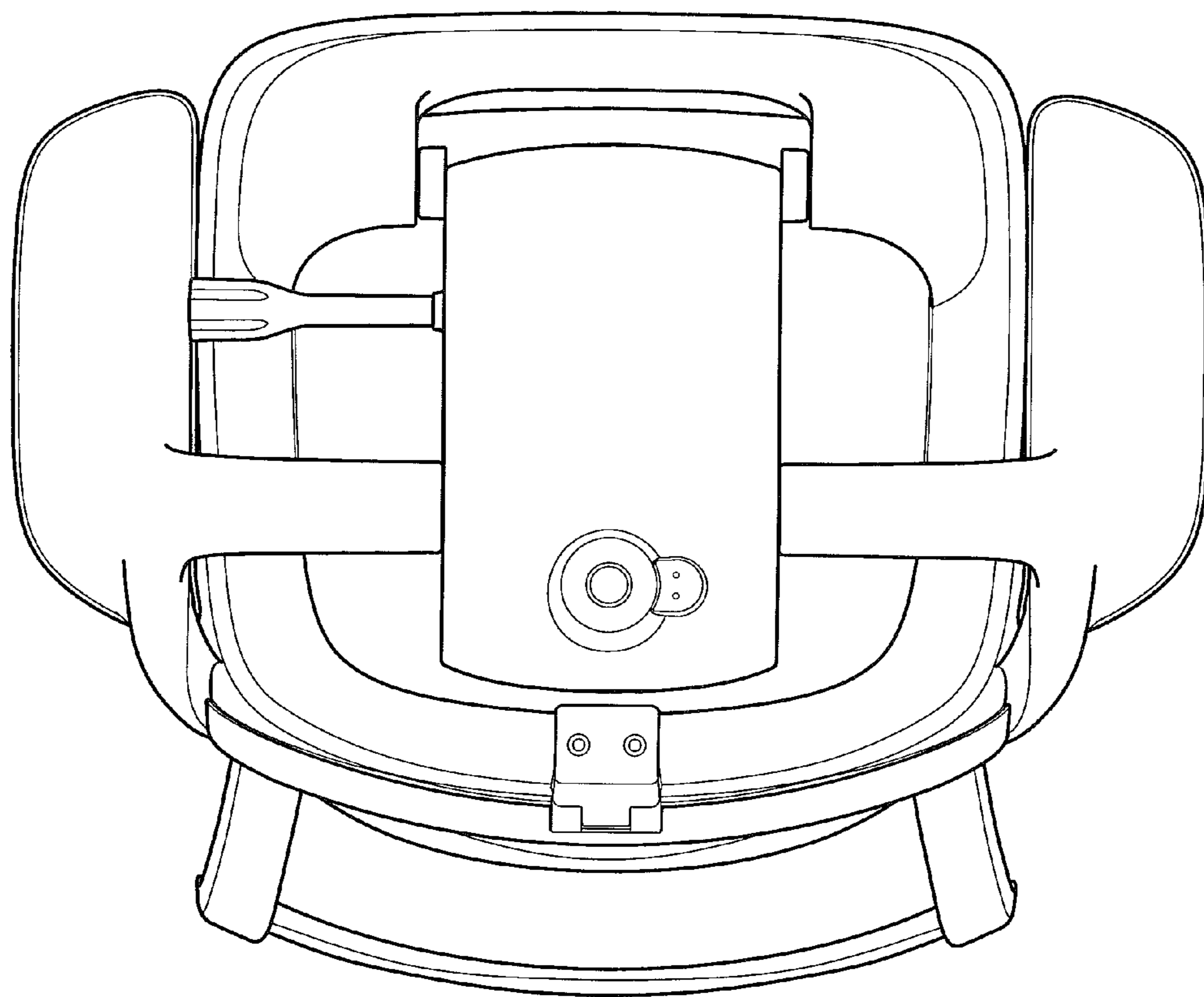


FIG. 7