



US00D708878S

(12) **United States Design Patent**  
**Ledat**

(10) **Patent No.:** **US D708,878 S**  
(45) **Date of Patent:** **\*\* Jul. 15, 2014**

(54) **ERGONOMIC CHAIR FRAME WITH ELASTIC BANDS**

(71) Applicant: **Harmony Lifestyle, LLC**, West Palm Beach, FL (US)

(72) Inventor: **Tony Ledat**, West Palm Beach, FL (US)

(73) Assignee: **Harmony Lifestyle, LLC**, West Palm Beach, FL (US)

(\*\*) Term: **14 Years**

(21) Appl. No.: **29/468,848**

(22) Filed: **Oct. 3, 2013**

(51) **LOC (10) Cl.** ..... **06-01**

(52) **U.S. Cl.**  
USPC ..... **D6/716**

(58) **Field of Classification Search**

CPC ..... B60N 2/4802; B60N 2/66; A47C 5/06; A47C 7/16; A47C 7/22; A47C 7/38; A47C 7/40; A47C 7/46; A47C 7/402

USPC ..... D6/334-336, 364, 365, 366, 369, 374, D6/376, 379, 380, 716, 716.1, 716.2, D6/716.3, 716.4, 716.5; 297/396, 284.4, 297/284.7, 452.29, 452.3, 452.63, 452.64

See application file for complete search history.

(56) **References Cited**

**U.S. PATENT DOCUMENTS**

3,088,517 A \* 5/1963 Schwartz et al. .... A47C 7/22  
3,295,590 A \* 1/1967 Pearlstine ..... A47C 71/16

D358,263 S \* 5/1995 Yoder, Jr. .... D6/370  
D606,769 S \* 12/2009 Ballendat ..... D6/372  
D641,572 S \* 7/2011 Tsai ..... D6/716  
D645,682 S \* 9/2011 Nakamura et al. .... D6/716  
D660,035 S \* 5/2012 Grotta et al. .... D6/370  
D661,506 S \* 6/2012 Ou ..... D6/366  
D661,916 S \* 6/2012 Chen ..... D6/366  
D673,399 S \* 1/2013 Gu ..... D6/716.4  
D684,783 S \* 6/2013 Hsiao ..... D6/366

\* cited by examiner

*Primary Examiner* — Mimosa De

(74) *Attorney, Agent, or Firm* — McHale & Slavin, P.A.

(57) **CLAIM**

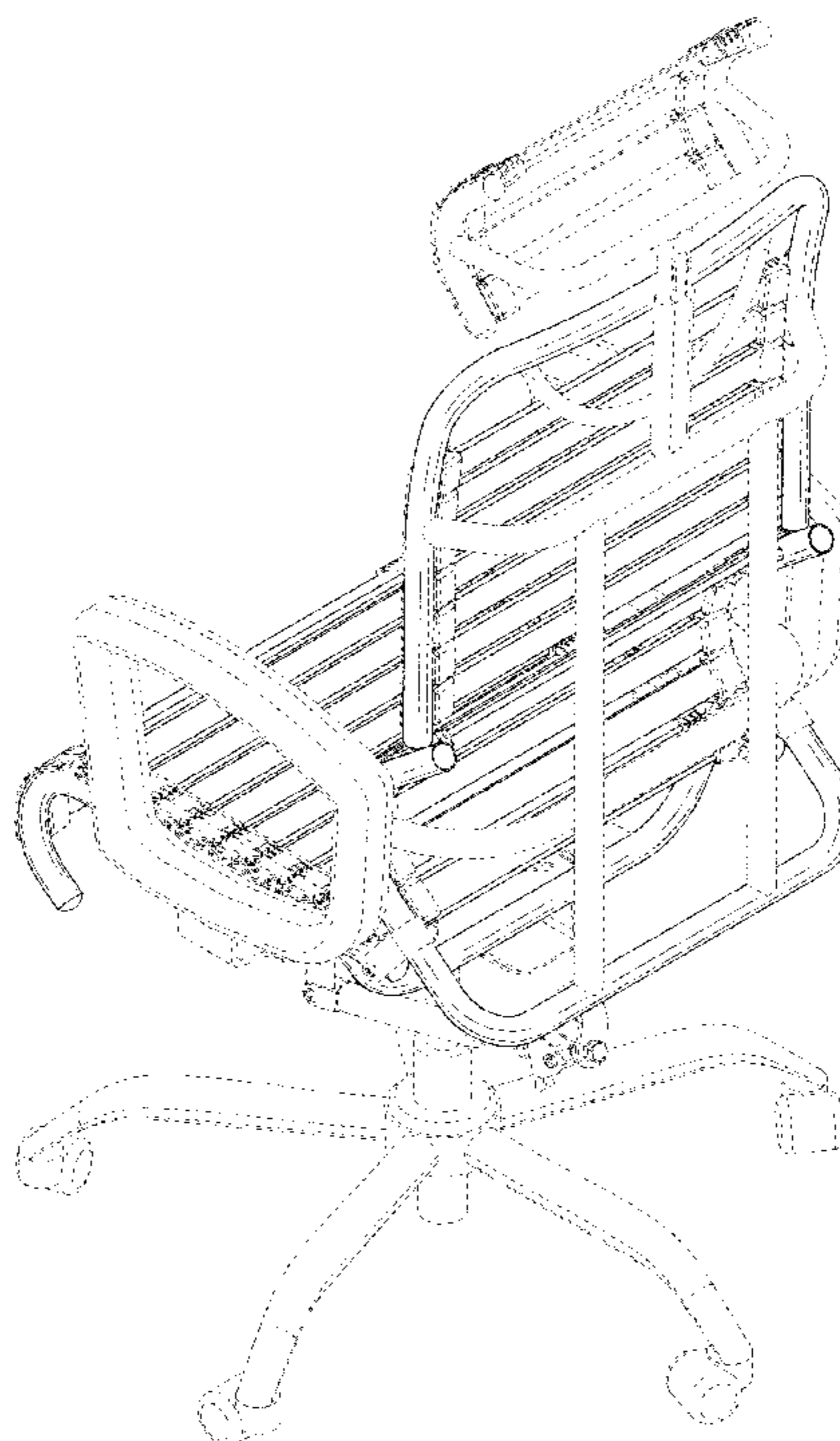
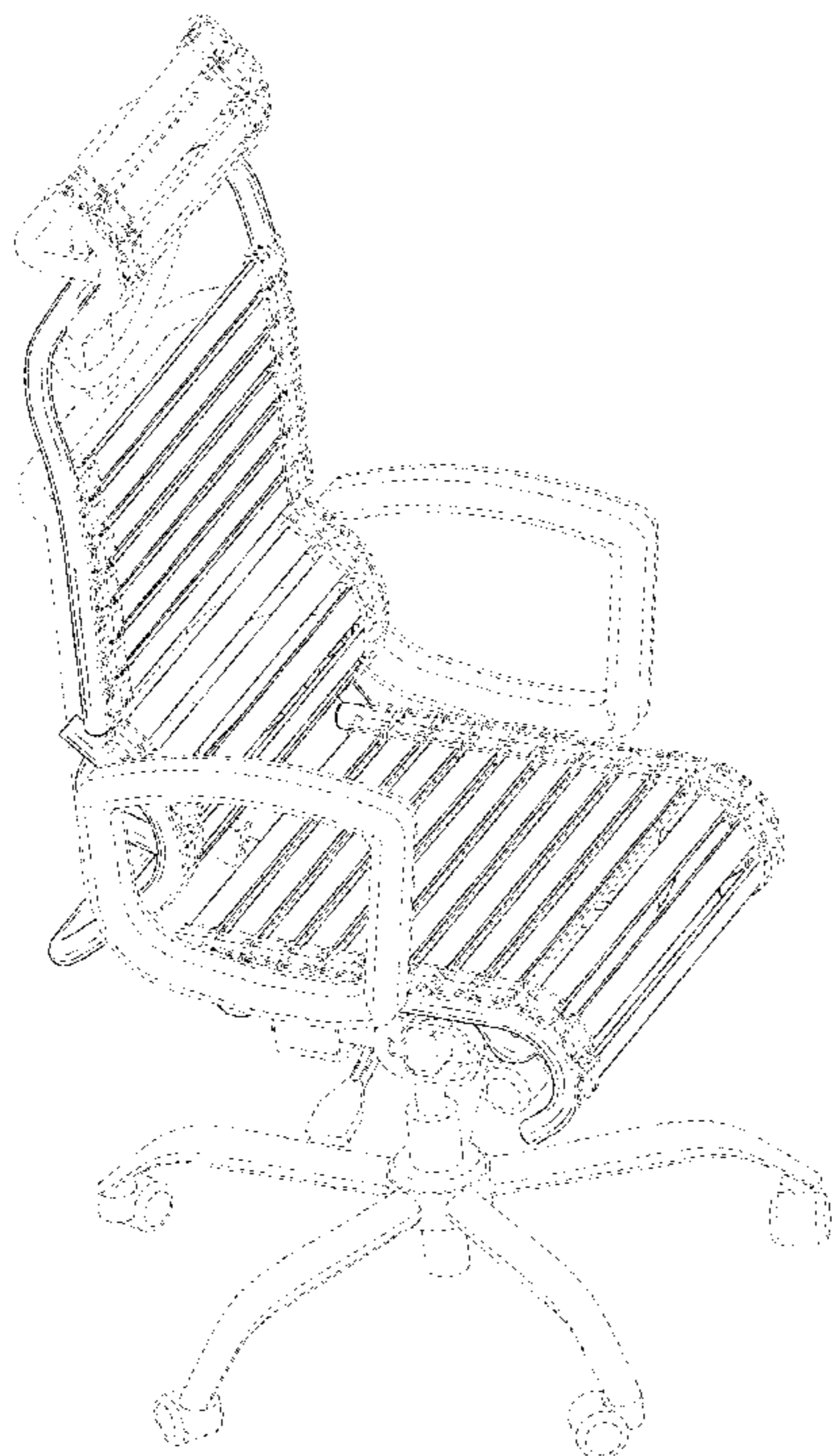
The ornamental design for an ergonomic chair frame with elastic bands, as shown and described.

**DESCRIPTION**

FIG. 1 is a perspective view of the ergonomic chair frame with elastic bands of the present invention; FIG. 2 is an alternative perspective view thereof; FIG. 3 is a front view thereof; FIG. 4 is a rear view thereof; FIG. 5 is a left side view thereof; FIG. 6 is a right side view thereof; FIG. 7 is top view thereof; and, FIG. 8 is a bottom view thereof.

The portions of the ergonomic chair frame with elastic bands illustrated in broken lines form no part of the claimed subject matter.

**1 Claim, 8 Drawing Sheets**



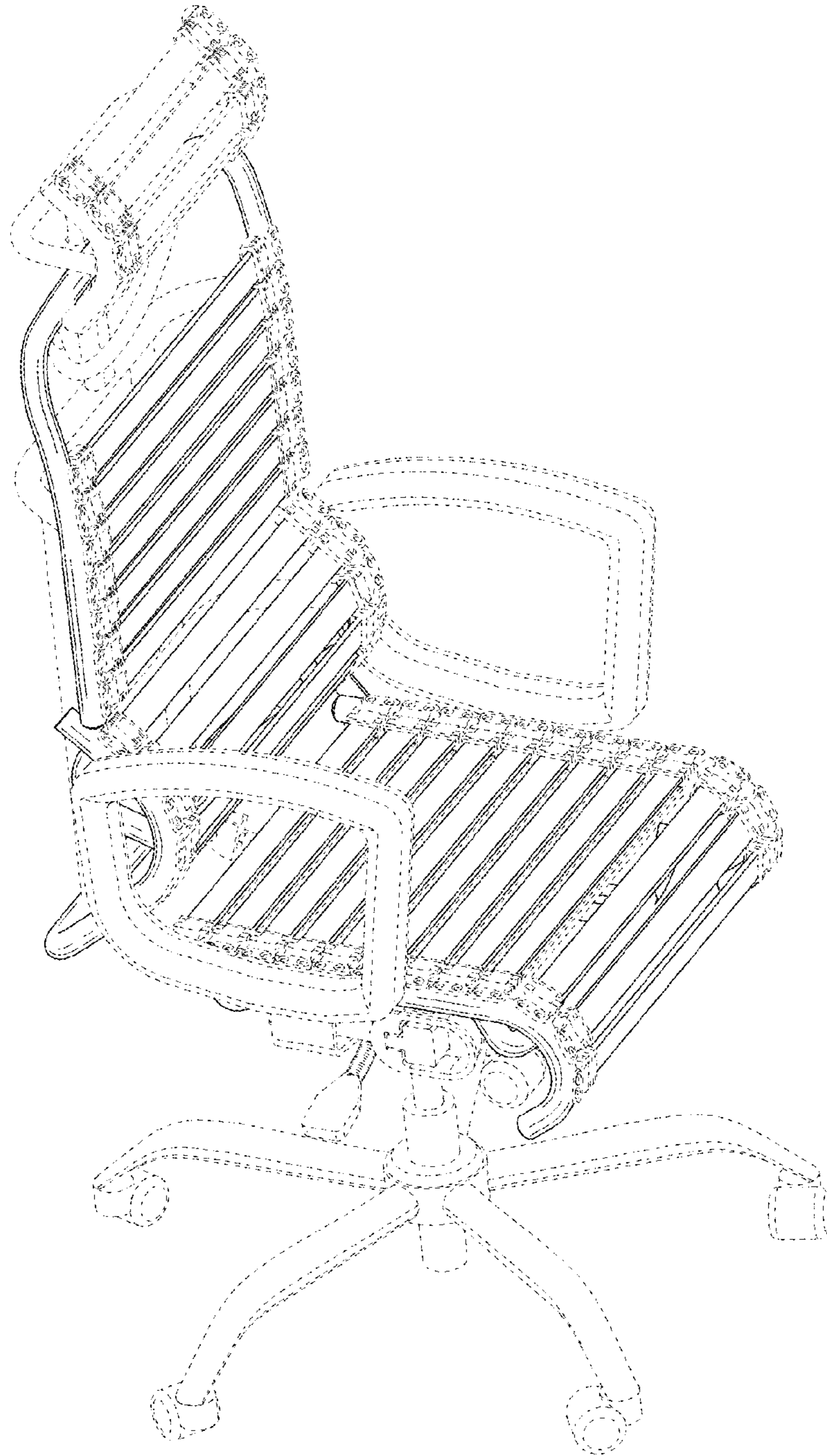


FIG. 1

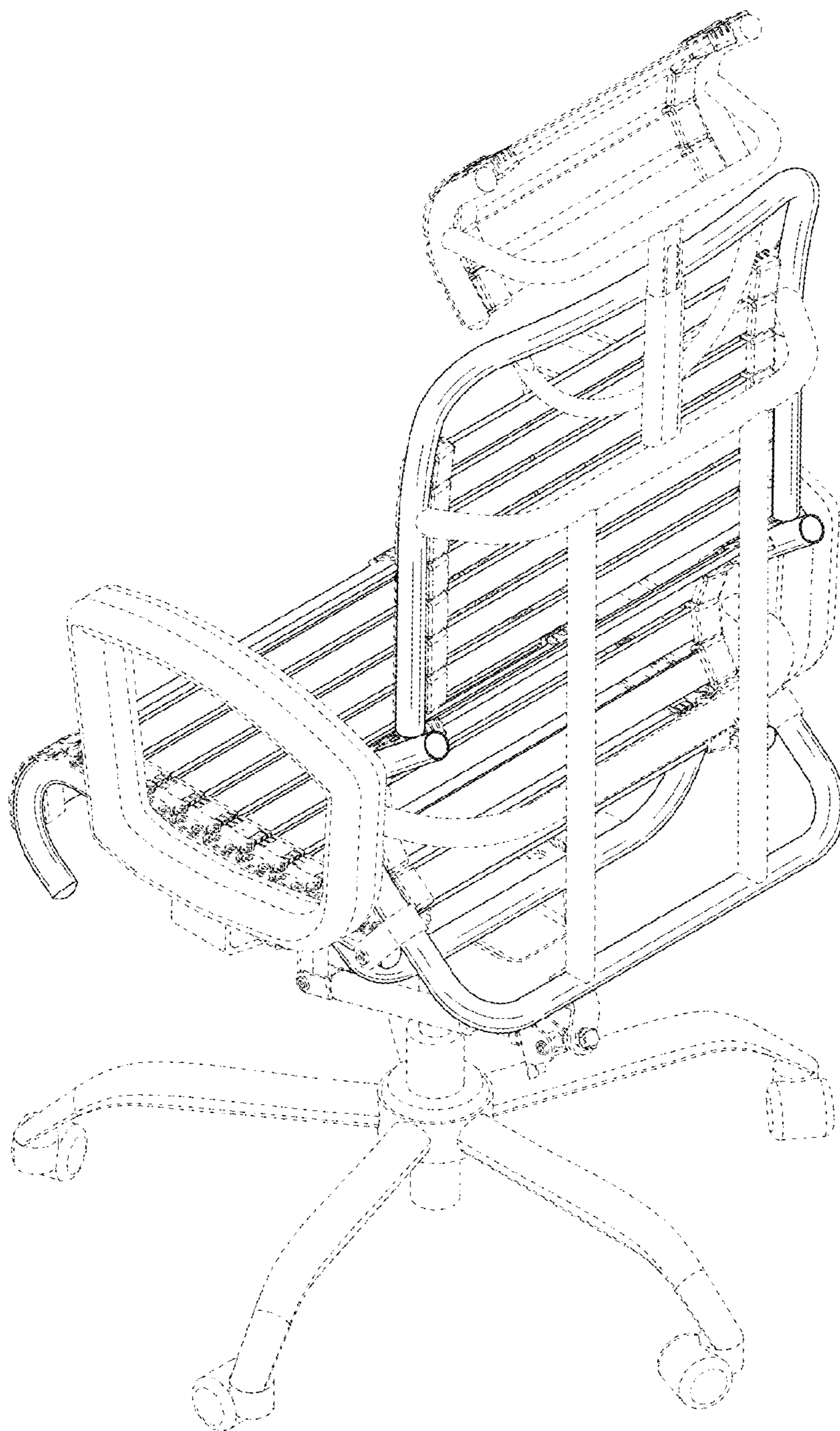


FIG. 2

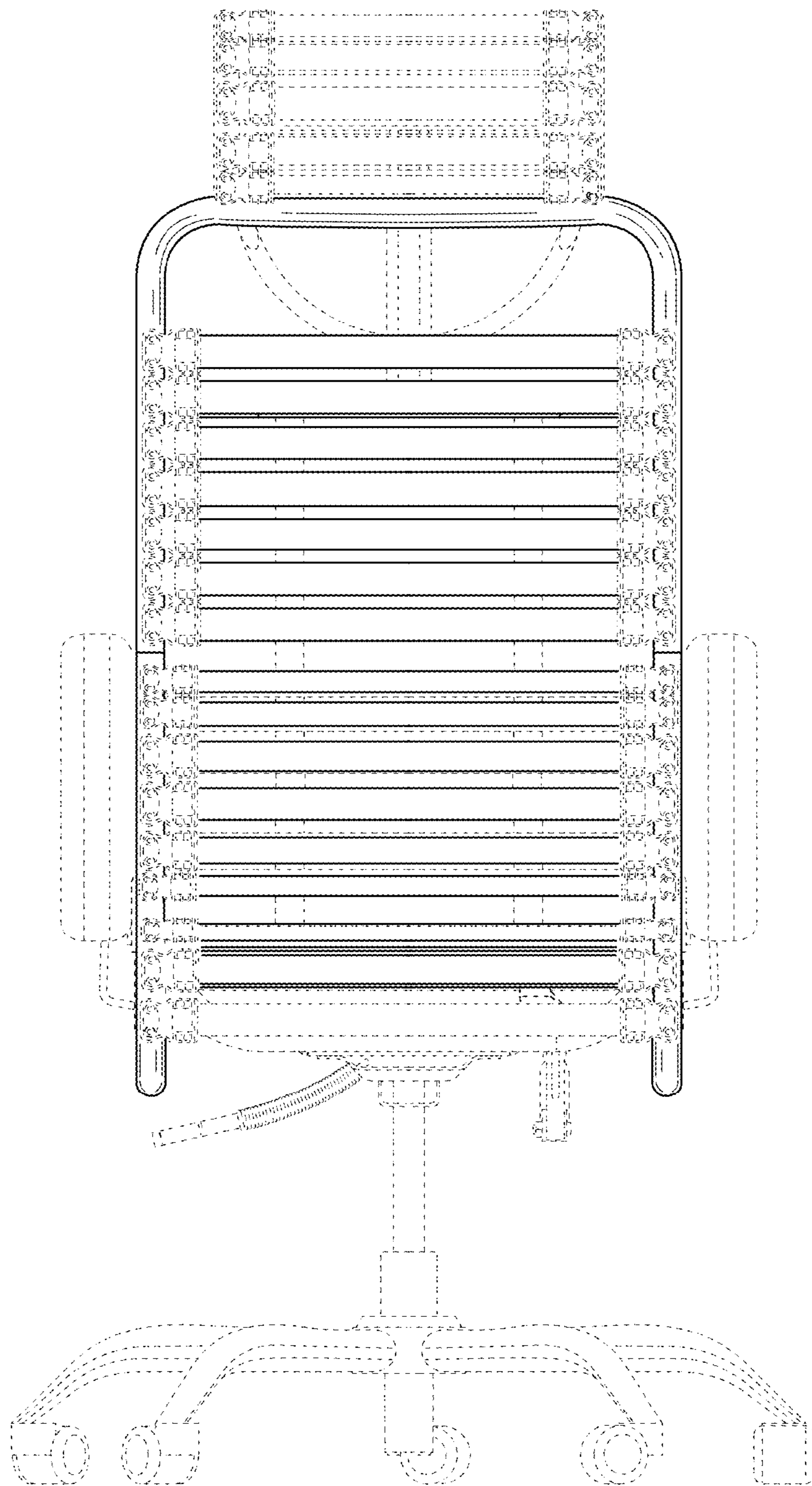


FIG. 3

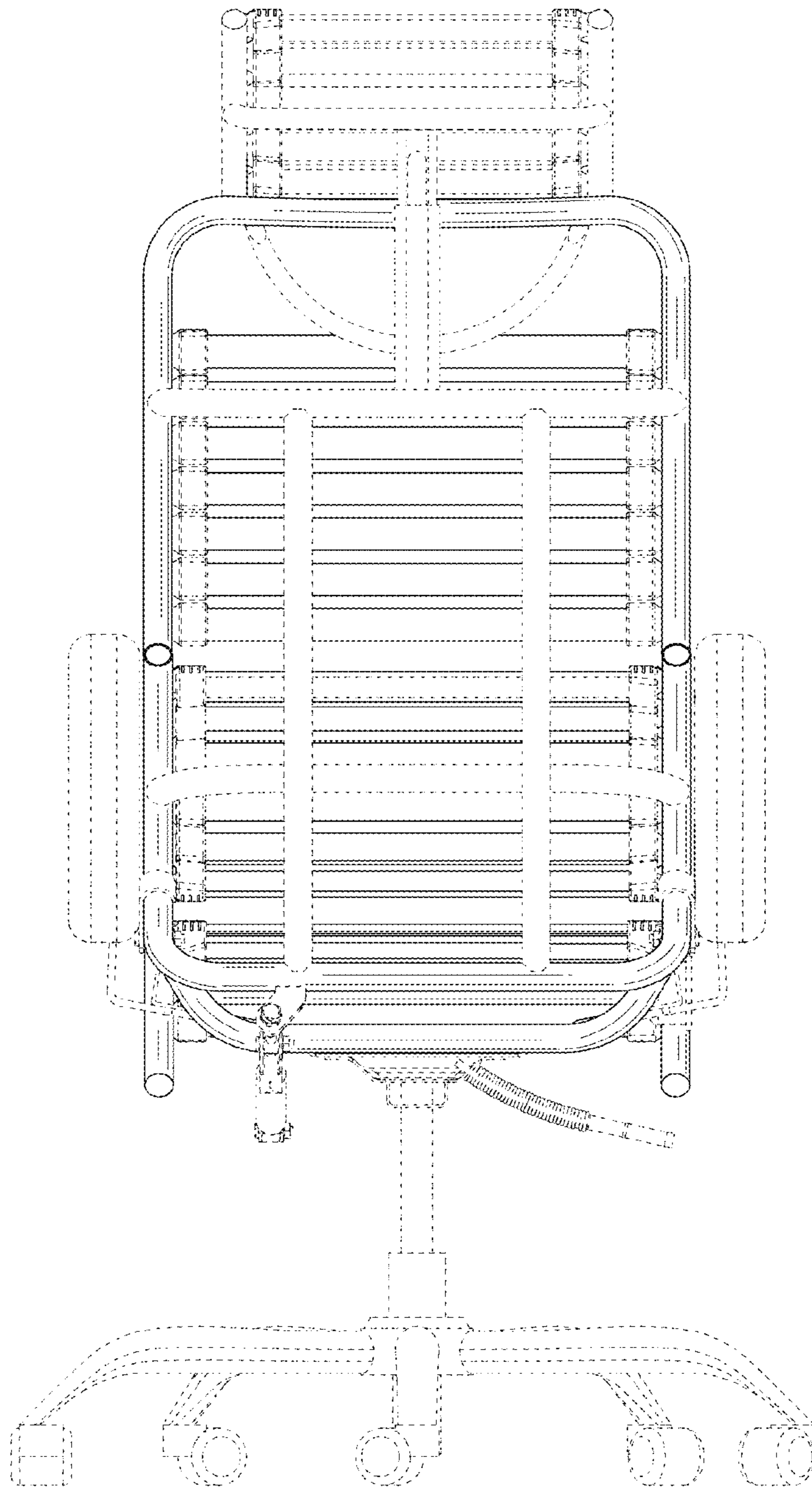
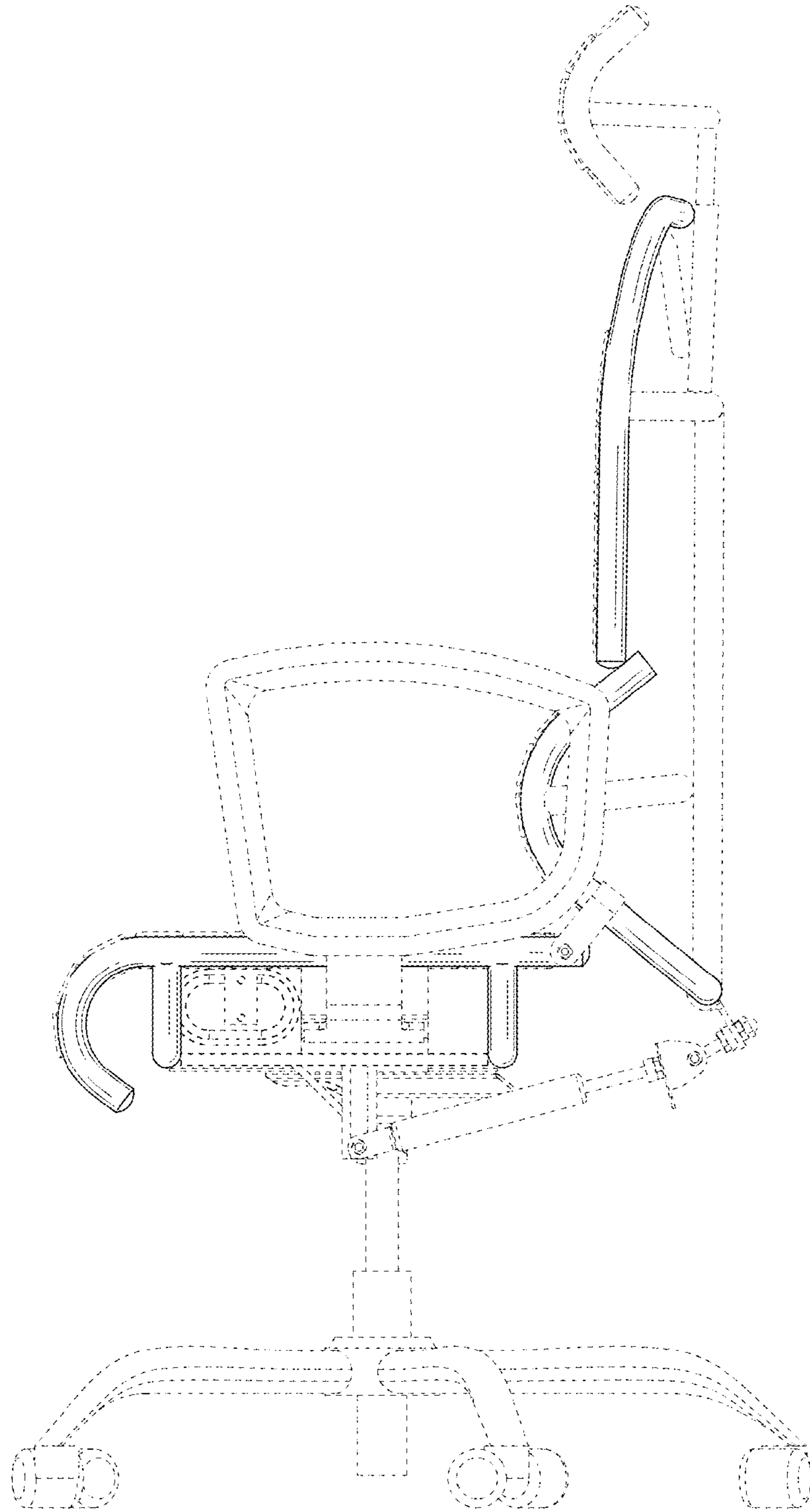


FIG. 4



**FIG. 5**

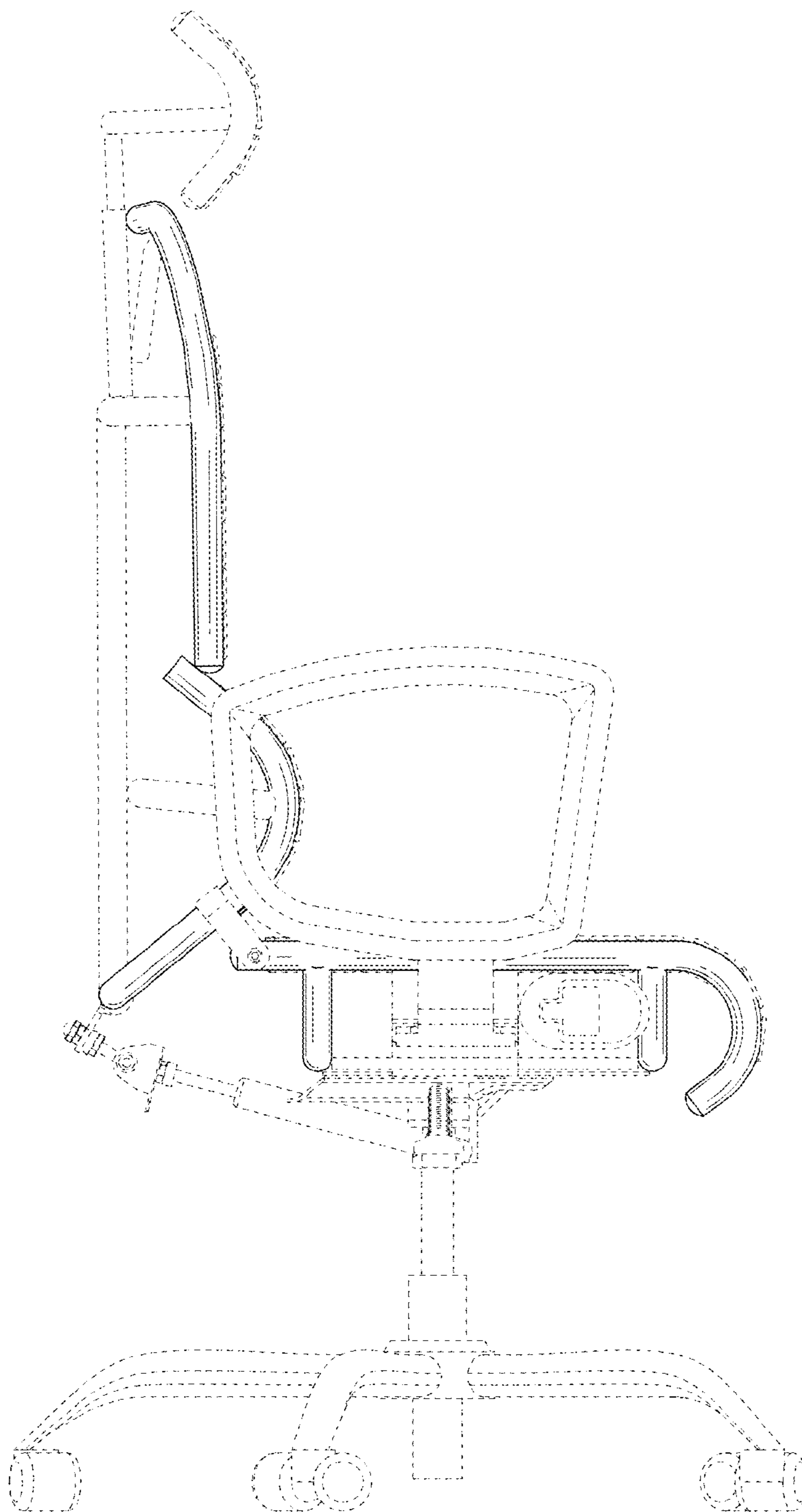


FIG. 6

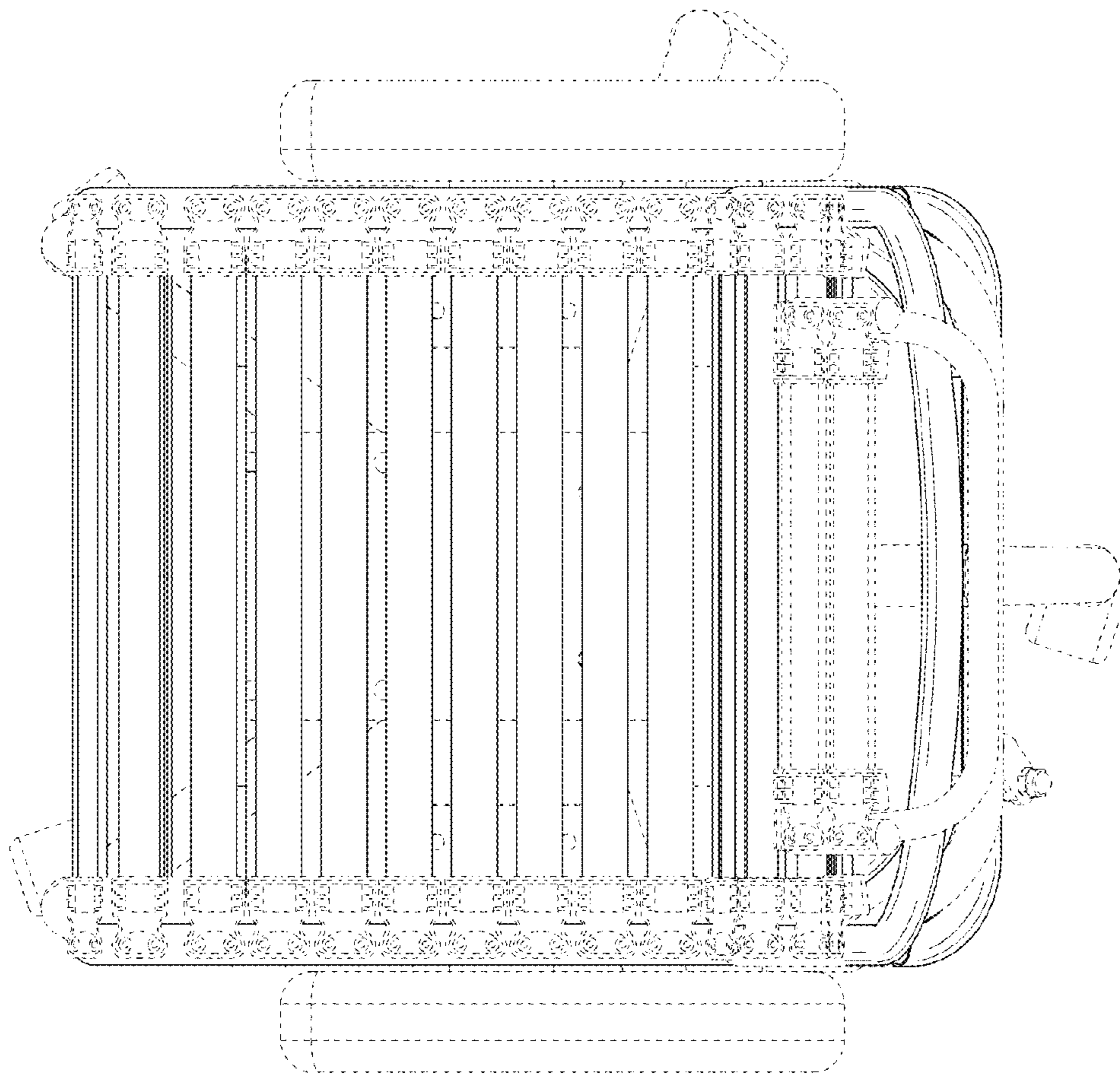


FIG. 7



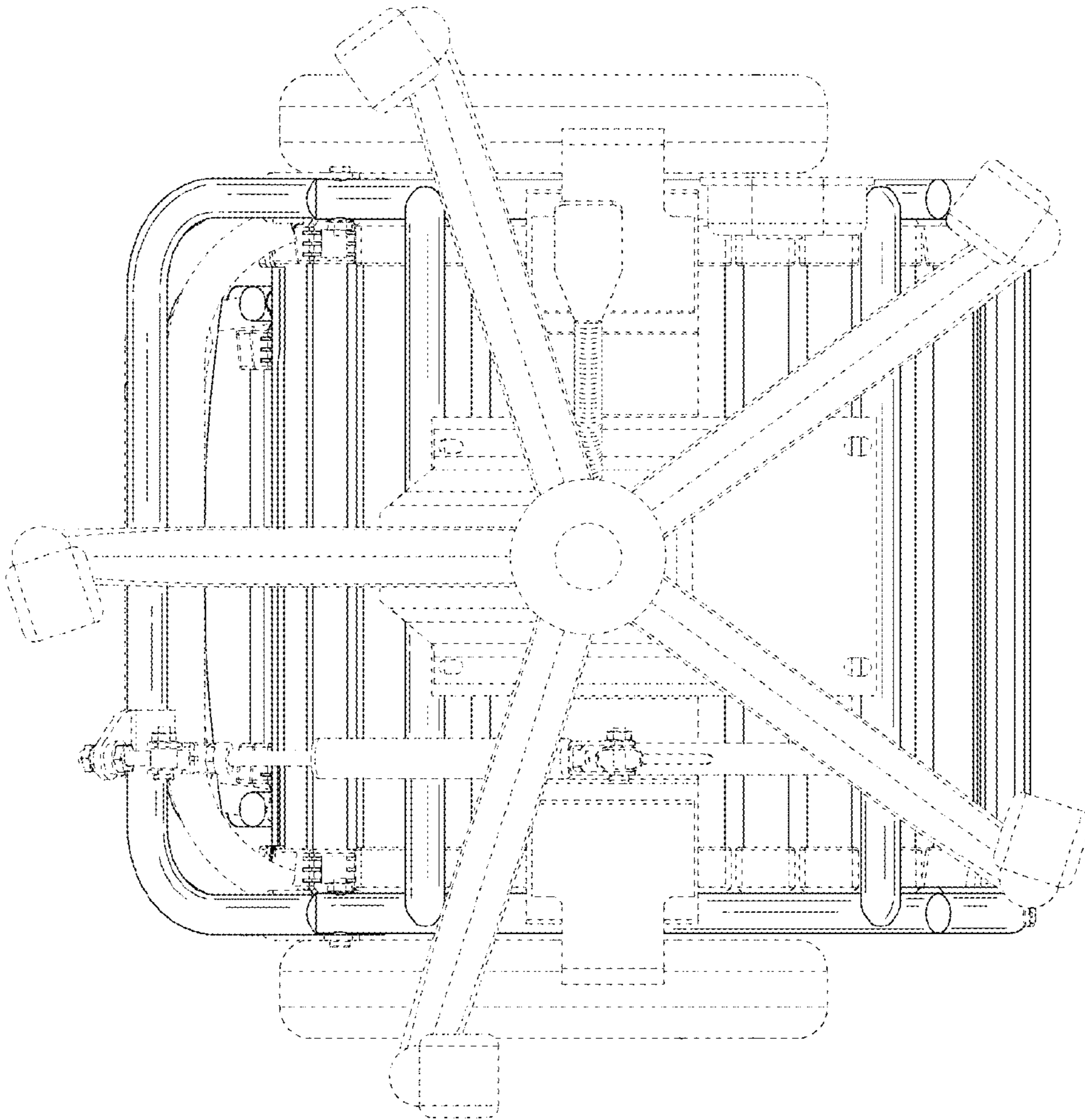


FIG. 8