



US00D708873S

(12) **United States Design Patent**  
**Wehner et al.**

(10) **Patent No.:** **US D708,873 S**  
(45) **Date of Patent:** **\*\* Jul. 15, 2014**

- (54) **COLLAPSIBLE SHELVING UNIT**
- (71) Applicants: **Scott D. Wehner**, Mt. Morris, MI (US);  
**Zhou Xiao Jin**, Linhai (CN)
- (72) Inventors: **Scott D. Wehner**, Mt. Morris, MI (US);  
**Zhou Xiao Jin**, Linhai (CN)
- (73) Assignee: **Worldwide Creations, LLC**, Clio, MI (US)
- (\*\*) Term: **14 Years**
- (21) Appl. No.: **29/467,692**
- (22) Filed: **Sep. 23, 2013**

- 610,602 A 9/1898 Doldt
- 694,172 A 2/1902 Moore
- 715,038 A 12/1902 Dunham
- 775,158 A 11/1904 Wenig
- 792,827 A 6/1905 Holbrook
- 818,304 A 4/1906 Shaw
- 867,558 A 10/1907 Carroll
- 931,702 A 8/1909 Otter
- 972,590 A 10/1910 Yates
- 1,018,338 A 2/1912 Pines
- 1,025,972 A 5/1912 Geisel
- 1,072,473 A 9/1913 Kindberg
- 1,095,391 A 5/1914 Fogle
- 1,106,418 A 8/1914 Sprunger
- 1,262,021 A 4/1918 Conroy
- 1,533,470 A 4/1925 Schmitt
- 1,597,265 A 8/1926 Cashiere
- 1,652,581 A 12/1927 Roberts
- 1,708,113 A 4/1929 Allen
- 1,773,847 A 8/1930 Nickles
- 1,912,425 A 6/1933 Baumer
- 2,199,127 A 4/1940 Clearmond
- 2,293,625 A 8/1942 Patch
- 2,402,579 A 6/1946 Ross
- 2,445,403 A 7/1948 Mayerman
- 2,523,682 A 9/1950 Corwin
- 2,594,065 A 4/1952 O'Neill
- 2,645,541 A 7/1953 Mintz et al.
- 2,781,766 A 2/1957 Krieger

**Related U.S. Application Data**

- (63) Continuation of application No. 13/630,213, filed on Sep. 28, 2012.
- (51) **LOC (10) Cl.** ..... **06-06**
- (52) **U.S. Cl.**  
USPC ..... **D6/675.2**
- (58) **Field of Classification Search**  
USPC ..... D6/396-397, 407, 429, 449, 455-457,  
D6/460-463, 465, 468, 474, 478-479, 509,  
D6/514, 675, 675.1, 675.2; 211/13.1, 41.1,  
211/71.01, 85.3, 85.4, 59.2, 126.12, 126.1,  
211/133.1

See application file for complete search history.

(56) **References Cited**

**U.S. PATENT DOCUMENTS**

- 63,735 A 4/1867 Loomis
- RE3,710 E 11/1869 Stone
- 151,037 A 5/1874 Magee
- 156,842 A 11/1874 Duggan
- 218,680 A 8/1879 McCabe
- 418,827 A 1/1890 St. Marie
- 539,672 A 5/1895 Decker

(Continued)

*Primary Examiner* — Kelley Donnelly

(74) *Attorney, Agent, or Firm* — Young Basile Hanlon & MacFarlane P.C.

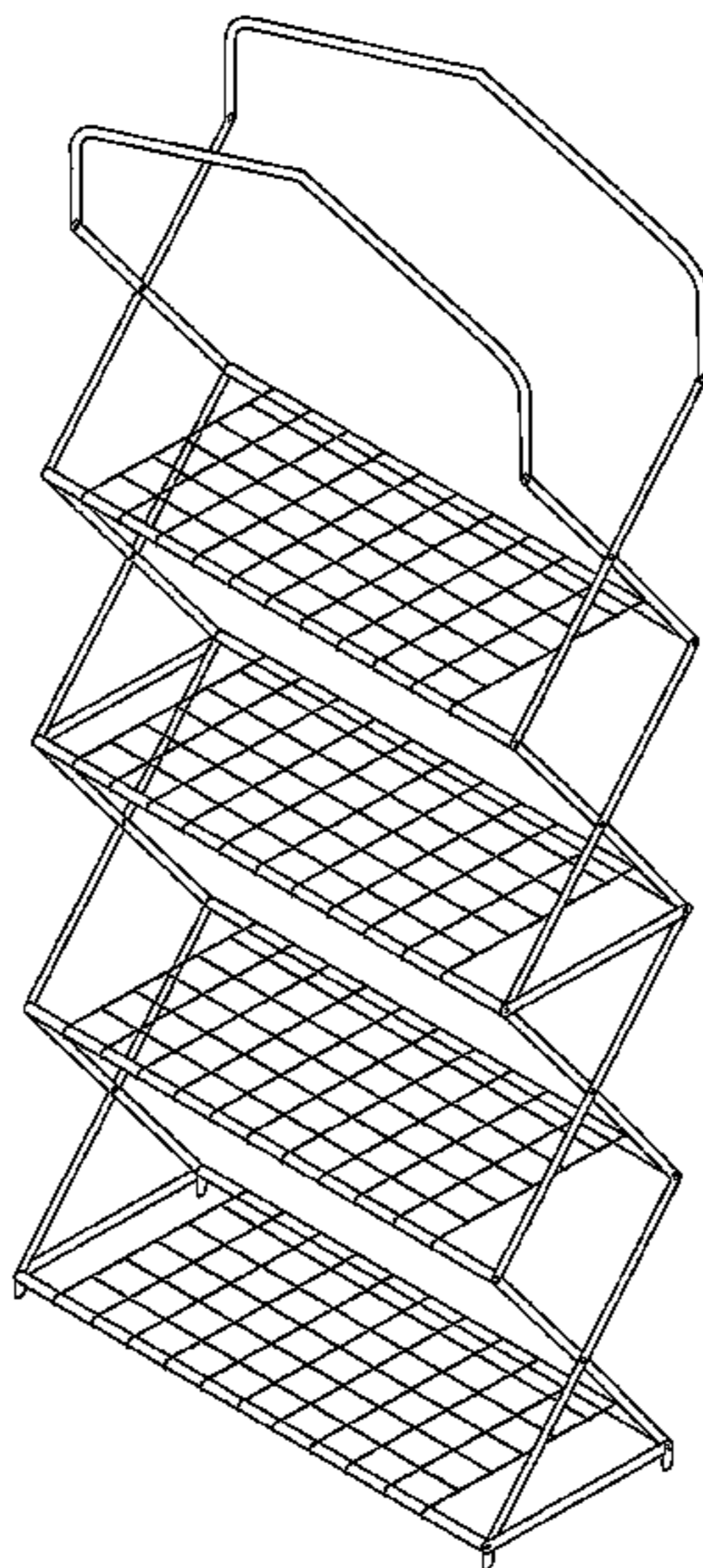
(57) **CLAIM**

The ornamental design for a collapsible shelving unit, as shown and described.

**DESCRIPTION**

FIG. 1 is a front perspective view of a collapsible shelving unit showing my new design; and, FIG. 2 is a side view thereof.

**1 Claim, 2 Drawing Sheets**



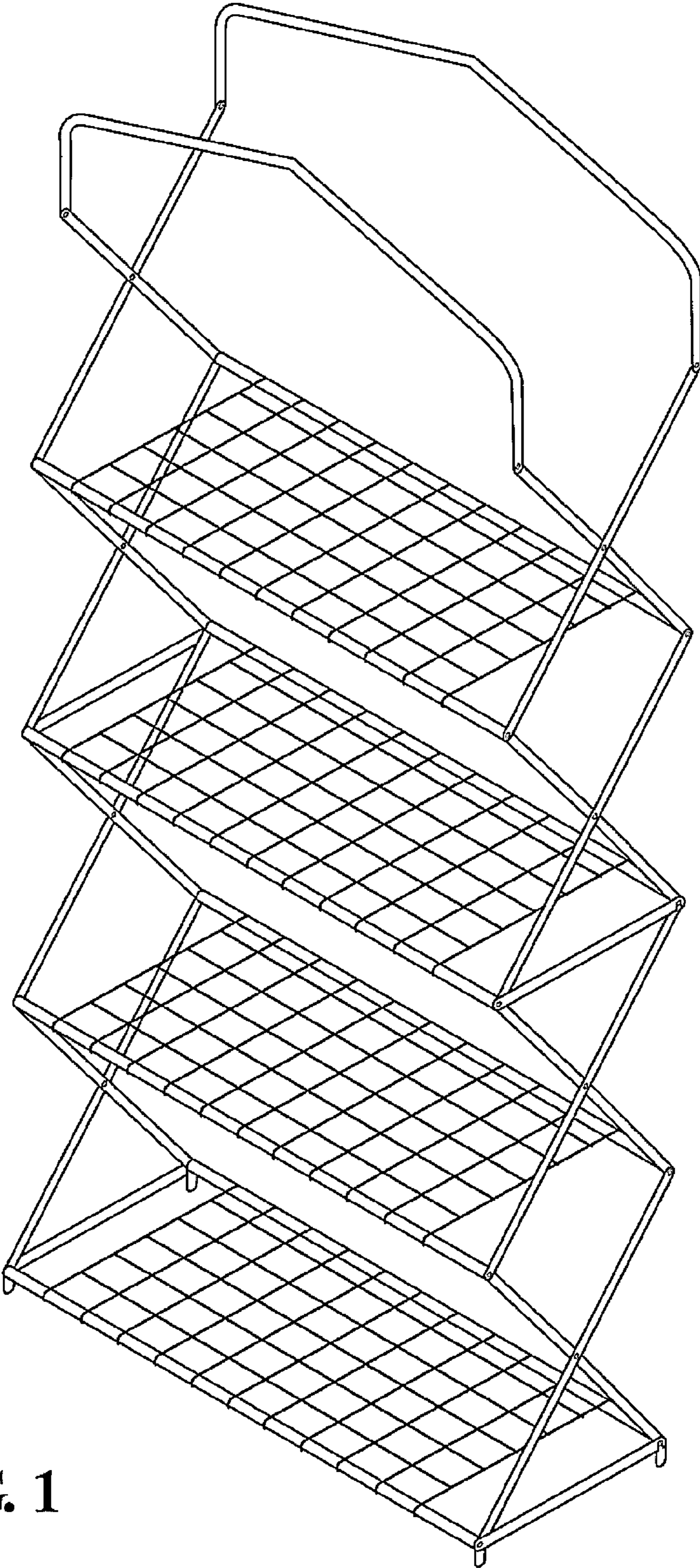
(56)

References Cited

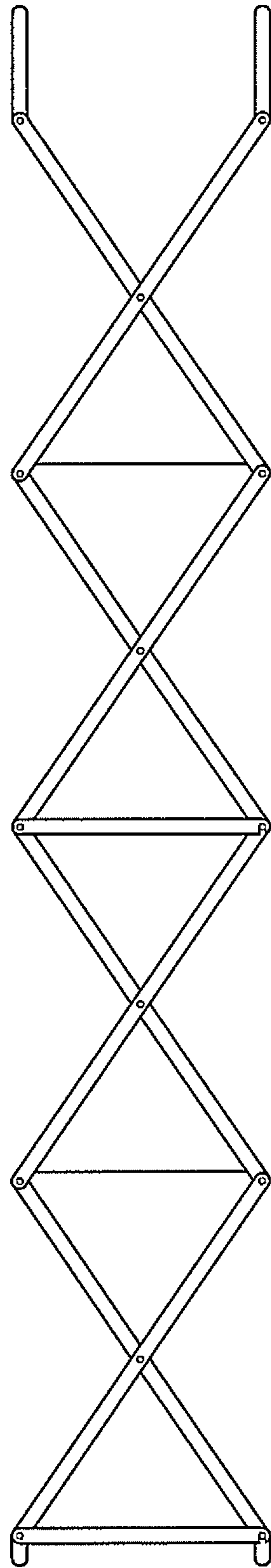
U.S. PATENT DOCUMENTS

3,007,539 A	11/1961	Brewer et al.	5,622,415 A	4/1997	Felsenthal et al.
3,292,561 A	12/1966	Hoodis	5,660,002 A	8/1997	Lashinger
3,375,624 A	4/1968	Mikulin	5,671,766 A	9/1997	Williams
3,435,570 A	4/1969	Berry	D452,153 S	12/2001	Dardashti
3,509,891 A	5/1970	DeBolt	6,427,858 B2	8/2002	Sabounjian
3,700,070 A	10/1972	King	6,799,594 B2 *	10/2004	Kuo ..... 135/147
3,746,151 A	7/1973	Brophy et al.	D499,278 S *	12/2004	Dardashti ..... D6/464
3,796,282 A	3/1974	Denier et al.	6,829,869 B1 *	12/2004	Savoie ..... 52/648.1
4,070,807 A	1/1978	Smith, Jr.	6,840,182 B2	1/2005	Price
4,088,203 A	5/1978	Smith, Jr.	7,020,993 B2 *	4/2006	Pritchard ..... 40/610
4,130,178 A	12/1978	Smith, Jr.	7,063,035 B2	6/2006	Belcher
4,131,205 A	12/1978	Malecki	D537,275 S	2/2007	Chang
4,138,952 A	2/1979	Hodson	D537,276 S *	2/2007	Kelman ..... D6/468
D276,466 S	11/1984	Giovagnoli	D570,438 S	6/2008	Adams
4,635,729 A	1/1987	Harmathy	D570,439 S	6/2008	Adams
4,828,123 A	5/1989	Basore	D613,975 S *	4/2010	Davis ..... D6/499
D304,981 S	12/1989	Raskas	D630,266 S *	1/2011	Frank et al. .... D21/506
4,970,841 A *	11/1990	Zeigler ..... 52/646	D640,798 S	6/2011	Rassat
4,974,525 A	12/1990	Sheffield	8,371,088 B2	2/2013	Merrifield
D318,767 S	8/1991	Schneider et al.	D693,158 S *	11/2013	Jung et al. .... D6/682.3
D327,189 S	6/1992	McPherson et al.	8,590,716 B2	11/2013	Behjat
5,123,550 A *	6/1992	Nodskov et al. .... 211/189	8,616,328 B2	12/2013	Daraio et al.
5,143,214 A	9/1992	Freeland et al.	2001/0001199 A1	5/2001	Sabounjian
5,145,029 A	9/1992	Blasdell et al.	2004/0074858 A1	4/2004	Thuma et al.
5,146,635 A	9/1992	Gastle et al.	2005/0211652 A1	9/2005	Li
5,163,262 A	11/1992	Adams	2006/0055289 A1	3/2006	Wu
5,351,843 A *	10/1994	Wichman et al. .... 211/195	2007/0138119 A1	6/2007	Schwerdlin
			2007/0221598 A1	9/2007	Sabounjian
			2012/0204770 A1	8/2012	Grace

\* cited by examiner



**FIG. 1**



**FIG. 2**