



US00D708869S

(12) **United States Design Patent**
Mun

(10) **Patent No.:** **US D708,869 S**
(45) **Date of Patent:** **** Jul. 15, 2014**

(54) **CONVERTIBLE FITTED/FLAT BED SHEET**

(71) Applicant: **Yong C. Mun**, Henderson, NV (US)

(72) Inventor: **Yong C. Mun**, Henderson, NV (US)

(**) Term: **14 Years**

(21) Appl. No.: **29/485,948**

(22) Filed: **Mar. 25, 2014**

(51) **LOC (10) Cl.** **06-09**

(52) **U.S. Cl.**
USPC **D6/602**

(58) **Field of Classification Search**
CPC A47G 9/02; A47G 9/0207; A47G 9/0238;
A47G 9/0246
USPC D6/595, 596, 602, 603, 605; 5/482,
5/494-497, 499, 501
See application file for complete search history.

(56) **References Cited**

U.S. PATENT DOCUMENTS

1,327,824	A *	1/1920	Holland	5/497
2,598,141	A *	5/1952	Simpson	5/497
2,682,062	A *	6/1954	Cogan	5/496
2,757,389	A	8/1956	King		
3,381,320	A *	5/1968	Mott	5/658
3,694,832	A *	10/1972	Jamison	5/497
4,040,133	A *	8/1977	Gilreath	5/669
4,045,832	A *	9/1977	DiForti et al.	5/496
4,095,300	A	6/1978	Ruben		
4,651,371	A	3/1987	Hahn		
5,491,853	A	2/1996	Turnbull		
6,389,621	B1	5/2002	Elliott		
8,015,636	B2	9/2011	Bolish		
2009/0172881	A1	7/2009	Peterson		

* cited by examiner

Primary Examiner — Janice Seeger

(74) *Attorney, Agent, or Firm* — Quick Patents; Kevin Prince

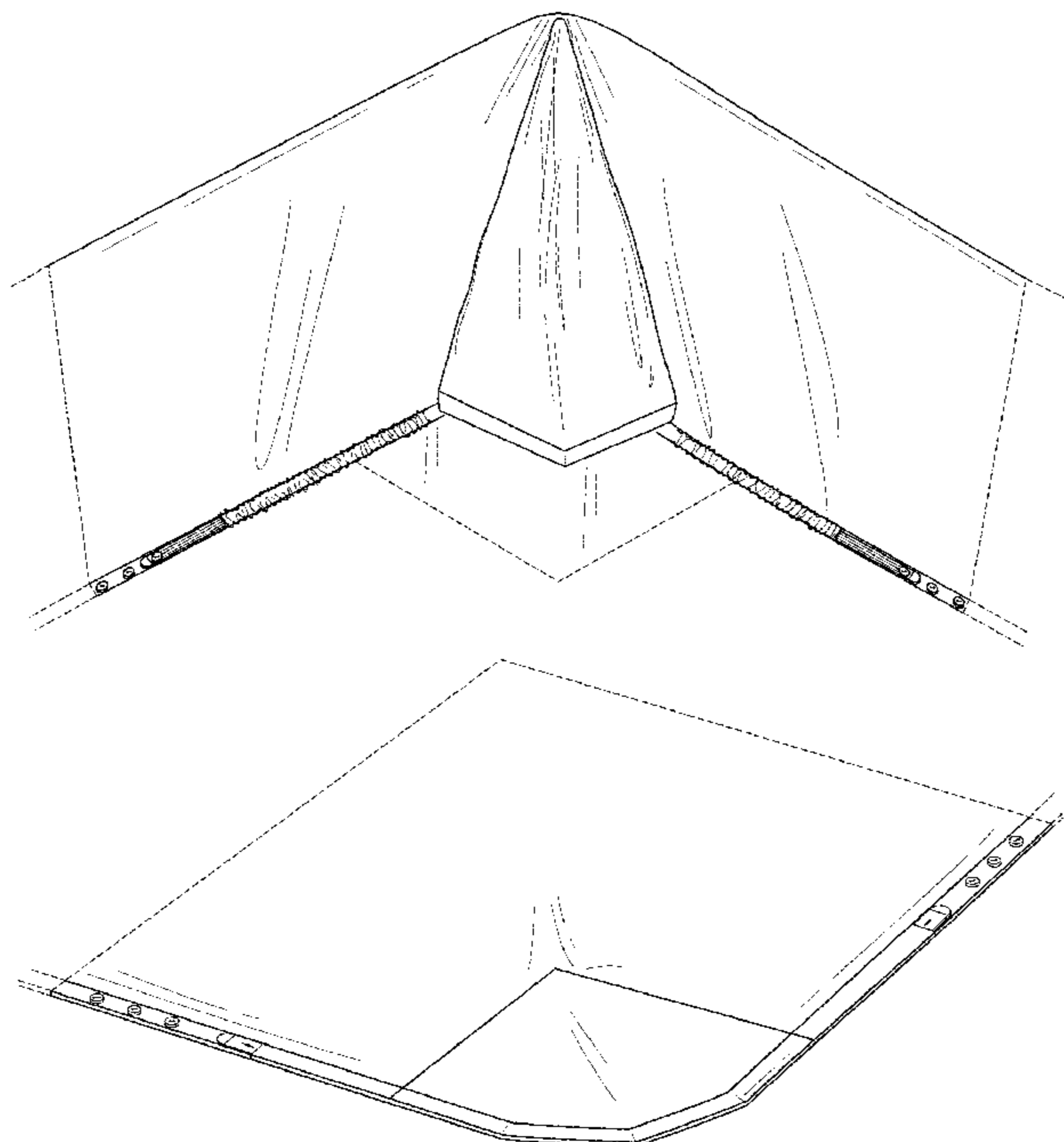
(57) **CLAIM**

I claim the ornamental design for an convertible fitted/flat bed sheet, as shown and described.

DESCRIPTION

FIG. 1 is a perspective view of a convertible fitted/flat sheet, showing my new design in a fitted sheet condition;
 FIG. 2 is a top front perspective view showing the design in flat sheet condition;
 FIG. 3 is a bottom front perspective view thereof;
 FIG. 4 is a top plan view thereof;
 FIG. 5 is a bottom plan view thereof;
 FIG. 6 is a front elevational view, the left side being a mirror image thereof;
 FIG. 7 is a rear elevational view, the right side being a mirror image thereof;
 FIG. 8 is a perspective view of a convertible fitted/flat sheet, showing an alternate embodiment of my new design in a fitted sheet condition;
 FIG. 9 is a top front perspective view showing the design in flat sheet condition;
 FIG. 10 is a bottom front perspective view thereof;
 FIG. 11 is a top plan view thereof;
 FIG. 12 is a bottom plan view thereof;
 FIG. 13 is a front elevational view, the left side being a mirror image thereof; and,
 FIG. 14 is a rear elevational view, the right side being a mirror image thereof.
 The broken lines showing additional portions of the convertible bed sheet in the drawings form no part of the claimed design.

1 Claim, 4 Drawing Sheets



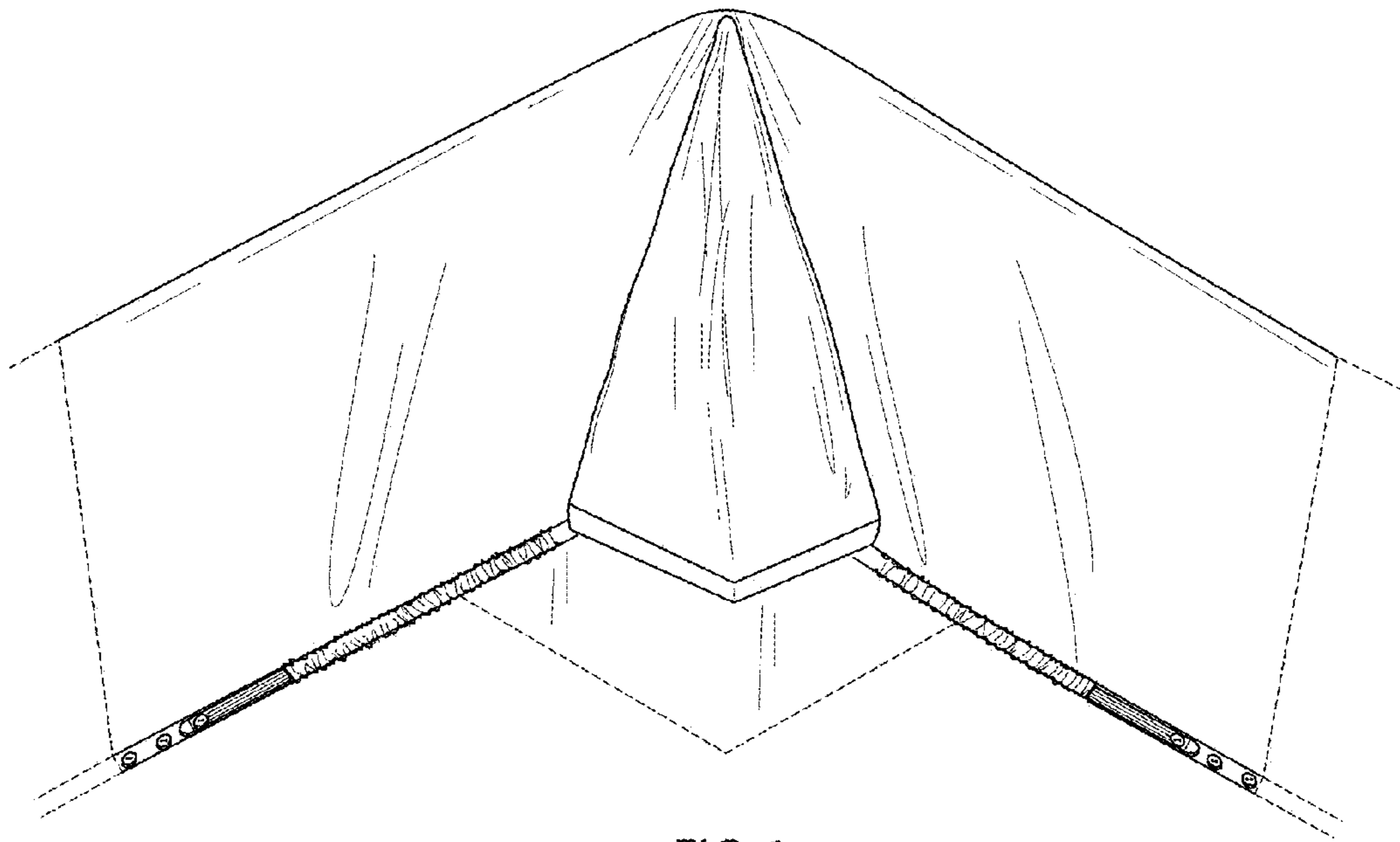


FIG. 1

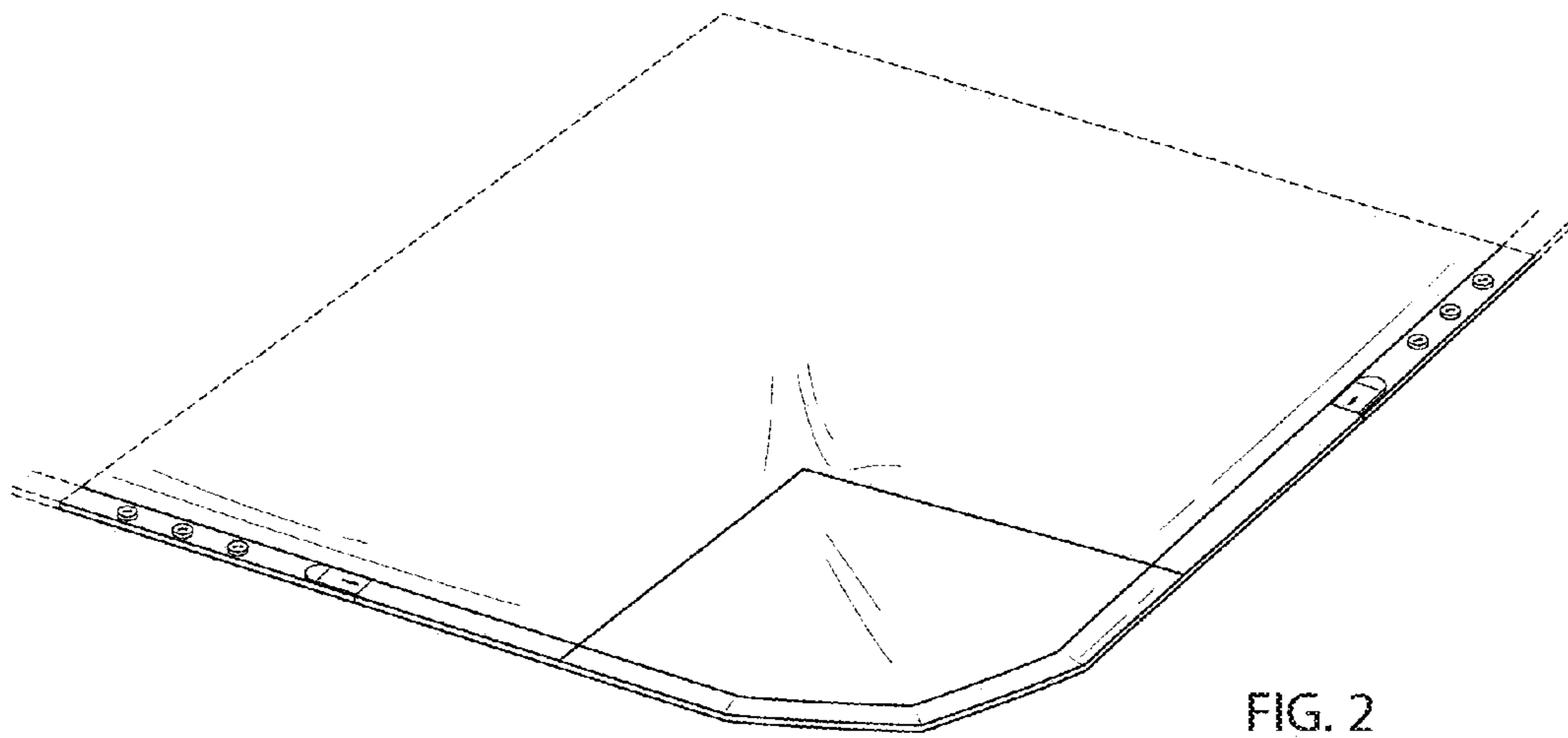


FIG. 2

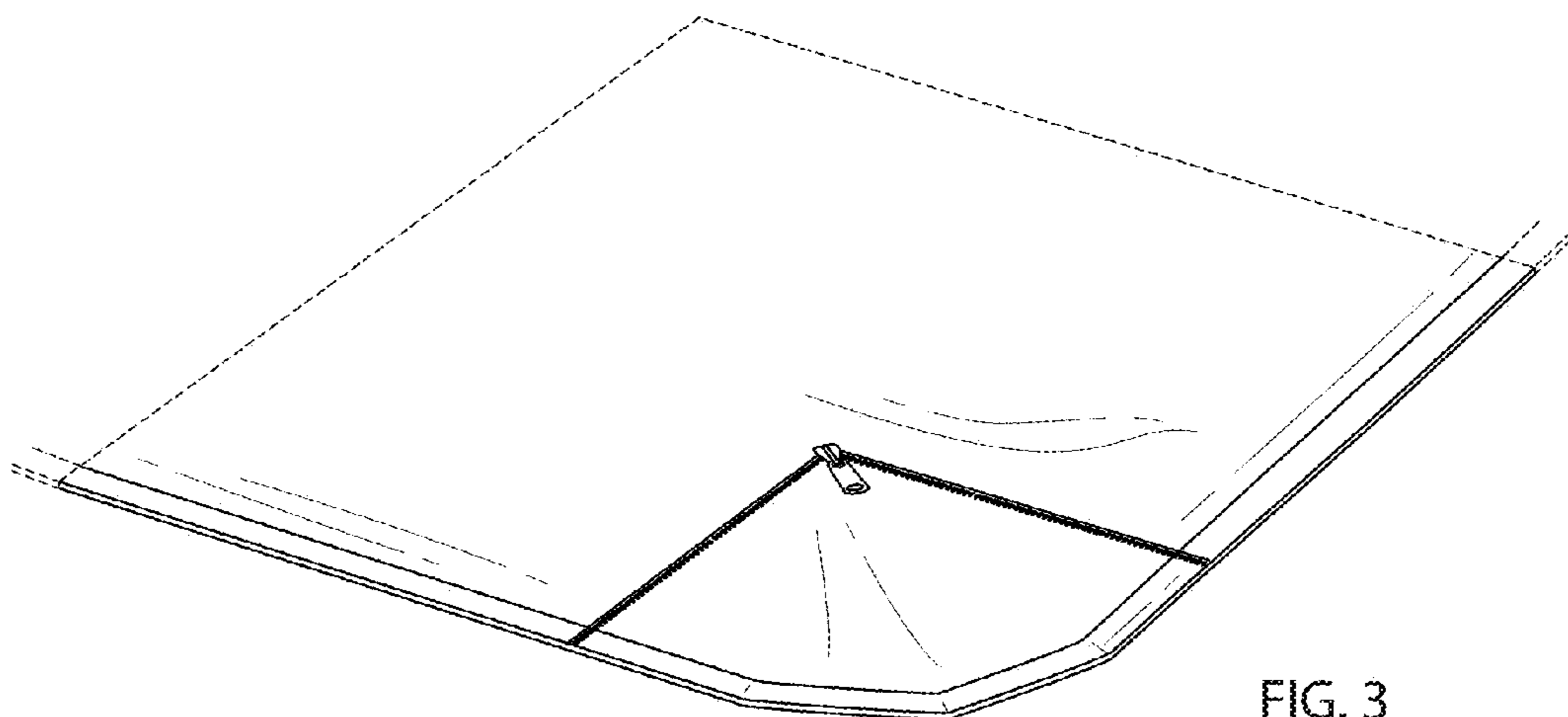


FIG. 3

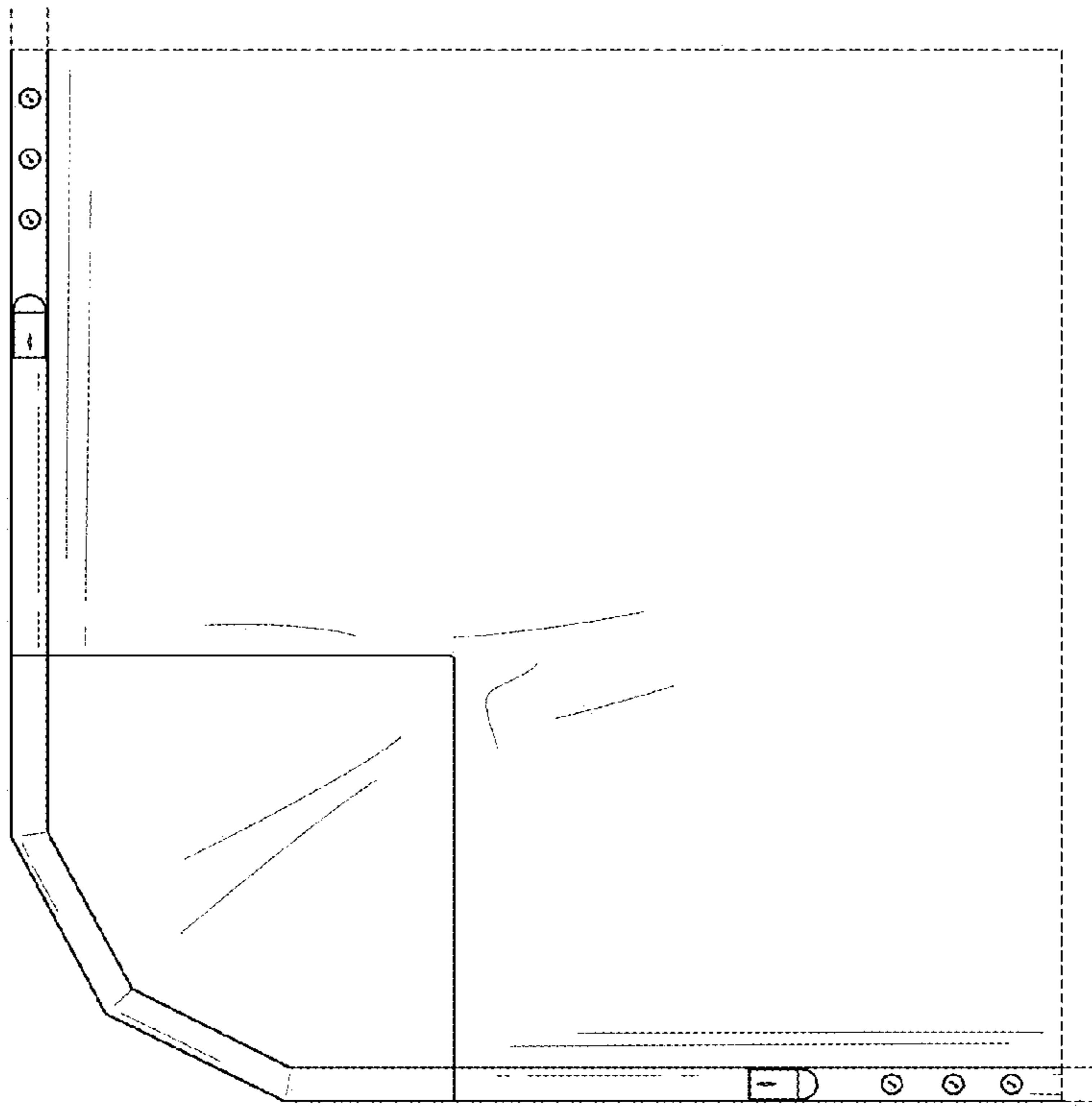


FIG. 4

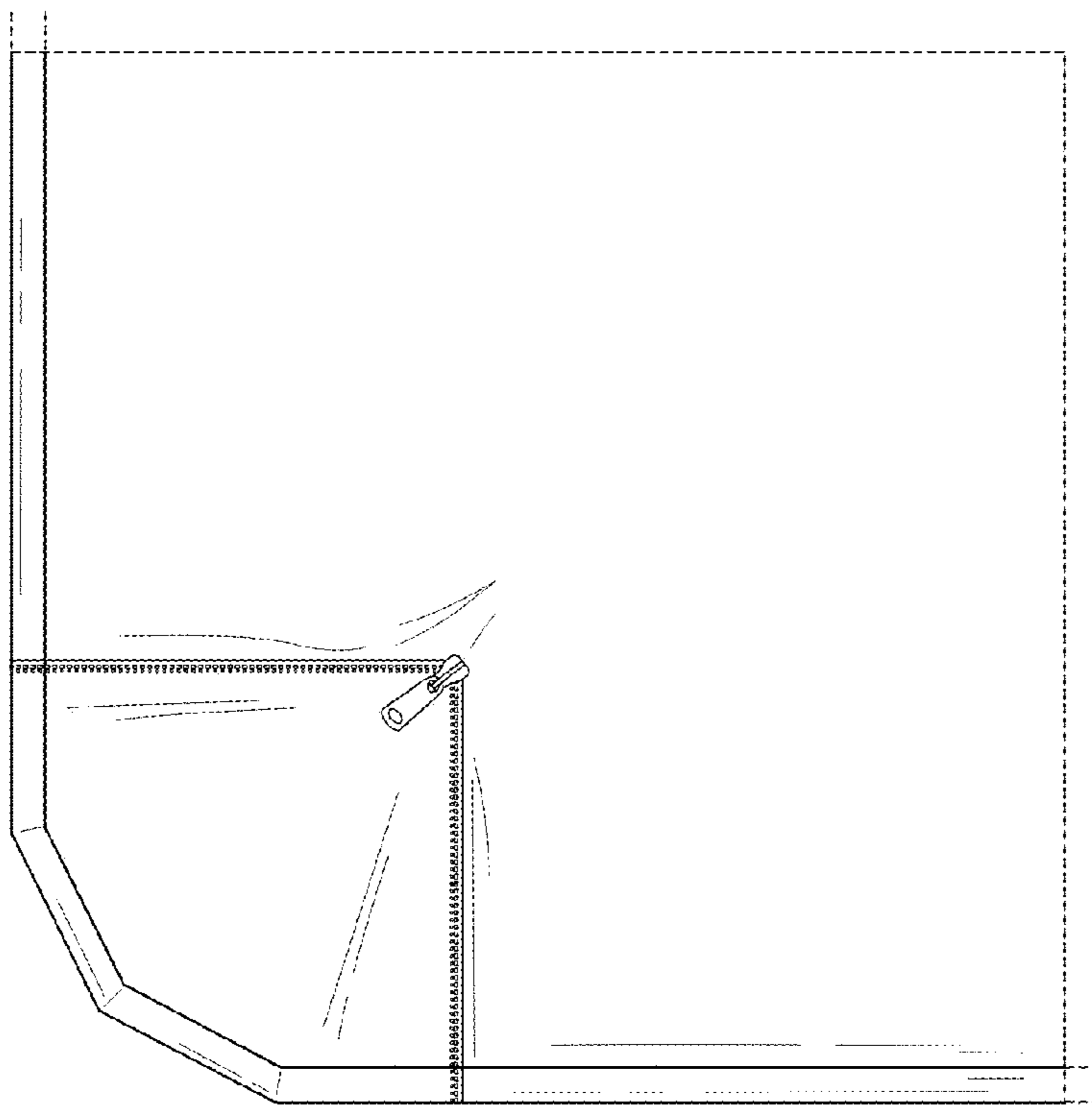


FIG. 5



FIG. 6

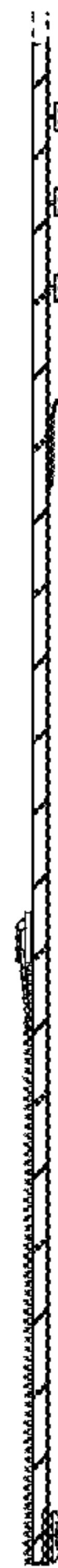


FIG. 7

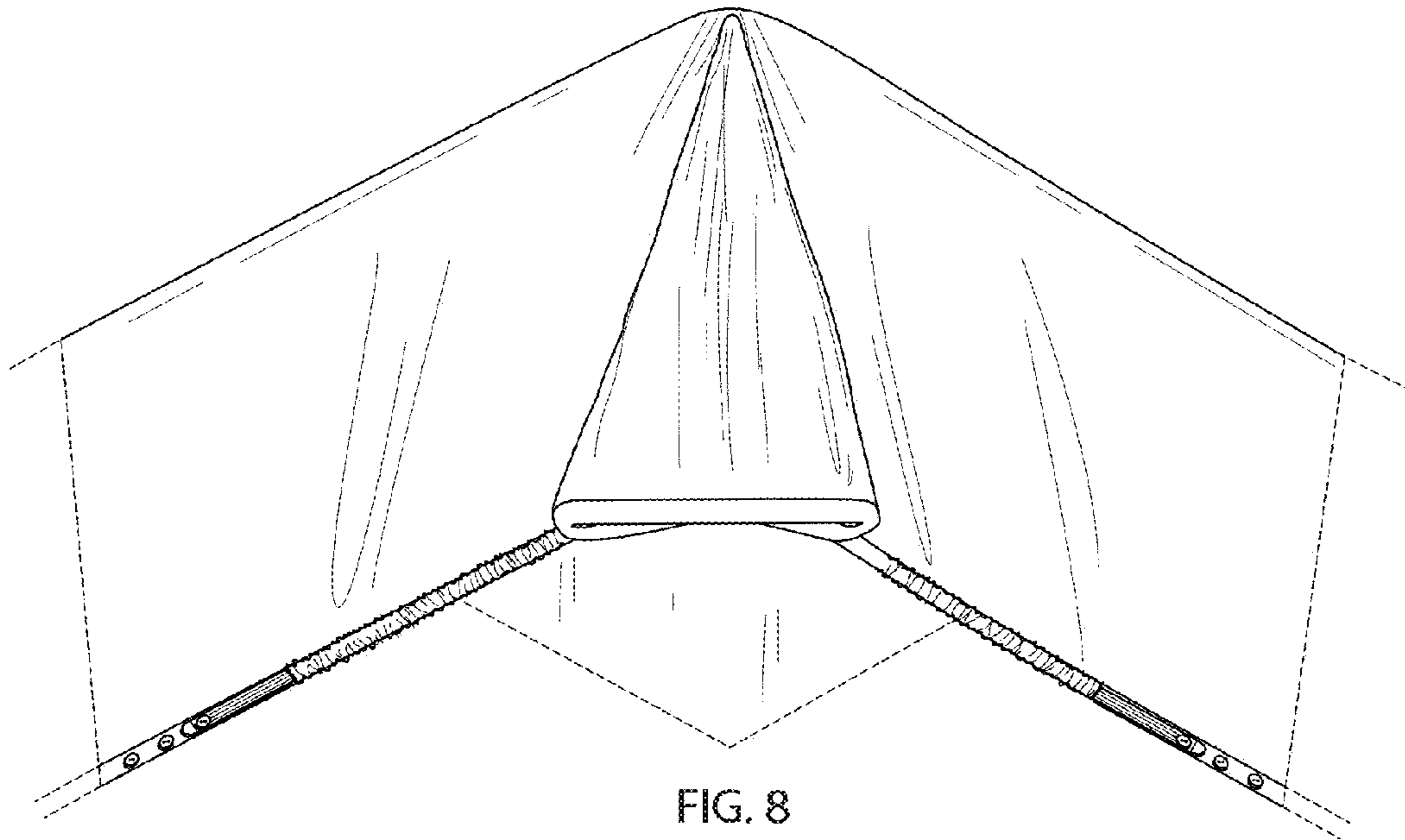


FIG. 8

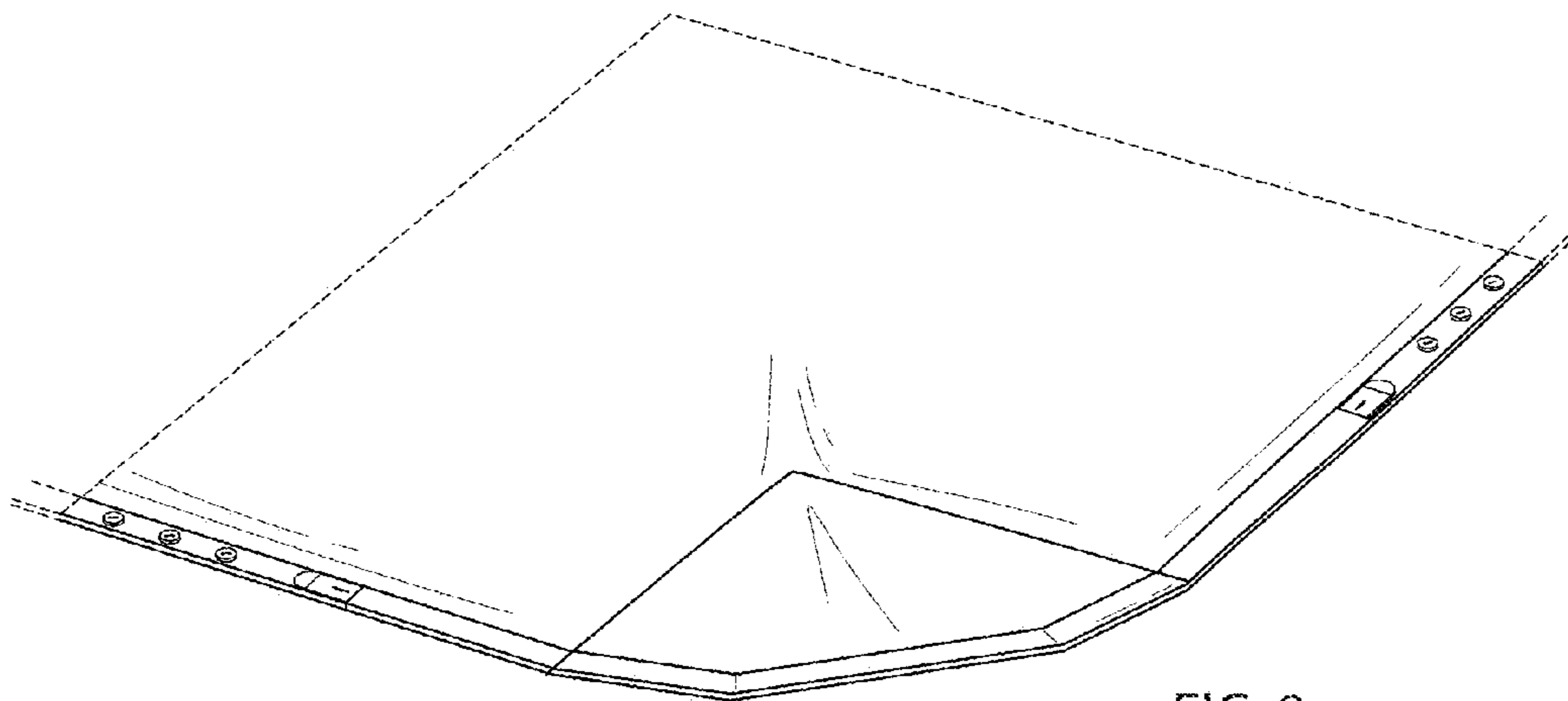


FIG. 9

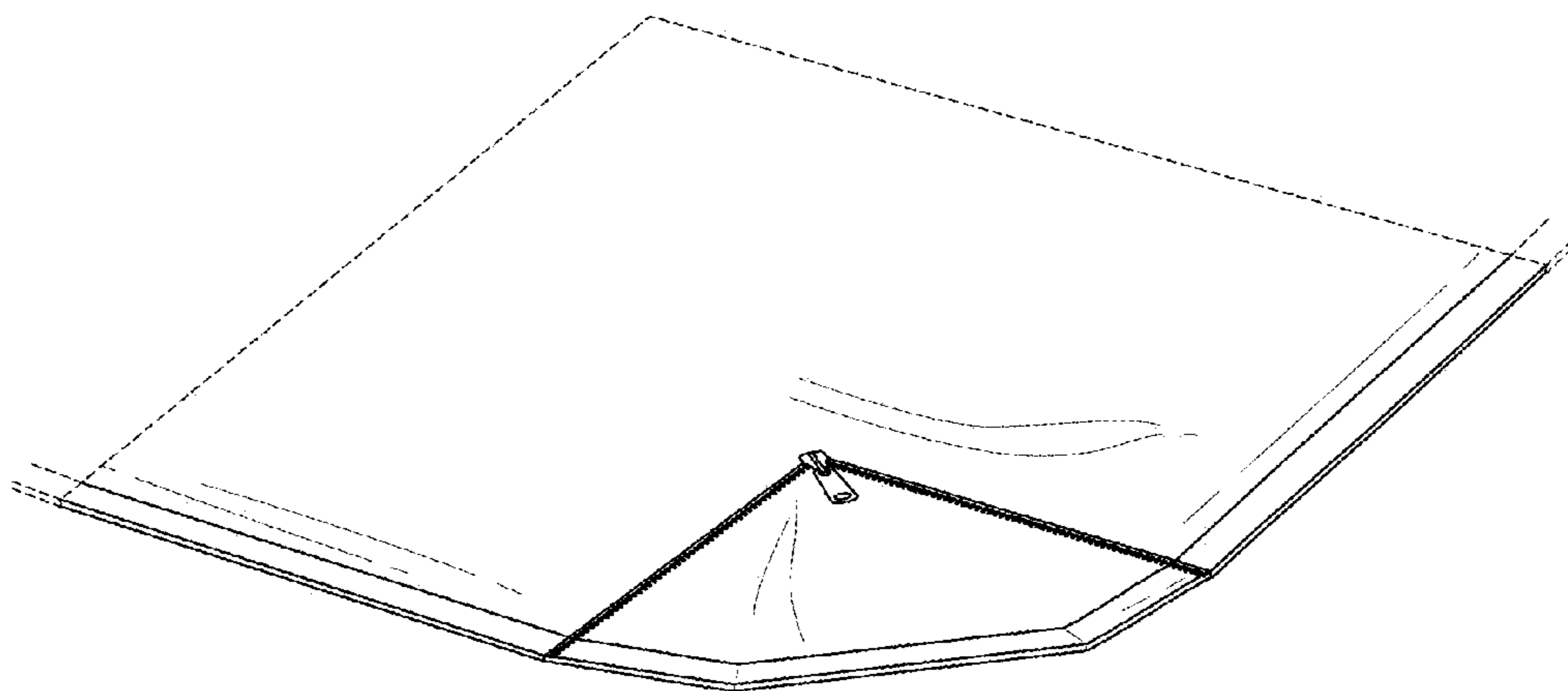


FIG. 10

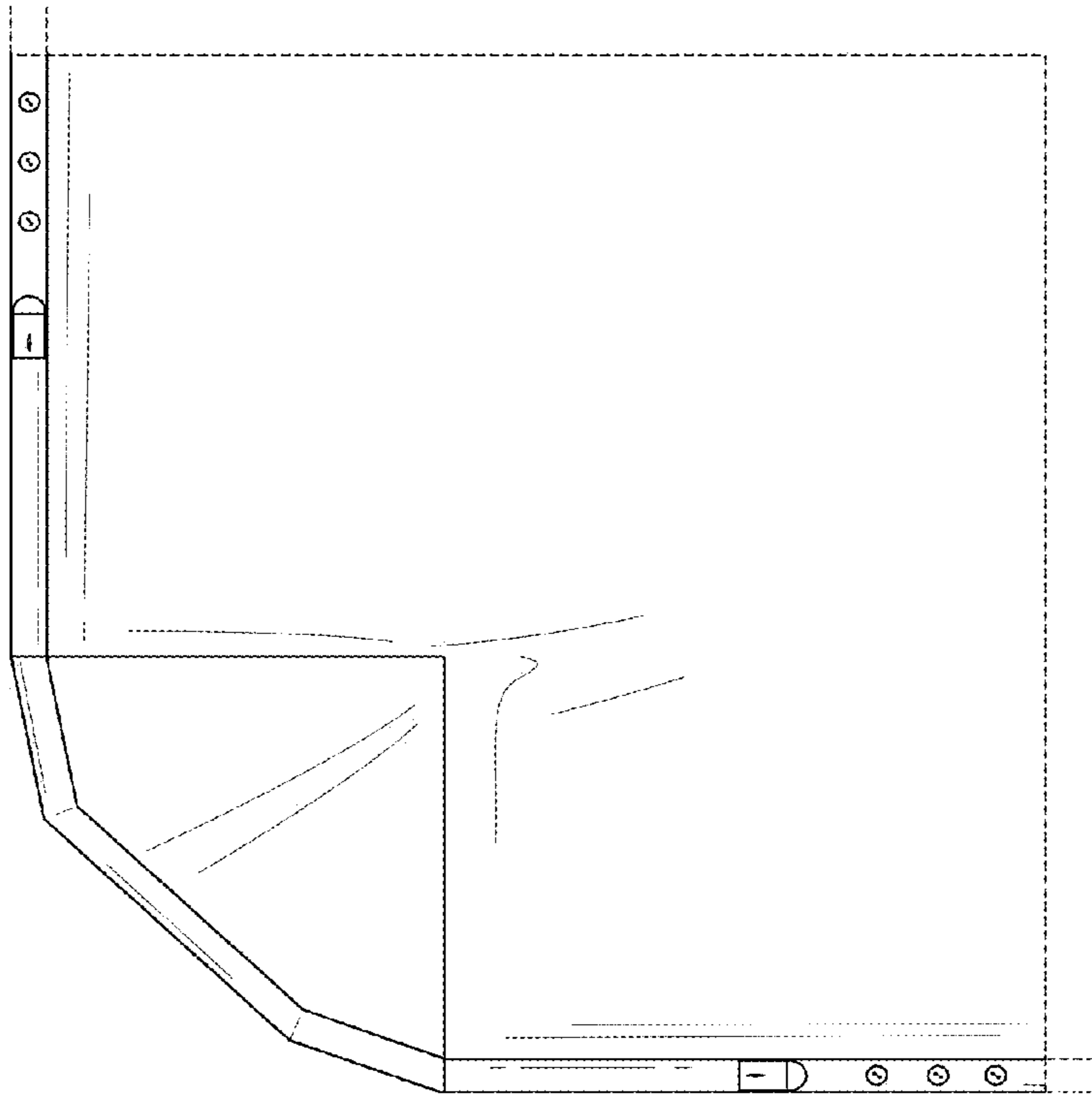


FIG. 11

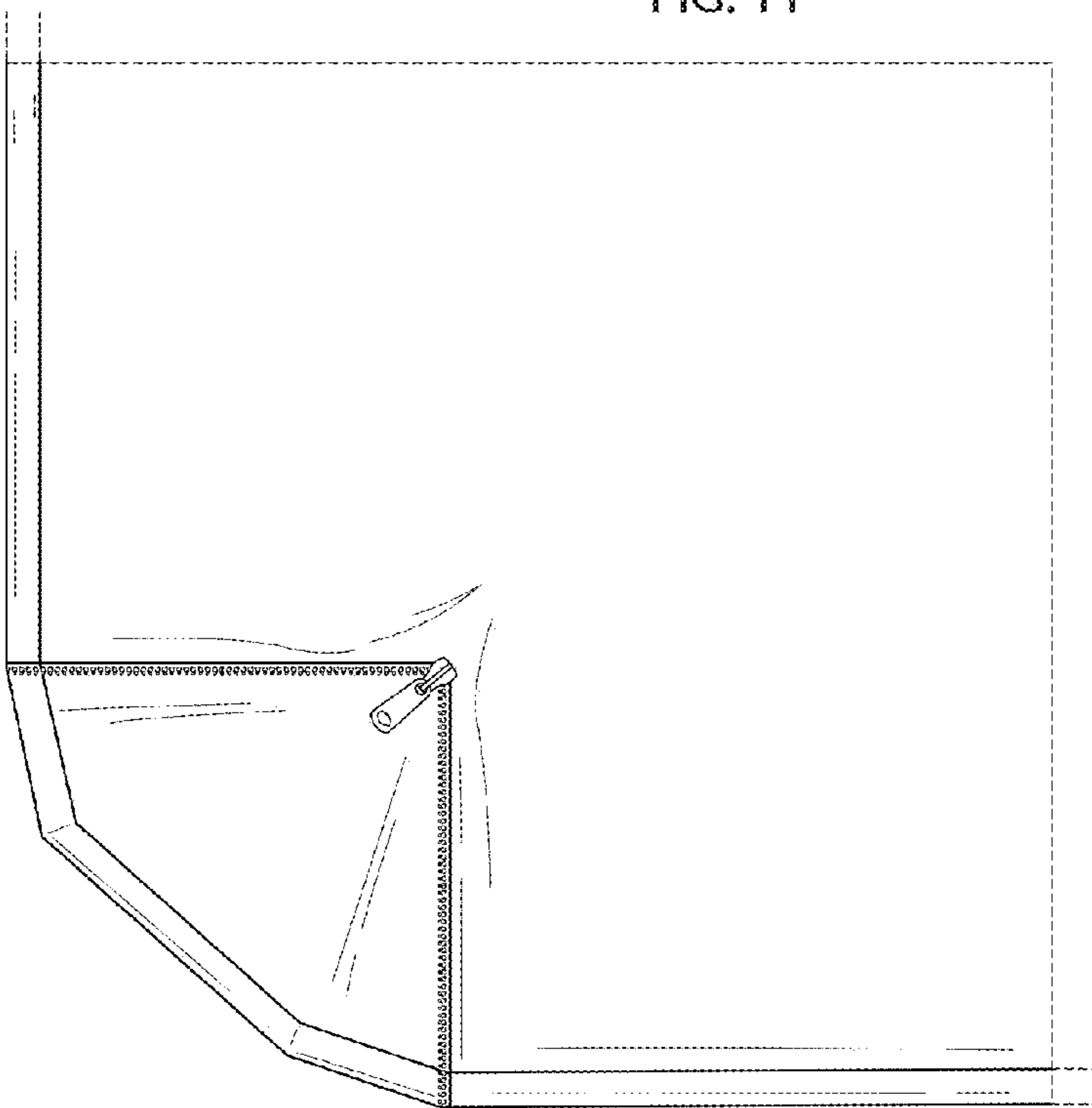


FIG. 12

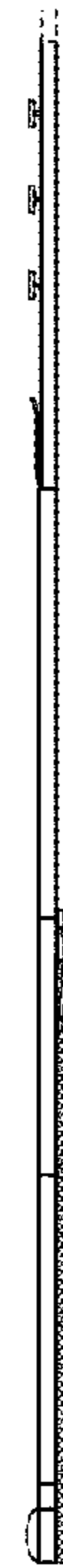


FIG. 13



FIG. 14